



US00D619748S

(12) **United States Design Patent**  
**Jong**

(10) **Patent No.:** **US D619,748 S**

(45) **Date of Patent:** **\*\* Jul. 13, 2010**

(54) **STREET LIGHT**

(75) Inventor: **Cheng-Chao Jong**, Taoyuan (TW)

(73) Assignee: **Jenn Feng New Energy Co., Ltd.**,  
Taoyuan (TW)

(\*\*) Term: **14 Years**

(21) Appl. No.: **29/342,567**

(22) Filed: **Aug. 27, 2009**

(51) **LOC (9) Cl.** ..... **26-05**

(52) **U.S. Cl.** ..... **D26/71**

(58) **Field of Classification Search** ..... D26/67-71,  
D26/85, 92; 362/145, 183, 249.02, 249.03,  
362/249.04, 249.06, 249.16, 231, 431  
See application file for complete search history.

(56) **References Cited**

**U.S. PATENT DOCUMENTS**

D573,292 S *	7/2008	Zheng et al.	.....	D26/71
D578,697 S *	10/2008	Zheng et al.	.....	D26/71
D598,598 S *	8/2009	Zhou et al.	.....	D26/68
D609,839 S *	2/2010	Wang et al.	.....	D26/71
D610,287 S *	2/2010	Gill	.....	D26/71
7,695,163 B2 *	4/2010	Yamada et al.	.....	362/294
D615,233 S *	5/2010	Josefowicz et al.	.....	D26/71

D615,235 S *	5/2010	Zheng	.....	D26/71
2009/0034257 A1 *	2/2009	Liu et al.	.....	362/252
2009/0185374 A1 *	7/2009	Wu et al.	.....	362/249.06
2009/0251898 A1 *	10/2009	Kinnune et al.	.....	362/249.02
2009/0262533 A1 *	10/2009	Liu et al.	.....	362/249.02
2010/0002438 A1 *	1/2010	Zhang et al.	.....	362/249.02

\* cited by examiner

*Primary Examiner*—Clare E Heflin

(74) *Attorney, Agent, or Firm*—Rabin & Berdo P.C.

(57) **CLAIM**

The ornamental design for a street light, as shown and described.

**DESCRIPTION**

FIG. 1 is a perspective view of a street light showing our new design;

FIG. 2 is a front elevational view thereof;

FIG. 3 is a rear elevational view thereof;

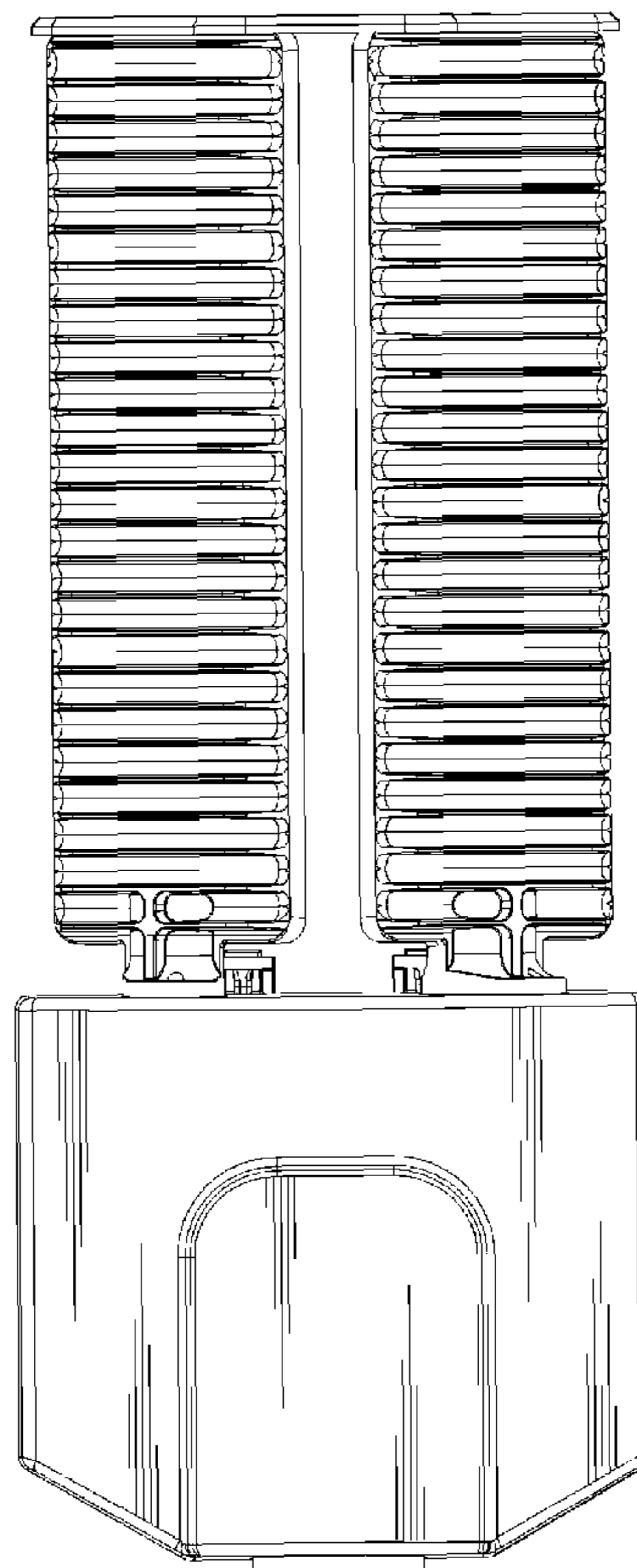
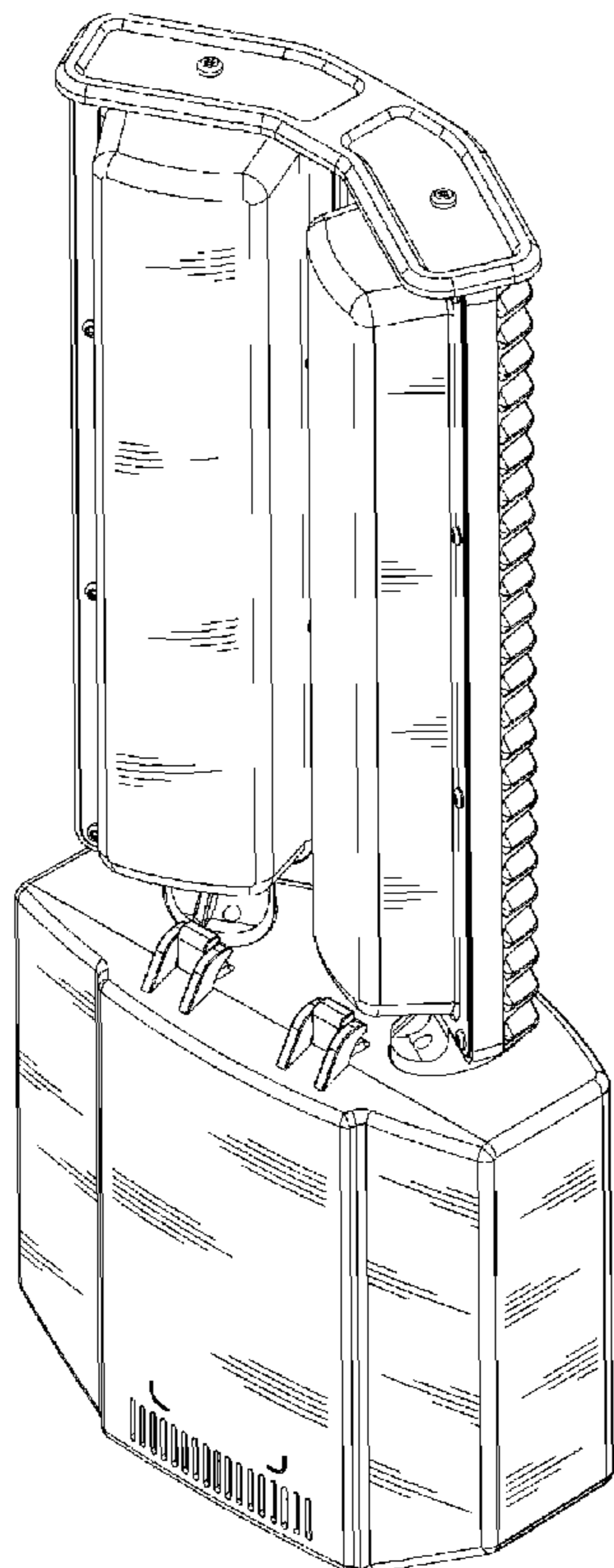
FIG. 4 is a left side elevational view thereof;

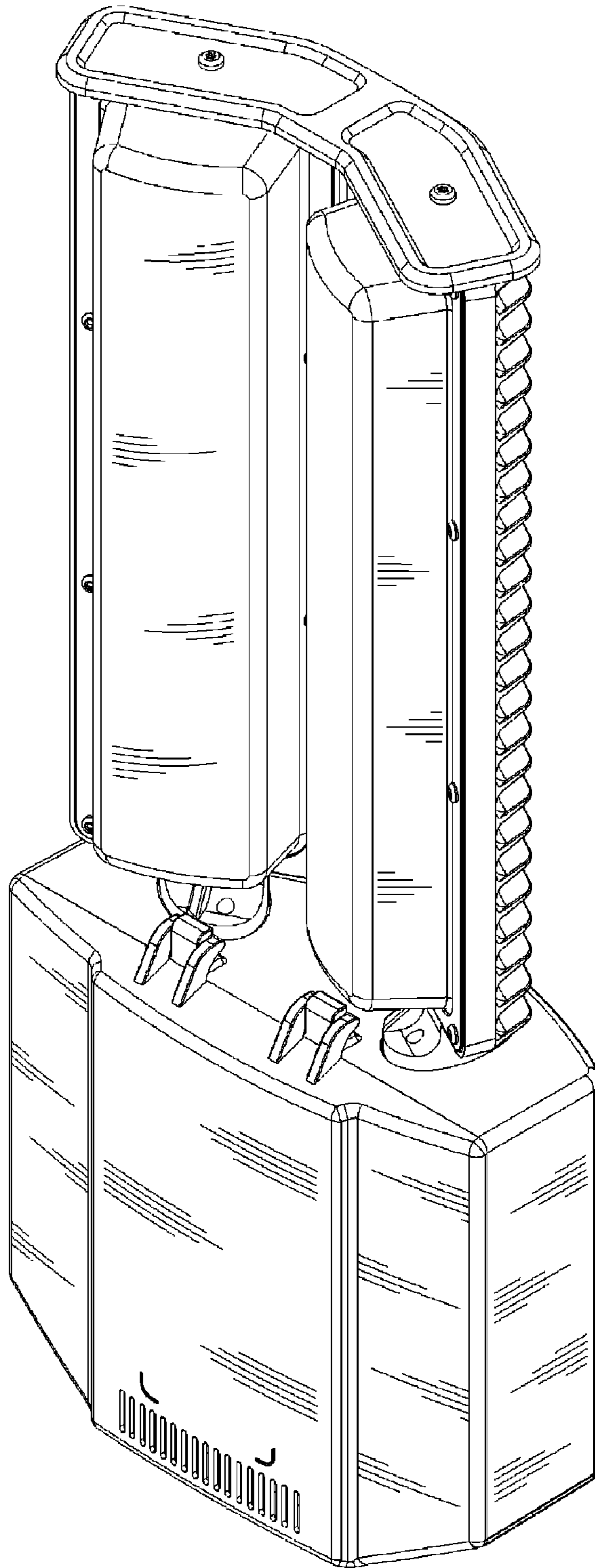
FIG. 5 is a right side elevational view thereof;

FIG. 6 is a top view thereof; and,

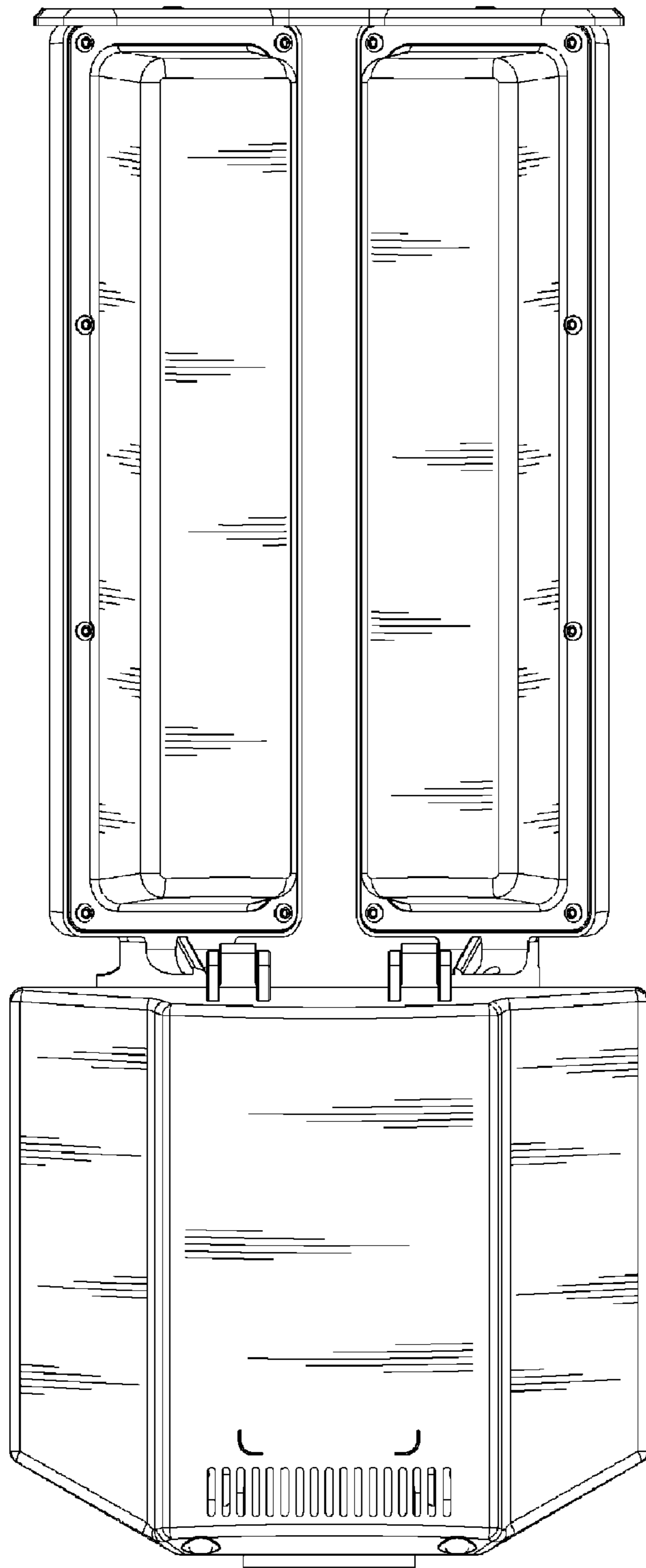
FIG. 7 is a bottom view thereof.

**1 Claim, 7 Drawing Sheets**

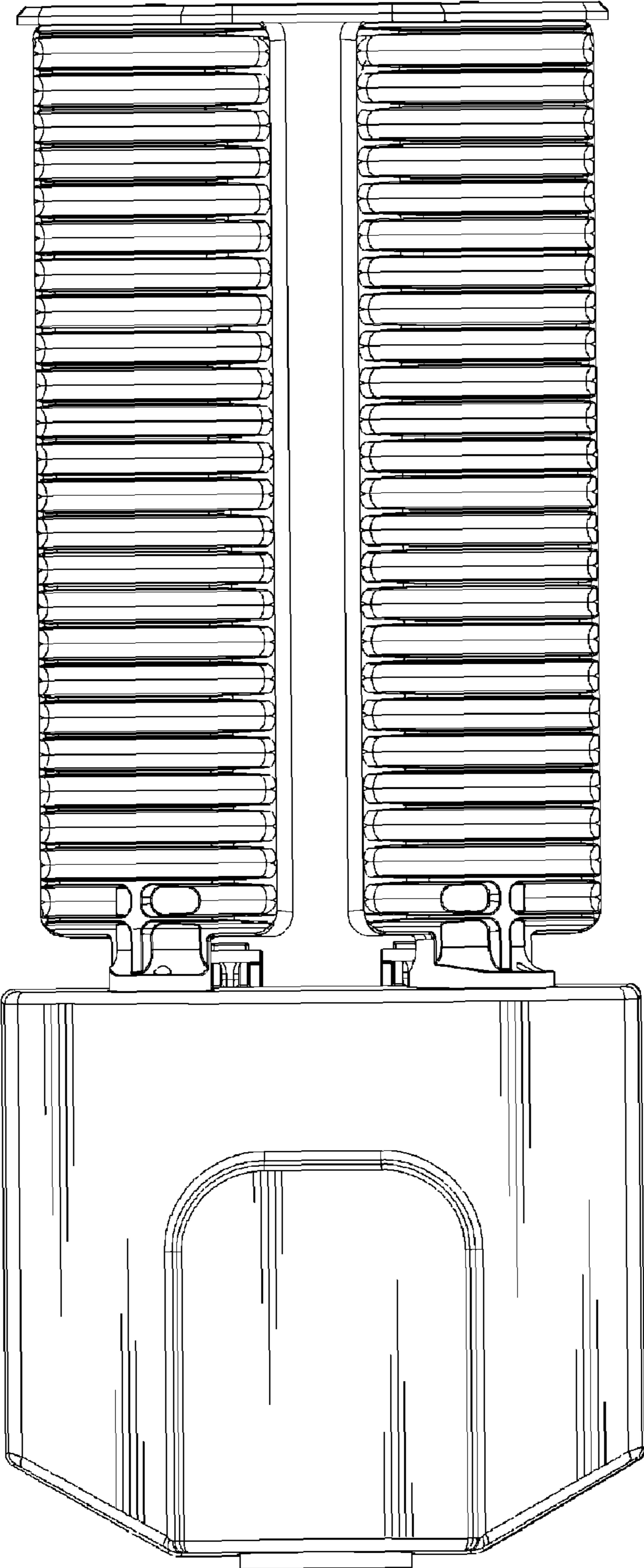




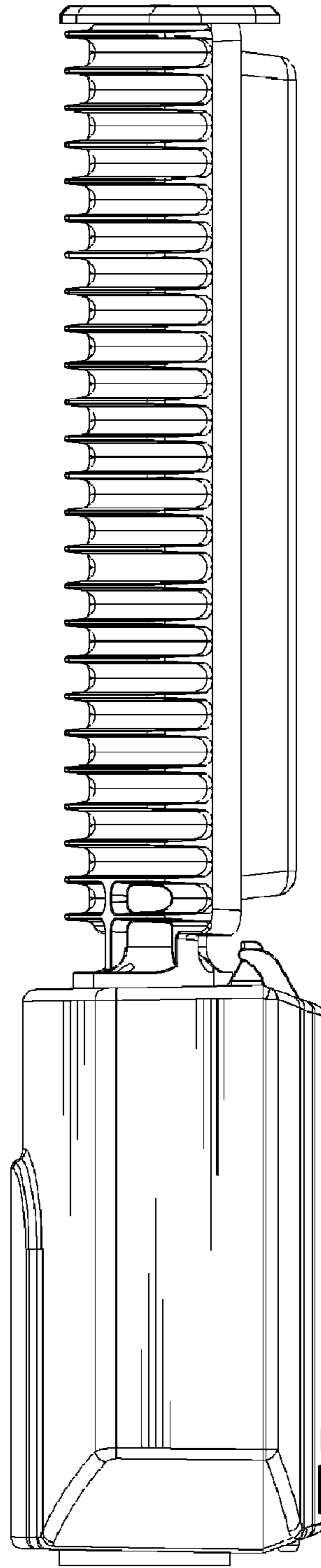
**FIG. 1**



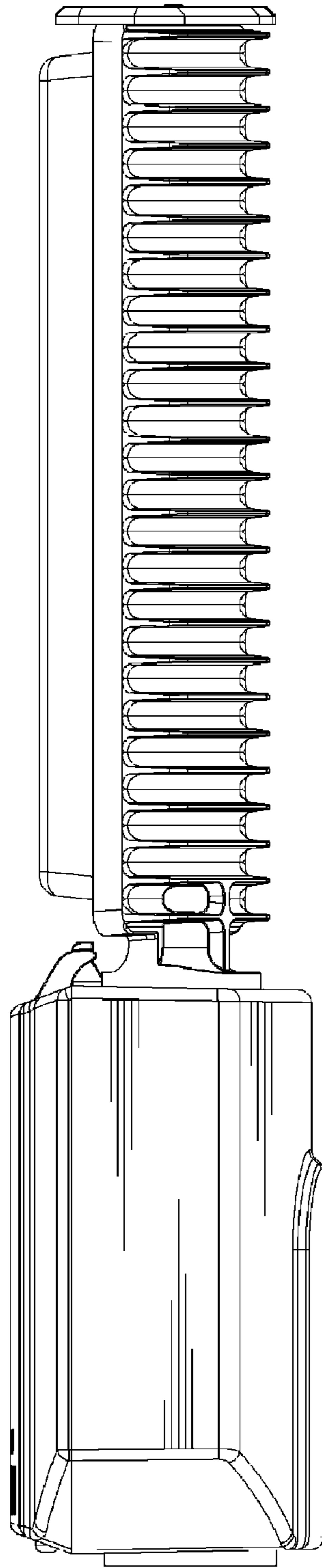
**FIG. 2**



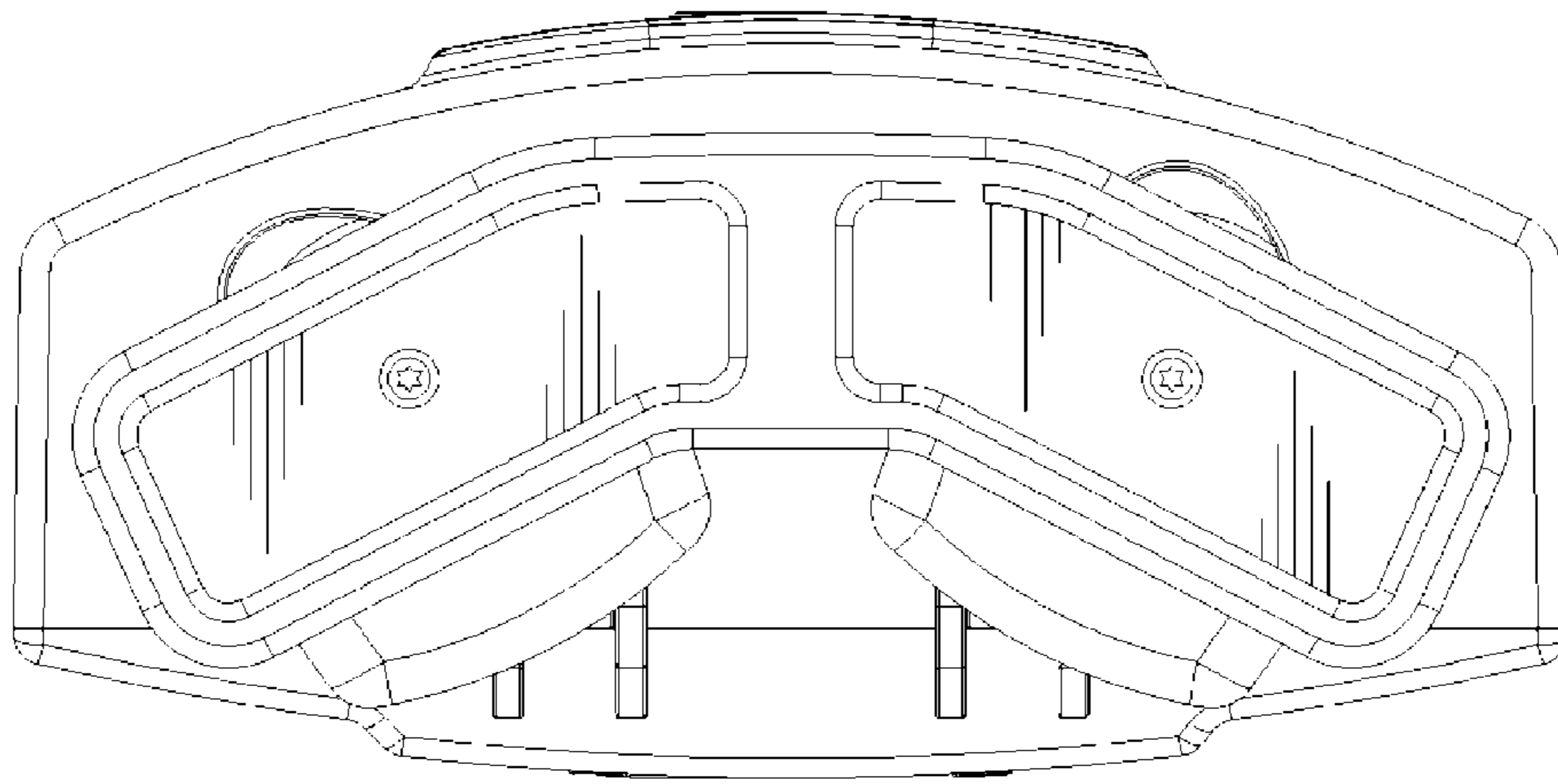
**FIG. 3**



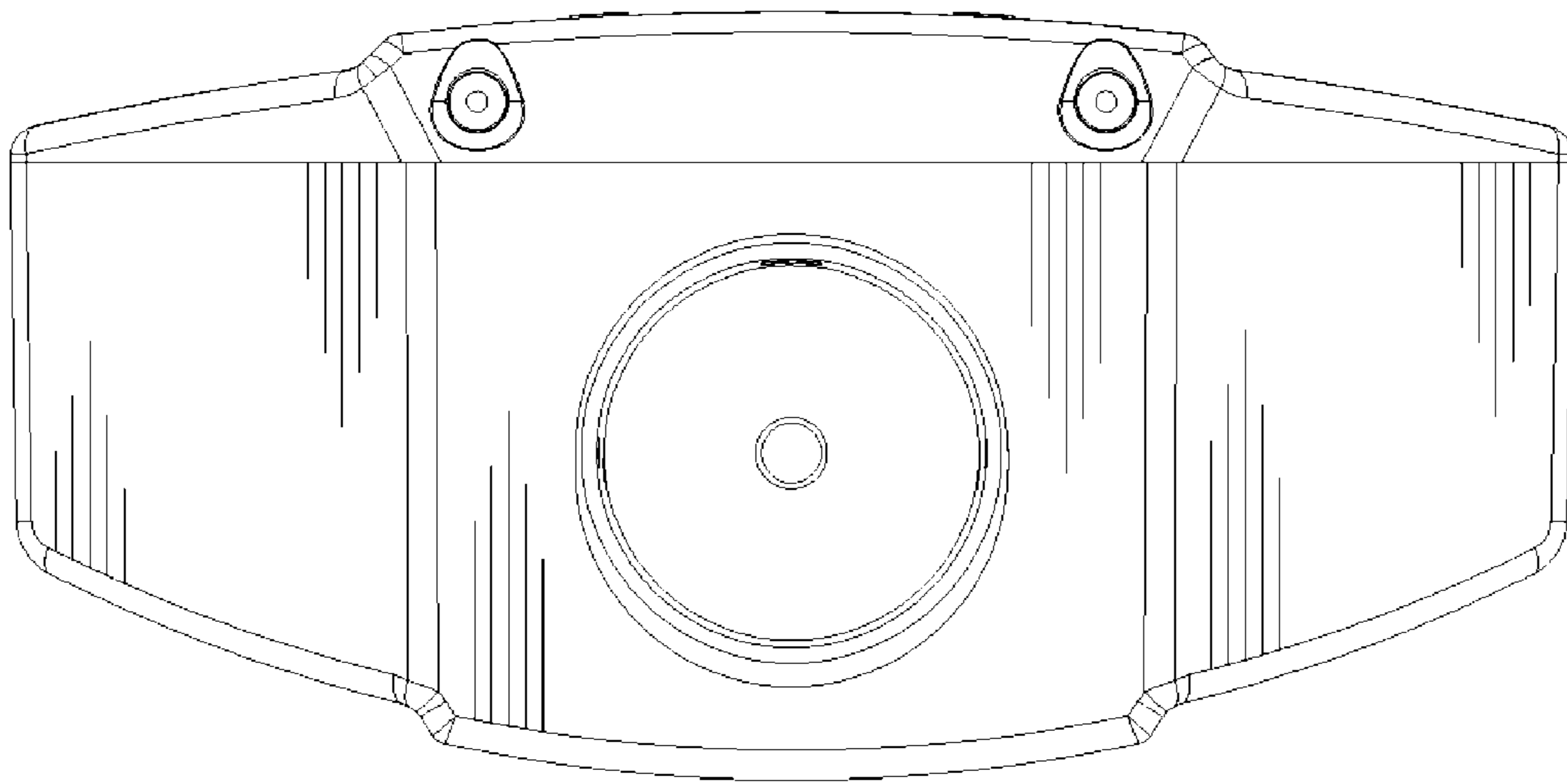
**FIG. 4**



**FIG. 5**



**FIG. 6**



**FIG. 7**