



US00D619745S

(12) **United States Design Patent**
Kung

(10) **Patent No.:** **US D619,745 S**
(45) **Date of Patent:** **** Jul. 13, 2010**

(54) **LAMP UNIT**

(75) Inventor: **Kenneth Kung**, Columbus, OH (US)

(73) Assignee: **Dorcy International Inc.**, Columbus

(**) Term: **14 Years**

(21) Appl. No.: **29/327,446**

(22) Filed: **Nov. 5, 2008**

(51) **LOC (9) Cl.** **26-05**

(52) **U.S. Cl.** **D26/61**

(58) **Field of Classification Search** D26/8,
D26/37, 40, 61-66, 70, 93, 104; 362/410-414,
362/431, 450, 372, 285, 270, 162; D23/332
See application file for complete search history.

(56) **References Cited**

U.S. PATENT DOCUMENTS

D452,301 S	*	12/2001	Schwartz et al.	D23/328
D465,044 S	*	10/2002	Hsieh	D26/40
D468,040 S	*	12/2002	Krieger et al.	D26/40
D468,466 S	*	1/2003	Krieger et al.	D26/40
D486,211 S	*	2/2004	Chan et al.	D23/332

D588,302 S	*	3/2009	Chen	D26/93
D589,206 S	*	3/2009	Sabernig	D26/110
D606,236 S	*	12/2009	Sabernig	D26/93

* cited by examiner

Primary Examiner—Mitchell I Siegel

(57) **CLAIM**

The ornamental design for a lamp unit, as shown.

DESCRIPTION

FIG. 1 is a front elevational view of a lamp unit showing my new design;

FIG. 2 is a rear elevational view thereof;

FIG. 3 is a left side view thereof;

FIG. 4 is a right side view thereof;

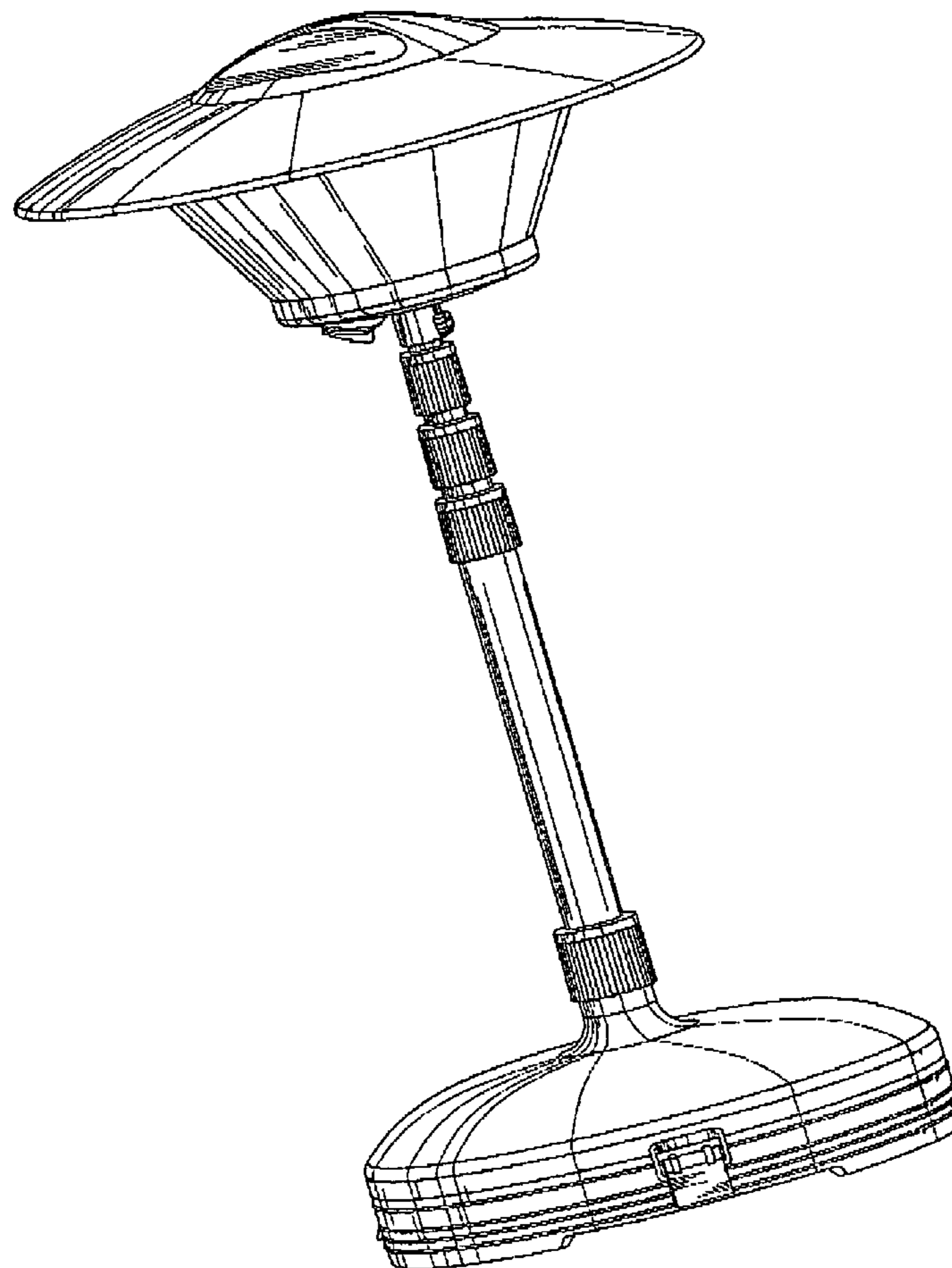
FIG. 5 is a top plan view thereof;

FIG. 6 is a bottom plan view thereof;

FIG. 7 is a perspective view thereof; and,

FIG. 8 is a front elevational view showing the post of the lamp unit being stretched.

1 Claim, 8 Drawing Sheets



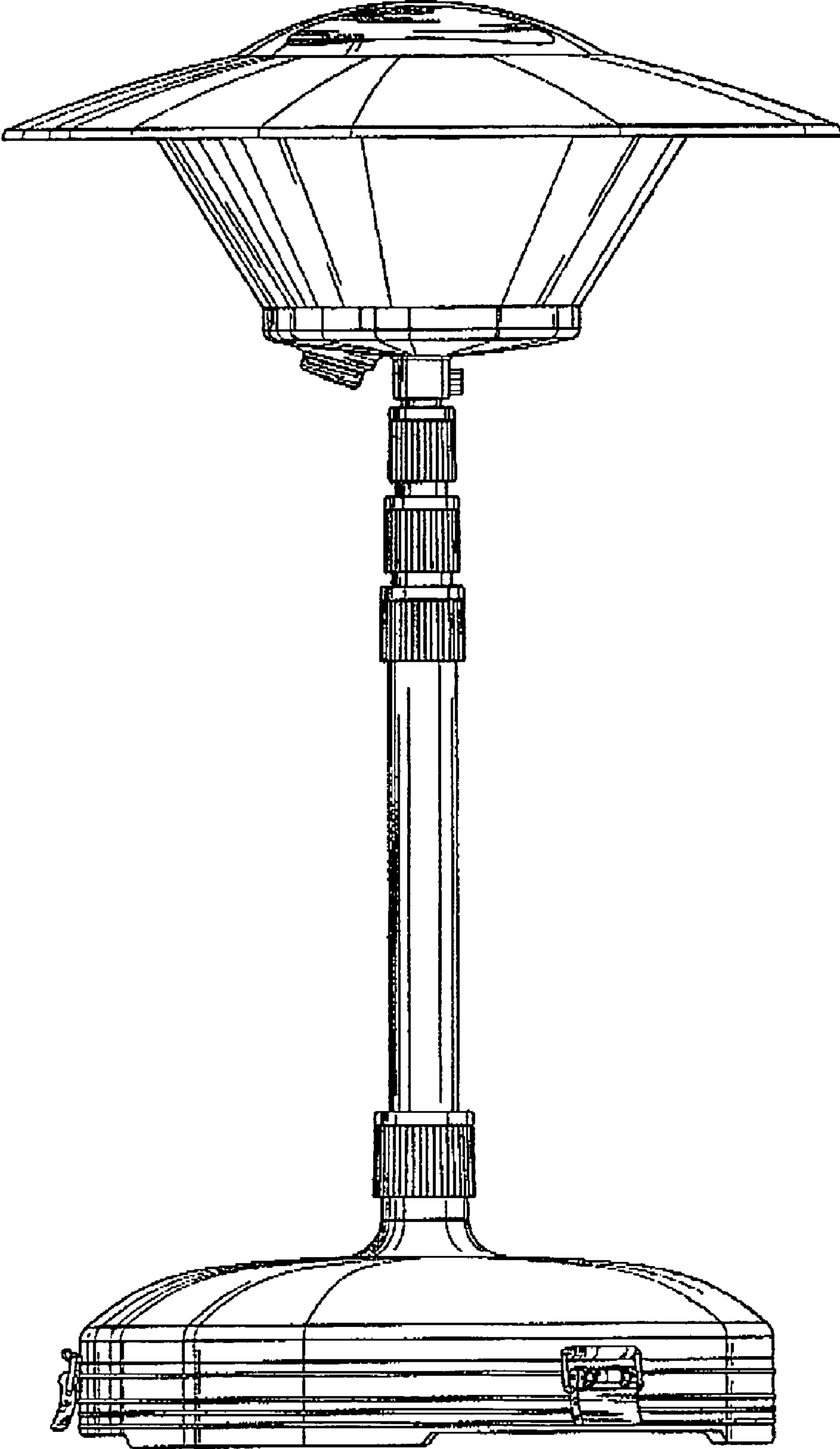


FIG. 1

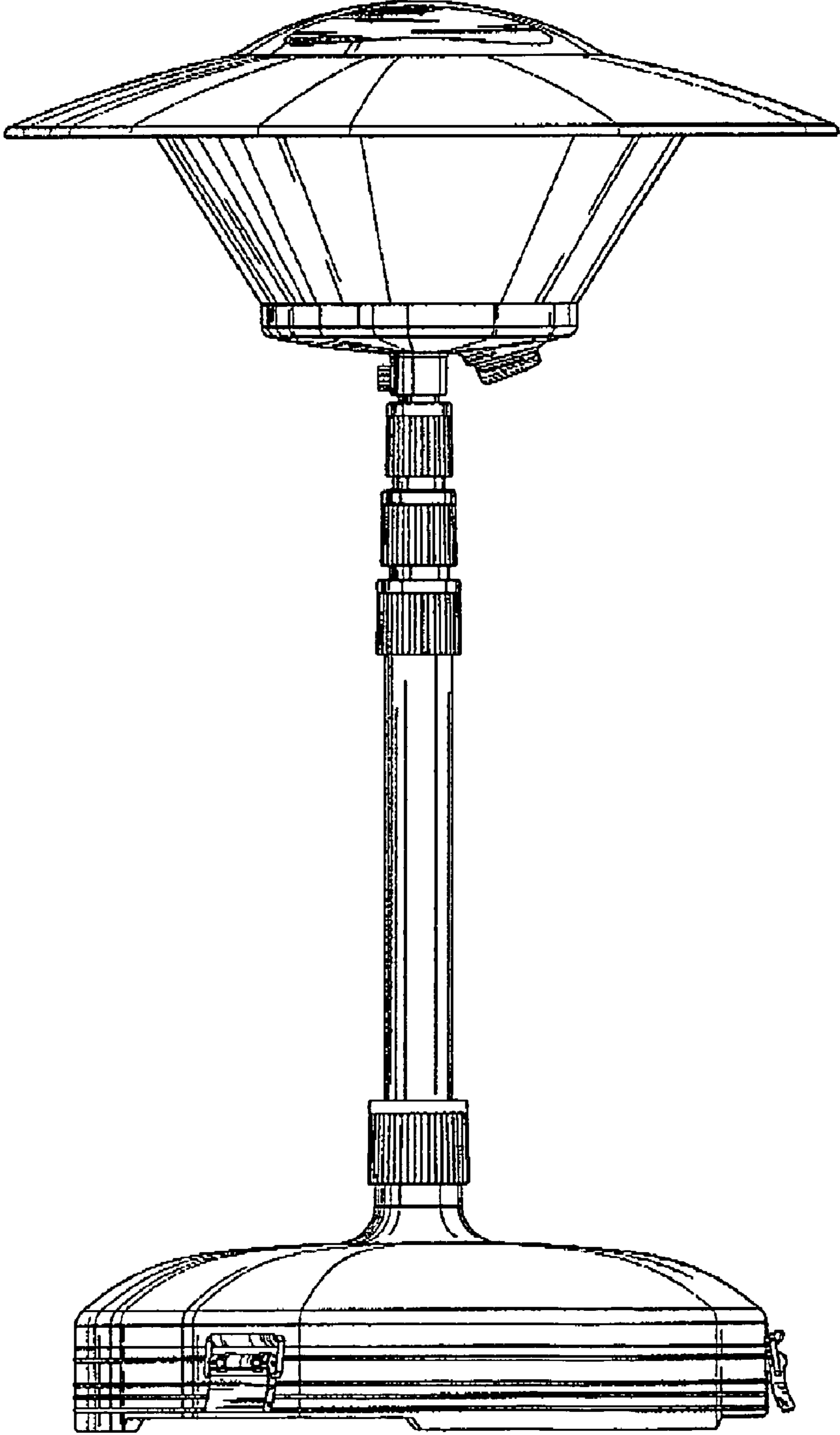


FIG 2

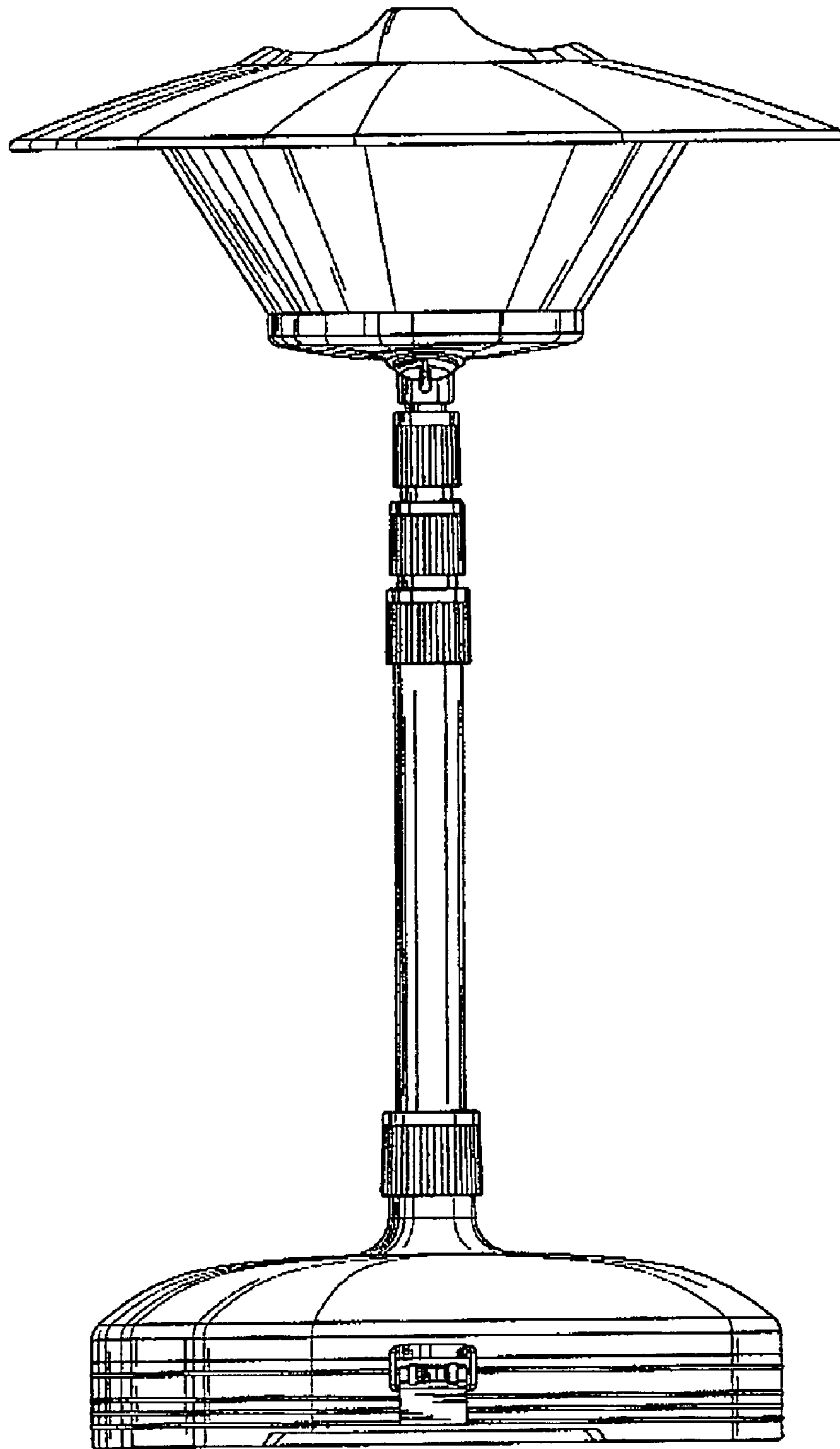


FIG. 3

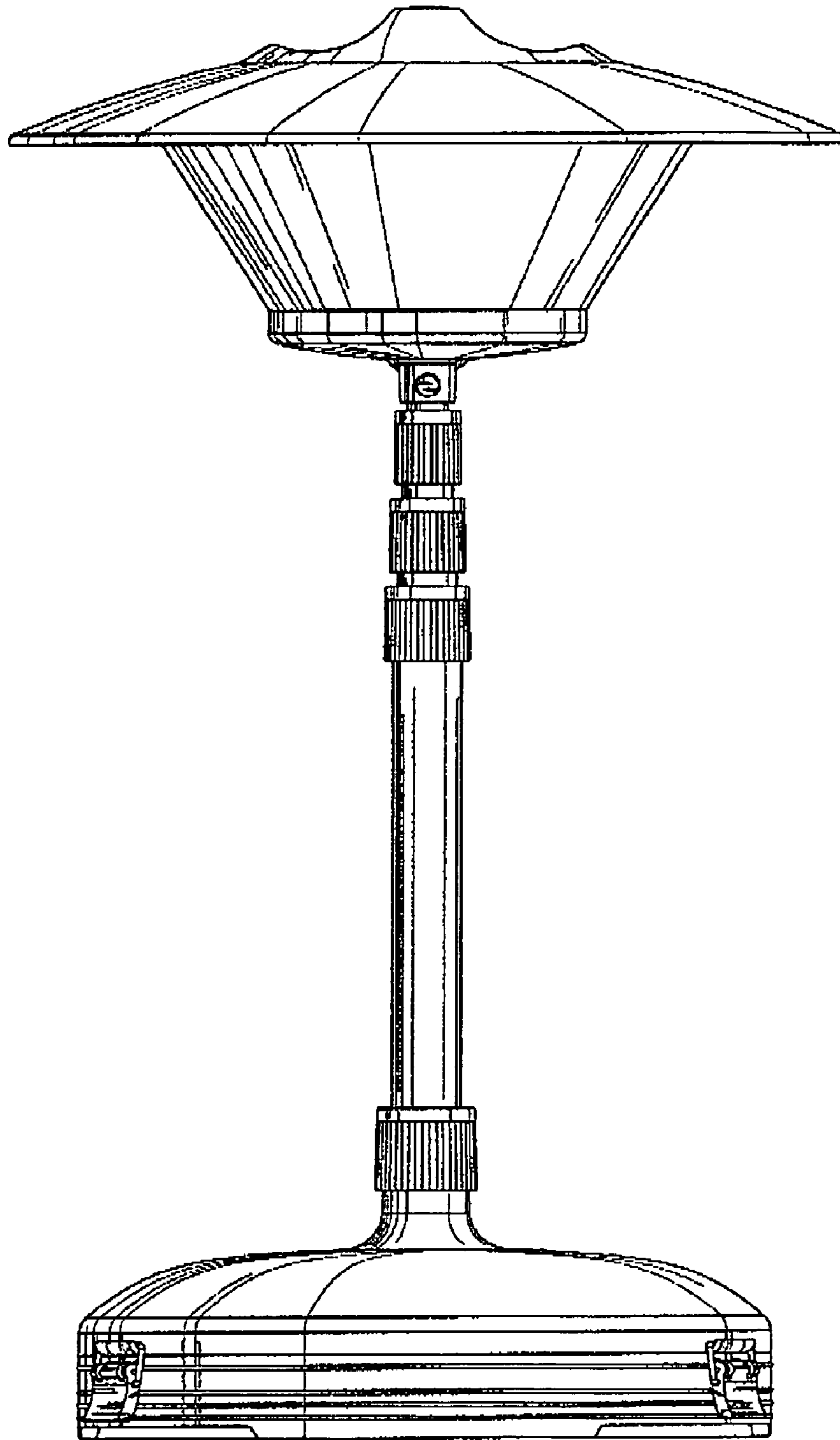


FIG. 4

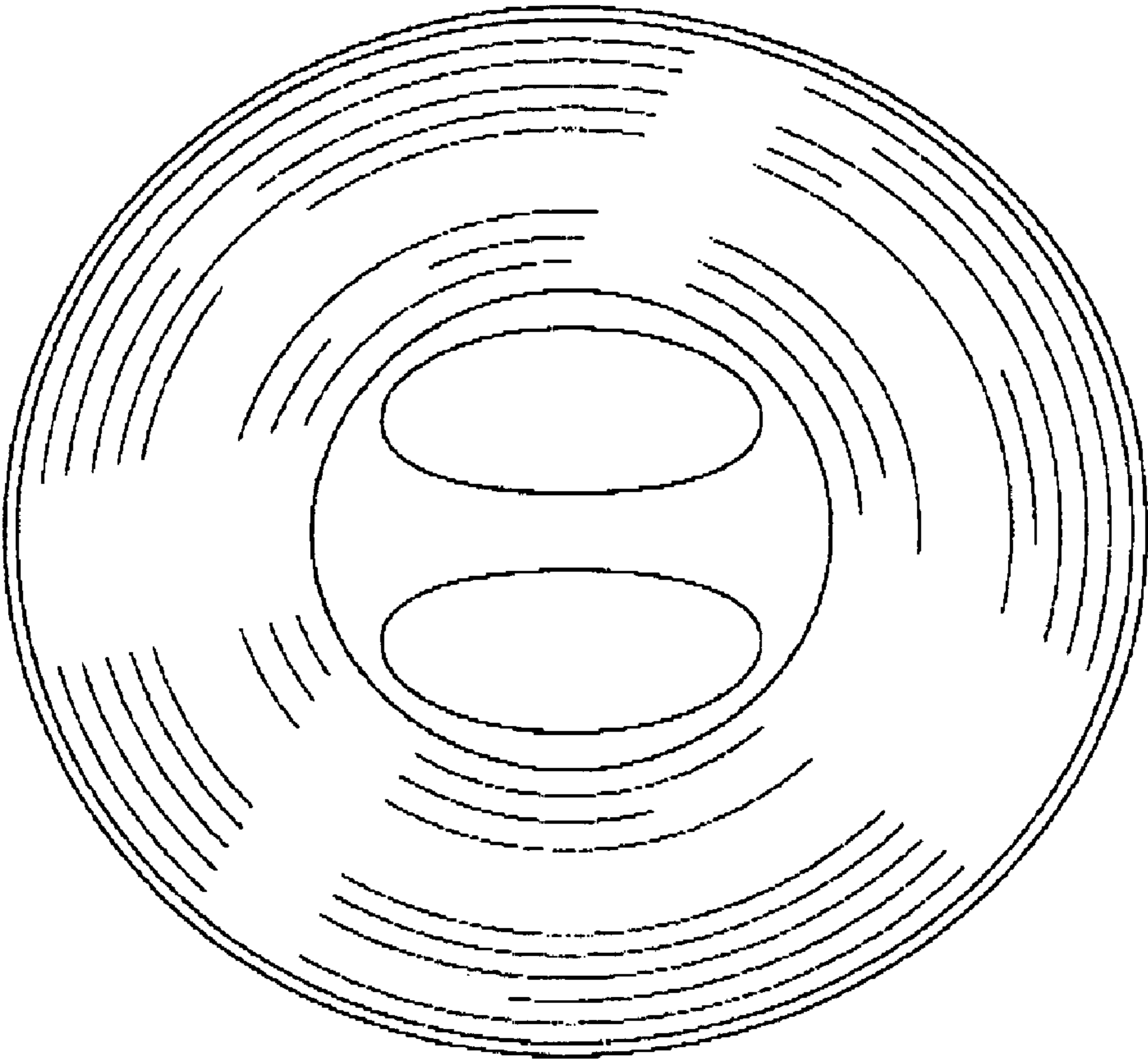


FIG. 5

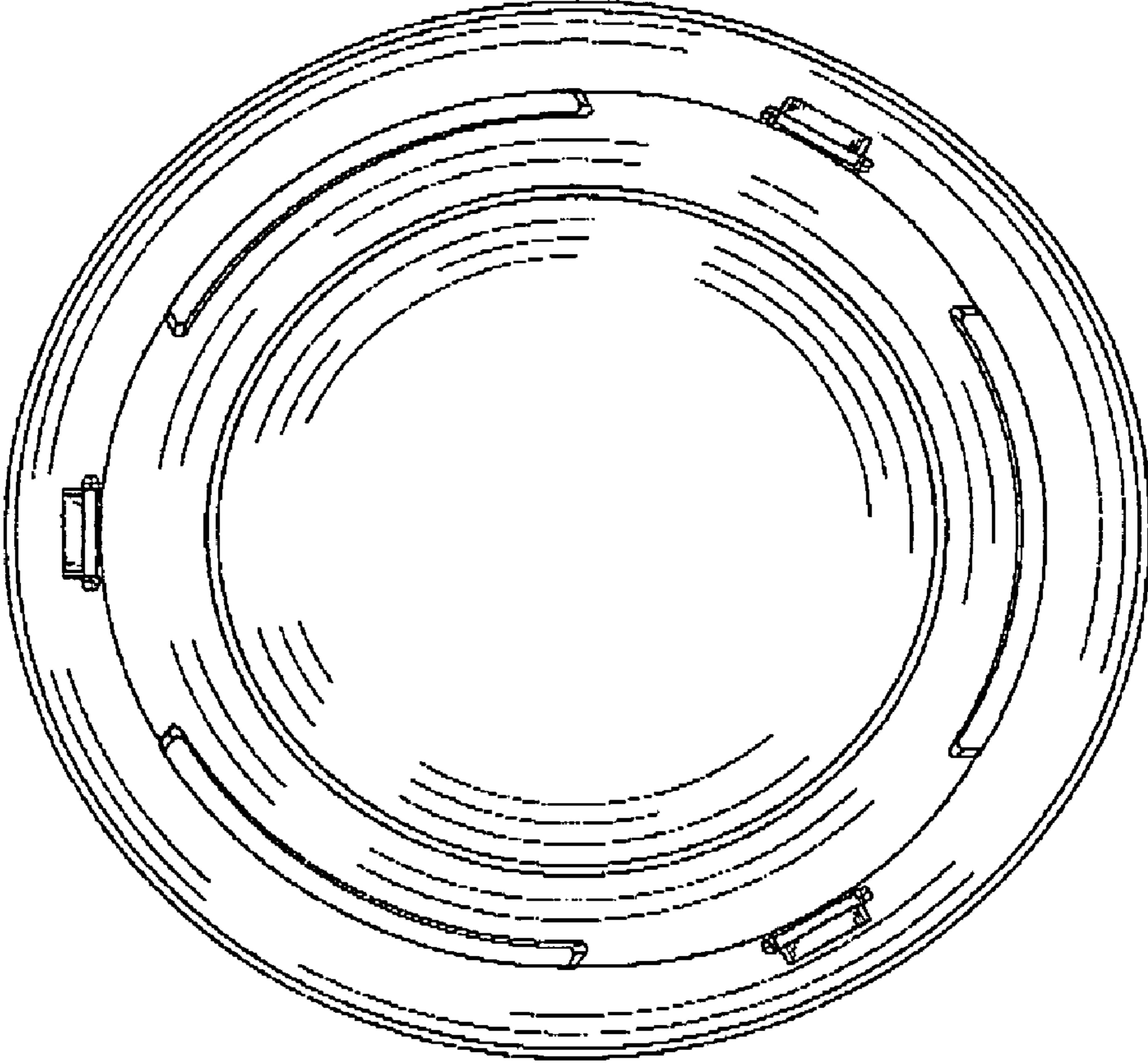


FIG. 6

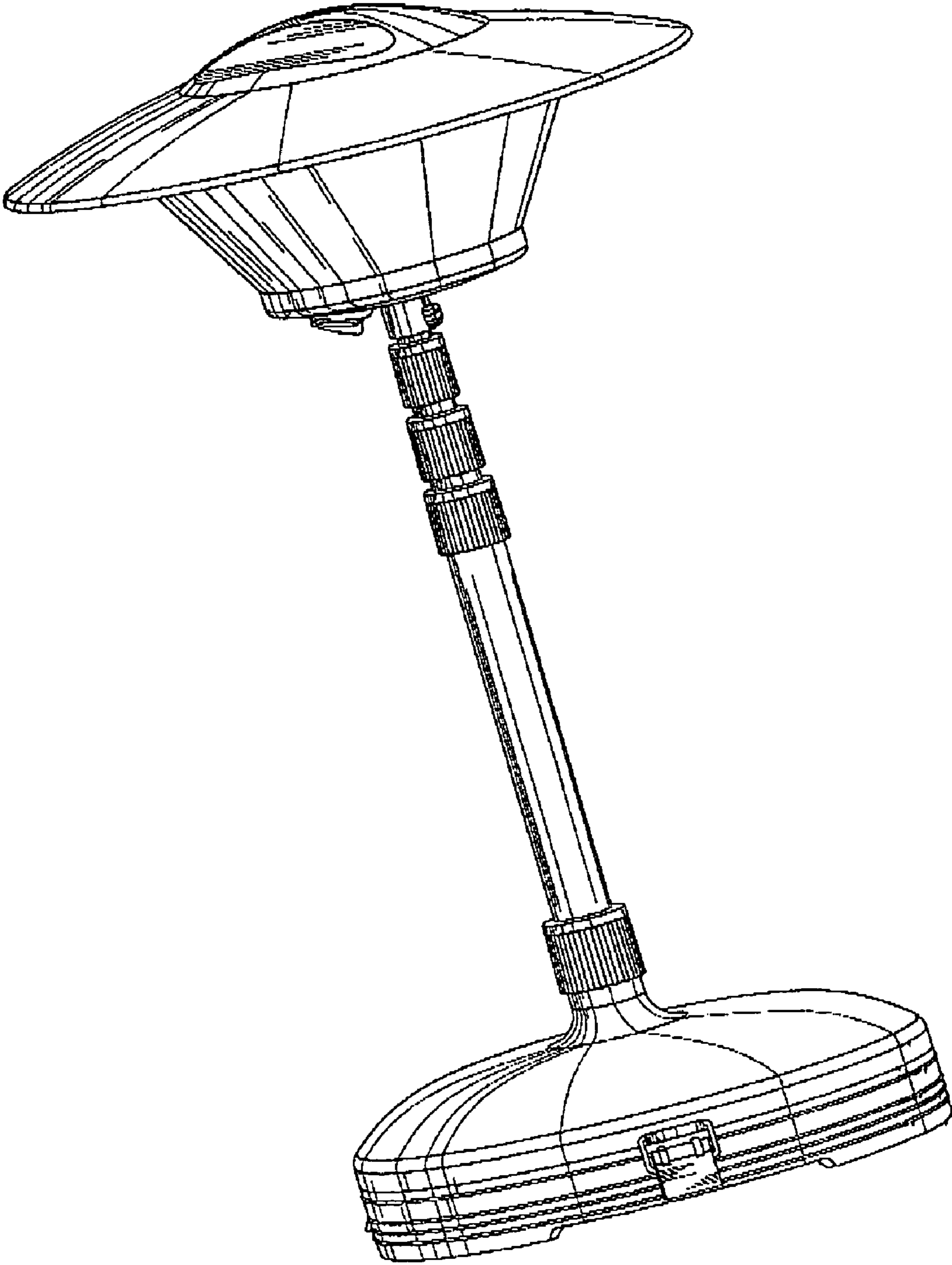


FIG. 7

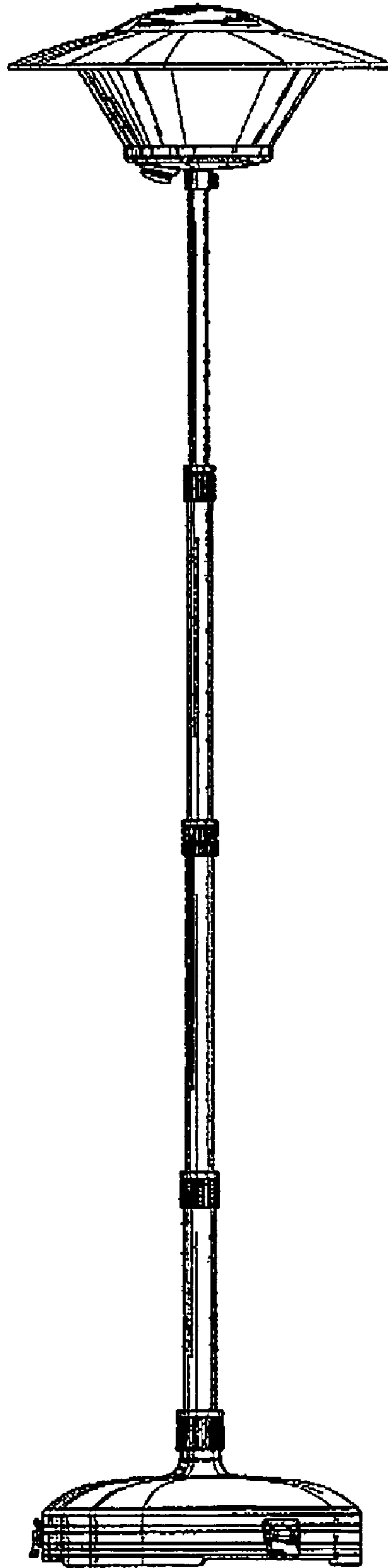


FIG. 8