



US00D619741S

(12) **United States Design Patent**
Beigel et al.

(10) **Patent No.:** **US D619,741 S**
(45) **Date of Patent:** **** Jul. 13, 2010**

(54) **SIDE REPEATER LIGHT OF A TRUCK VEHICLE**

D578,684 S * 10/2008 Marquardt D26/28
D590,967 S * 4/2009 Huang D26/28
D592,780 S * 5/2009 Calvin et al. D26/28
D606,682 S * 12/2009 Chang D26/28

(75) Inventors: **David J. Beigel**, Payne, OH (US); **Kris K. Timmerman**, Hometown, IN (US); **Robert Scott Tirey**, Fort Wayne, IN (US); **Dale Beever**, Laguna Nigel, CA (US); **Bruce Youngs**, Novi, MI (US); **Pradhan Subhransu**, Akurdi (IN); **William Ratliff**, Commerce Township, MI (US); **Ronald E. Schoon**, Fort Wayne, MI (US); **Anthony Lynn Schroeder**, Leo, IN (US)

* cited by examiner

Primary Examiner—Marcus A Jackson
(74) *Attorney, Agent, or Firm*—Jeffrey P. Calfa; Mark C. Bach; Gerald W. Askew

(73) Assignee: **Mahindra Navistar Automotives Limited** (IN)

(57) **CLAIM**

The ornamental design for a side repeater light of a truck vehicle, as shown and described.

(**) Term: **14 Years**

(21) Appl. No.: **29/342,605**

DESCRIPTION

(22) Filed: **Aug. 28, 2009**

(51) **LOC (9) Cl.** **26-06**

FIG. 1 is a right, front perspective view of a side repeater light of a truck vehicle showing our new design, with the wires broken away at the end to indicate indeterminate length;

(52) **U.S. Cl.** **D26/28**

FIG. 2 is a left view thereof;

(58) **Field of Classification Search** D26/28-36;
362/459-468, 475-478, 485-487

FIG. 3 is a right view thereof;

See application file for complete search history.

FIG. 4 is a front view thereof; and,

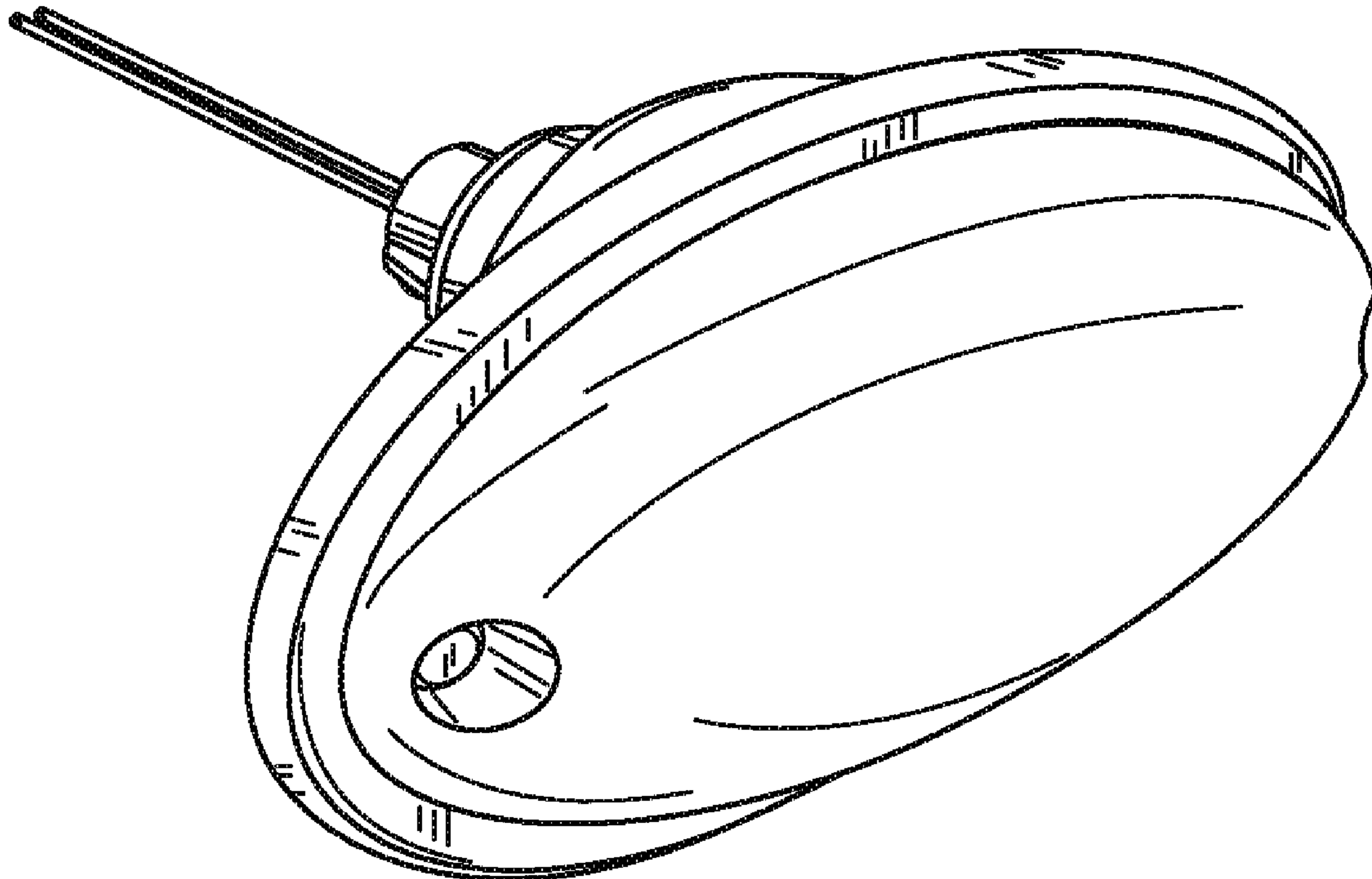
(56) **References Cited**

FIG. 5 is a top view thereof.

U.S. PATENT DOCUMENTS

D578,233 S * 10/2008 Chang D26/28

1 Claim, 2 Drawing Sheets



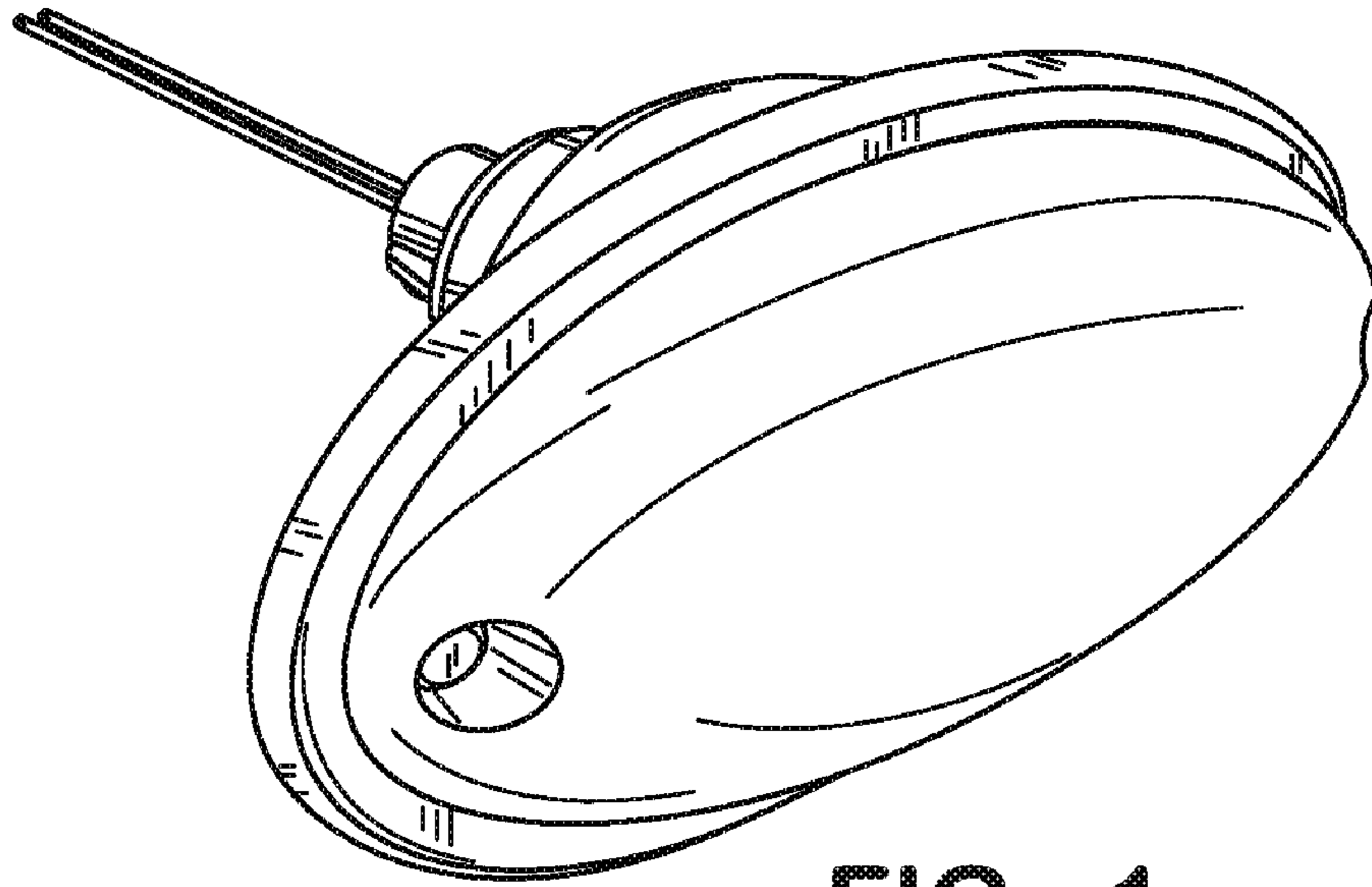


FIG. 1

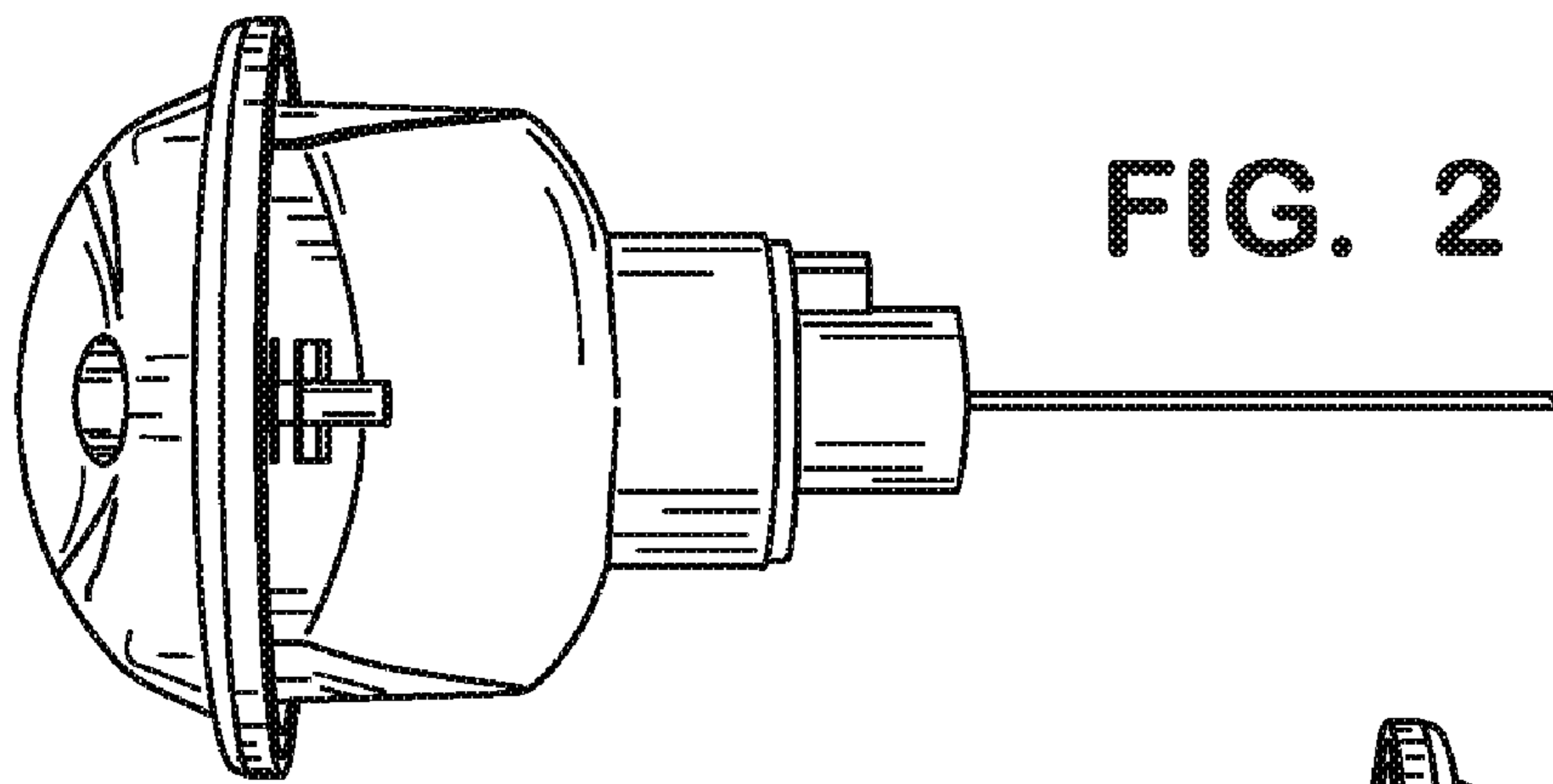


FIG. 2

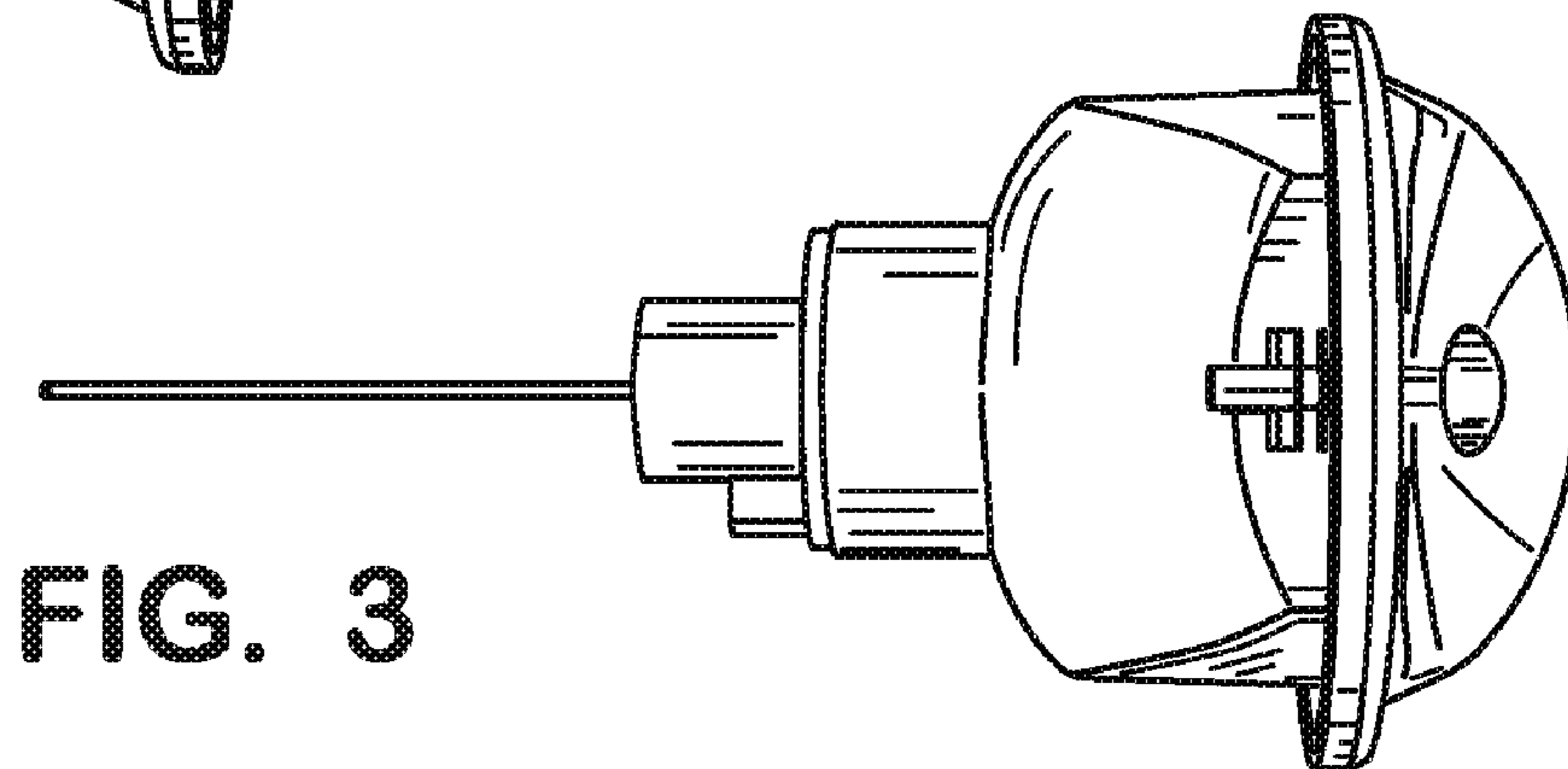


FIG. 3

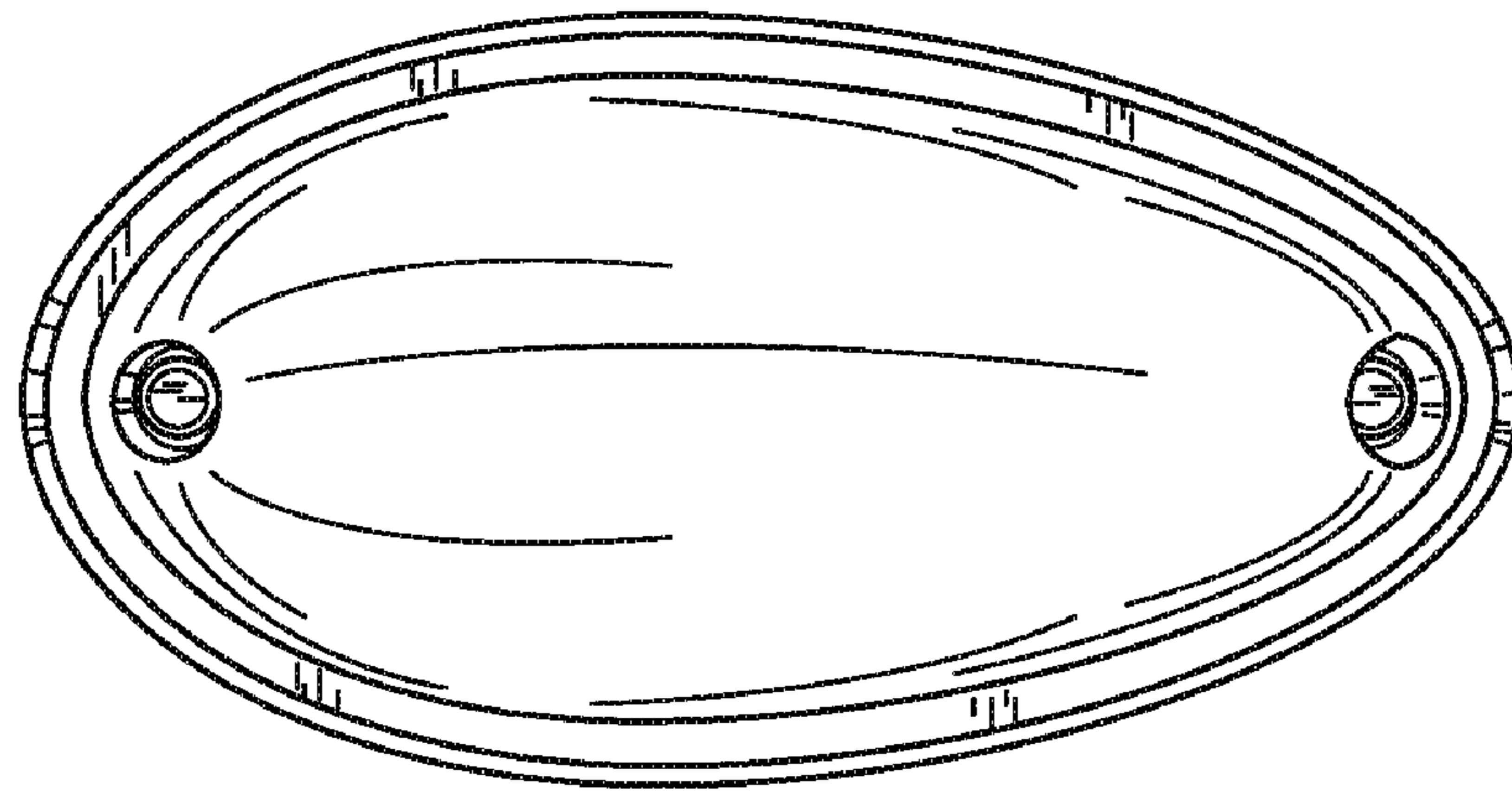


FIG. 4

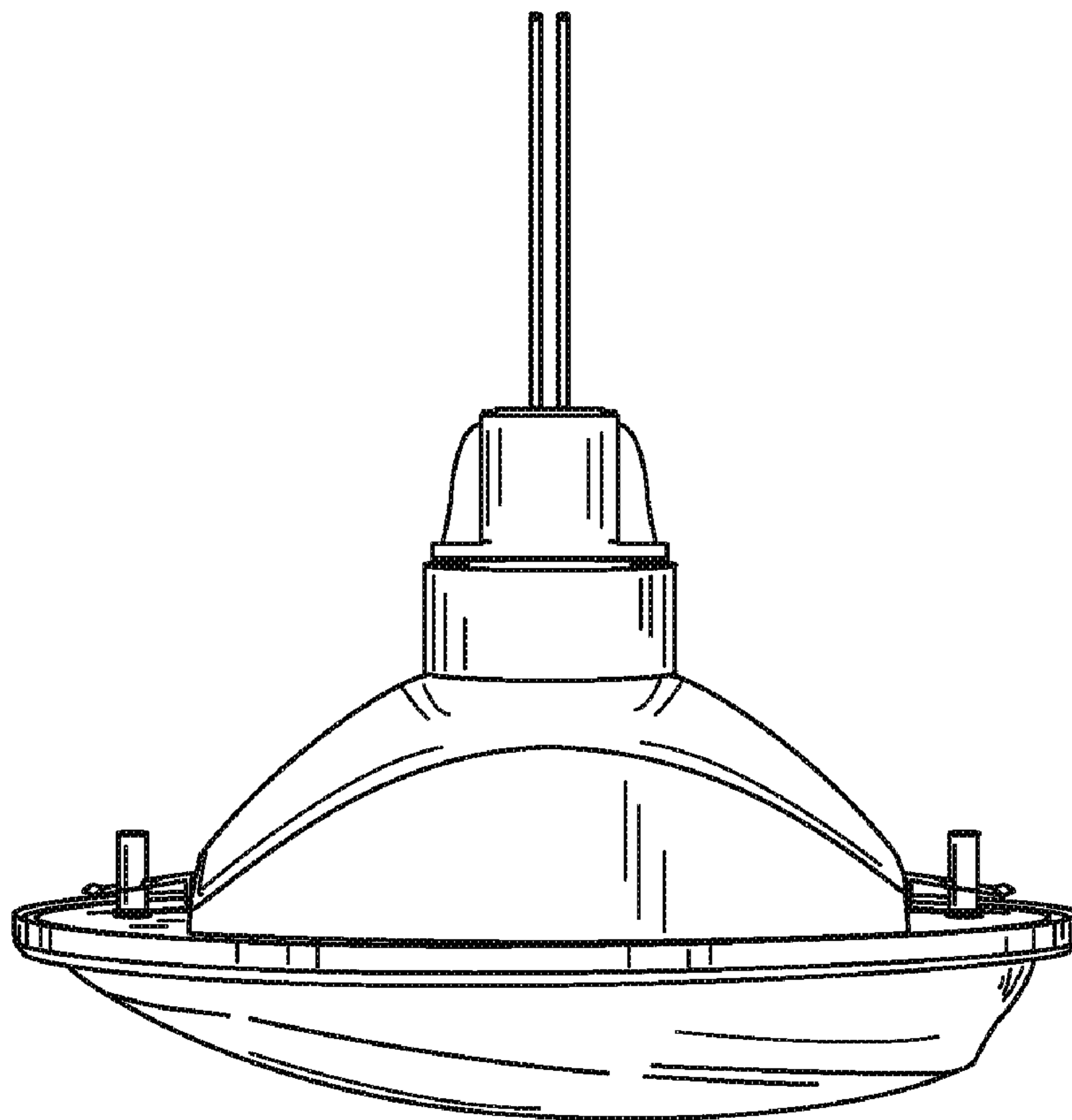


FIG. 5