



US00D619739S

(12) **United States Design Patent**
Hofmann et al.

(10) **Patent No.:** **US D619,739 S**

(45) **Date of Patent:** **** Jul. 13, 2010**

(54) **LED LAMP**

D601,278 S * 9/2009 Takahashi D26/2

(75) Inventors: **Markus Hofmann**, Bad Abbach (DE);
Florian Zeus, Obertraubling (DE)

FOREIGN PATENT DOCUMENTS

EM	001021000-0001	9/2008
EM	001021000-0002	9/2008
EM	001021000-0003	9/2008
EM	001021000-0004	9/2008
EM	001021000-0005	9/2008

(73) Assignee: **Osram Gesellschaft mit Beschränkter Haftung**, München (DE)

(**) Term: **14 Years**

* cited by examiner

(21) Appl. No.: **29/338,822**

Primary Examiner—Marcus A Jackson

(22) Filed: **Jun. 18, 2009**

(74) *Attorney, Agent, or Firm*—Cohen Pontani Lieberman & Pavane LLP

(30) **Foreign Application Priority Data**

Dec. 18, 2008 (EM) 001067425

(57) **CLAIM**

The ornamental design for an LED lamp, as shown and described.

(51) **LOC (9) Cl.** **26-06**

(52) **U.S. Cl.** **D26/2**

(58) **Field of Classification Search** D26/1-4;
313/313, 315, 316, 317, 318, 493; 315/52,
315/53, 56, 57, 58

DESCRIPTION

FIG. 1 is a perspective view of an LED lamp,
FIG. 2 is a front view of the LED lamp,
FIG. 3 is a right side view of the LED lamp,
FIG. 4 is a rear view of the LED lamp,
FIG. 5 is a left side view of the LED lamp,
FIG. 6 is a bottom view of the LED lamp; and,
FIG. 7 is a top view of the LED lamp.

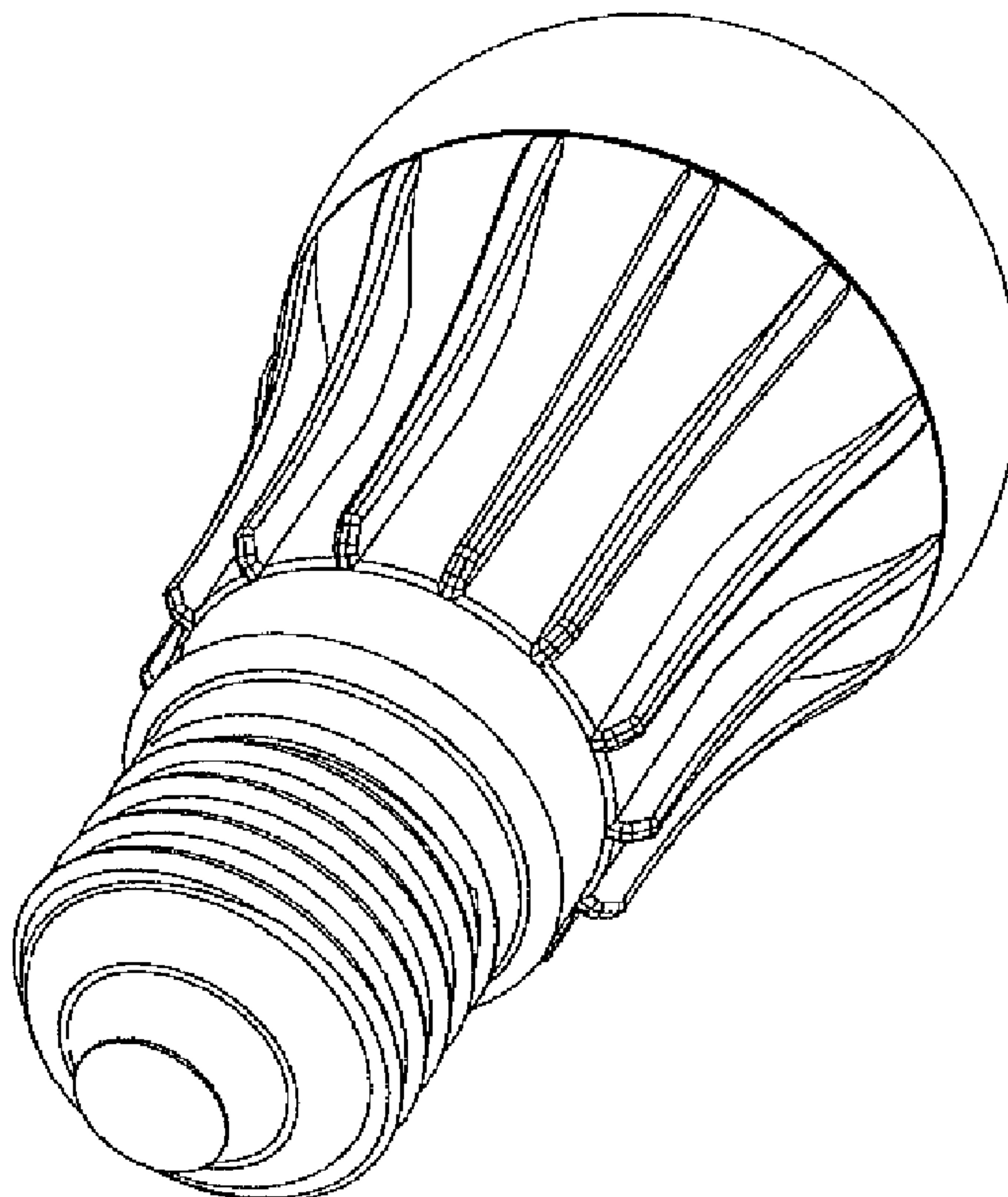
See application file for complete search history.

(56) **References Cited**

U.S. PATENT DOCUMENTS

D508,575 S *	8/2005	Buschmann et al.	D26/2
D528,227 S *	9/2006	Chou et al.	D26/2
D600,367 S *	9/2009	Bertram et al.	D26/2

1 Claim, 2 Drawing Sheets



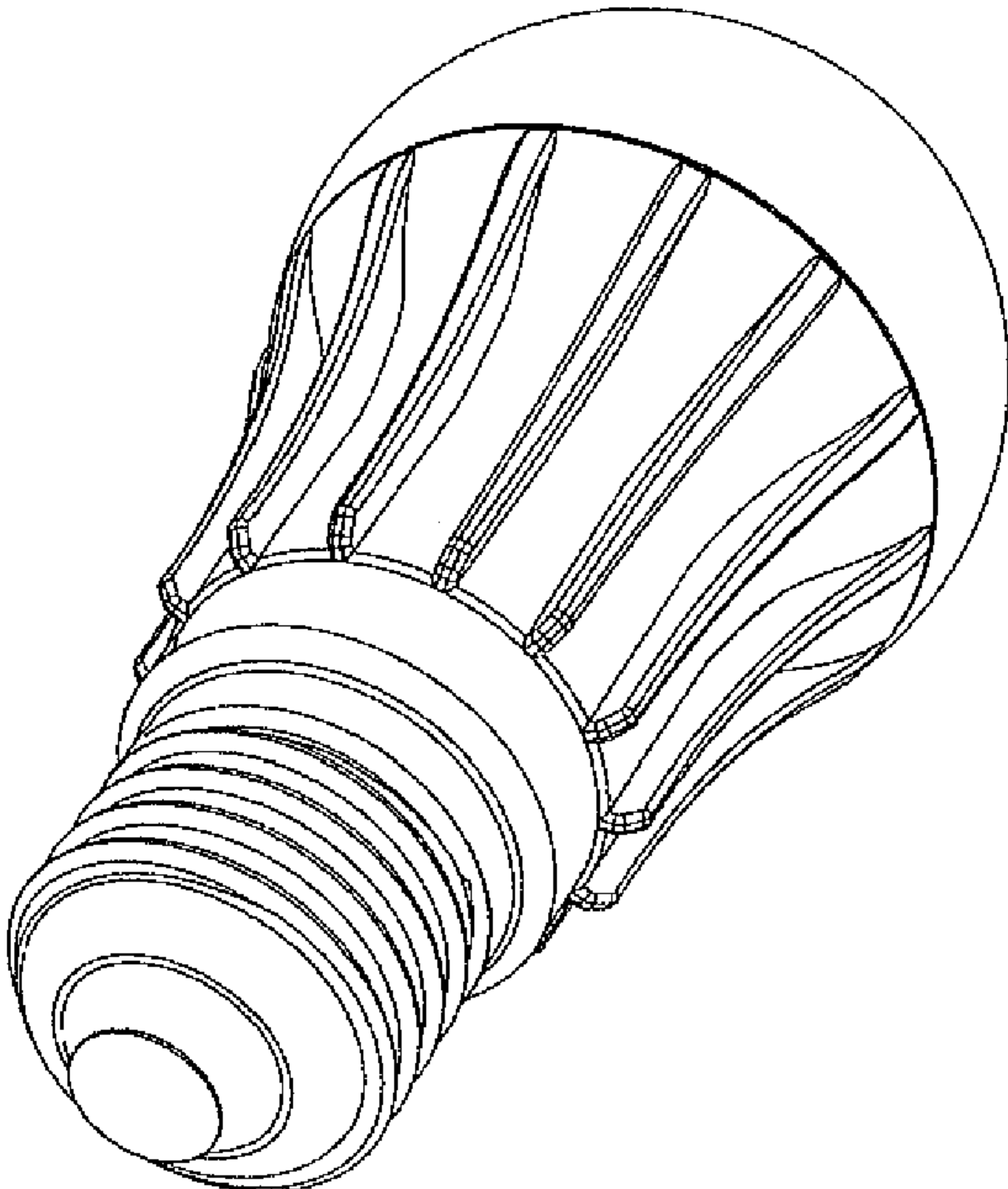


Fig. 1

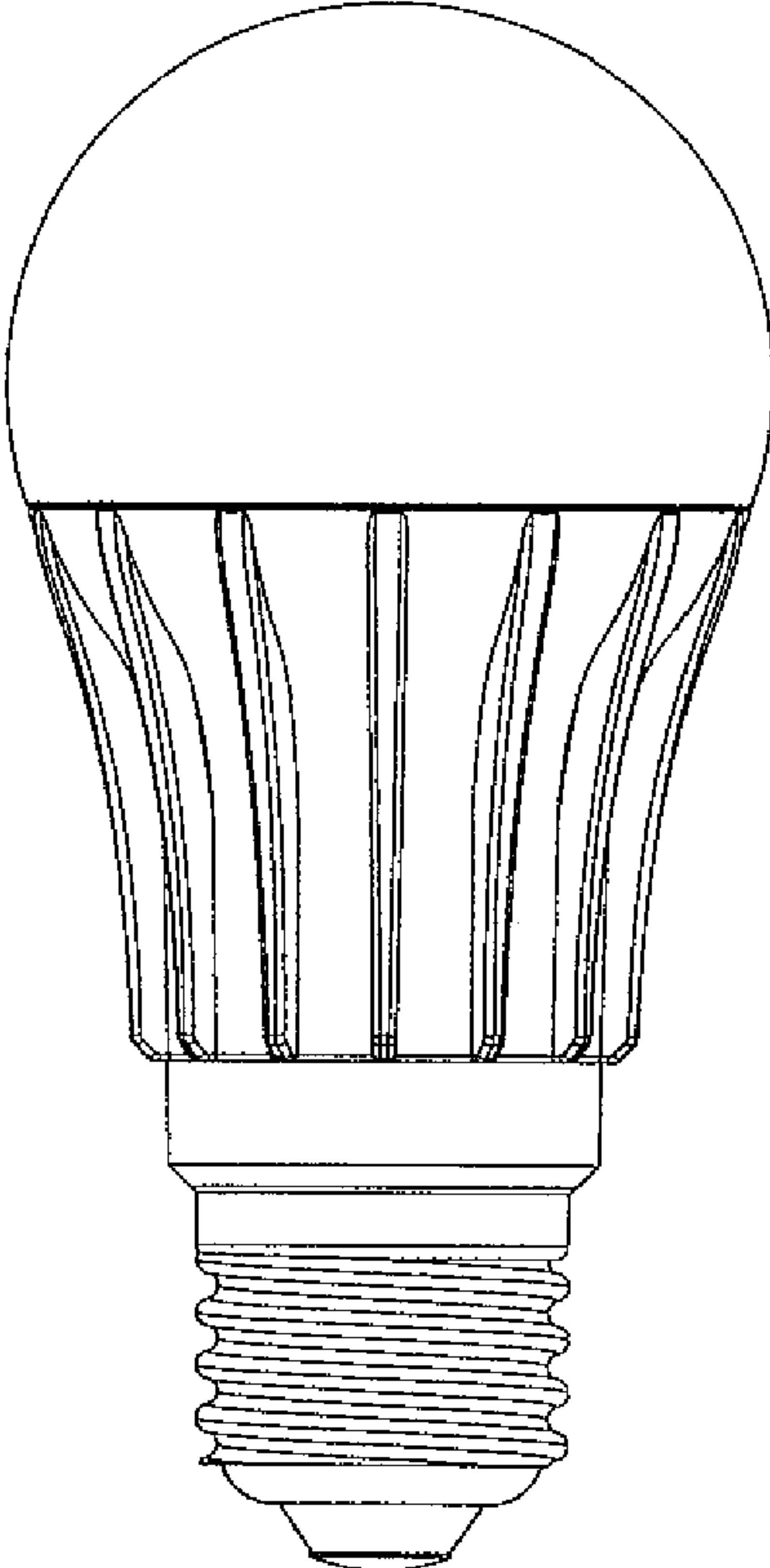


Fig. 2

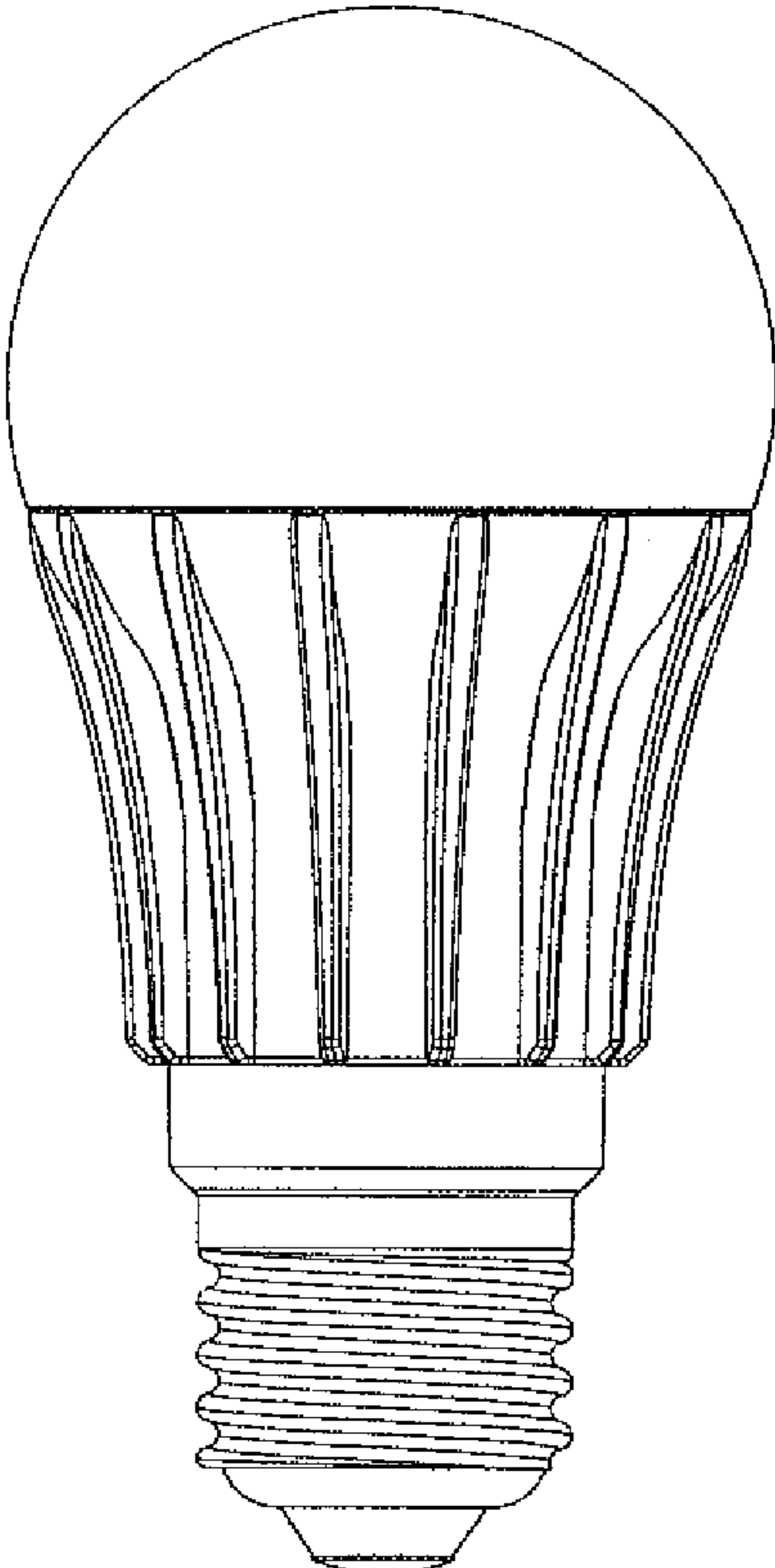


Fig. 3

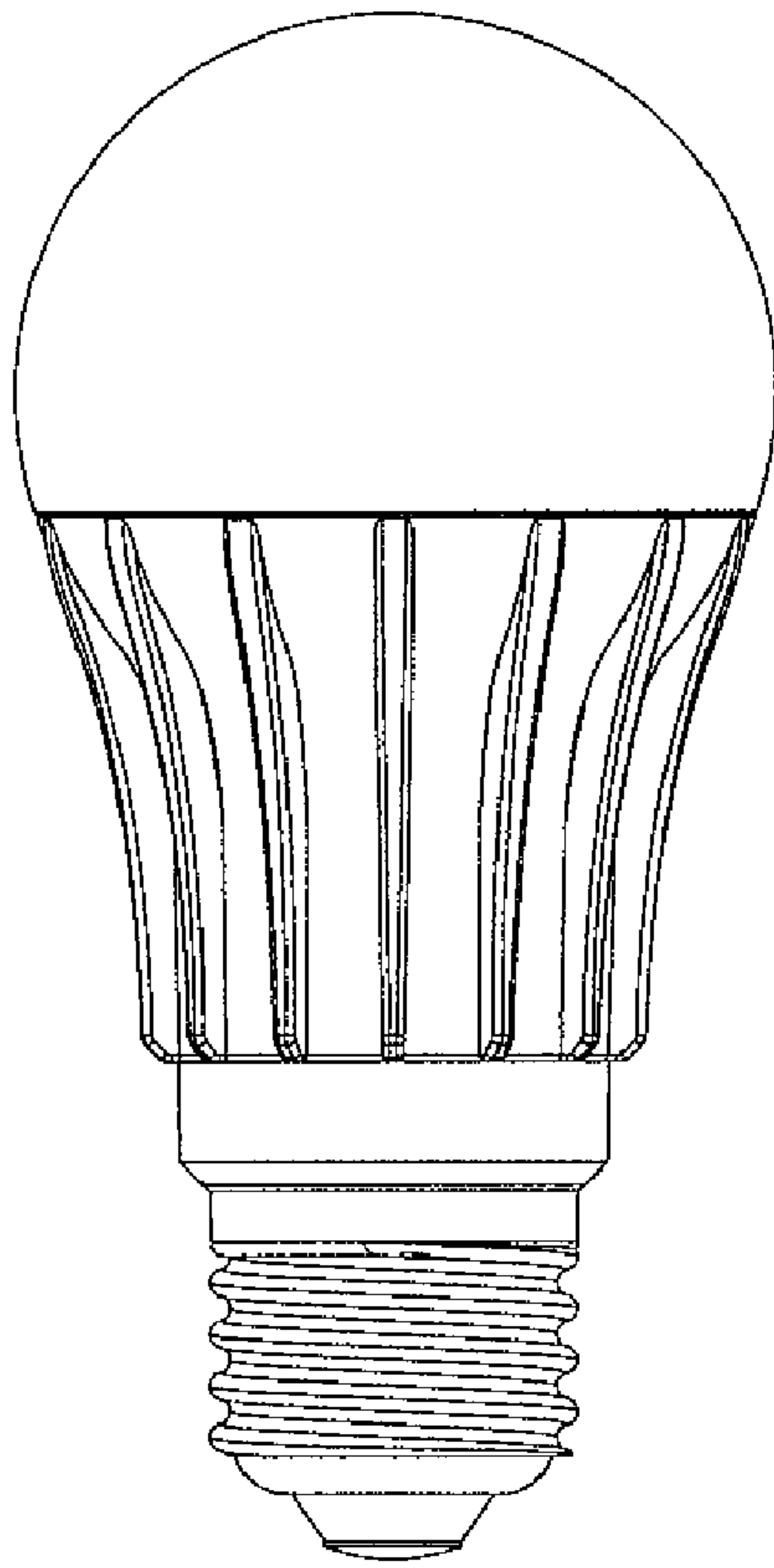


Fig. 4

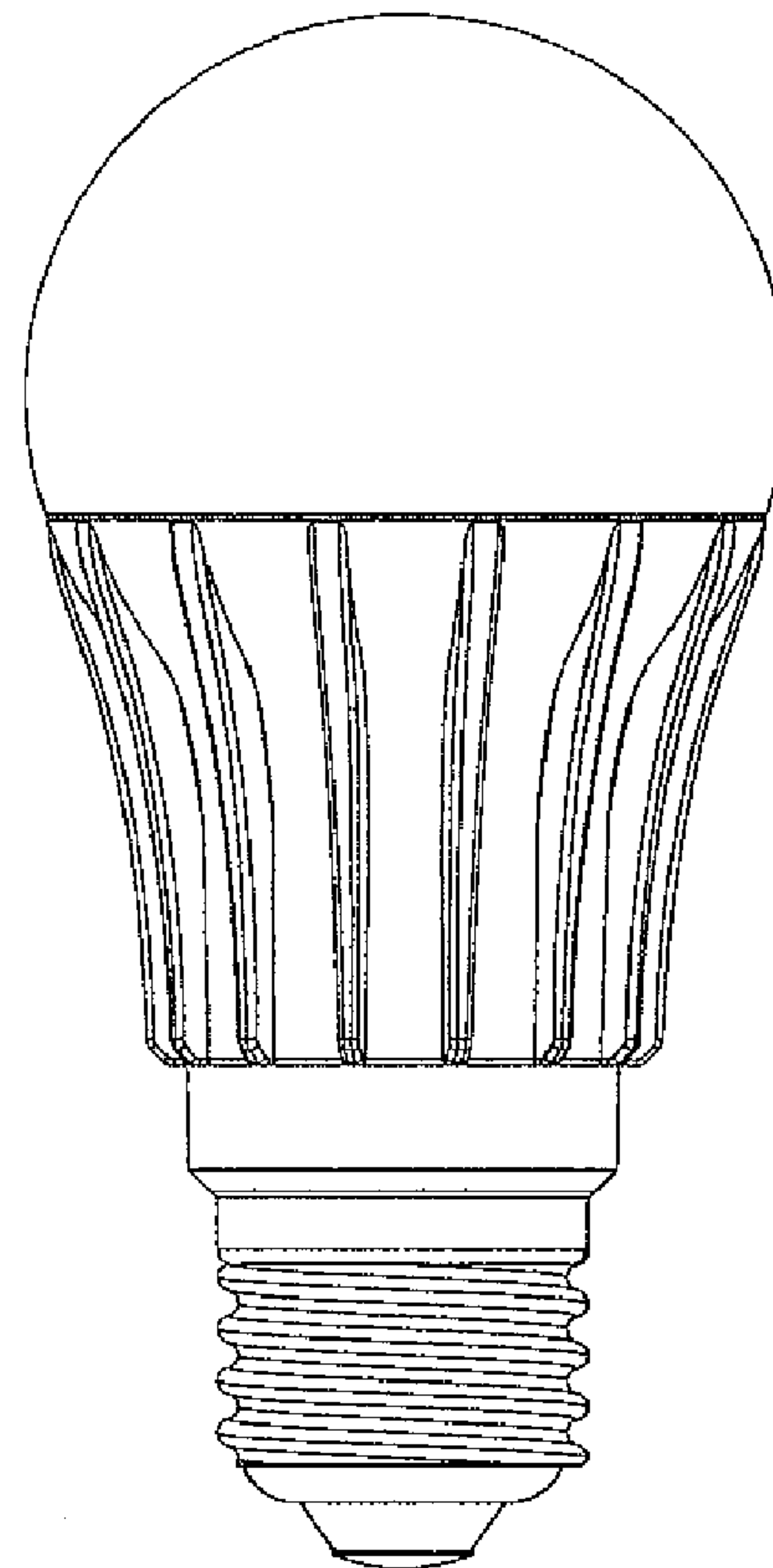


Fig. 5

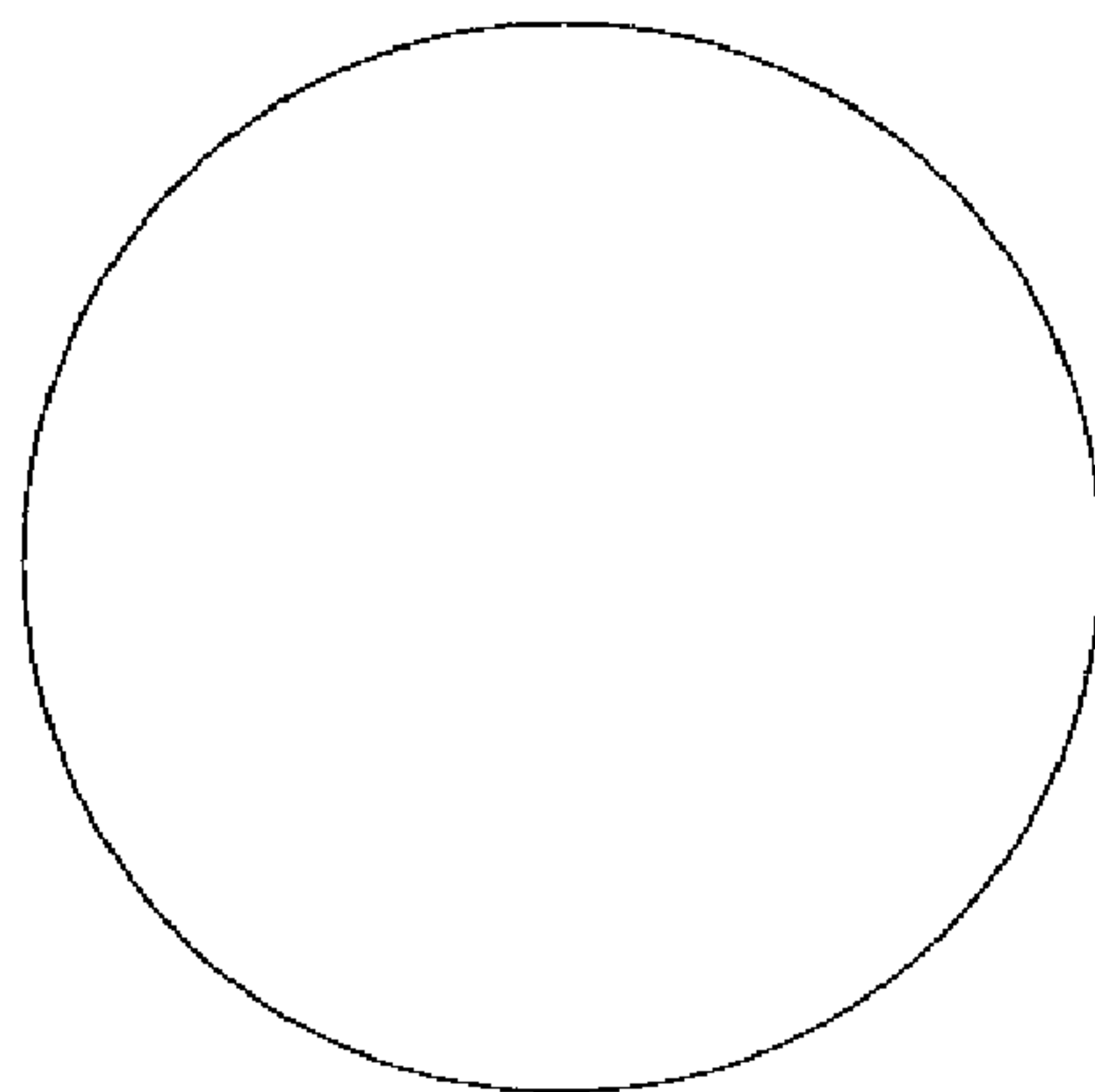


Fig. 6

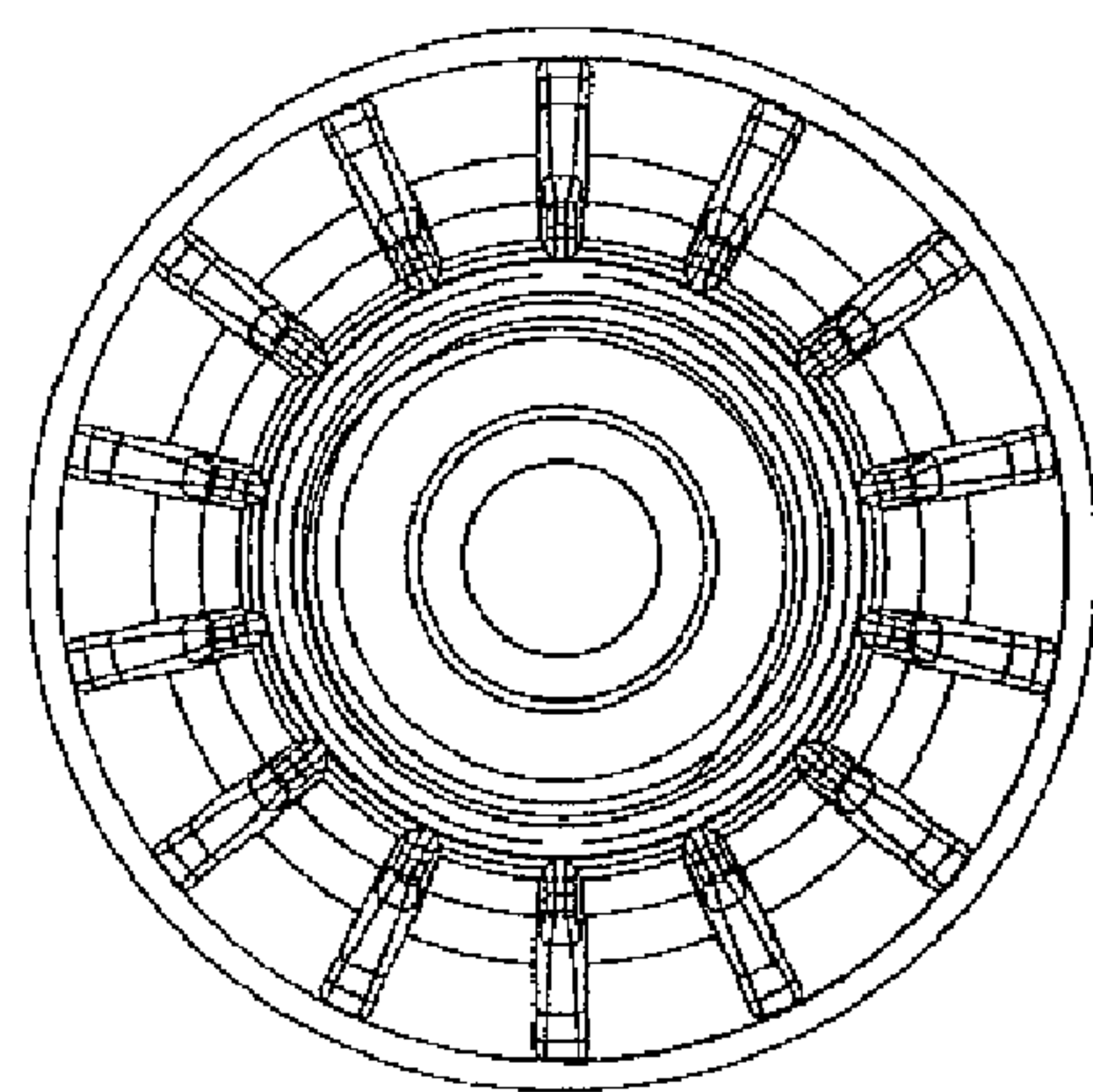


Fig. 7

UNITED STATES PATENT AND TRADEMARK OFFICE
CERTIFICATE OF CORRECTION

PATENT NO. : D619,739 S
APPLICATION NO. : 29/338822
DATED : July 13, 2010
INVENTOR(S) : Markus Hofmann et al.

Page 1 of 1

It is certified that error appears in the above-identified patent and that said Letters Patent is hereby corrected as shown below:

Title Page, below Item (22) should read:

--(30) Foreign Application Priority Data

Dec. 18, 2009 (EU) 001067425--

Signed and Sealed this
Twenty-third Day of July, 2013



Teresa Stanek Rea
Acting Director of the United States Patent and Trademark Office