



US00D619738S

(12) **United States Design Patent**
Mannhart

(10) **Patent No.:** **US D619,738 S**
(45) **Date of Patent:** **** Jul. 13, 2010**

(54) **PORTABLE TEMPORARY FENCE POST**

(76) Inventor: **Ambrosius Mannhart**, Box 1944,
Whitecourt, AB (CA) T7S 1P6

(**) Term: **14 Years**

(21) Appl. No.: **29/343,857**

(22) Filed: **Sep. 21, 2009**

(51) **LOC (9) Cl.** **25-01**

(52) **U.S. Cl.** **D25/126**

(58) **Field of Classification Search** D25/126;
52/300, 301, 146, 155; 256/19, 22, 24, 65.09,
256/65.14; 119/738, 788, 791, 795; D30/154
See application file for complete search history.

(56) **References Cited**

U.S. PATENT DOCUMENTS

832,565	A	10/1906	Wilson	
963,659	A	7/1910	Stambaugh	
1,008,227	A	11/1911	Weisz	
2,790,419	A	4/1957	Sullivan	
3,387,825	A	6/1968	Kreeger	
3,921,589	A	11/1975	McGahee	
4,265,333	A	5/1981	Rowell et al.	
4,830,142	A	5/1989	McManus	
4,982,701	A	1/1991	Papak	
5,161,487	A	11/1992	Miller	
5,180,143	A *	1/1993	Brower	256/24
5,238,321	A *	8/1993	Jarjoura	403/172

5,732,659	A	3/1998	Wiggins	
D395,263	S	6/1998	Ponce	
6,202,371	B1 *	3/2001	Natelli, Jr.	52/170
D456,529	S *	4/2002	Conde	D25/126
6,374,777	B1 *	4/2002	Willinger	119/791
6,595,496	B1	7/2003	Langlie et al.	
D505,757	S	5/2005	Wojcik et al.	
D598,575	S *	8/2009	Stice	D25/126
2004/0151550	A1	8/2004	Price et al.	

* cited by examiner

Primary Examiner—Doris Clark

(74) *Attorney, Agent, or Firm*—Joseph T. Yaksich

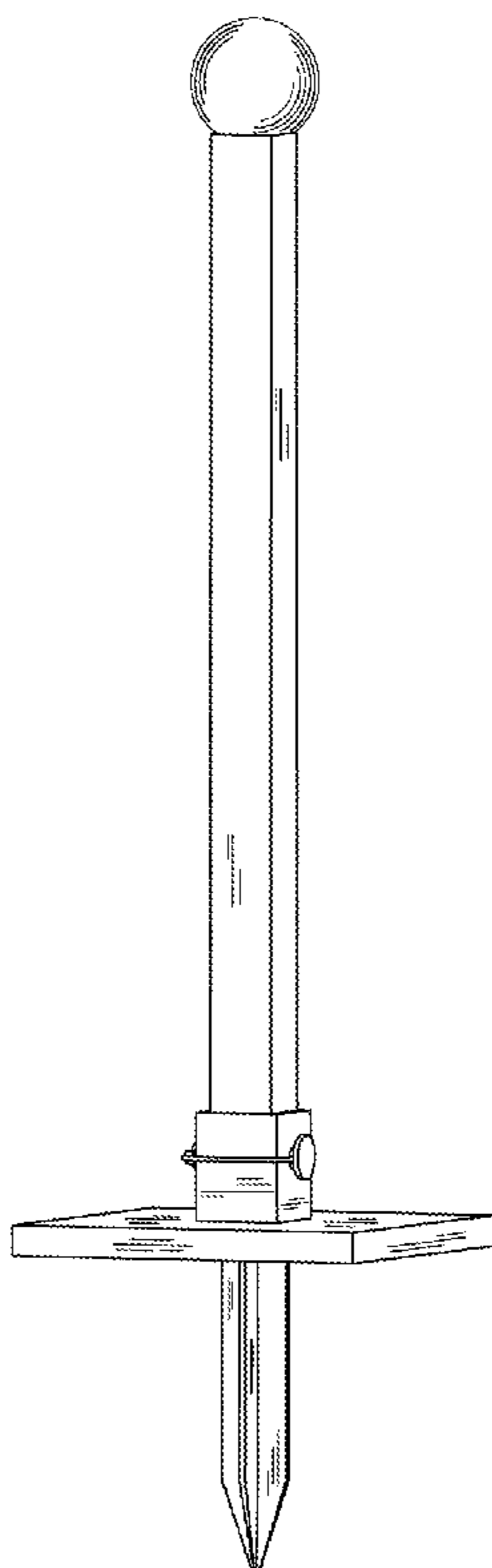
(57) **CLAIM**

The ornamental design for a portable temporary fence post, as shown.

DESCRIPTION

FIG. 1 is a perspective view of a portable temporary fence post;
FIG. 2 is a front view thereof;
FIG. 3 is a rear view thereof;
FIG. 4 is a left side view thereof;
FIG. 5 is a right side view thereof;
FIG. 6 is a top view thereof; and,
FIG. 7 is a bottom view thereof.

1 Claim, 6 Drawing Sheets



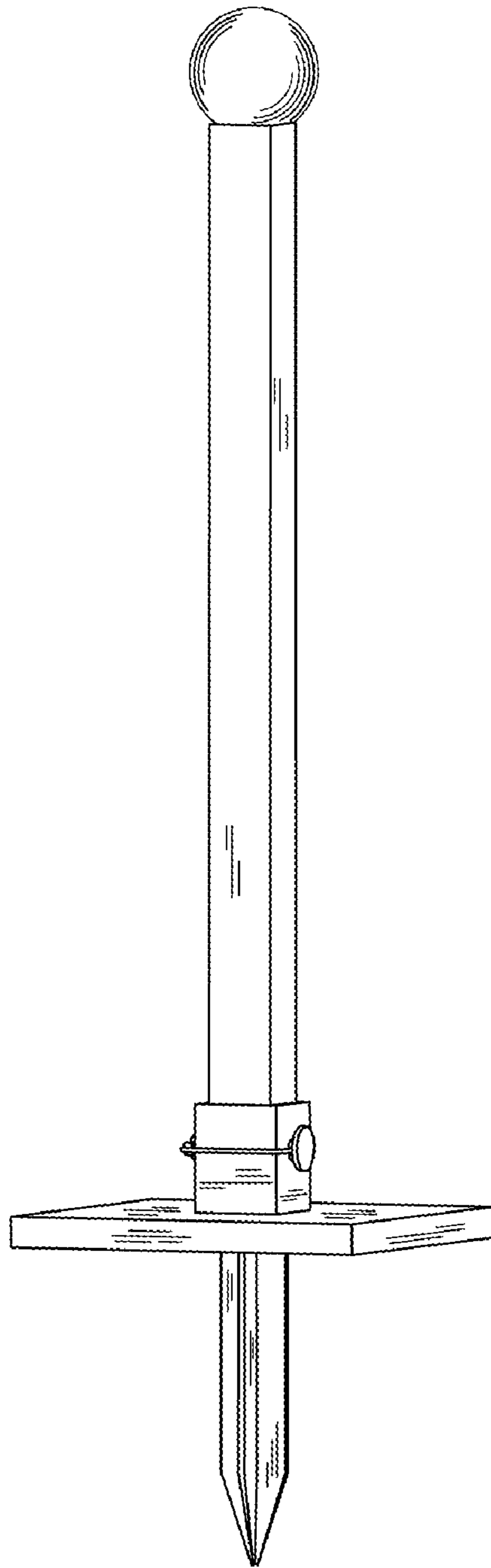


Fig. 1

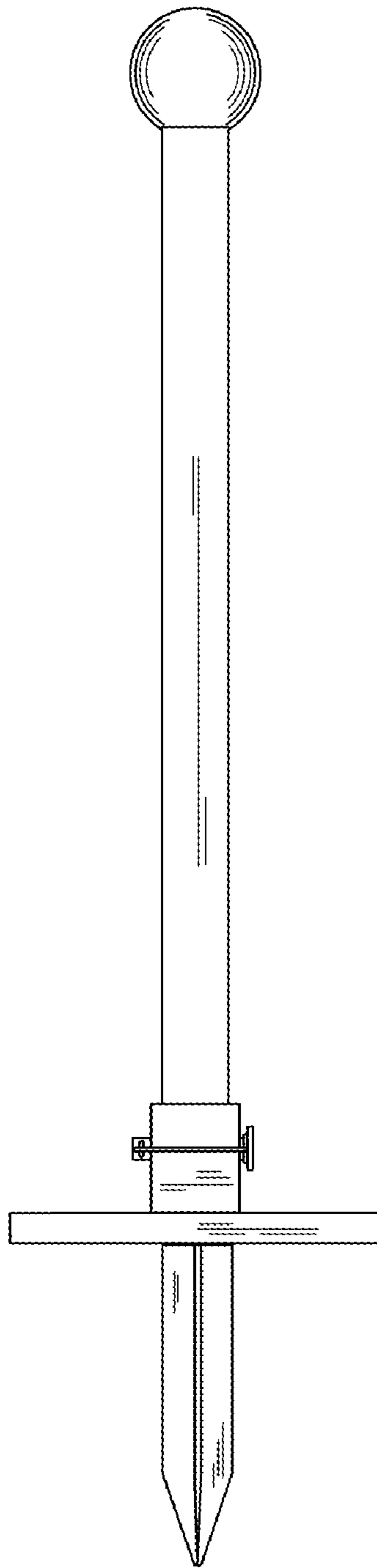


Fig. 2

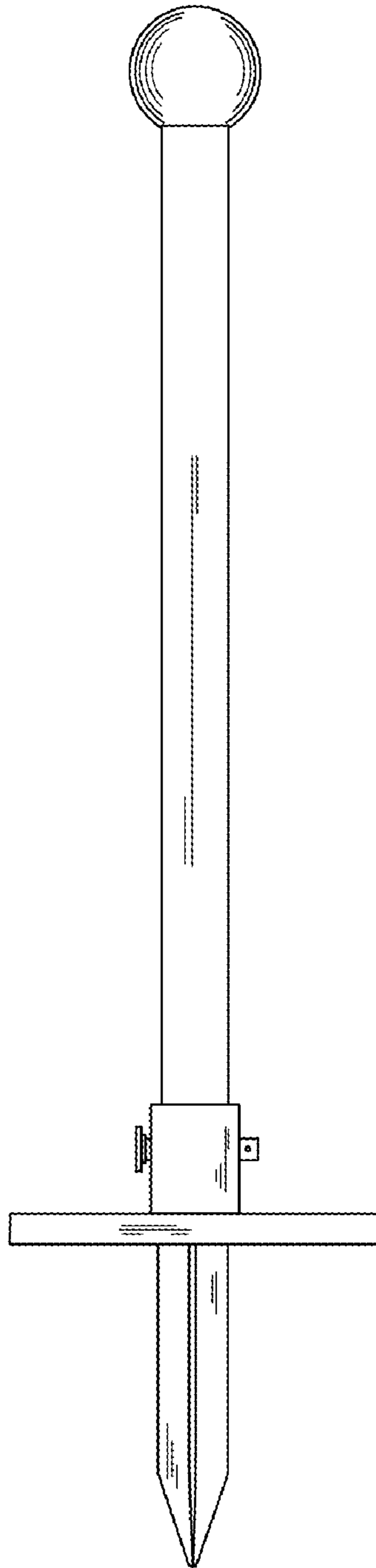


Fig. 3

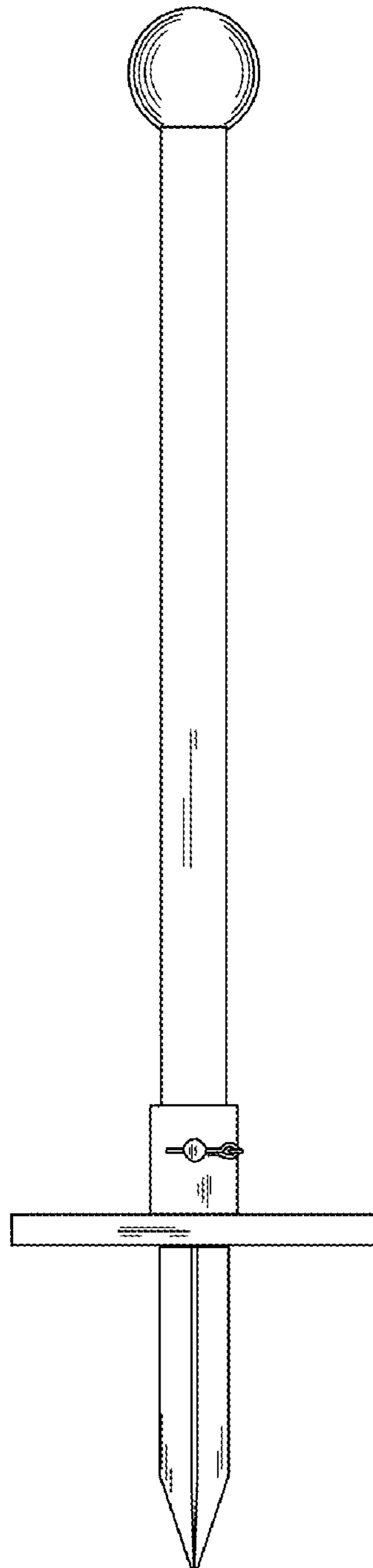


Fig. 4

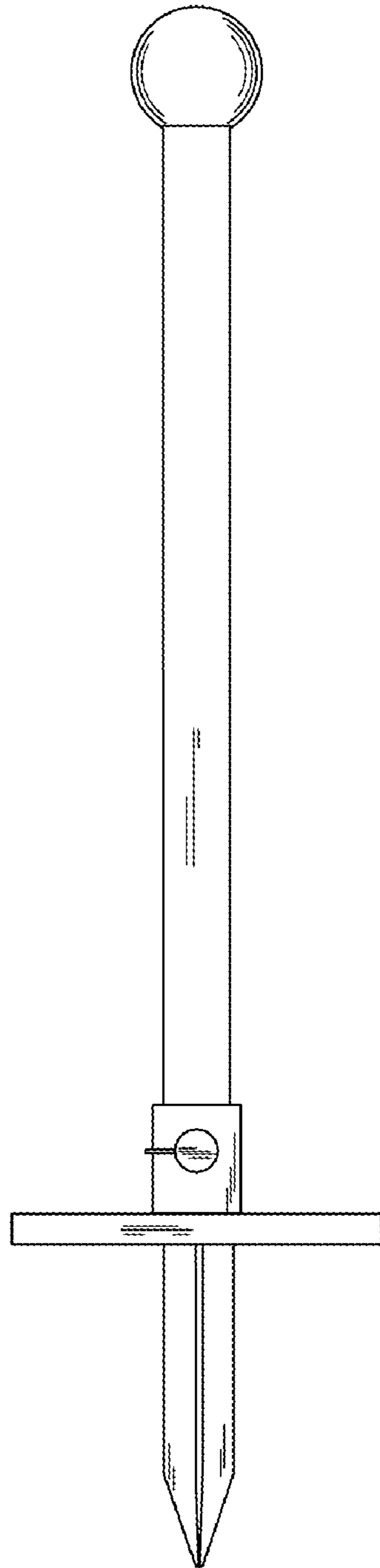


Fig. 5

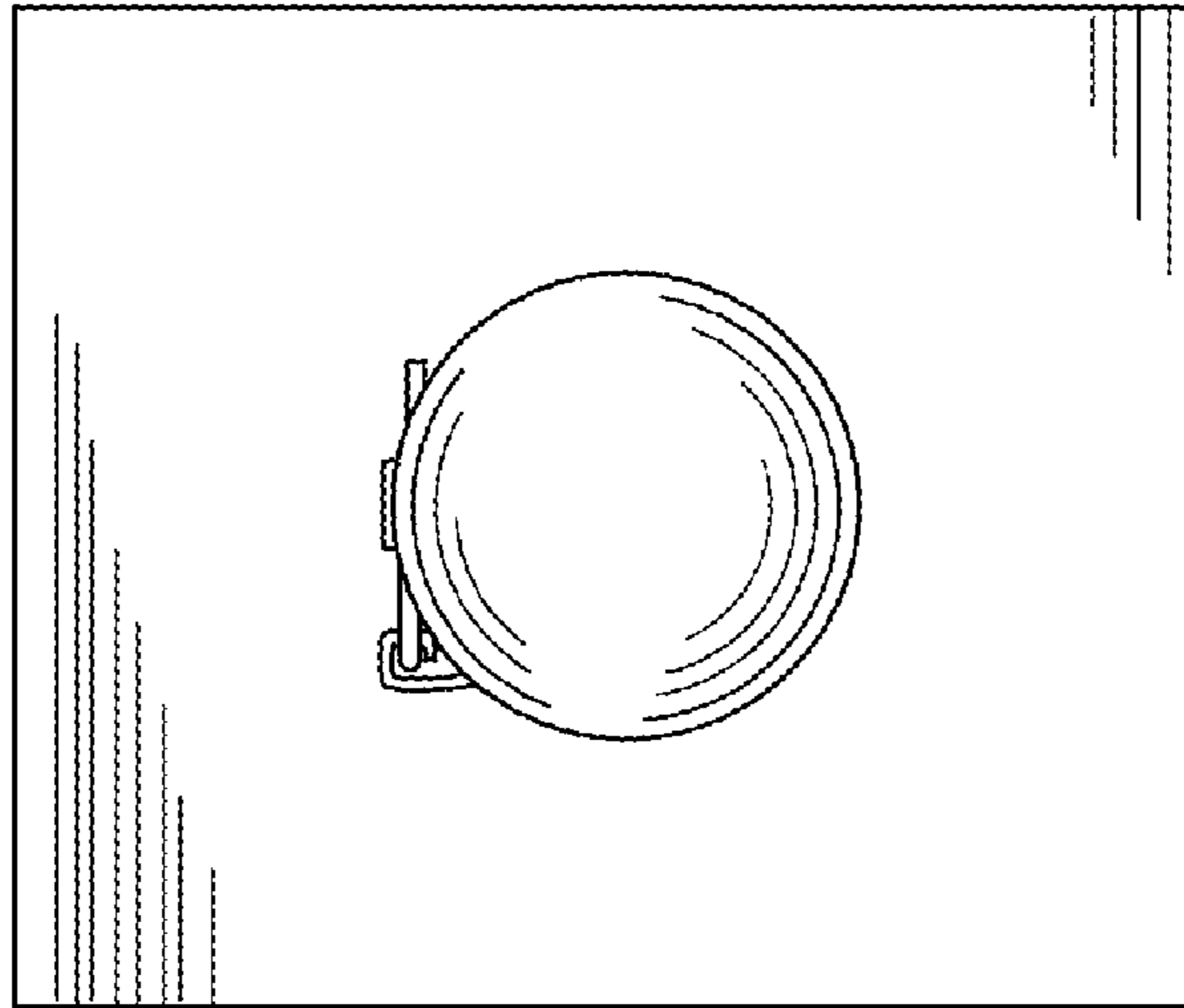


Fig. 6

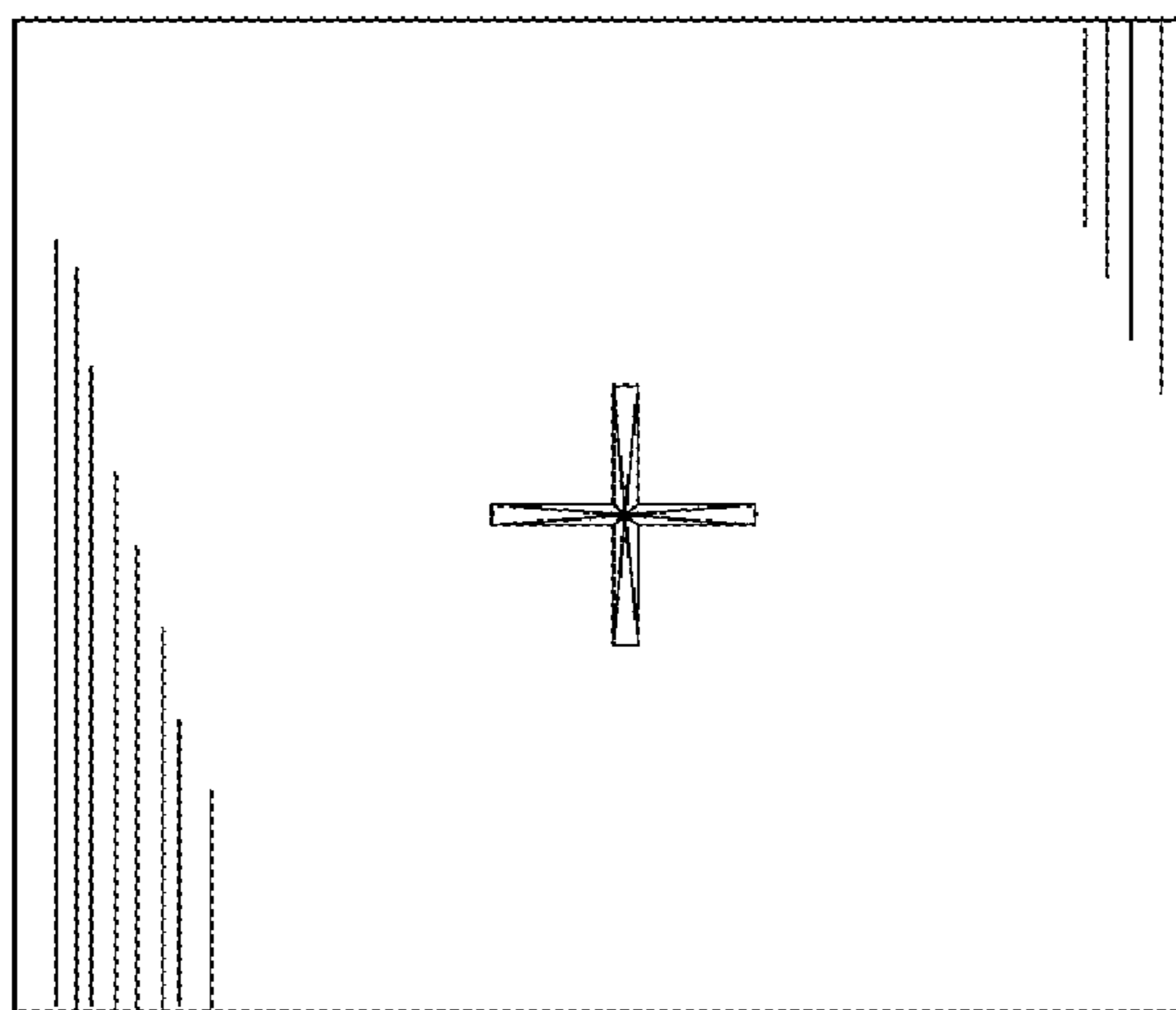


Fig. 7