



US00D619737S

(12) **United States Design Patent**
Shoaf et al.

(10) **Patent No.:** **US D619,737 S**
(45) **Date of Patent:** **** Jul. 13, 2010**

(54) **FENCE POST**

(75) Inventors: **Ronald S. Shoaf**, Advance, NC (US);
Vernon A. Copeland, Jr., Brunswick,
GA (US); **Michael T. Shields**,
Monticello, GA (US); **James F. Blocker**,
Hagan, GA (US)

(73) Assignee: **Georgia-Pacific Wood Products LLC**,
Atlanta, GA (US)

(**) Term: **14 Years**

(21) Appl. No.: **29/332,430**

(22) Filed: **Feb. 16, 2009**

(51) **LOC (9) Cl.** **25-01**

(52) **U.S. Cl.** **D25/126; D25/38**

(58) **Field of Classification Search** D25/126,
D25/38; 256/65.01, 59, 65.11, 65.02, 19,
256/24, 22, DIG. 5; 52/169.9, 233, 736.1
See application file for complete search history.

(56) **References Cited**

U.S. PATENT DOCUMENTS

2,232,416	A	2/1941	Taylor et al.	
2,416,162	A *	2/1947	Drake	52/233
3,189,950	A	6/1965	Johnson	
3,527,005	A *	9/1970	Slavens	52/223.7
3,863,409	A	2/1975	Fell	

3,992,838	A	11/1976	Vizziello	
4,047,350	A	9/1977	Chisum	
4,230,163	A	10/1980	Barton	
4,443,990	A	4/1984	Johnson	
5,253,458	A *	10/1993	Christian	52/233
6,164,027	A	12/2000	Ohlund	
6,419,209	B1 *	7/2002	Shepherd	256/24
6,840,507	B2	1/2005	Brown	
D509,906	S *	9/2005	Enersen	D25/38
6,964,410	B1 *	11/2005	Hansen	256/24

* cited by examiner

Primary Examiner—Doris Clark

(74) *Attorney, Agent, or Firm*—Michael S. Kerns

(57) **CLAIM**

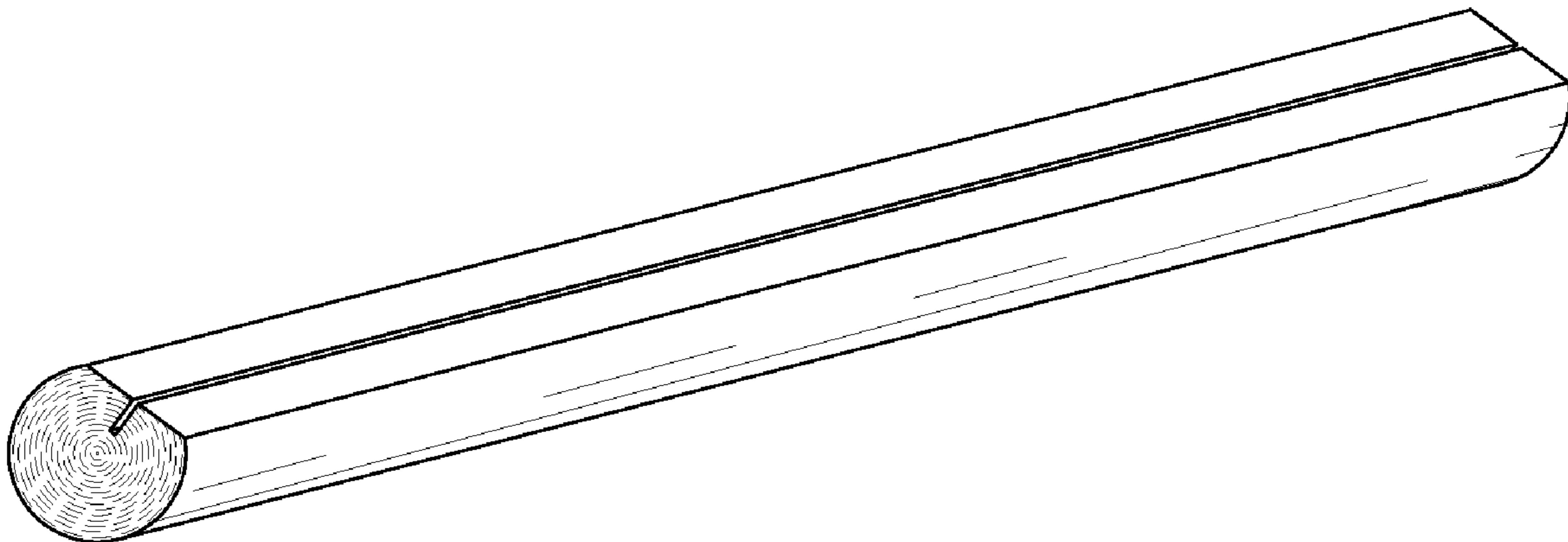
The ornamental design for a fence post, as shown and described.

DESCRIPTION

FIG. 1 is a perspective view of a fence post;
FIG. 2 is a top plan view thereof; the bottom plan being a mirror image thereof;
FIG. 3 is a front elevational view thereof; and,
FIG. 4 is a rear elevational view thereof.

The broken lines shown in the drawing are for illustrative purposes only and form no part of the claimed design.

1 Claim, 1 Drawing Sheet



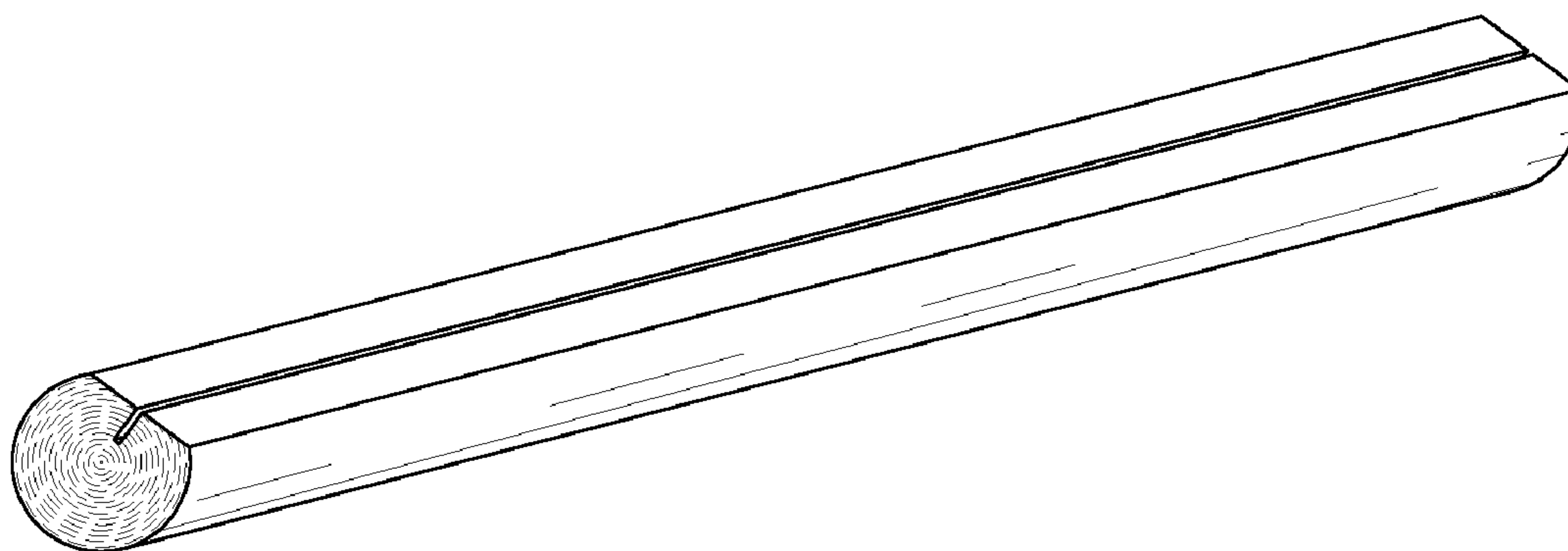


FIG. 1

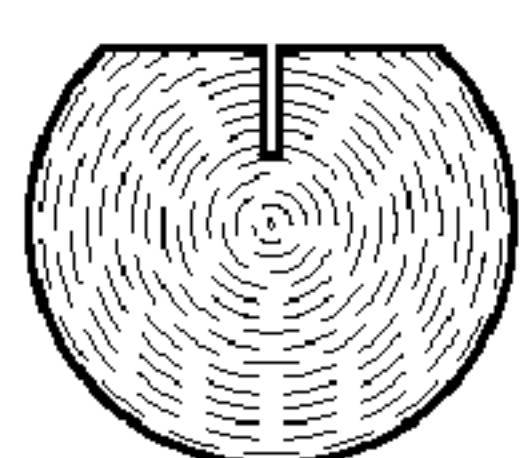


FIG. 2

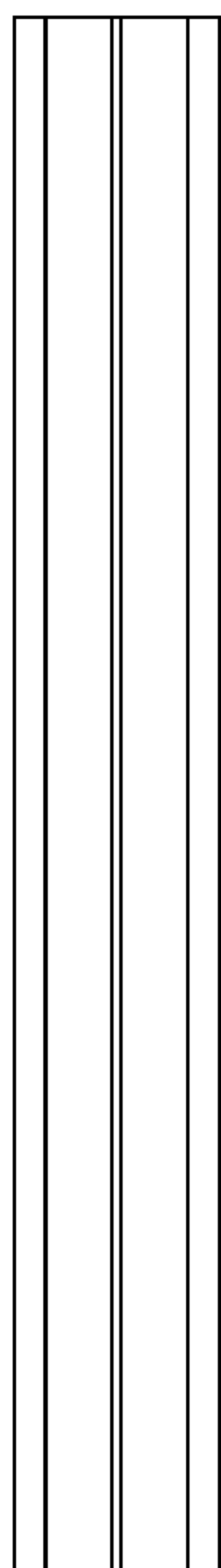


FIG. 3

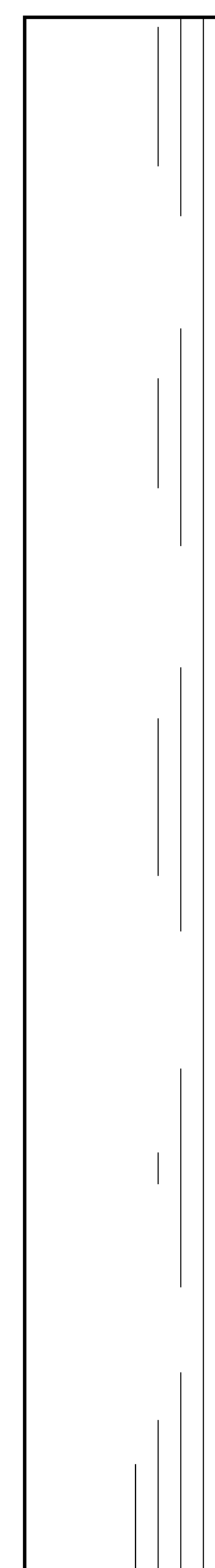


FIG. 4