



US00D619736S

(12) **United States Design Patent**  
**Holman**

(10) **Patent No.:** **US D619,736 S**  
(45) **Date of Patent:** **\*\* Jul. 13, 2010**

(54) **CROWNED DECKING BOARD**

D509,003 S \* 8/2005 Stubbersfield ..... D25/121

(76) Inventor: **Carlyle Holman**, 6854 County Rd., #62,  
Saint Joe, IN (US) 46785

\* cited by examiner

(\*\*) Term: **14 Years**

*Primary Examiner*—Doris Clark

(74) *Attorney, Agent, or Firm*—Barnes & Thornburg LLP

(21) Appl. No.: **29/339,456**

(57) **CLAIM**

(22) Filed: **Jun. 30, 2009**

The ornamental design for a crowned decking board, as shown and described.

(51) **LOC (9) Cl.** ..... **25-01**

(52) **U.S. Cl.** ..... **D25/121**

(58) **Field of Classification Search** ..... D25/121,  
D25/150, 152, 119, 138, 126; 428/106; 119/480,  
119/525, 529, 530; 52/87, 181, 177

See application file for complete search history.

**DESCRIPTION**

FIG. 1 is a perspective view of a crowned decking board in accordance with the present design with the board shown in broken lines indicating an indeterminate length.

FIG. 2 is a front view thereof, with the rear view being the same.

FIG. 3 is a right side elevation view thereof, with the left side being the same.

FIG. 4 is a top plan view thereof; and,

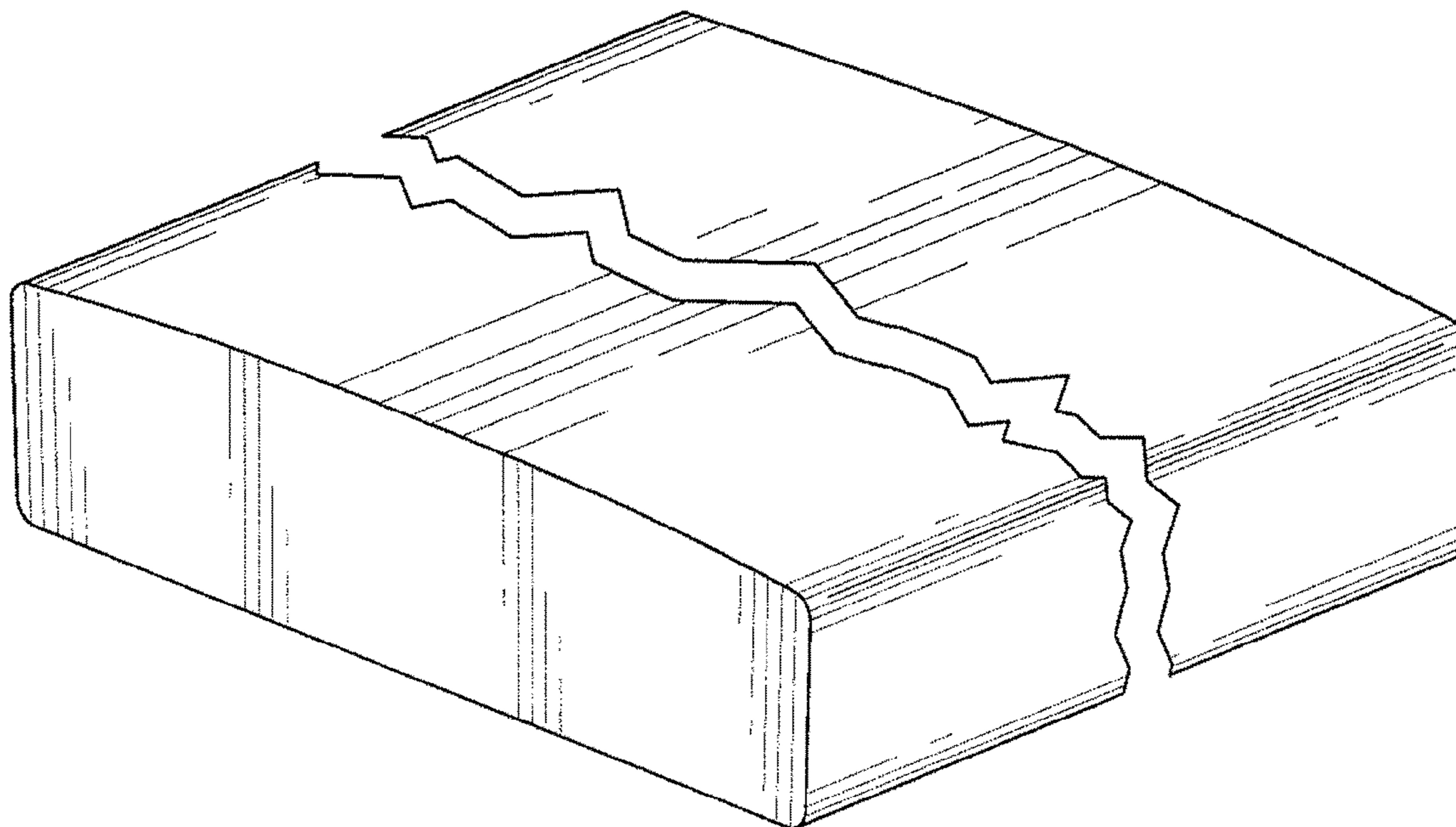
FIG. 5 is a bottom plan view thereof.

(56) **References Cited**

**U.S. PATENT DOCUMENTS**

3,209,500	A *	10/1965	Bernett	.....	52/309.3
3,528,391	A *	9/1970	Johnson	.....	119/529
4,018,188	A *	4/1977	Burdette	.....	119/529
4,135,339	A *	1/1979	Pawlitschek	.....	52/660
5,881,508	A *	3/1999	Irvine et al.	.....	52/177

**1 Claim, 2 Drawing Sheets**



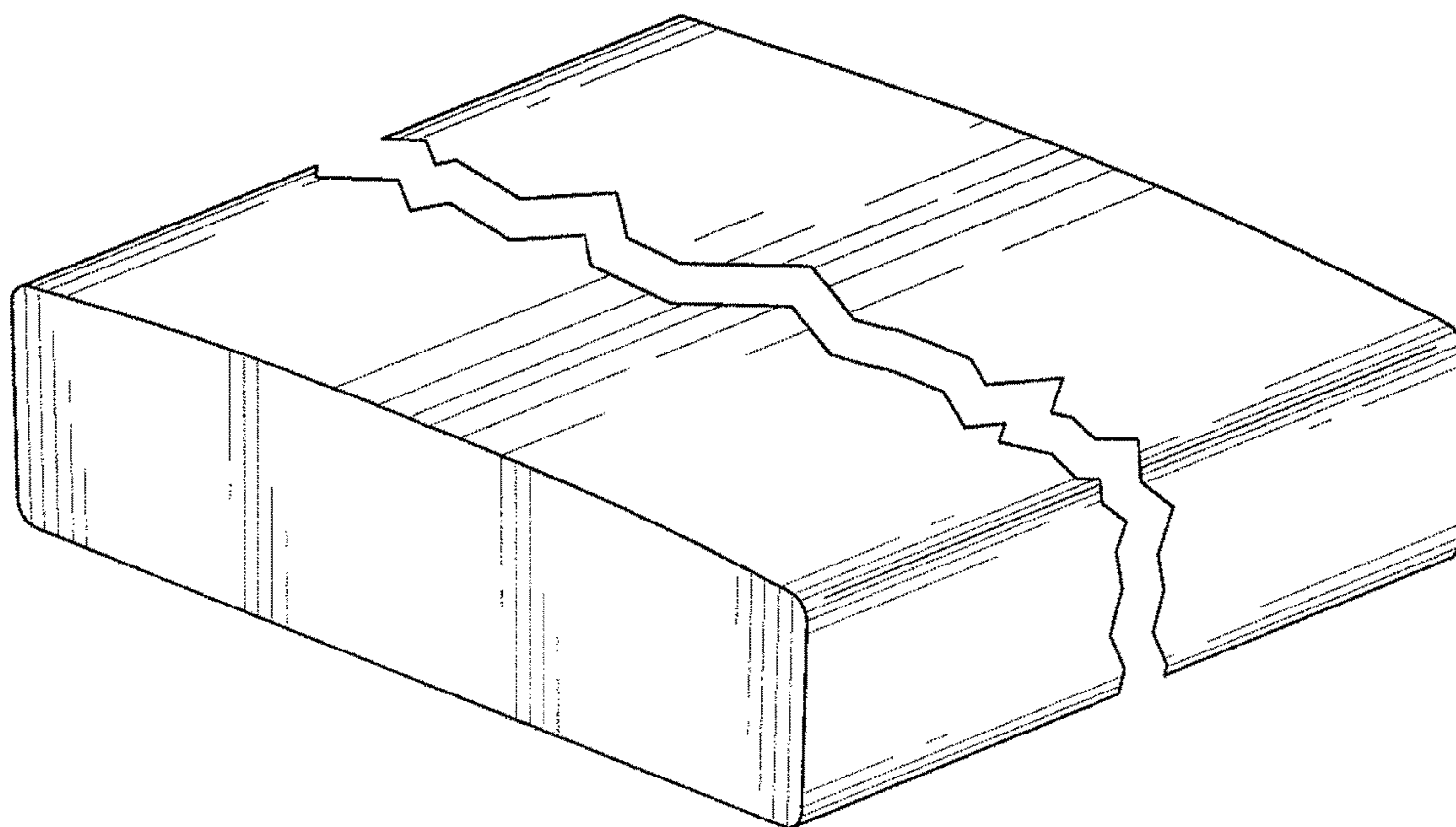


FIG. 1

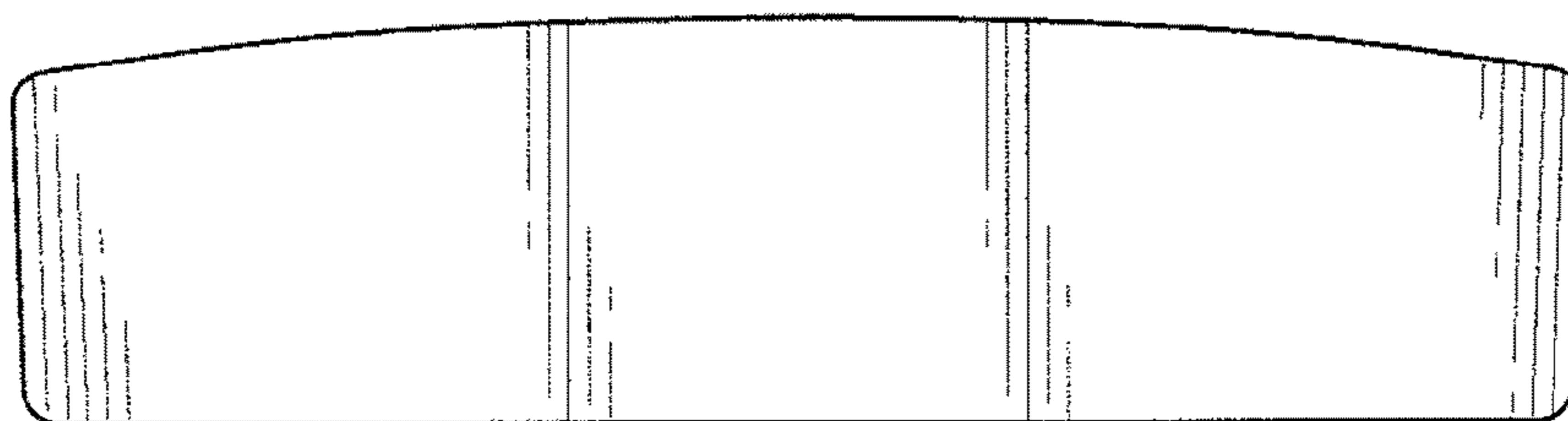


FIG. 2

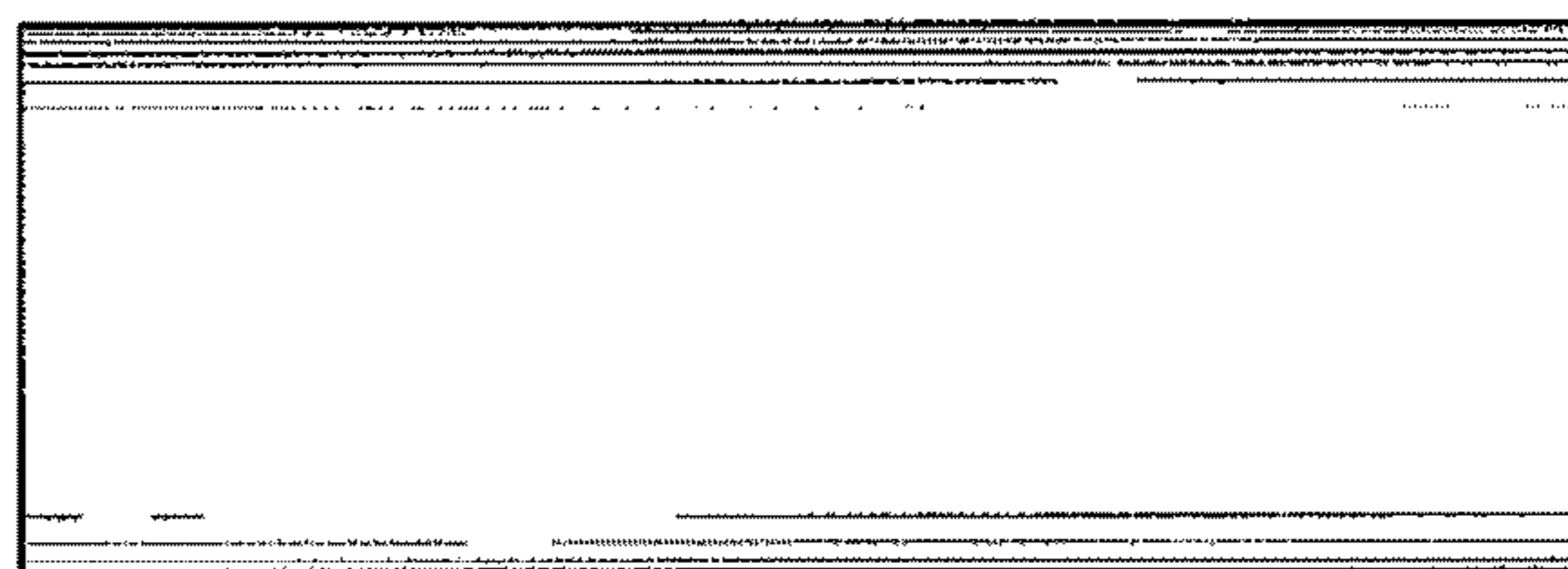
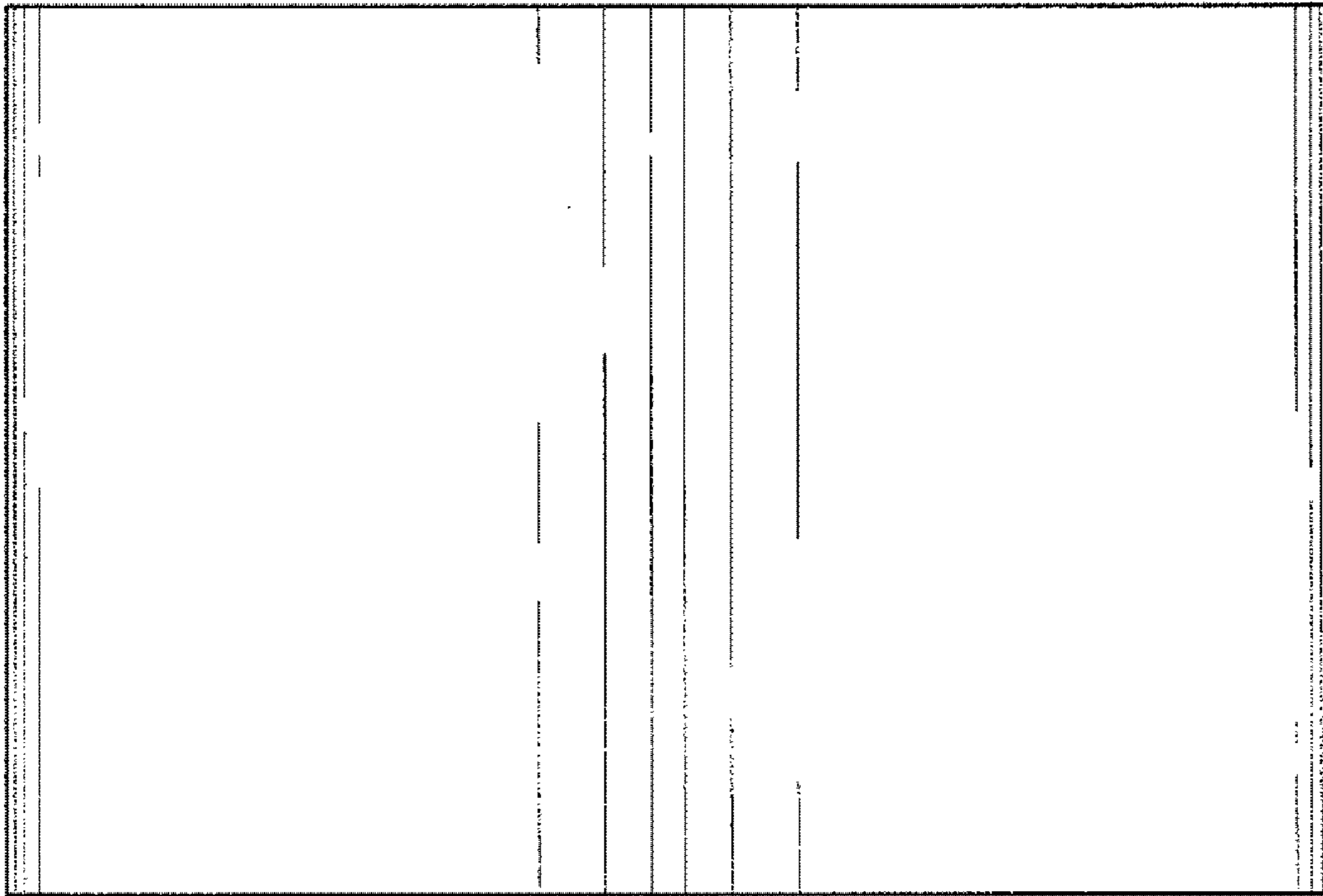
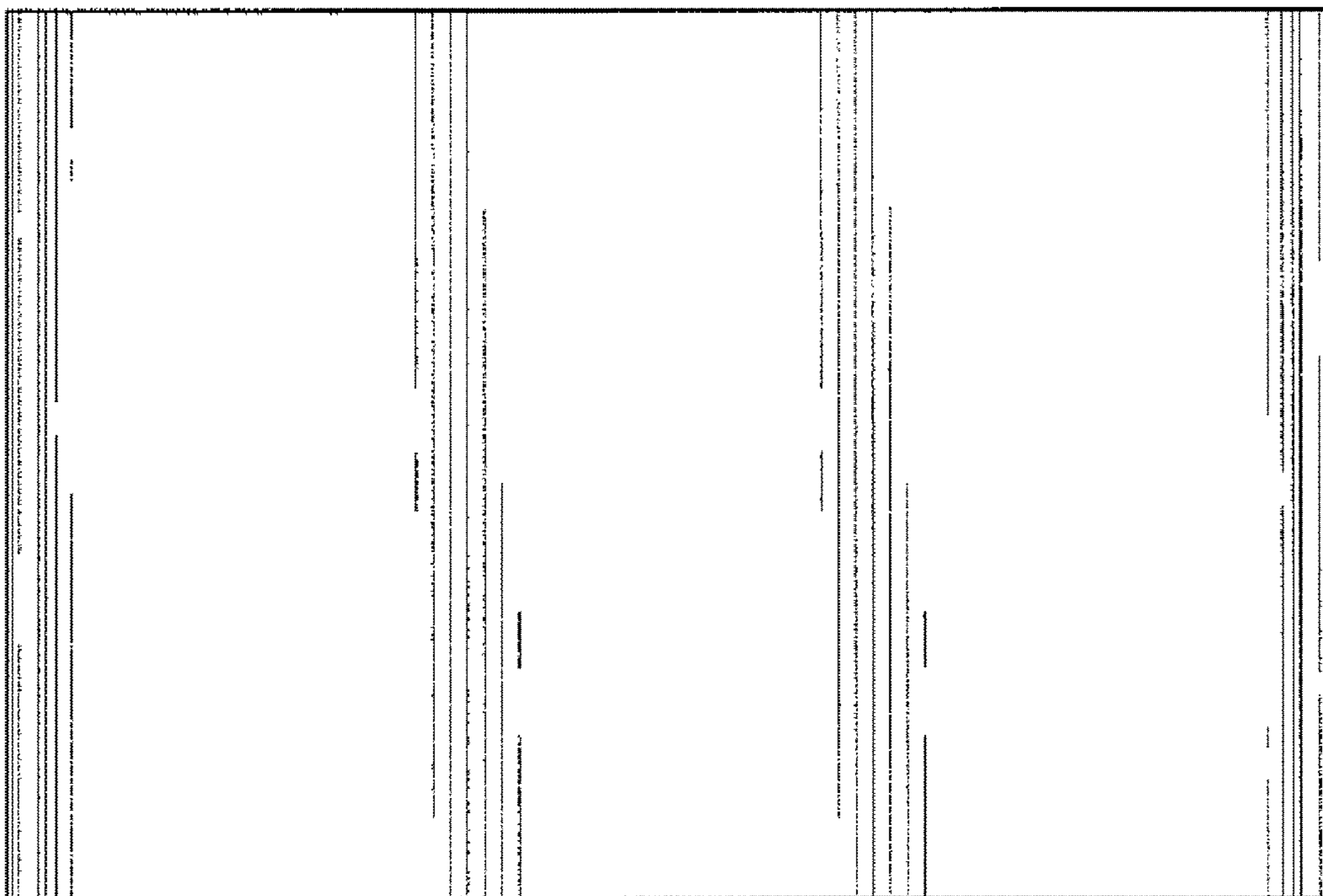


FIG. 3



**FIG. 4**



**FIG. 5**