



US00D619729S

(12) **United States Design Patent**
Bernier

(10) **Patent No.:** **US D619,729 S**

(45) **Date of Patent:** **** Jul. 13, 2010**

(54) **PATIO DOOR FRAME**

(75) Inventor: **Richard Bernier**, Levis (CA)

(73) Assignee: **Dallaire Industries Ltd.**, Levis, Quebec (CA)

(**) Term: **14 Years**

(21) Appl. No.: **29/352,436**

(22) Filed: **Dec. 21, 2009**

(51) **LOC (9) Cl.** **25-01**

(52) **U.S. Cl.** **D25/60; D25/124**

(58) **Field of Classification Search** D25/124,
D25/125, 60; 52/204.1, 204.5, 204.51, 656.5,
52/656.6, 656.2, 730.3, 207; 49/501, 504,
49/DIG. 2, 425, 409

See application file for complete search history.

(56) **References Cited**

U.S. PATENT DOCUMENTS

D394,510 S * 5/1998 Dallaire et al. D25/124
6,968,657 B2 * 11/2005 Siudzinski et al. 52/207
D537,538 S * 2/2007 Wickland D25/124

D608,911 S * 1/2010 Stephens D25/60
2004/0255527 A1 * 12/2004 Chen 52/204.1
2006/0101735 A1 * 5/2006 Silverman 52/204.1

* cited by examiner

Primary Examiner—Doris Clark

(74) *Attorney, Agent, or Firm*—Curtis B. Behmann; Borden
Ladner Gervais LLP

(57) **CLAIM**

The ornamental design for a patio door frame, as shown and described.

DESCRIPTION

FIG. 1 is a top front right perspective view of the design;

FIG. 2 is a front view thereof;

FIG. 3 is a right side view thereof;

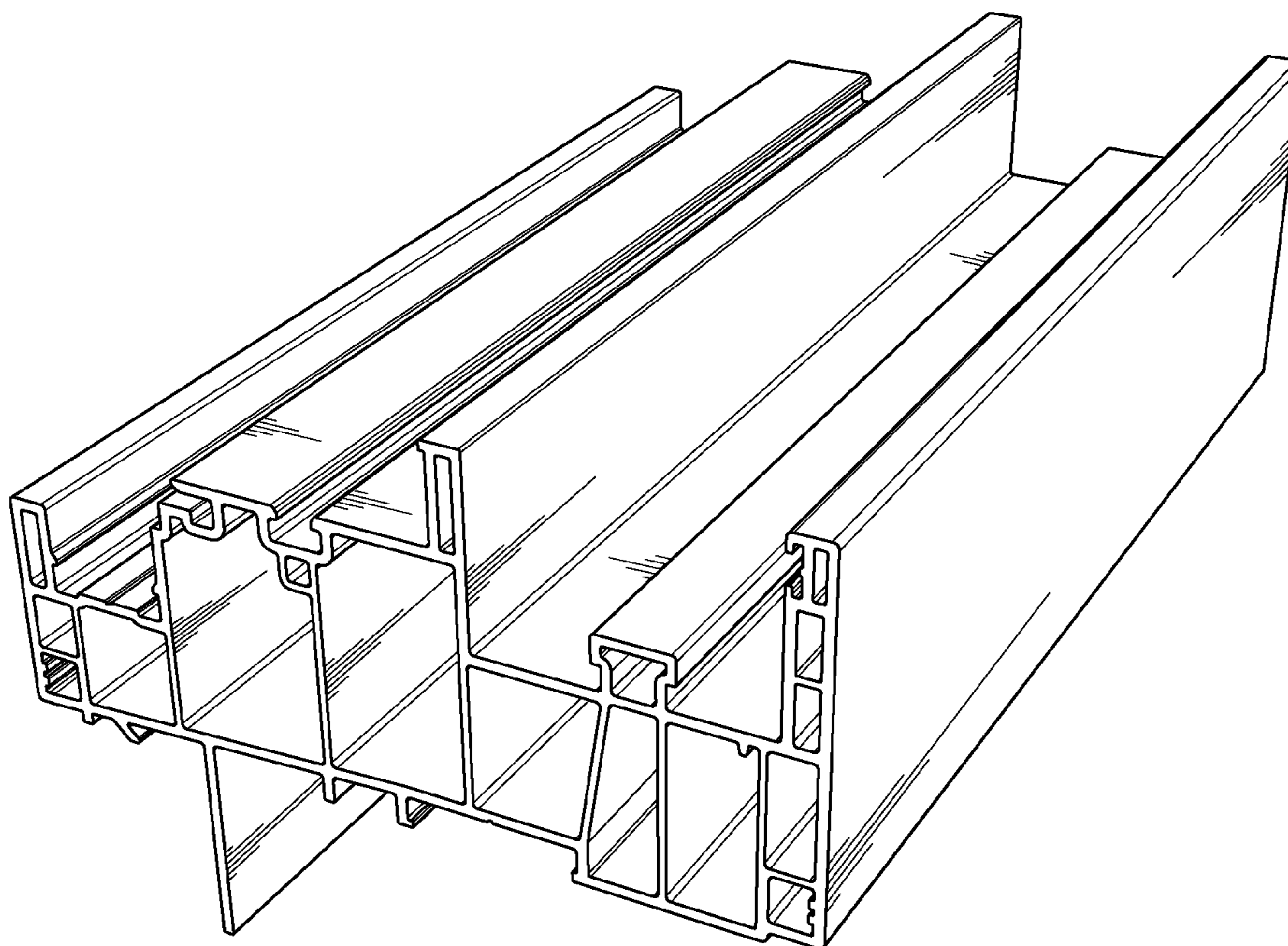
FIG. 4 is a rear view thereof;

FIG. 5 is a top view thereof;

FIG. 6 is a left side view thereof; and,

FIG. 7 is a bottom view thereof.

1 Claim, 7 Drawing Sheets



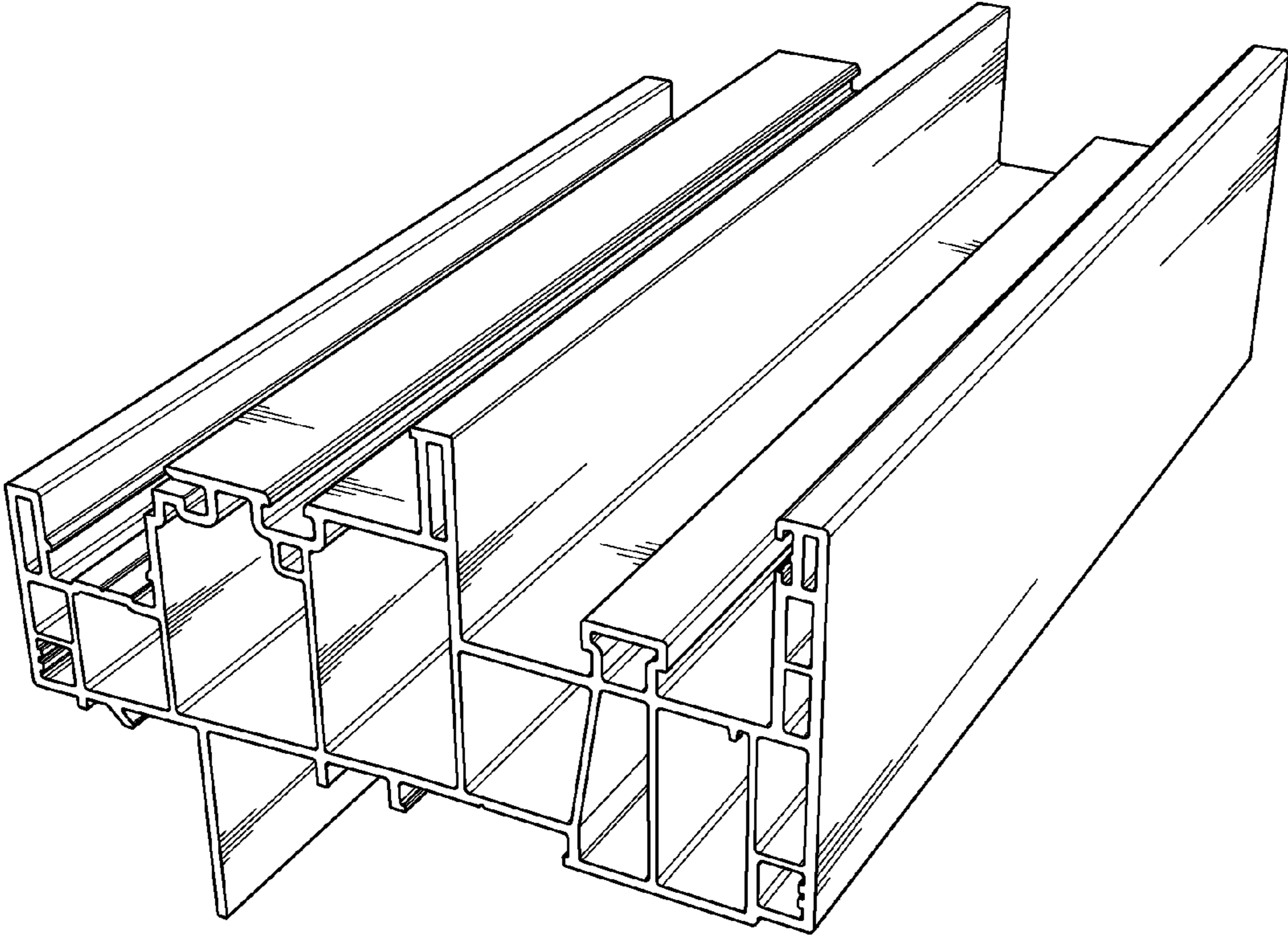


FIG. 1

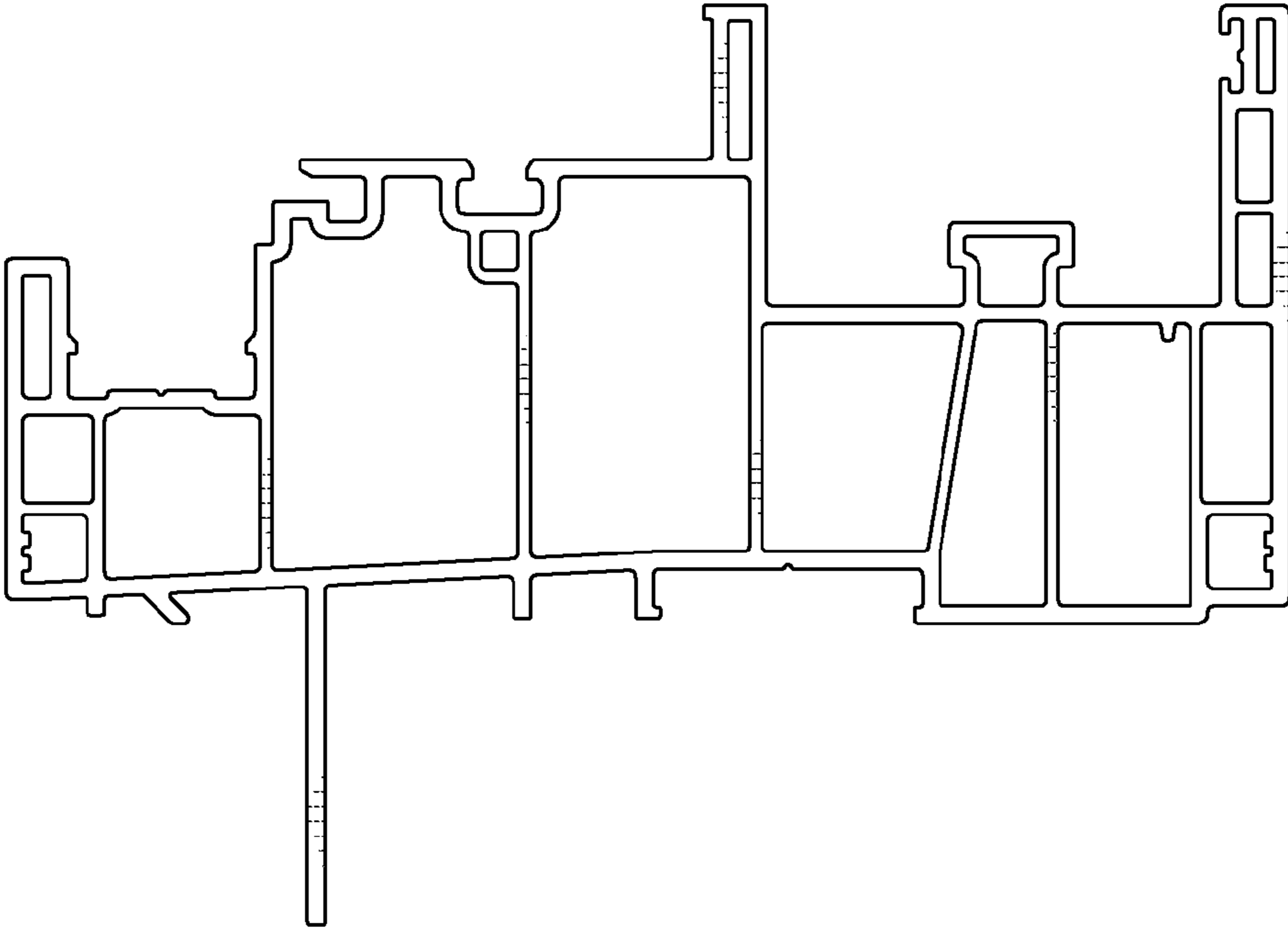


FIG. 2

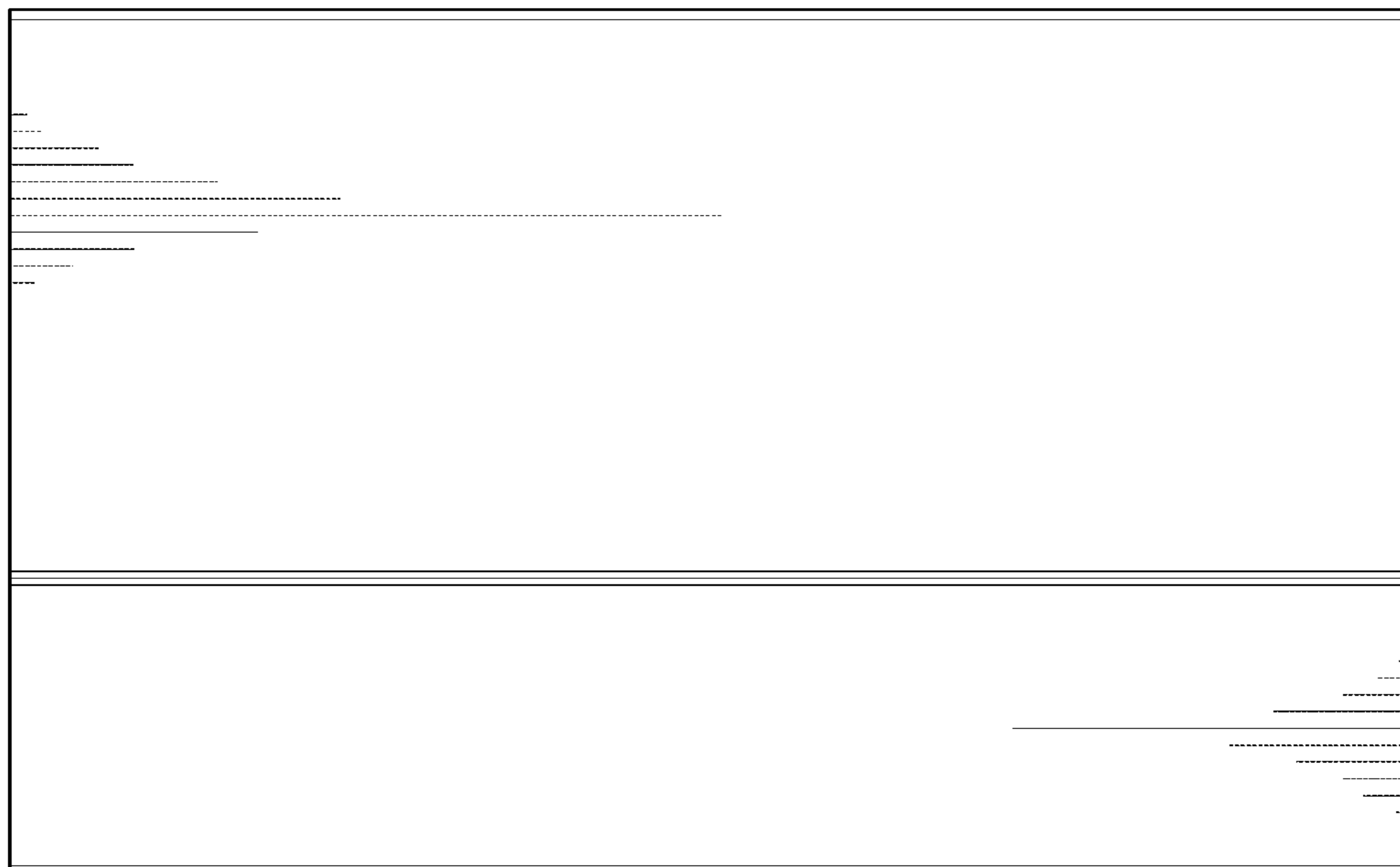


FIG. 3

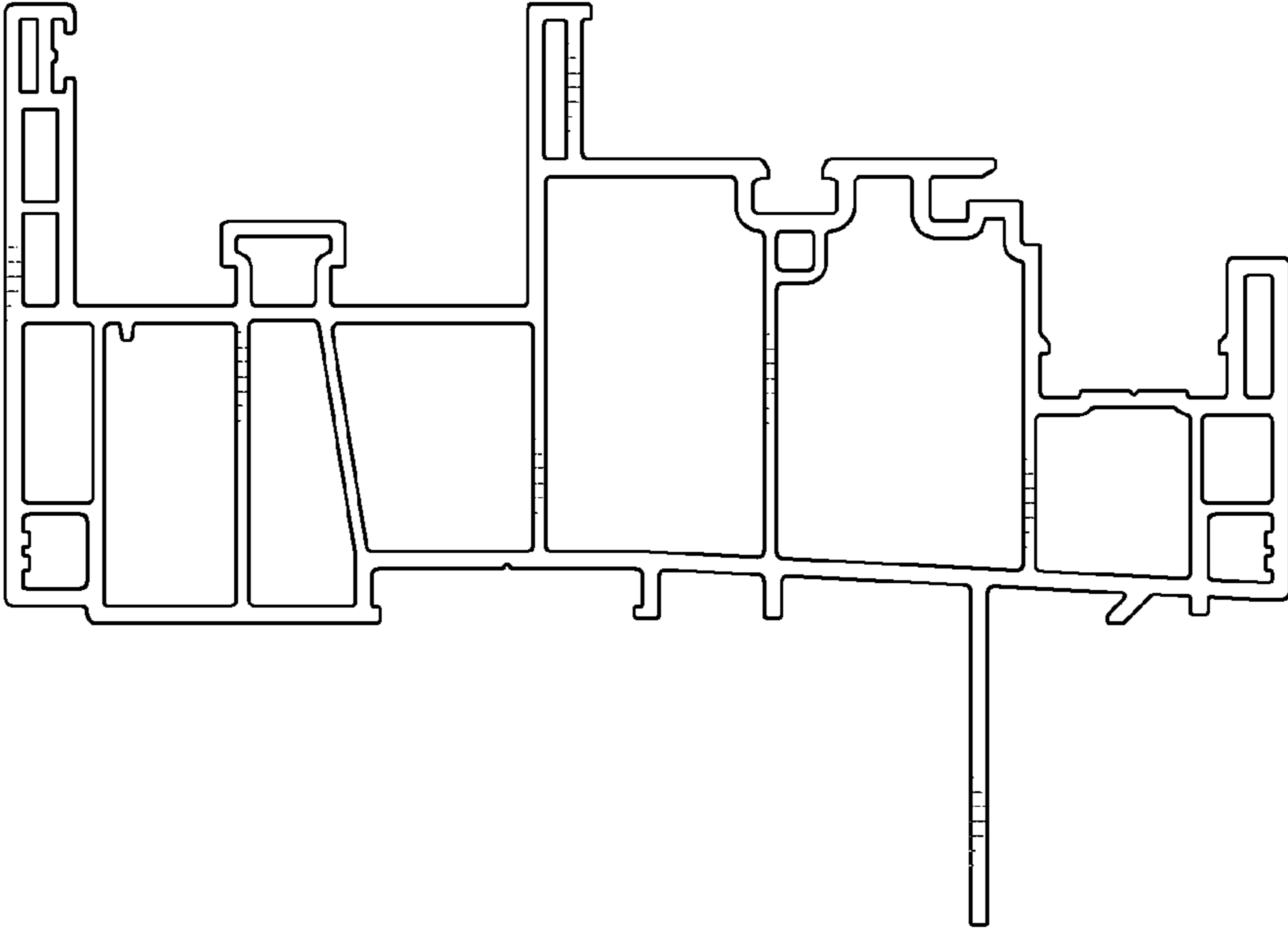


FIG. 4

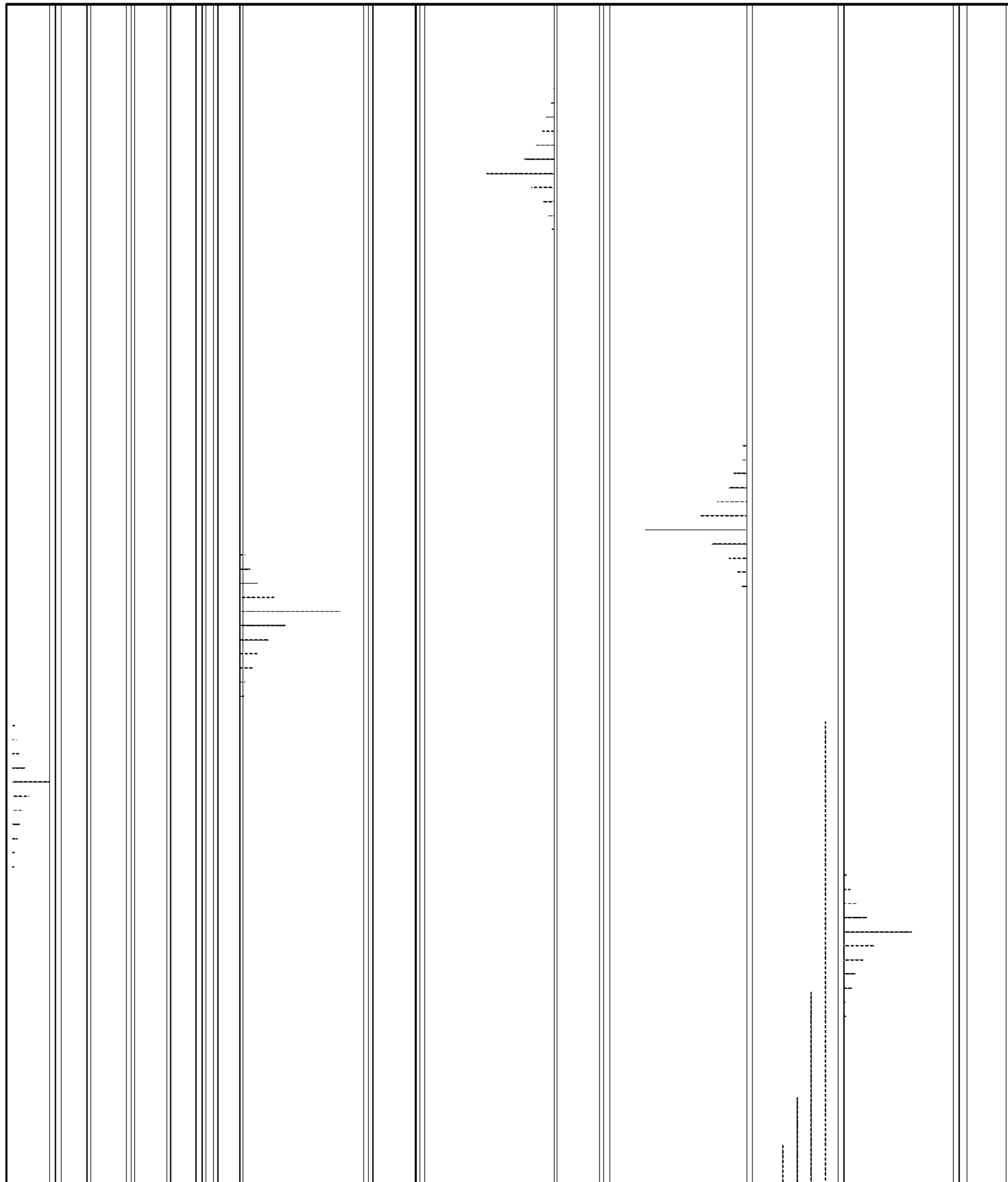


FIG. 5

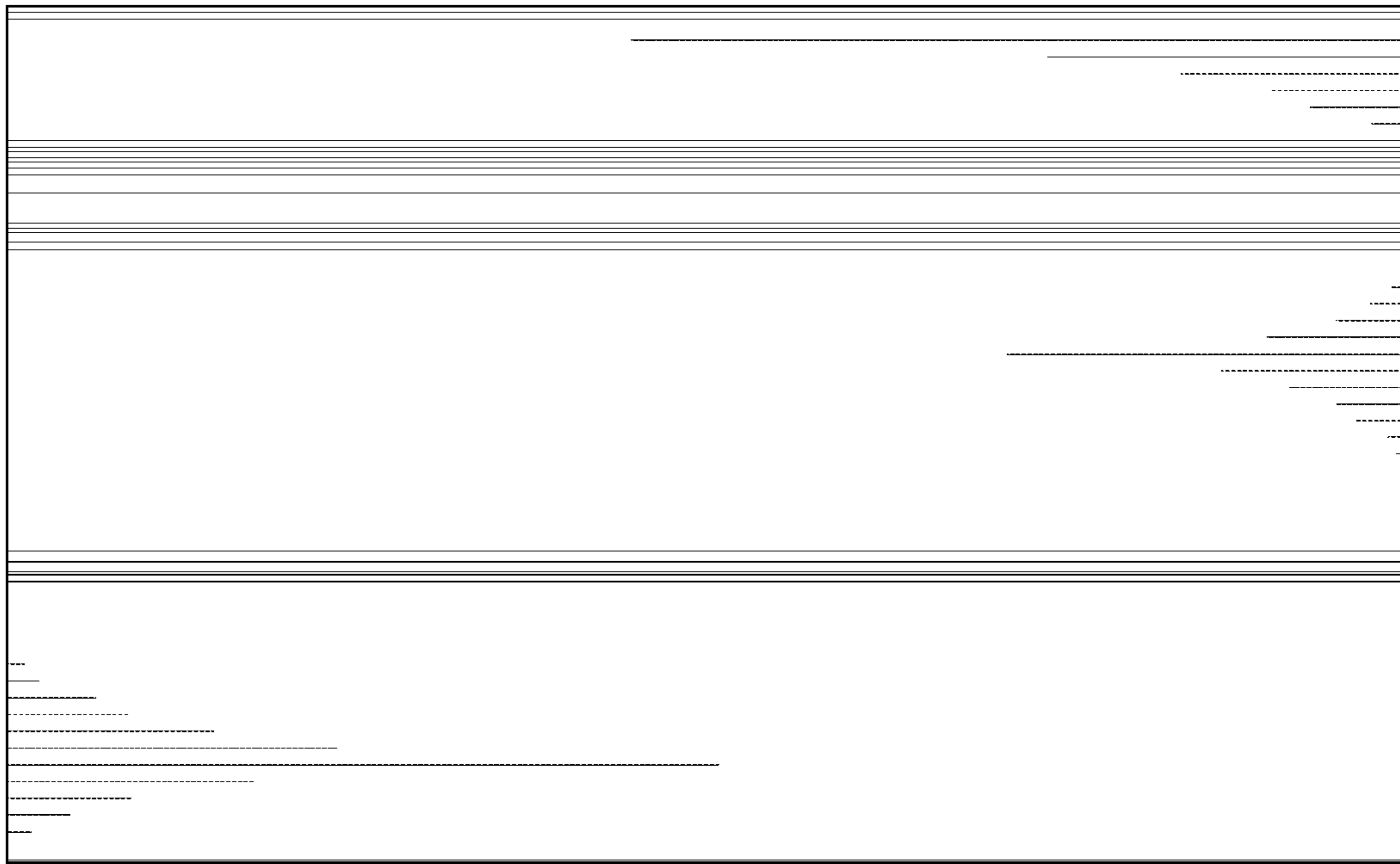


FIG. 6

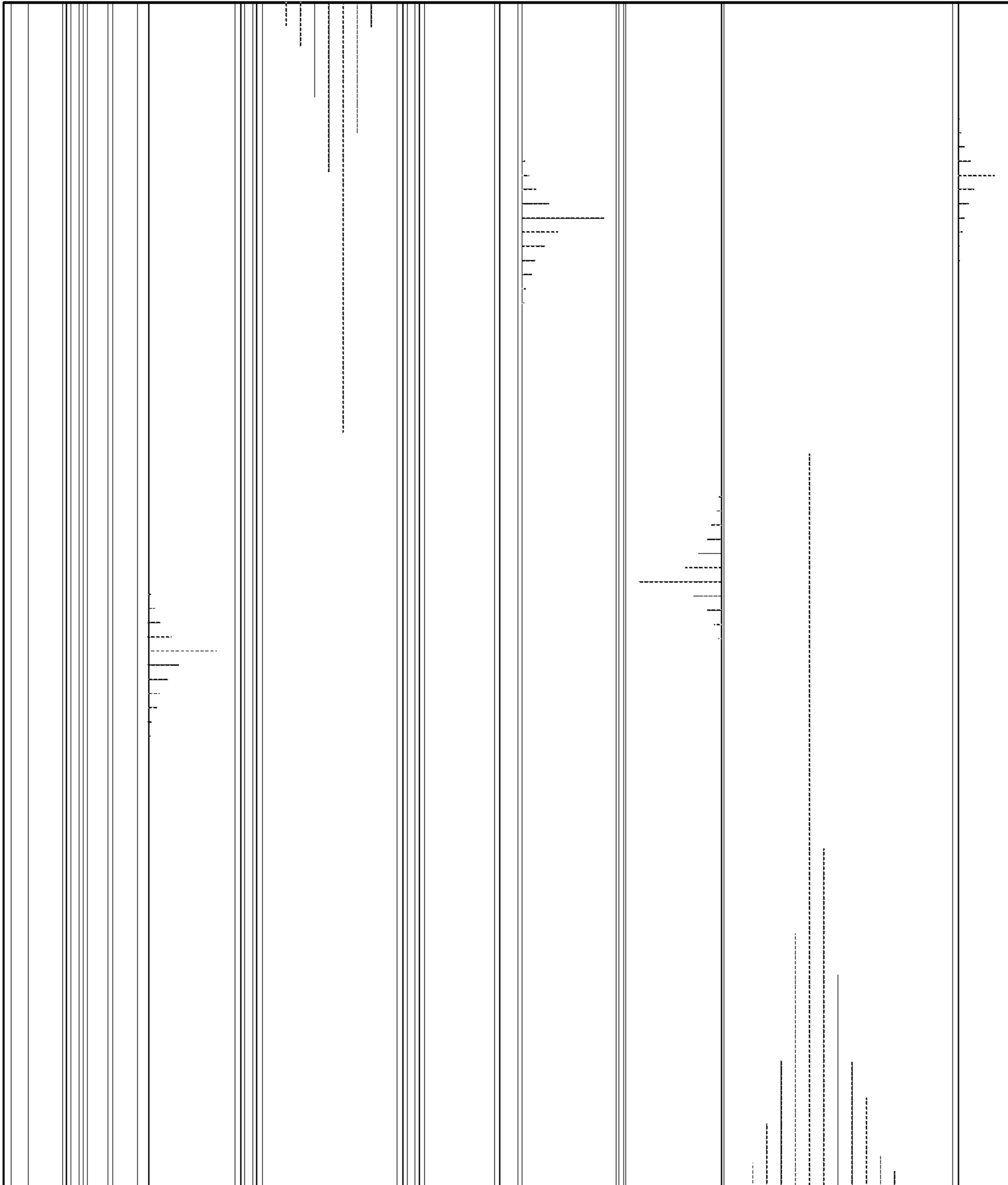


FIG. 7