



US00D619726S

(12) **United States Design Patent**  
**Win**

(10) **Patent No.:** **US D619,726 S**  
(45) **Date of Patent:** **\*\* Jul. 13, 2010**

(54) **SURGICAL PROTECTIVE DEVICE**  
**SUPPORTING STAND**

(76) Inventor: **Jeff Win**, No. 65, Tiansin Village, Yuanli Township, Miaoli County 358 (TW)

(\*\*) Term: **14 Years**

(21) Appl. No.: **29/309,475**

(22) Filed: **Aug. 21, 2008**

(51) **LOC (9) Cl.** ..... **24-01**

(52) **U.S. Cl.** ..... **D24/192**

(58) **Field of Classification Search** ..... D24/188-192;  
602/5-7, 16, 22, 23, 27-29, 64-65; 128/882  
See application file for complete search history.

(56) **References Cited**

U.S. PATENT DOCUMENTS

4,517,968	A *	5/1985	Greene et al.	602/27
5,056,509	A *	10/1991	Swearington	602/29
5,078,128	A	1/1992	Grim et al.	
5,094,232	A *	3/1992	Harris et al.	602/16
5,242,379	A *	9/1993	Harris et al.	602/27
5,902,259	A *	5/1999	Wilkerson	602/27
5,951,504	A *	9/1999	Iglesias et al.	602/27
6,146,350	A *	11/2000	Morton	602/27
D436,177	S *	1/2001	Miller	D24/192
6,350,246	B1 *	2/2002	DeToro et al.	602/27
D473,654	S	4/2003	Iglesias et al.	
D481,460	S *	10/2003	Doty et al.	D24/190
6,656,145	B1 *	12/2003	Morton	602/27
D495,058	S *	8/2004	Slautterback et al.	D24/192
D495,420	S *	8/2004	Katz et al.	D24/192
7,288,076	B2 *	10/2007	Grim et al.	602/5
7,364,561	B1 *	4/2008	Morton	602/23

7,524,295	B1 *	4/2009	Peters et al.	602/5
D596,301	S *	7/2009	Campos et al.	D24/192
7,563,238	B1 *	7/2009	Breashears	602/27
7,569,022	B2 *	8/2009	Morinaka	602/16
7,597,674	B2 *	10/2009	Hu et al.	602/23
7,615,026	B1 *	11/2009	Peters et al.	602/23
7,662,117	B2 *	2/2010	Parizot	602/5
7,666,157	B2 *	2/2010	Win	602/23
2006/0004310	A1 *	1/2006	Parizot	602/5
2009/0306565	A1 *	12/2009	Chan	602/28

\* cited by examiner

*Primary Examiner*—Philip S Hyder

*Assistant Examiner*—Susan E Krakower

(74) *Attorney, Agent, or Firm*—Rosenberg, Klein & Lee

(57) **CLAIM**

The ornamental design for a surgical protective device supporting stand, as shown and described.

**DESCRIPTION**

FIG. 1 is a perspective view of a surgical protective device supporting stand showing my new design;

FIG. 2 is a front elevational view thereof;

FIG. 3 is a rear elevational view thereof;

FIG. 4 is a left side view thereof;

FIG. 5 is a right side view thereof;

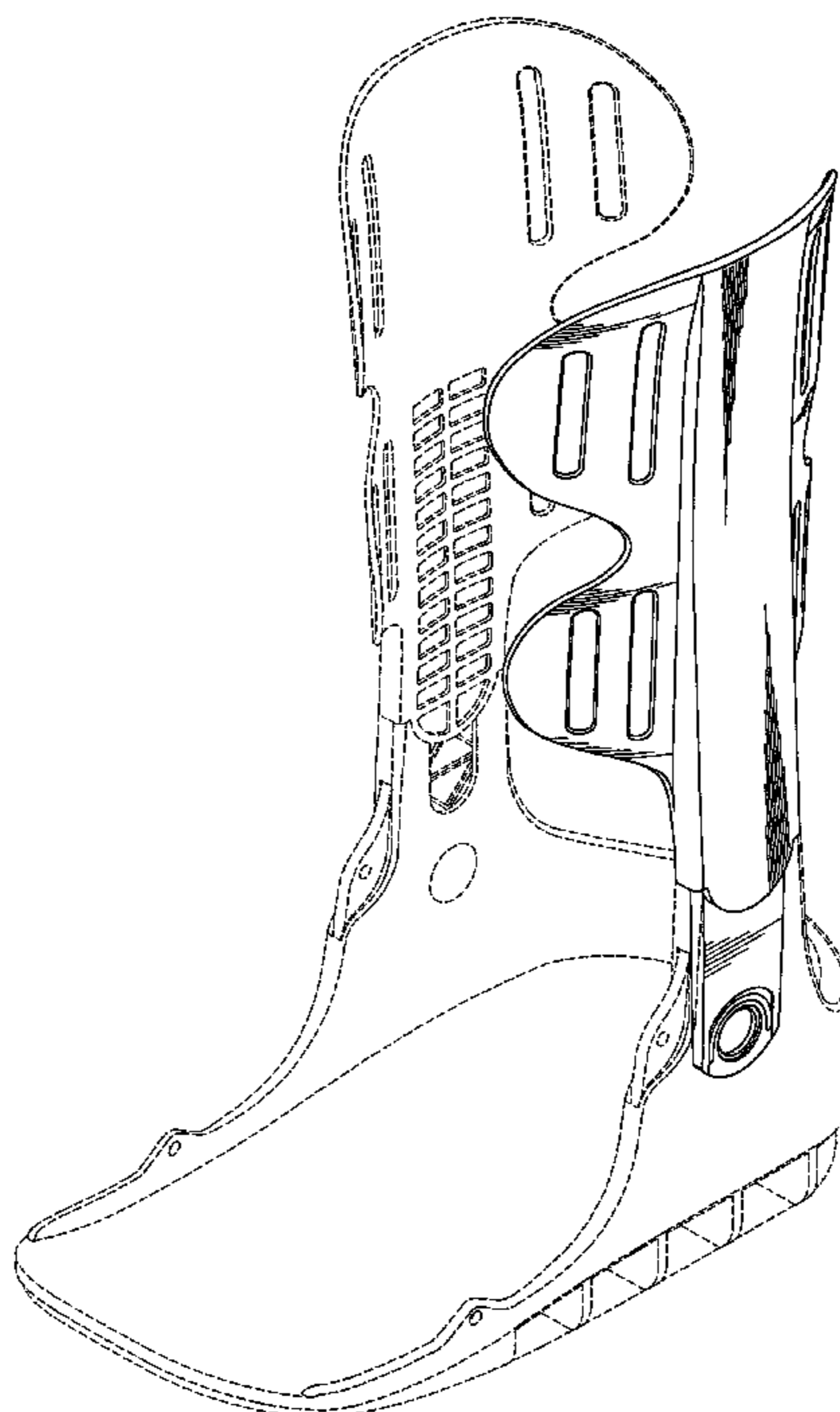
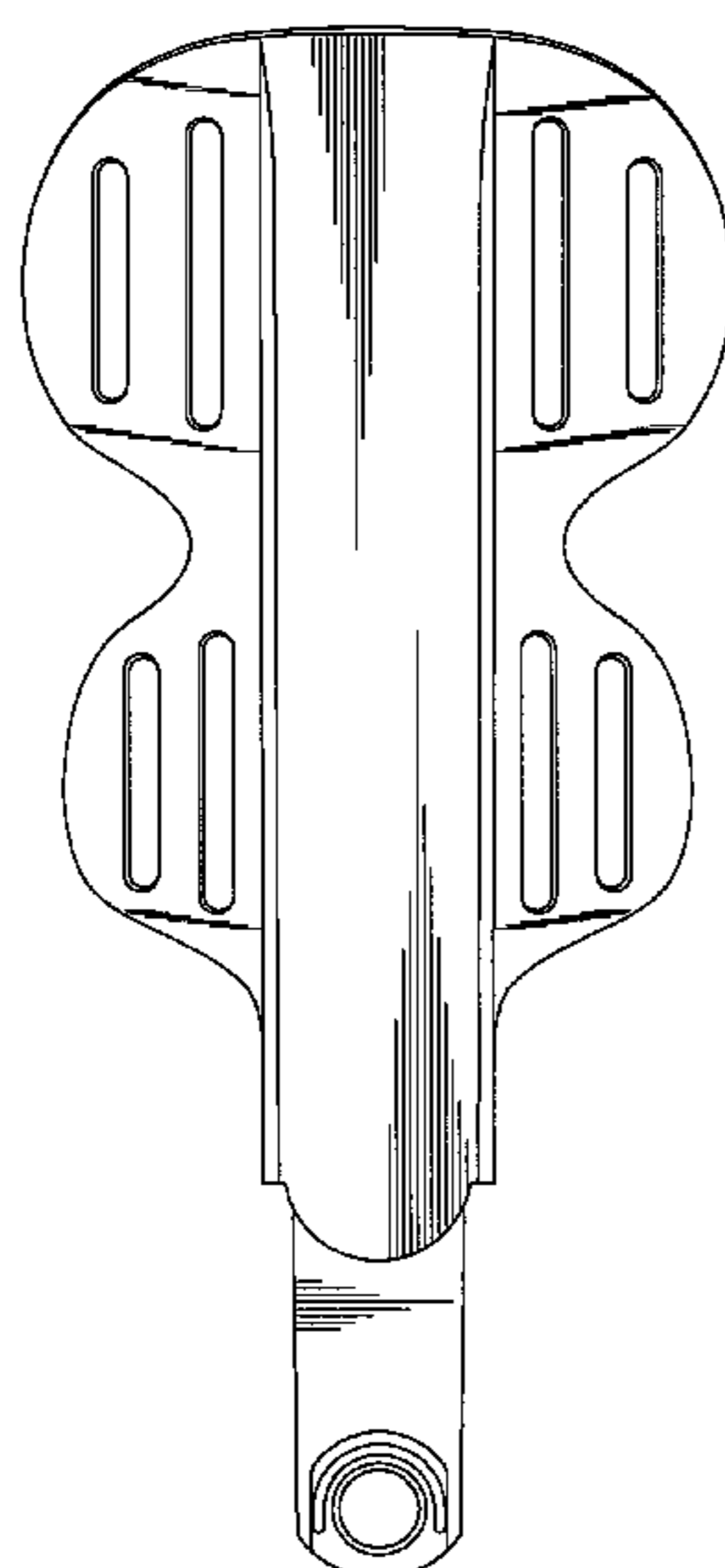
FIG. 6 is a top plain view thereof;

FIG. 7 is a bottom plain view thereof; and,

FIG. 8 is a perspective view thereof.

The broken lines illustrate environmental structure and form no part of the claimed design.

**1 Claim, 6 Drawing Sheets**



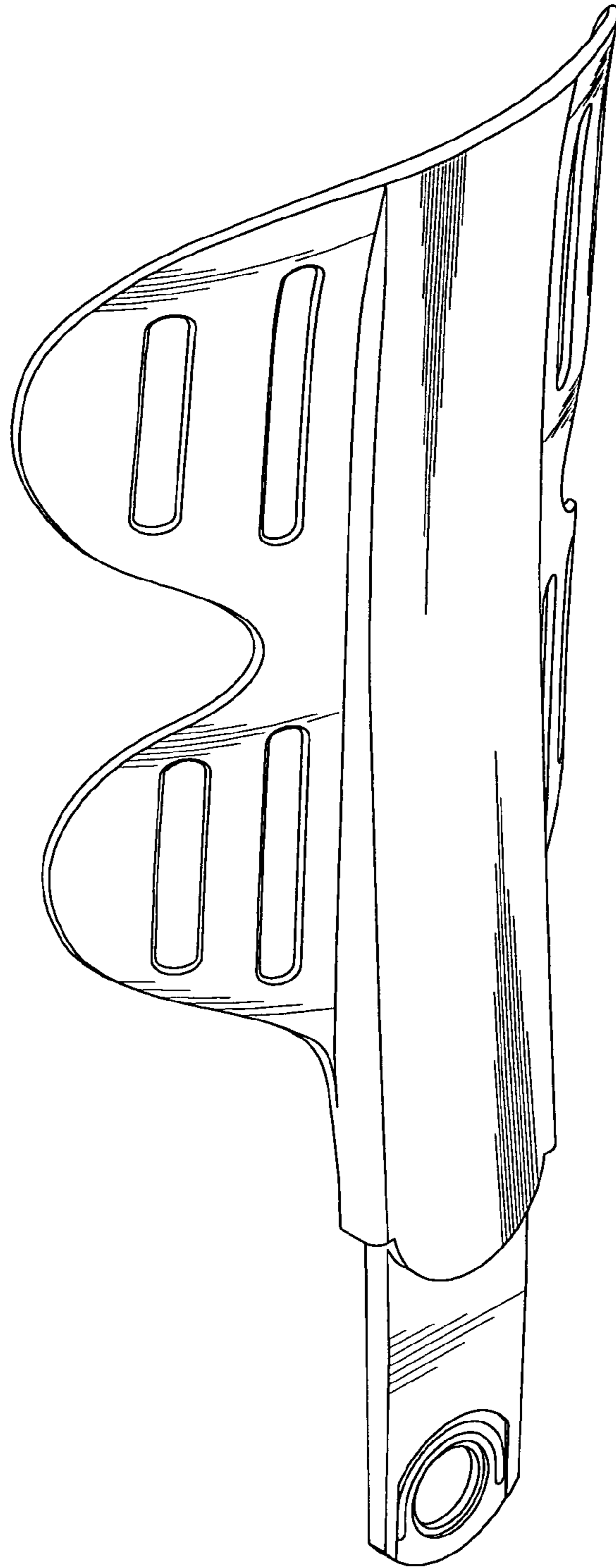


FIG. 1

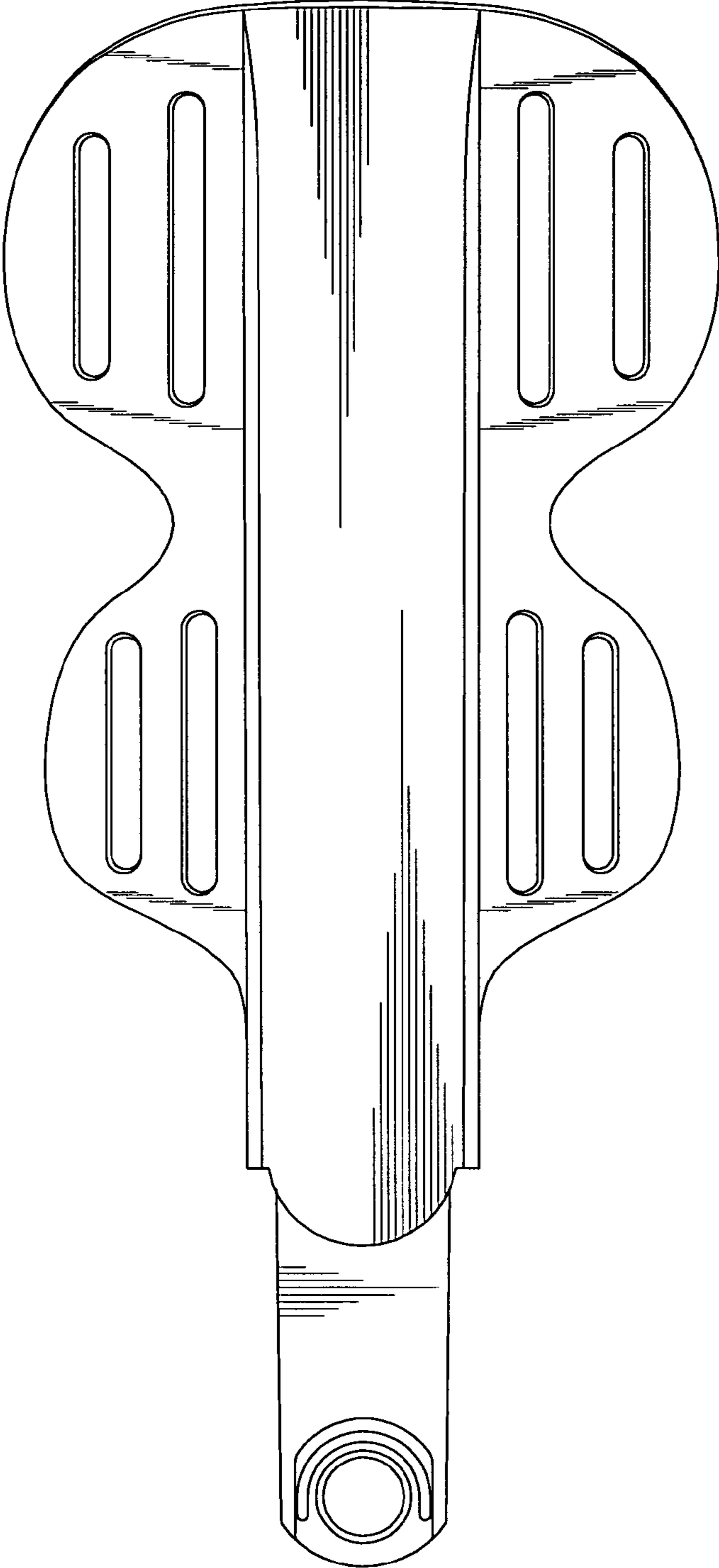


FIG. 2

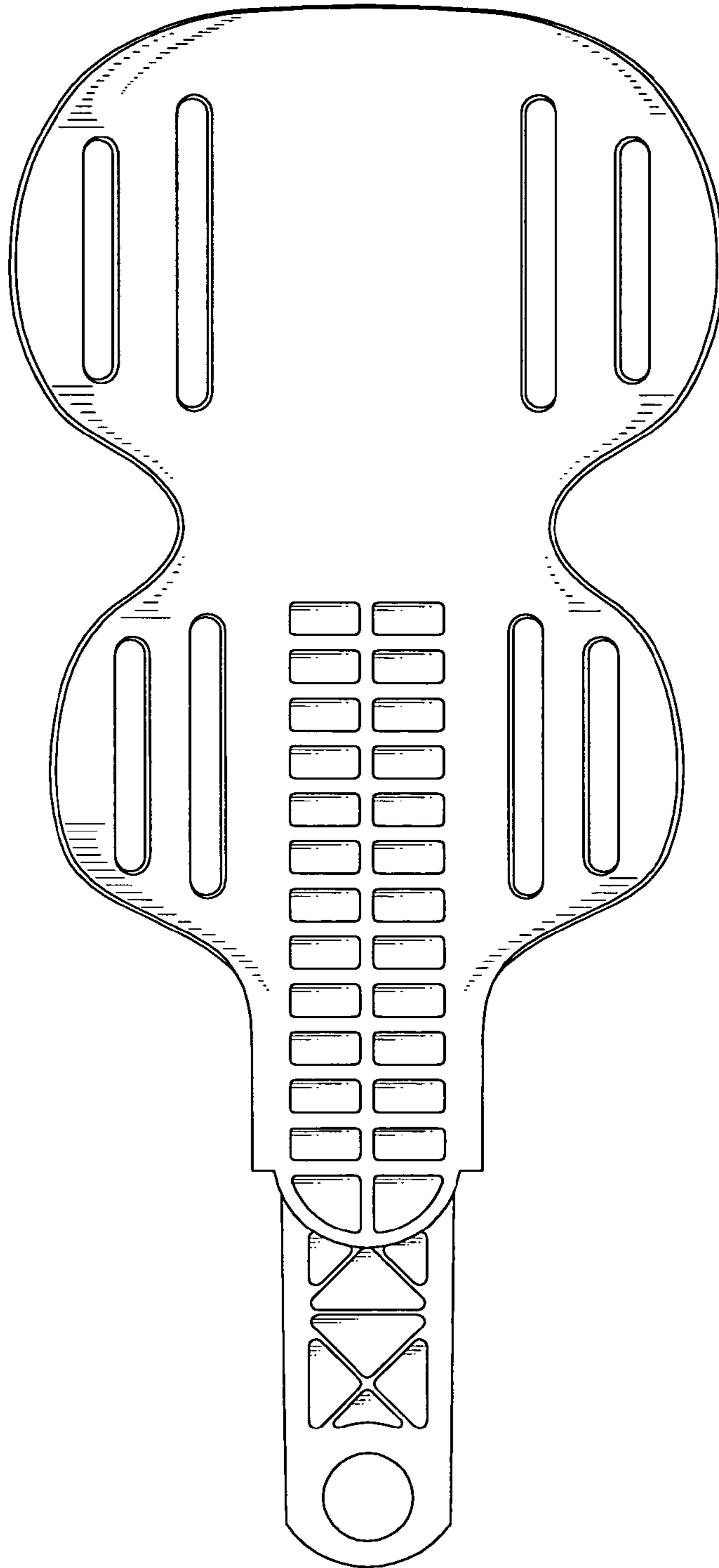


FIG. 3

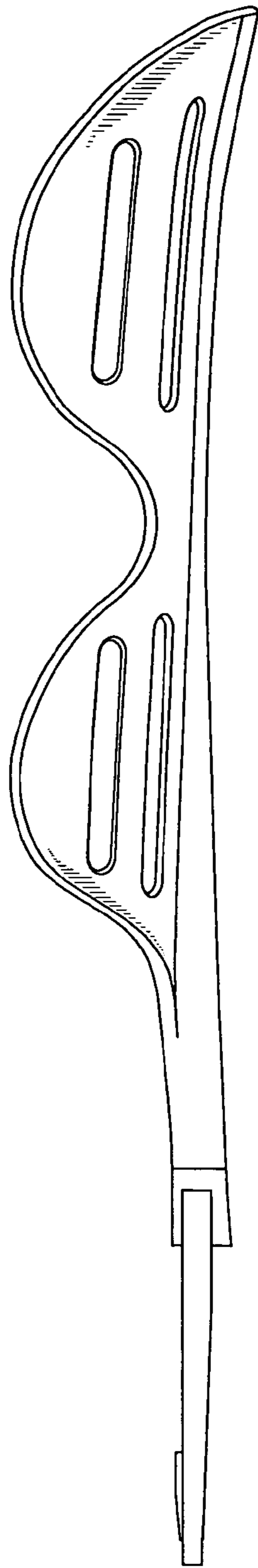


FIG. 4

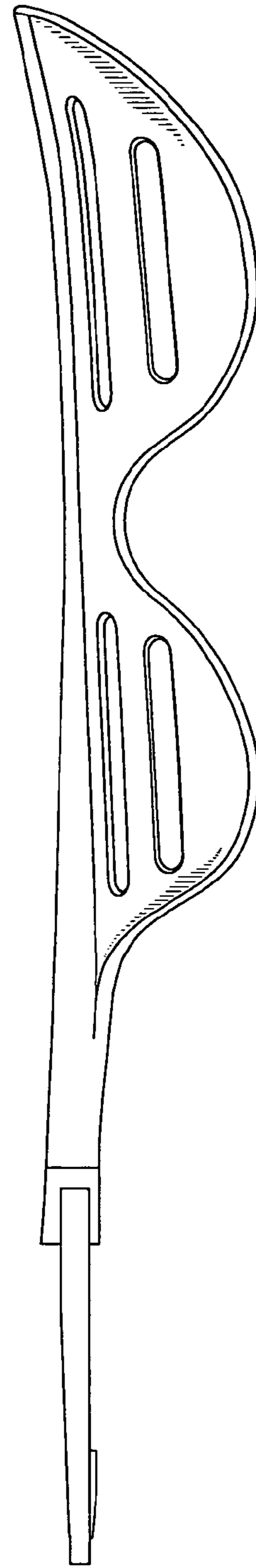


FIG. 5

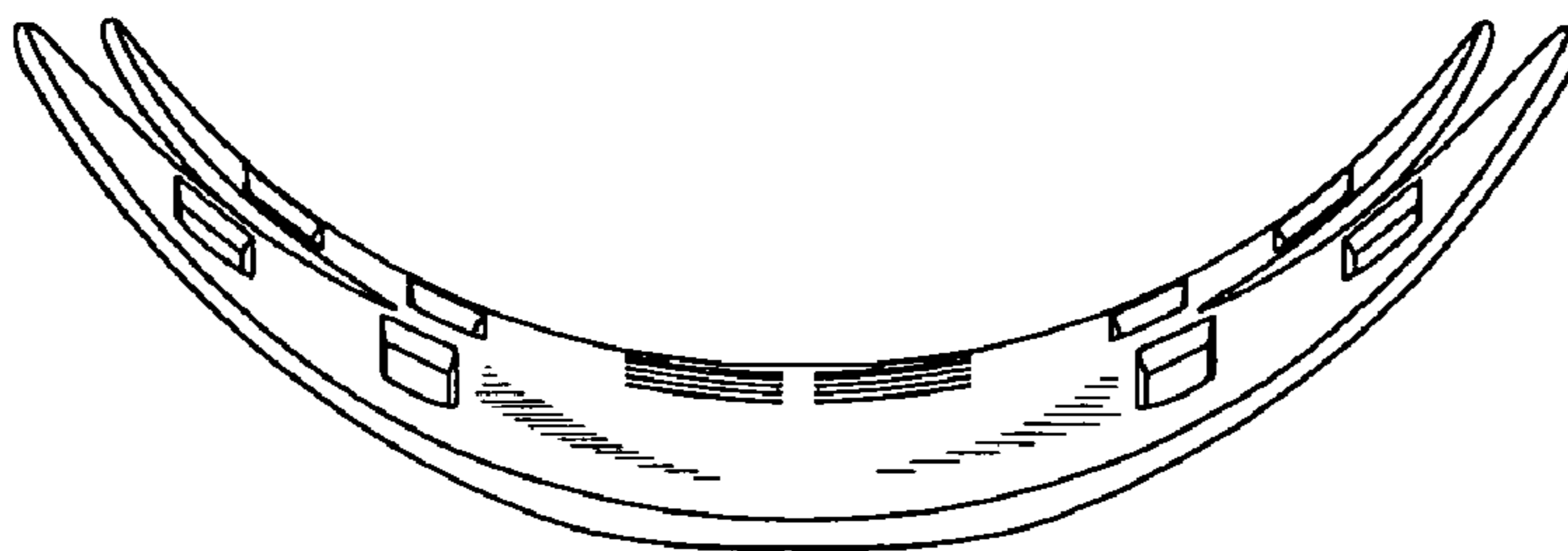


FIG. 6

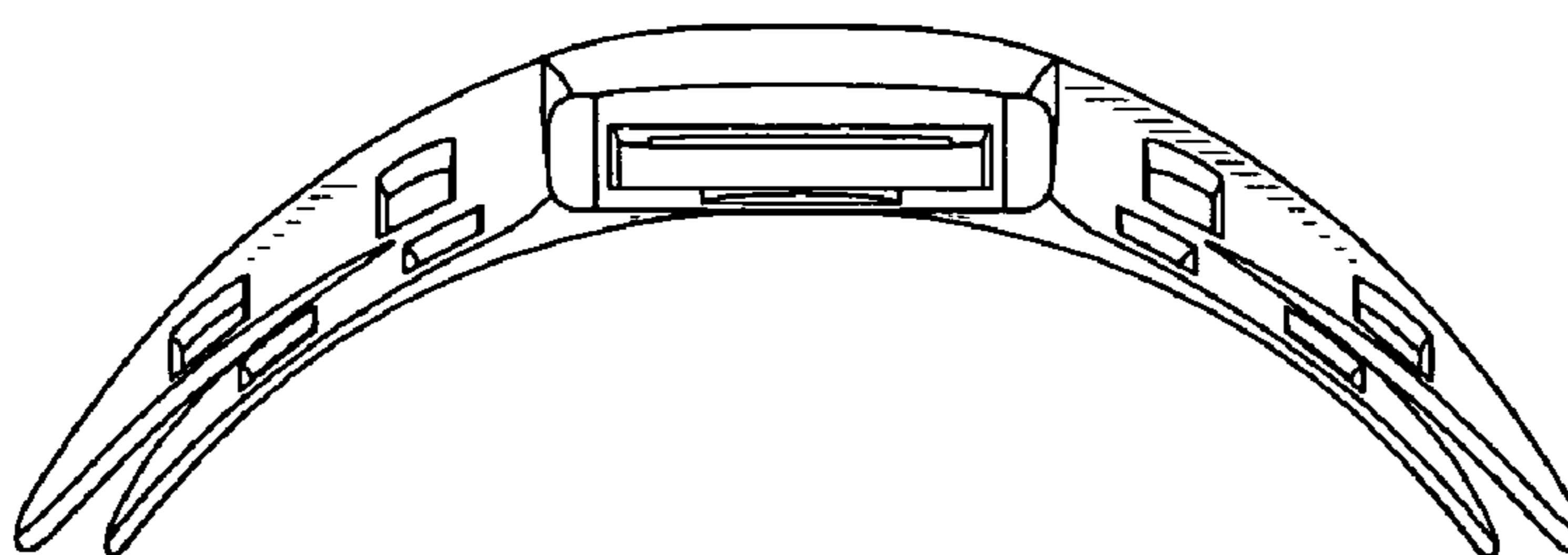


FIG. 7



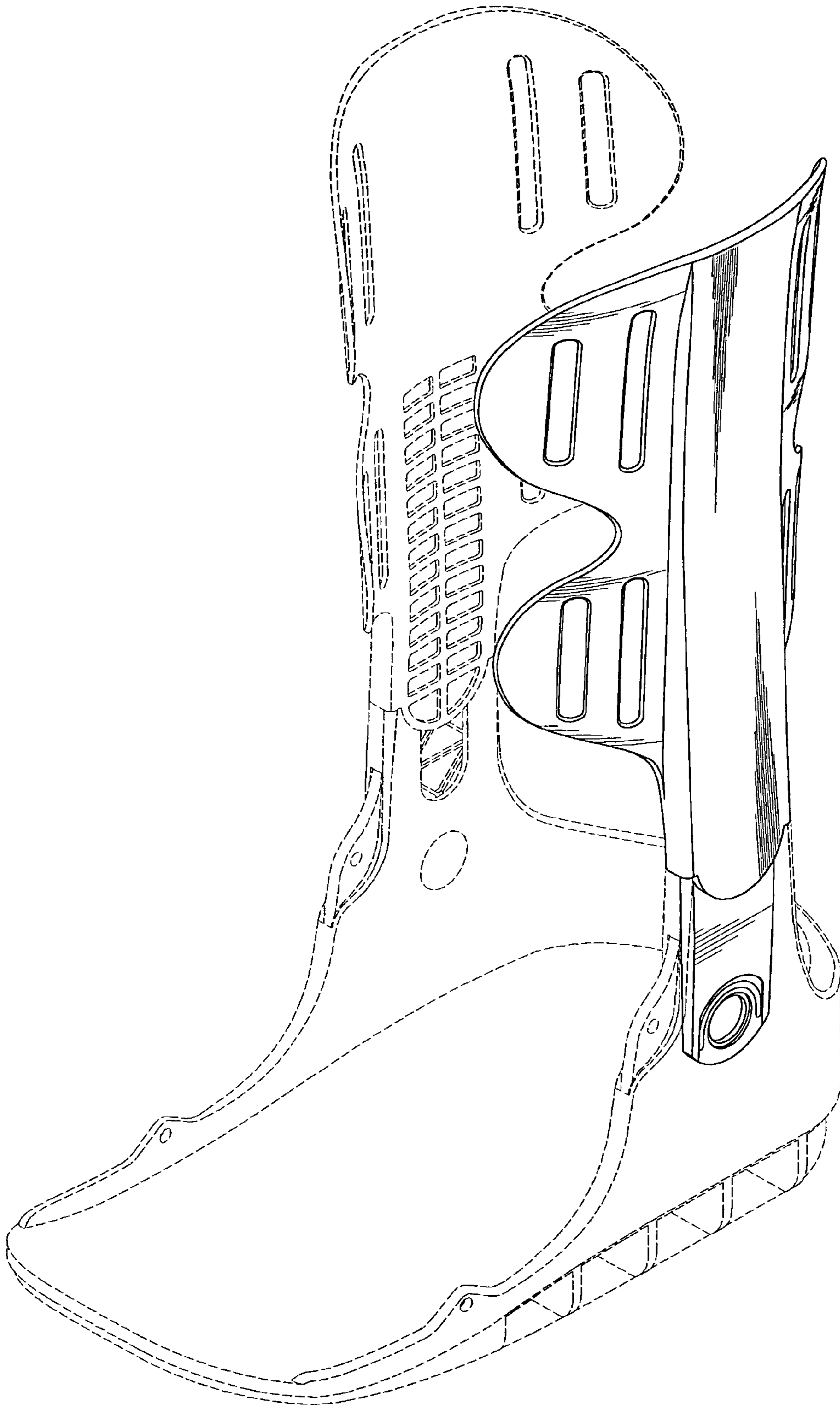


FIG. 8