



US00D619722S

(12) **United States Design Patent**
Pierce et al.

(10) **Patent No.:** **US D619,722 S**
(45) **Date of Patent:** **** Jul. 13, 2010**

(54) **PORTABLE PHYSICAL THERAPY AND EXERCISE TABLE**

(76) Inventors: **Linda R. Pierce**, 2613 Chronister Farm Rd., York, PA (US) 17402; **Eric R. Pierce**, 2613 Chronister Farm Rd., York, PA (US) 17402

(**) Term: **14 Years**

(21) Appl. No.: **29/346,497**

(22) Filed: **Nov. 2, 2009**

(51) **LOC (9) Cl.** **24-02**

(52) **U.S. Cl.** **D24/183**

(58) **Field of Classification Search** D24/36,
D24/64, 183-184; D6/595-596, 601, 604-605,
D6/429, 392; 5/110-111, 431-437, 490,
5/613, 636-637, 639-640, 648, 706, 710,
5/713, 620; 601/11, 652-654; 108/36, 132;
606/242

See application file for complete search history.

(56) **References Cited**

U.S. PATENT DOCUMENTS

4,333,638	A *	6/1982	Gillotti	5/613
4,654,907	A	4/1987	Haugaard	
D295,349	S *	4/1988	Mueller	D6/429
4,833,998	A *	5/1989	Everett et al.	108/36
4,856,497	A *	8/1989	Westphal	606/242
4,905,990	A	3/1990	DeSantis	
4,943,041	A *	7/1990	Romein	5/620
5,009,170	A *	4/1991	Spehar	108/36
5,009,179	A	4/1991	Spehar	
D328,533	S *	8/1992	Mueller	D6/392
5,335,676	A *	8/1994	O'Brien	5/620

5,524,555	A *	6/1996	Fanuzzi	108/132
5,720,057	A	2/1998	Duncan	
D403,772	S *	1/1999	Fanuzzi	D24/183
6,000,345	A *	12/1999	Gillotti	108/36
D418,354	S	1/2000	O'Rourke	
6,321,401	B1	11/2001	Fleming et al.	
6,431,086	B1 *	8/2002	Lloyd	108/36
D463,563	S *	9/2002	Schoenig et al.	D24/183
6,615,431	B2 *	9/2003	Lin	5/620
6,684,426	B1	2/2004	Lin et al.	
D487,551	S	3/2004	Lee	
6,705,234	B1	3/2004	Miller et al.	
D533,667	S *	12/2006	Roleder	D24/183
2002/0043182	A1	4/2002	Simonin	

* cited by examiner

Primary Examiner—T. Chase Nelson

Assistant Examiner—Mark Cavanna

(74) *Attorney, Agent, or Firm*—Joseph T. Yaksich

(57) **CLAIM**

The ornamental design for a portable physical therapy and exercise table, as shown and described.

DESCRIPTION

FIG. 1 is a rear perspective view of a portable physical therapy and exercise table showing our new design;

FIG. 2 is a front view thereof;

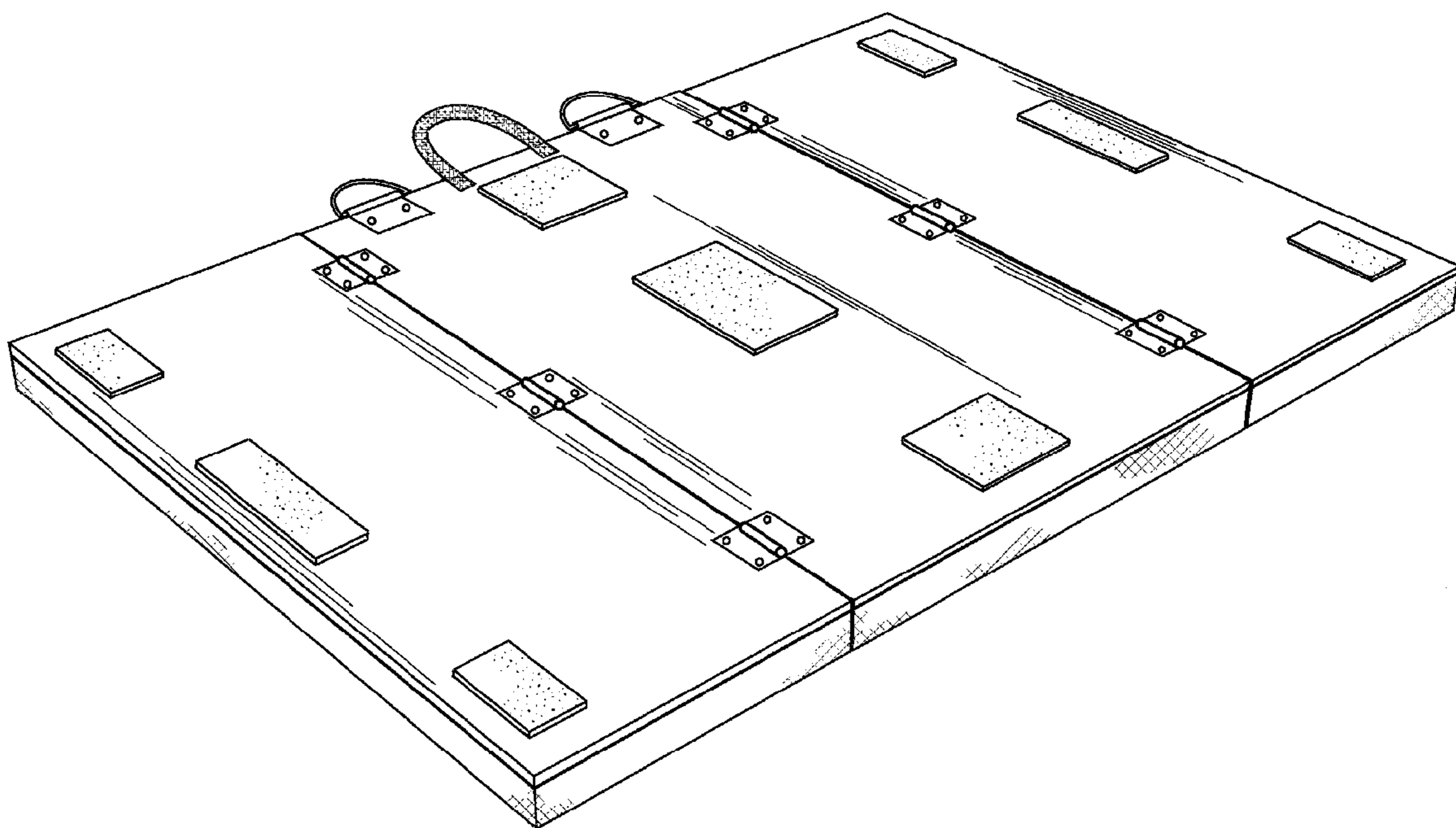
FIG. 3 is a rear view thereof;

FIG. 4 is a right side view with a left side view being the mirror image thereof;

FIG. 5 is a top view thereof; and,

FIG. 6 is a bottom view thereof.

1 Claim, 6 Drawing Sheets



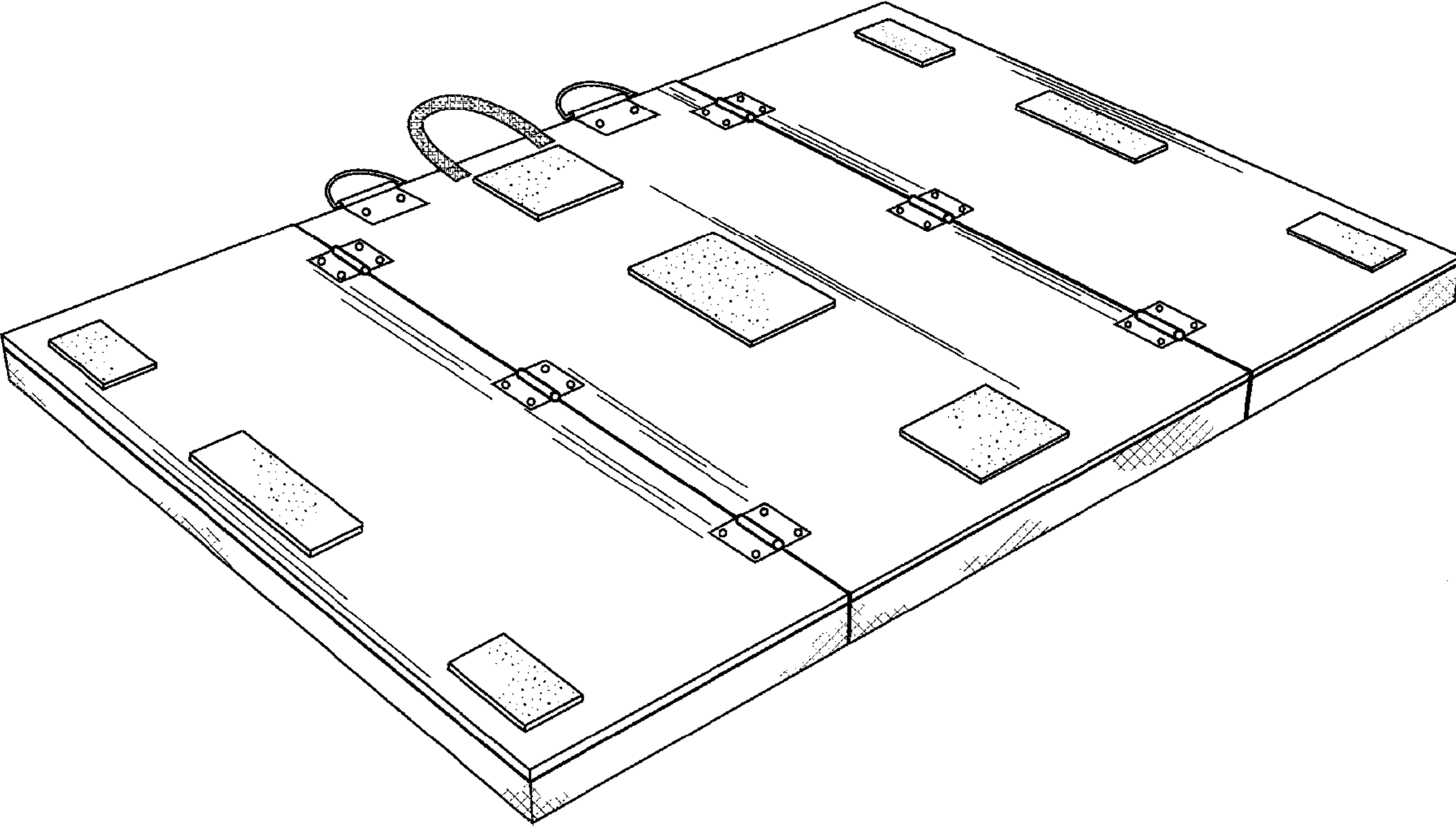


Fig.1

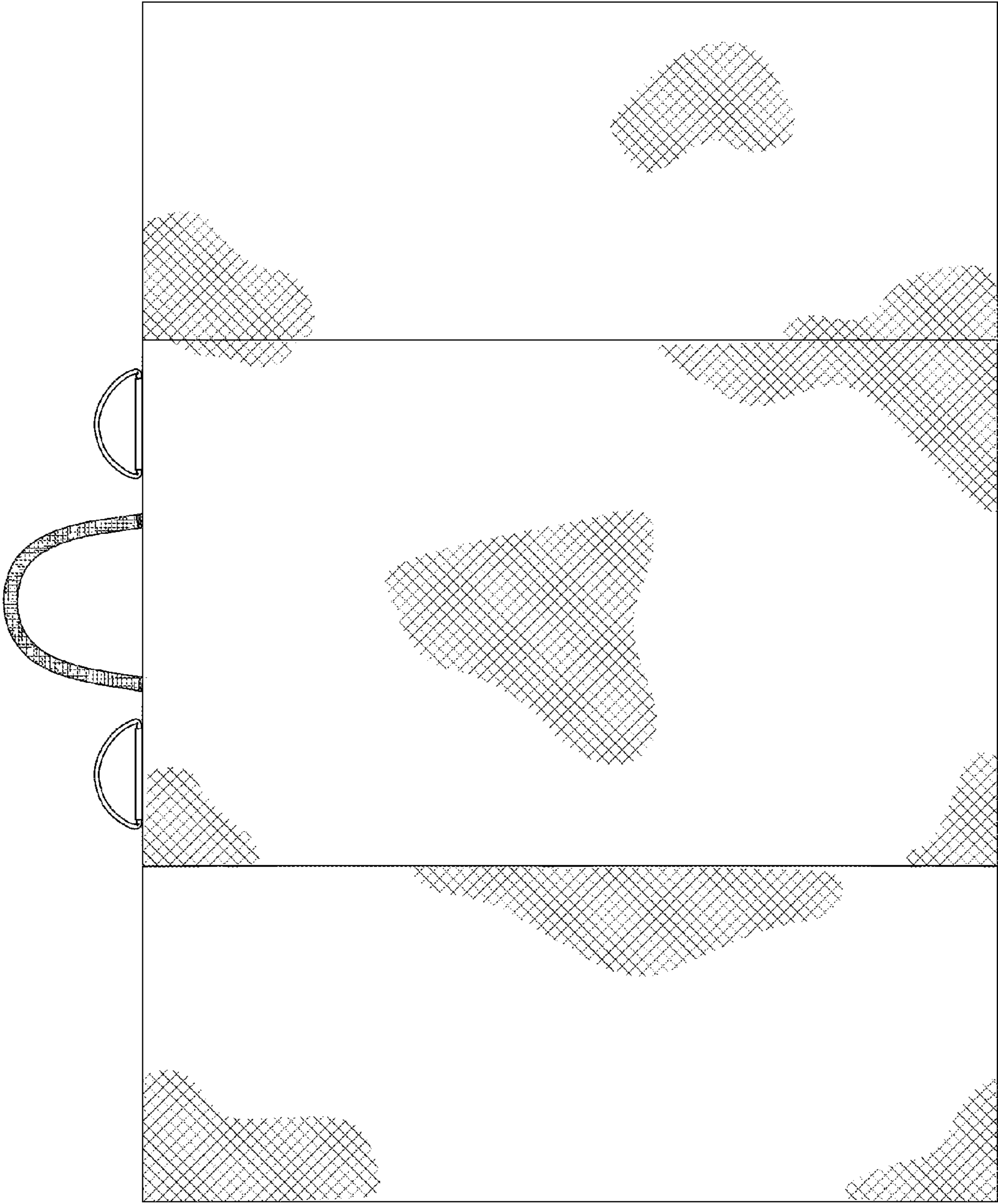


Fig. 2

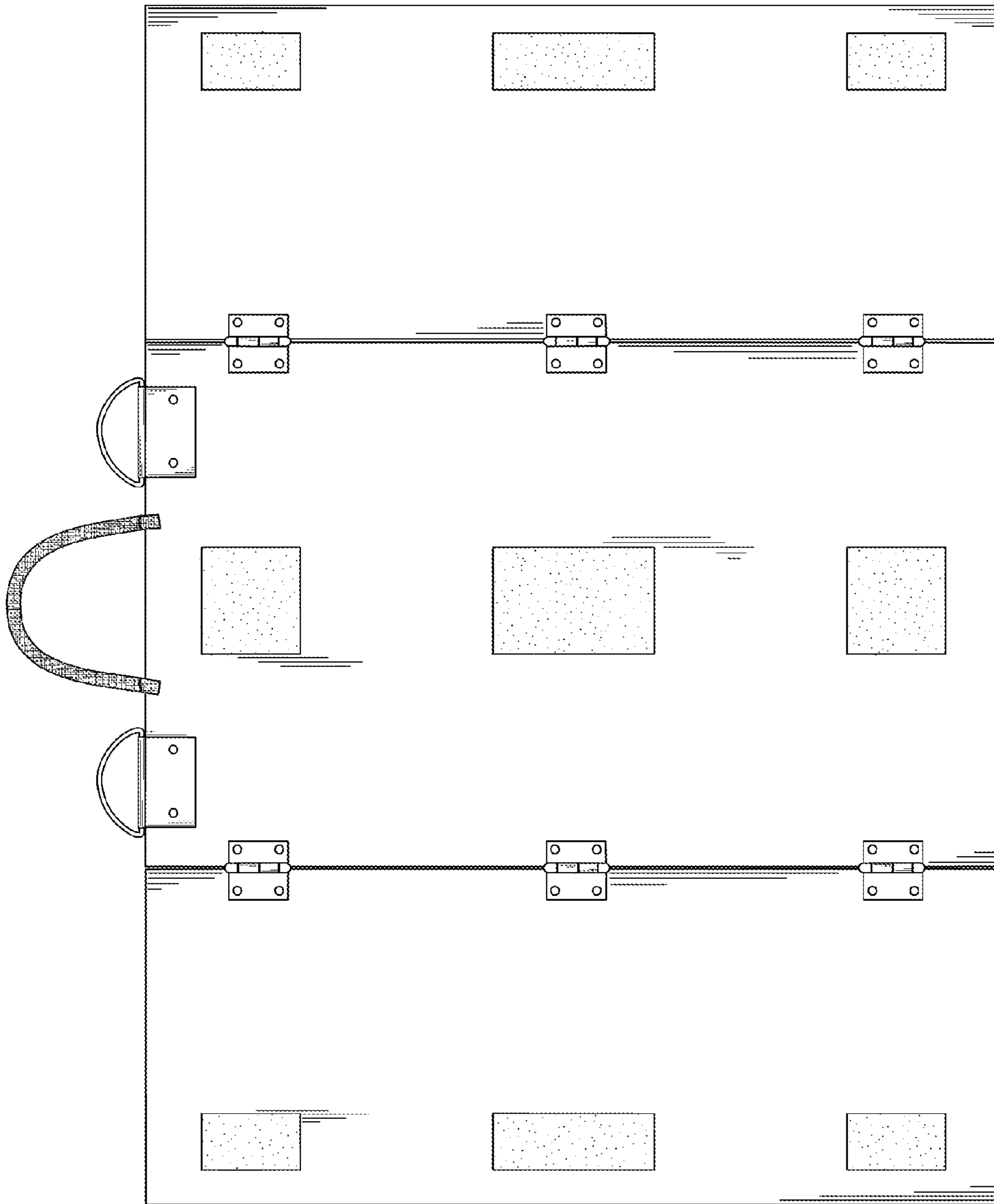


Fig. 3

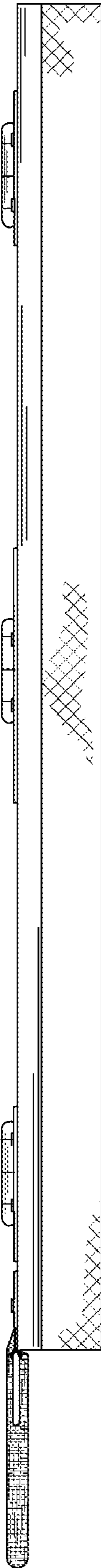


Fig. 4

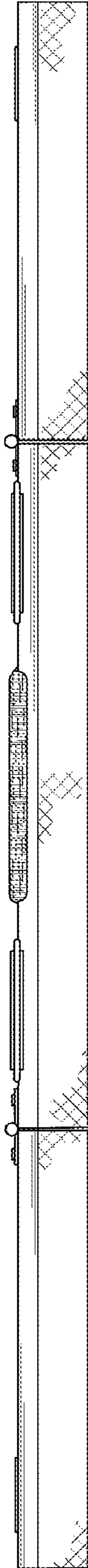


Fig. 5

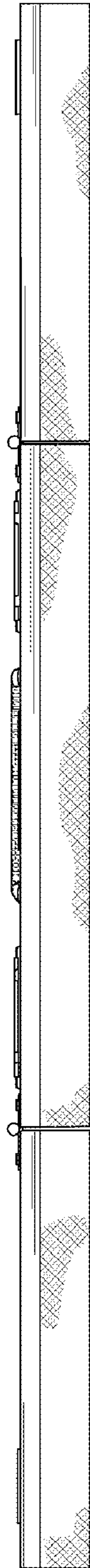


Fig. 6