



US00D619720S

(12) **United States Design Patent**
Cheetham

(10) **Patent No.:** **US D619,720 S**

(45) **Date of Patent:** **** Jul. 13, 2010**

(54) **DENTAL ADHESIVE CAPSULE**

D452,311 S * 12/2001 Guala D24/112
6,375,460 B1 * 4/2002 Plaumann 433/80
D602,593 S * 10/2009 Cheetham D24/176

(75) Inventor: **Joshua James Cheetham**, Windsor
(AU)

* cited by examiner

(73) Assignee: **SDI North America, Inc.**, Bensenville,
IL (US)

Primary Examiner—Charles A Rademaker

(74) *Attorney, Agent, or Firm*—William H. Holt

(**) Term: **14 Years**

(21) Appl. No.: **29/341,457**

(57) **CLAIM**

(22) Filed: **Aug. 5, 2009**

The ornamental design for a dental adhesive capsule, as shown and described.

(51) **LOC (9) Cl.** **24-02**

DESCRIPTION

(52) **U.S. Cl.** **D24/176; D9/696**

(58) **Field of Classification Search** D24/155,
D24/156, 180, 176, 220, 221, 112, 113; 433/173,
433/176, 90, 125, 126; 206/219; D9/696
See application file for complete search history.

FIG. 1 is a perspective view of a dental adhesive capsule, showing the new design;

FIG. 2 is a side view thereof;

FIG. 3 is a bottom view thereof;

FIG. 4 is a top view thereof;

FIG. 5 is a back view thereof; and,

FIG. 6 is a front view thereof.

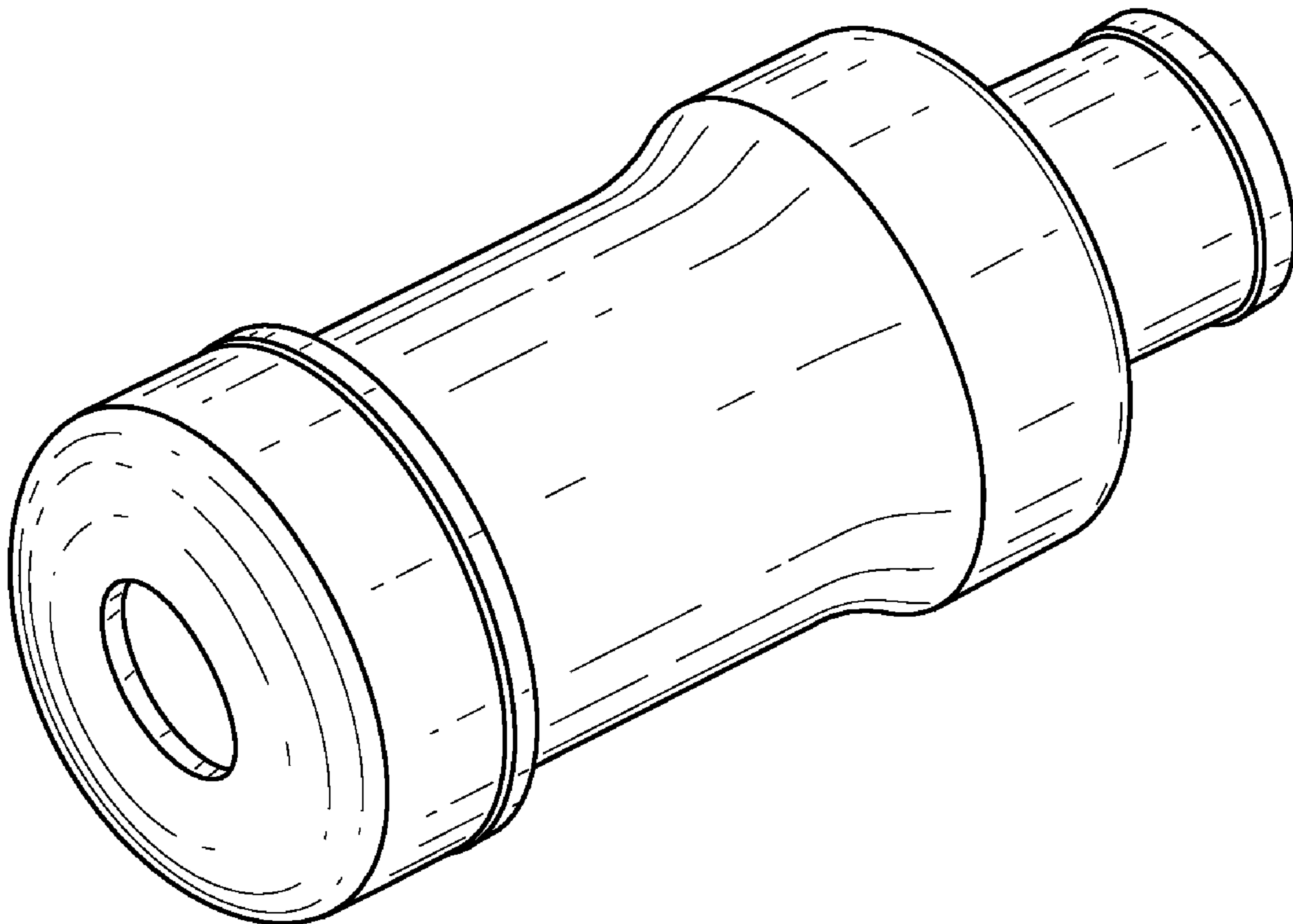
The broken lines in FIG. 5 represent structure and form no part of the claim.

(56) **References Cited**

U.S. PATENT DOCUMENTS

D259,213 S * 5/1981 Pagels D9/696
D334,803 S * 4/1993 Disco, Jr. D24/112
5,871,355 A * 2/1999 Dragan et al. 433/90
D428,633 S * 7/2000 Hasebe' D21/748
6,135,771 A * 10/2000 Dragan et al. 433/90

1 Claim, 3 Drawing Sheets



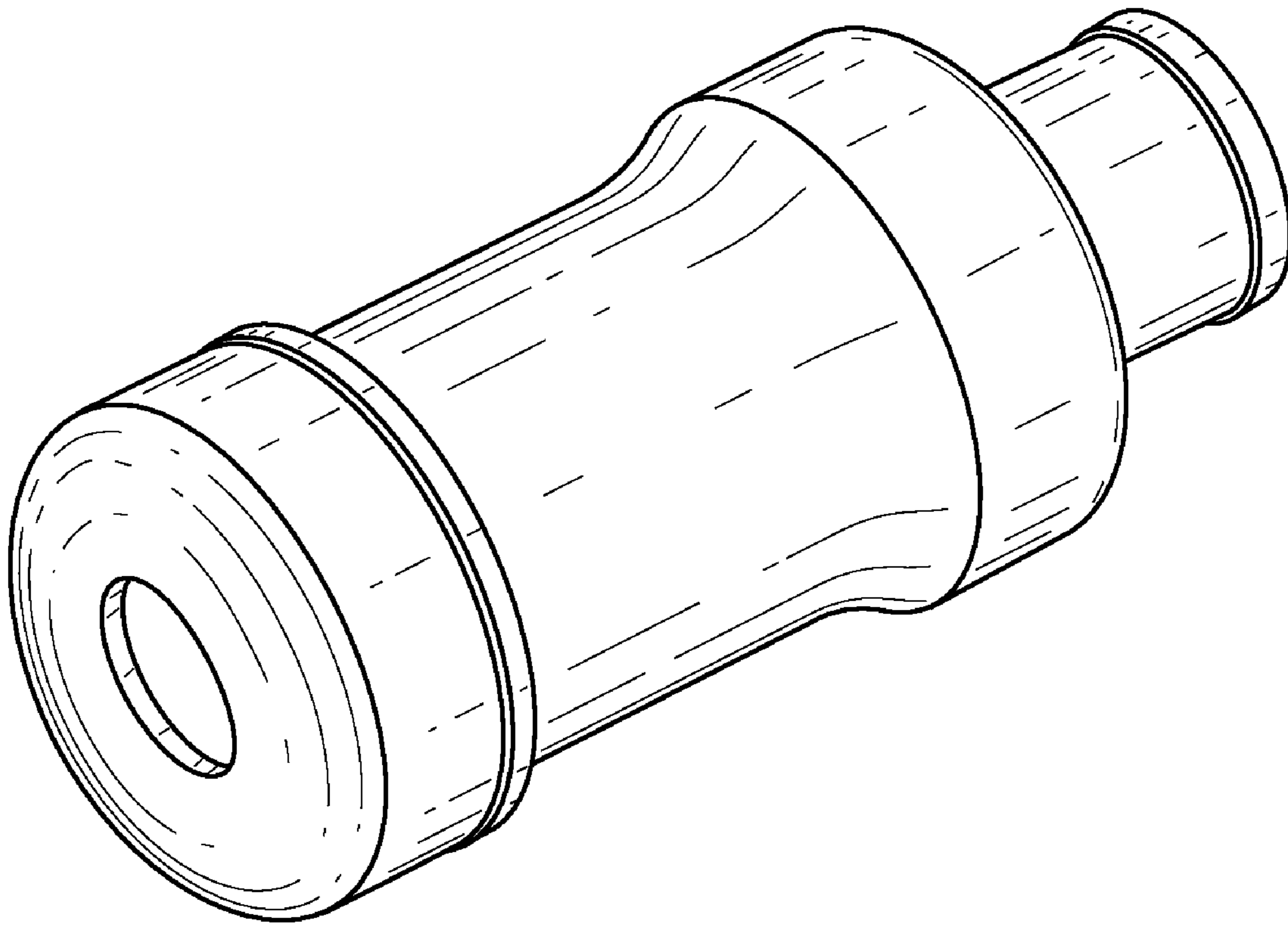


FIG. 1

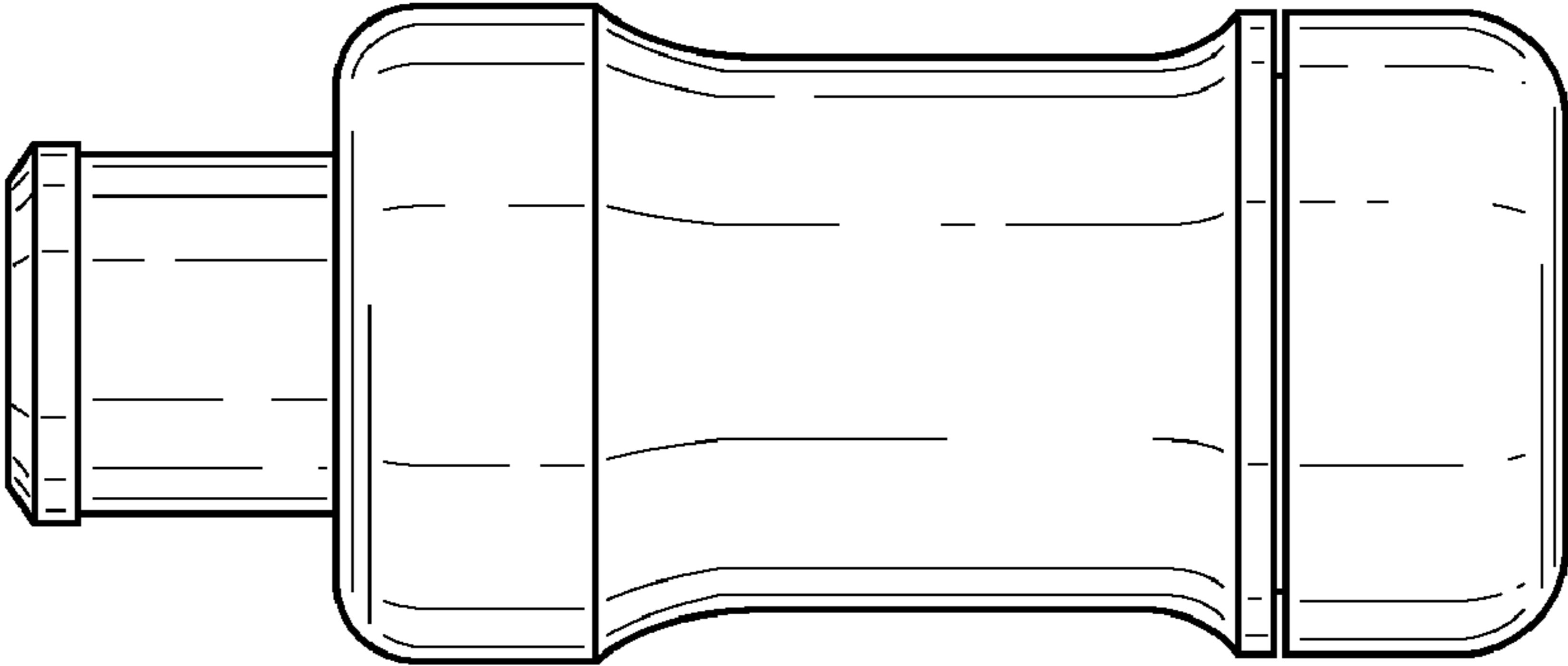


FIG. 2

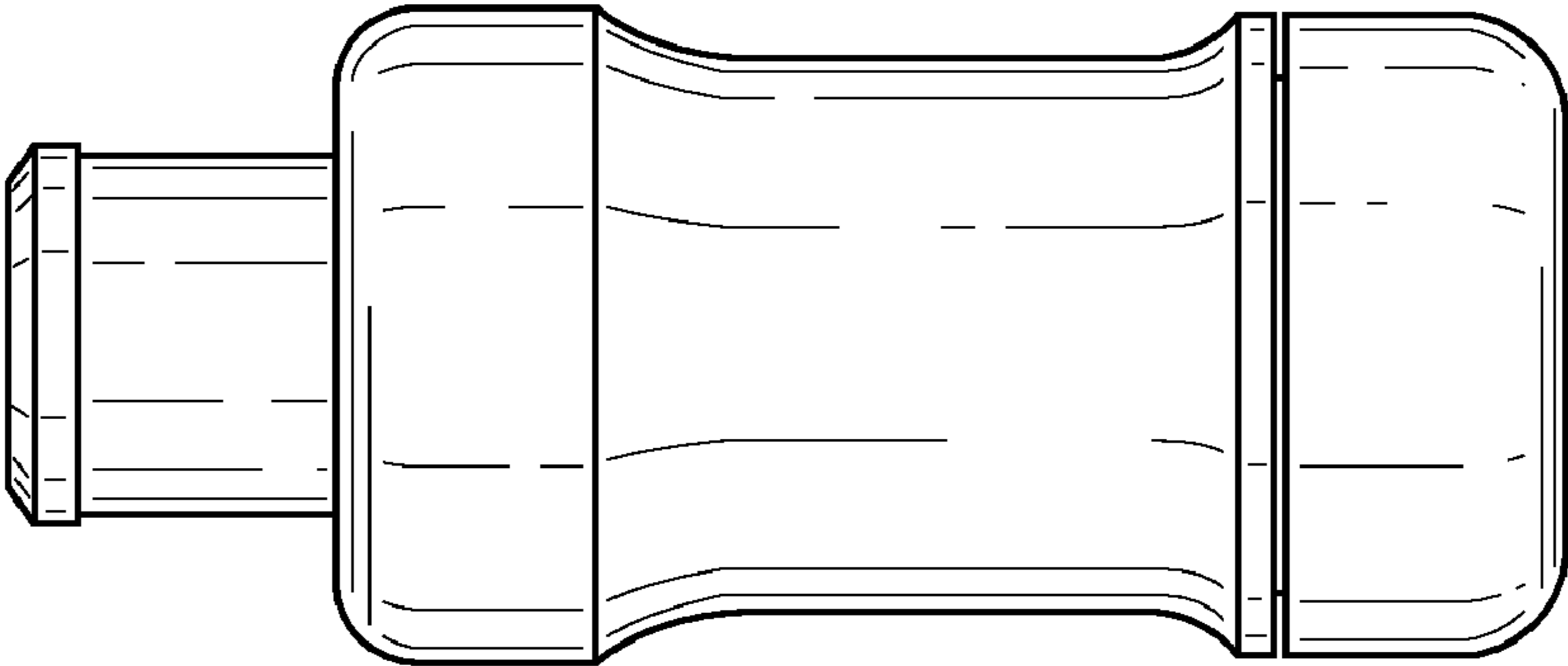


FIG. 3

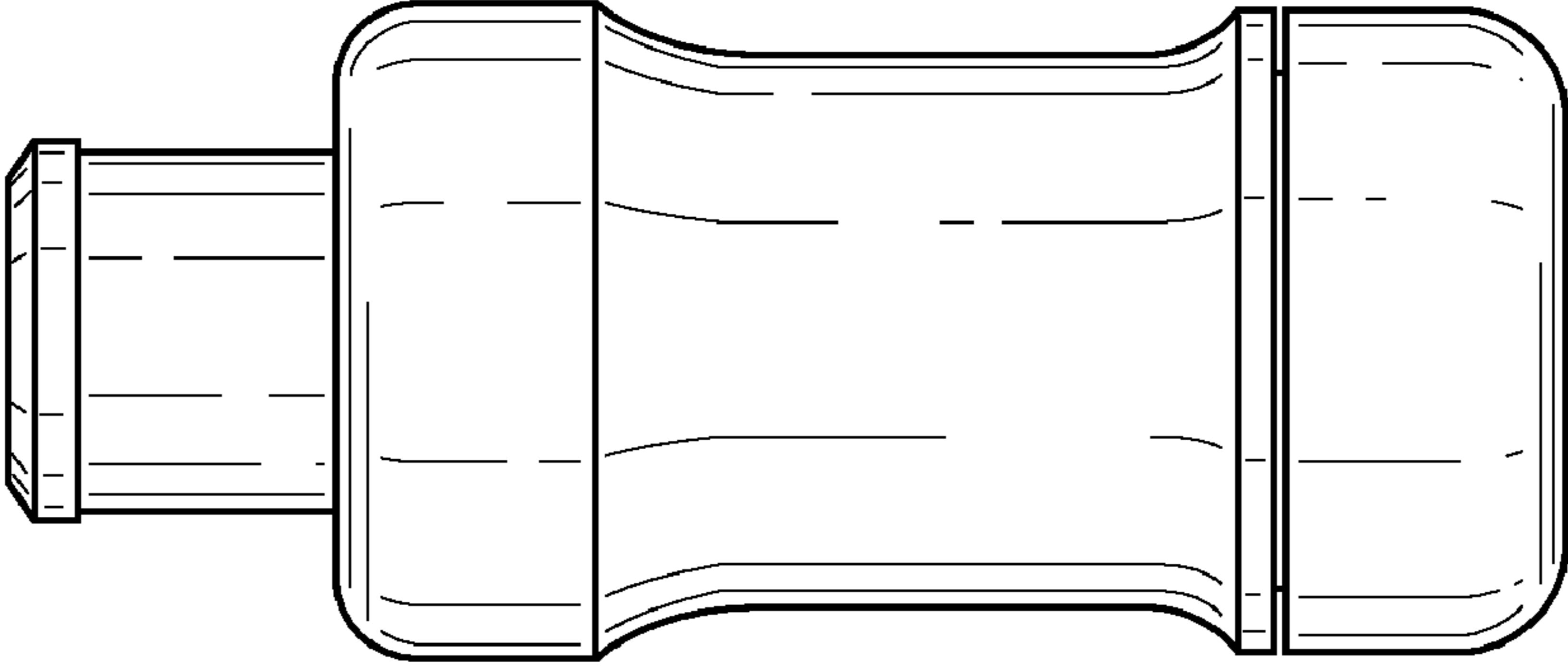


FIG. 4

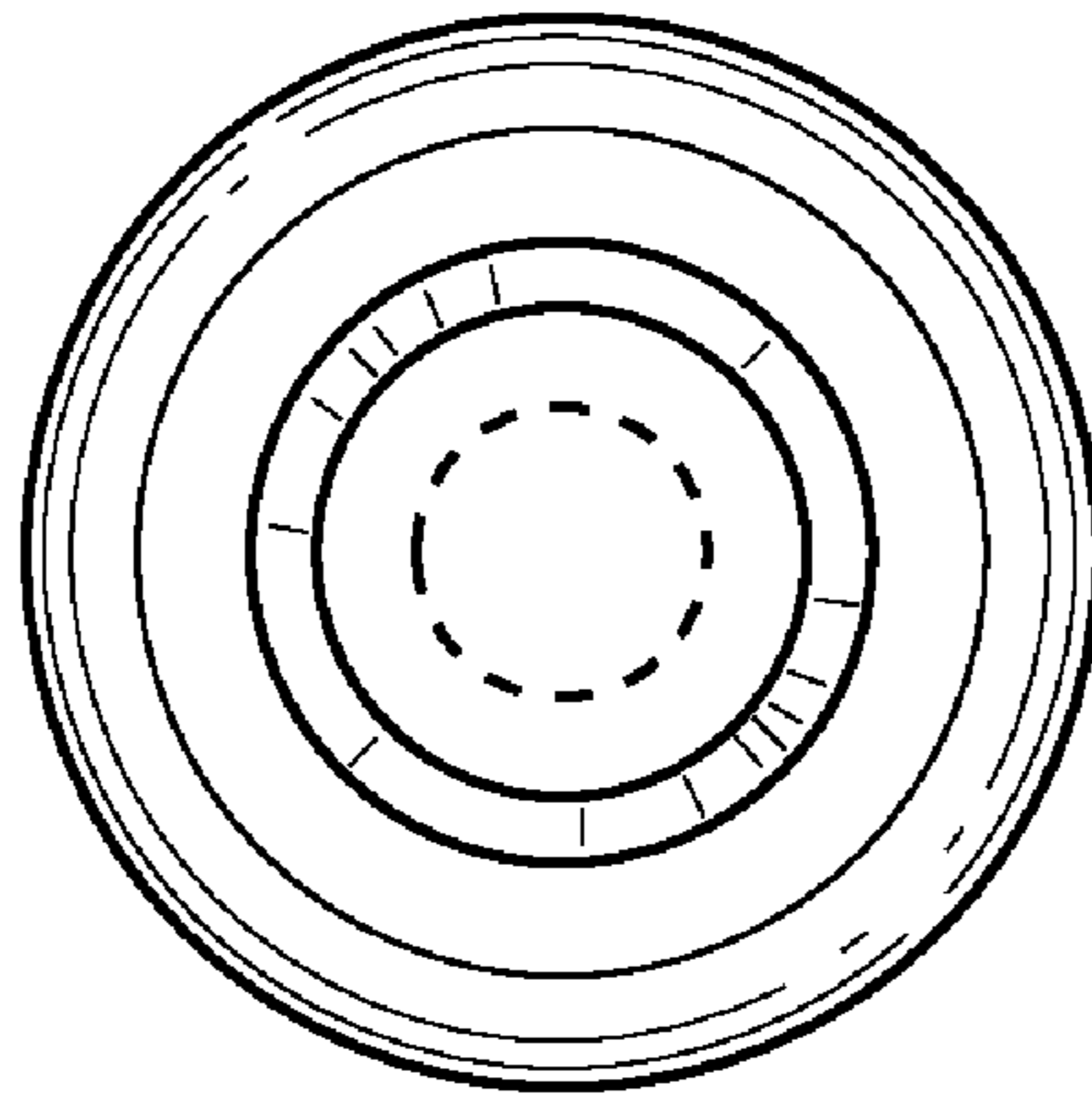


FIG. 5

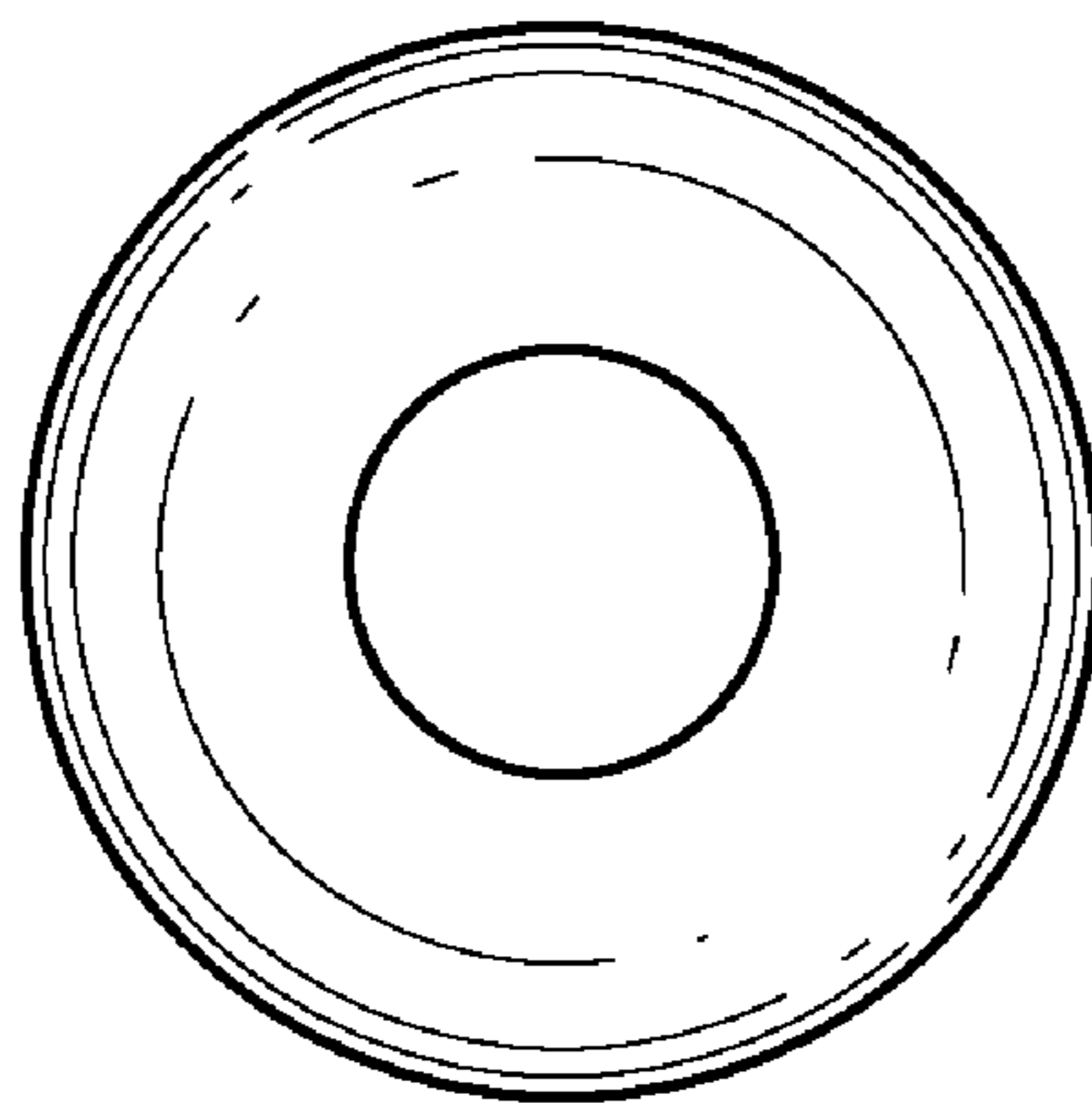


FIG. 6