



US00D619719S

(12) **United States Design Patent**
Pannu

(10) **Patent No.:** **US D619,719 S**
(45) **Date of Patent:** **** Jul. 13, 2010**

(54) **SPINAL INSERT**

(76) Inventor: **Yashdip S. Pannu**, 10518 N. Burning
Bush La., Mequon, WI (US) 53092

(**) Term: **14 Years**

(21) Appl. No.: **29/339,208**

(22) Filed: **Jun. 26, 2009**

(51) **LOC (9) Cl.** **24-03**

(52) **U.S. Cl.** **D24/155**

(58) **Field of Classification Search** D24/155-157;
606/60, 61, 73, 95, 213, 246, 248, 249; 623/17.11,
623/17.12, 17.13, 17.14, 17.15, 17.16, 23.61,
623/23.56, 247, 213, 11.11, 16.14, 20.23,
623/20.33, 33, 41

See application file for complete search history.

(56) **References Cited**

U.S. PATENT DOCUMENTS

6,245,108	B1 *	6/2001	Biscup	623/17.11
6,432,140	B1 *	8/2002	Lin	623/17.16
6,491,724	B1 *	12/2002	Ferree	623/17.11
D472,632	S *	4/2003	Anderson	D24/155
6,610,093	B1 *	8/2003	Pisharodi	623/17.15
6,676,703	B2 *	1/2004	Biscup	623/17.16
6,743,255	B2 *	6/2004	Ferree	623/17.11
6,773,460	B2 *	8/2004	Jackson	623/17.15
6,979,353	B2 *	12/2005	Bresina	623/17.16
D533,277	S *	12/2006	Blain	D24/155

7,169,183	B2 *	1/2007	Liu et al.	623/17.16
D541,940	S *	5/2007	Blain	D24/155
7,309,358	B2 *	12/2007	Berry et al.	623/17.16
7,326,251	B2 *	2/2008	McCombe et al.	623/17.16
7,331,996	B2 *	2/2008	Sato et al.	623/17.16
D566,276	S *	4/2008	Blain	D24/155
7,569,074	B2 *	8/2009	Eisermann et al.	623/17.11
7,641,690	B2 *	1/2010	Abdou	623/17.11

* cited by examiner

Primary Examiner—Charles A Rademaker

(74) *Attorney, Agent, or Firm*—Maier & Maier, PLLC

(57) **CLAIM**

The ornamental design for a spinal insert, as shown and described.

DESCRIPTION

FIG. 1 is a top perspective view of a spinal insert, showing my design;

FIG. 2 is a bottom perspective view thereof;

FIG. 3 is a front view thereof;

FIG. 4 is a rear view thereof;

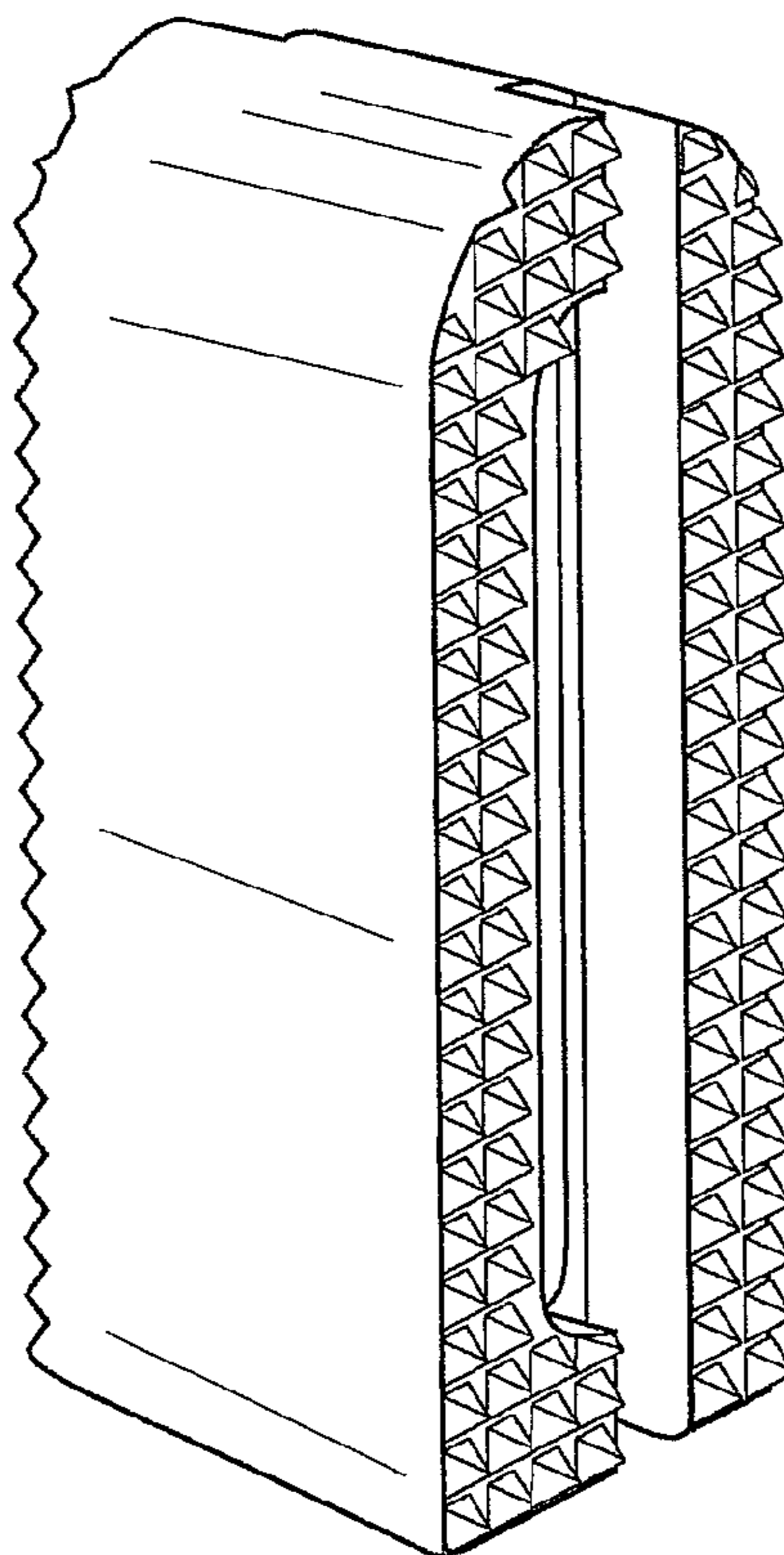
FIG. 5 is a left side view thereof;

FIG. 6 is a right side view thereof;

FIG. 7 is a bottom view thereof; and,

FIG. 8 is a top view thereof.

1 Claim, 3 Drawing Sheets



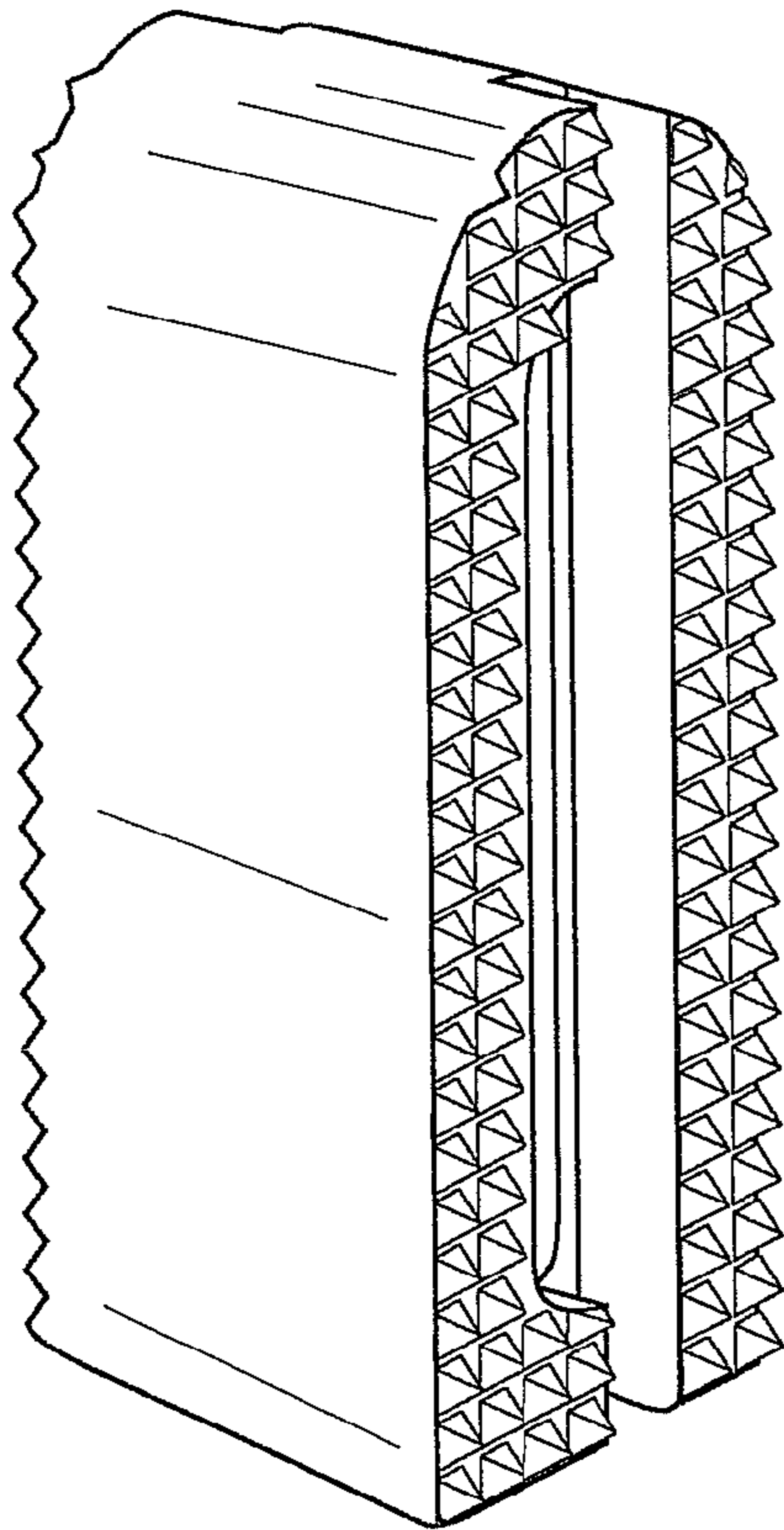


Fig. 1

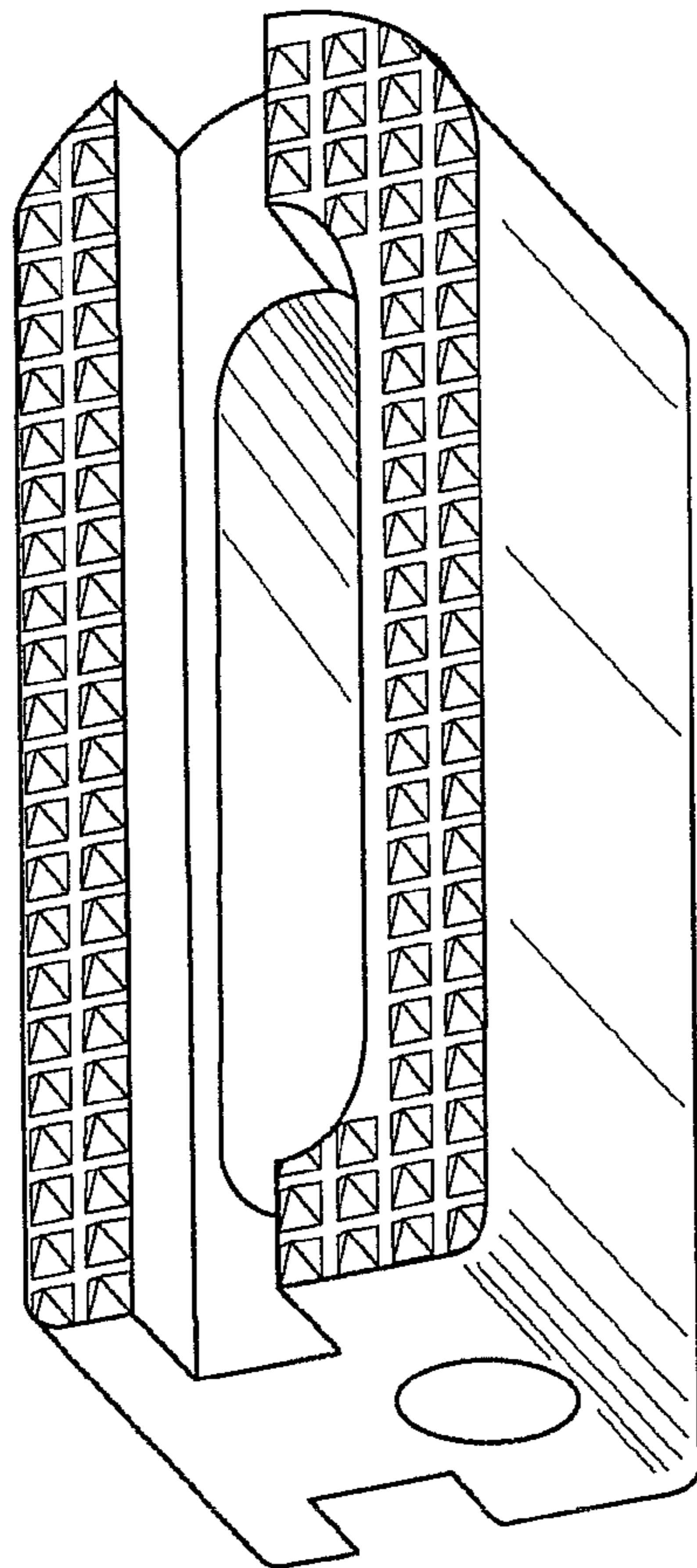


Fig. 2

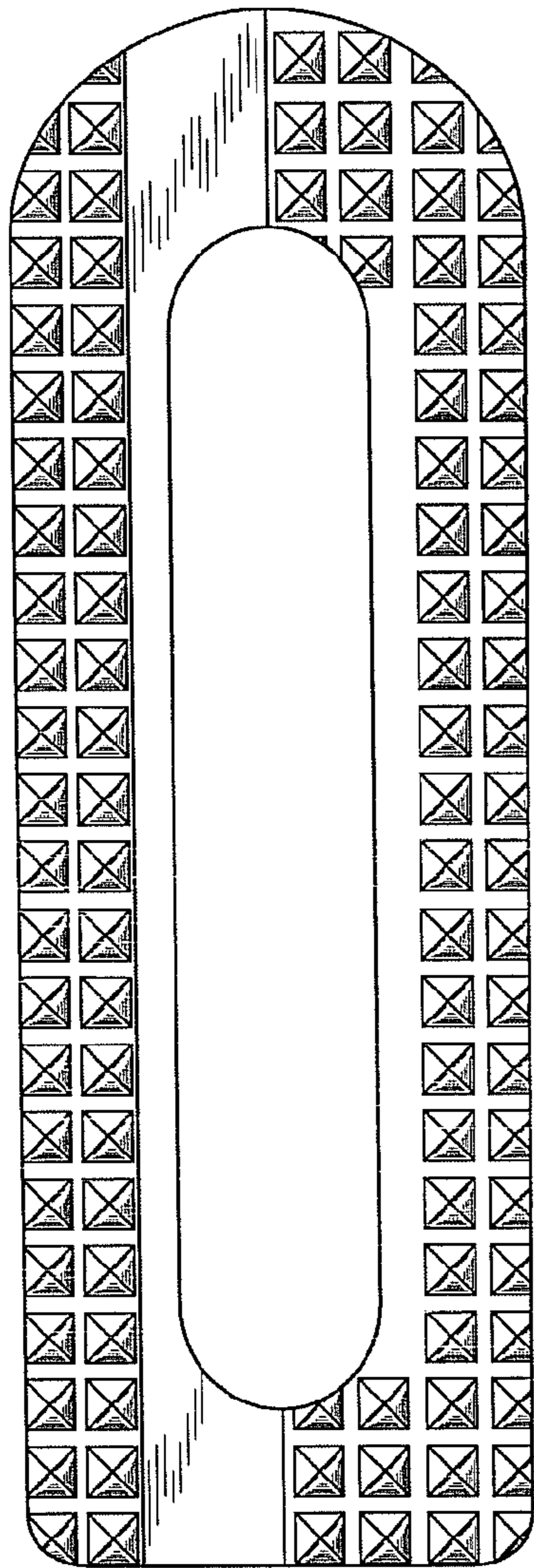


Fig. 3

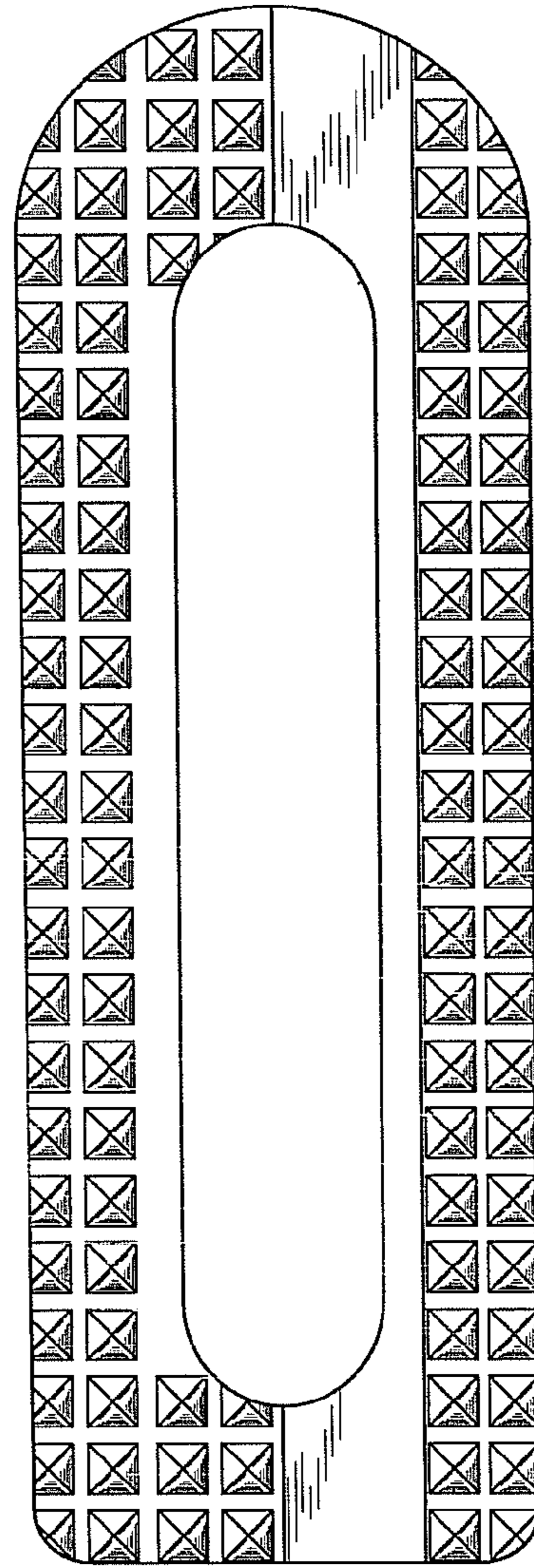


Fig. 4

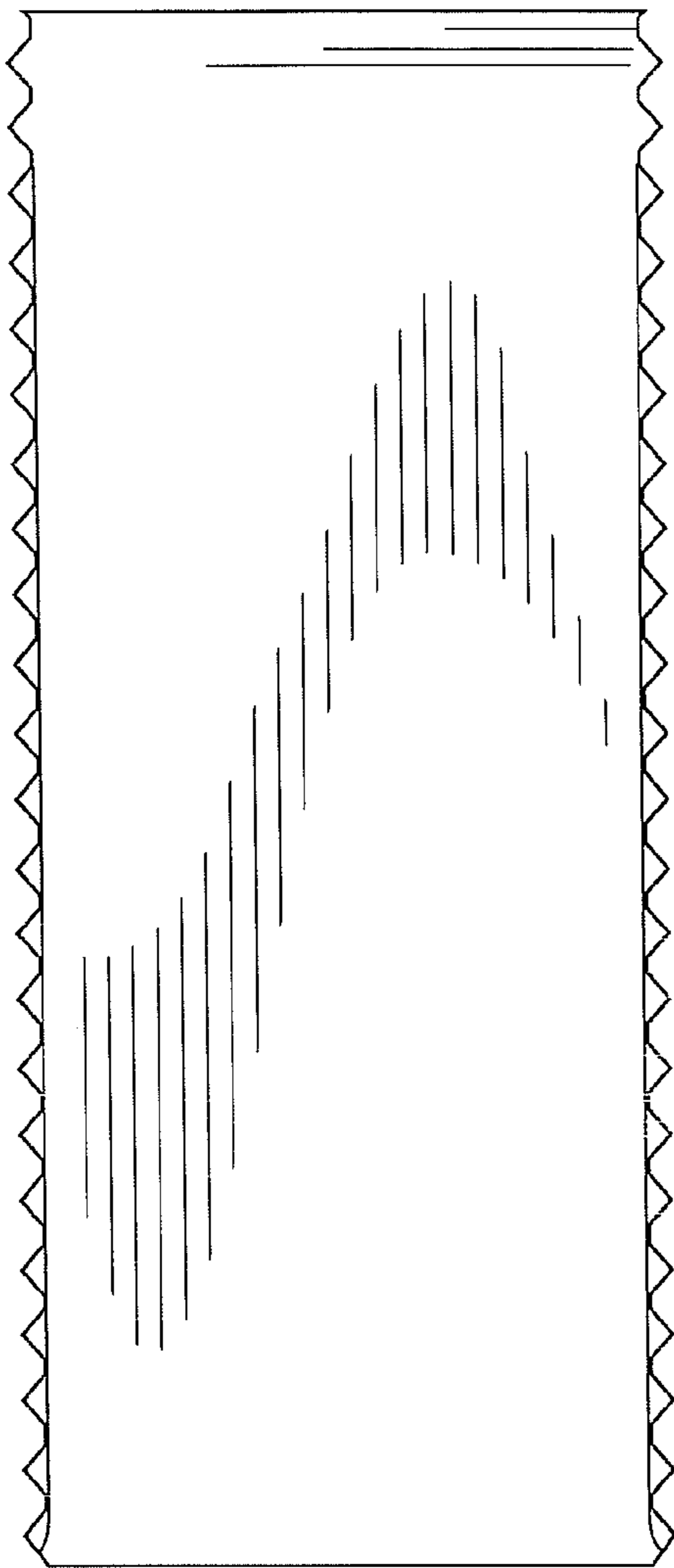


Fig. 5

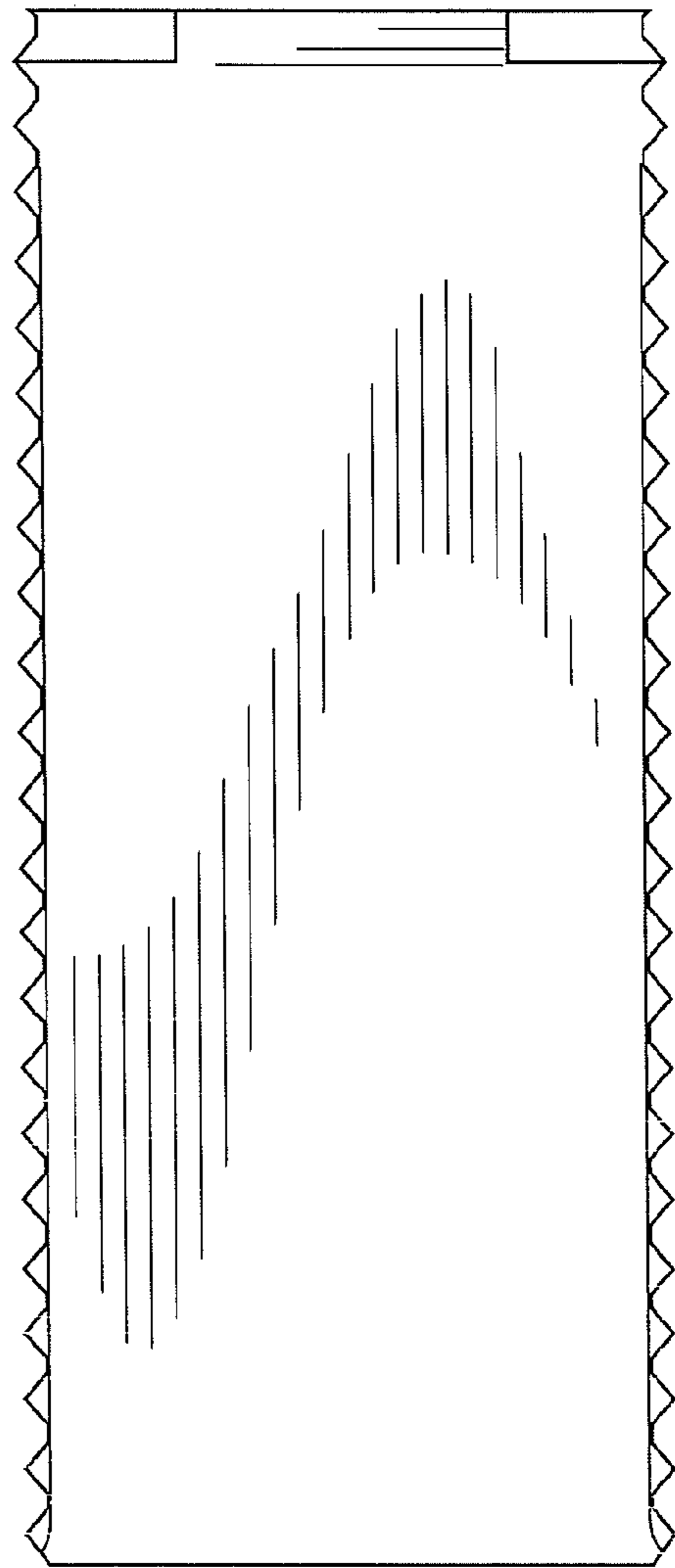


Fig. 6

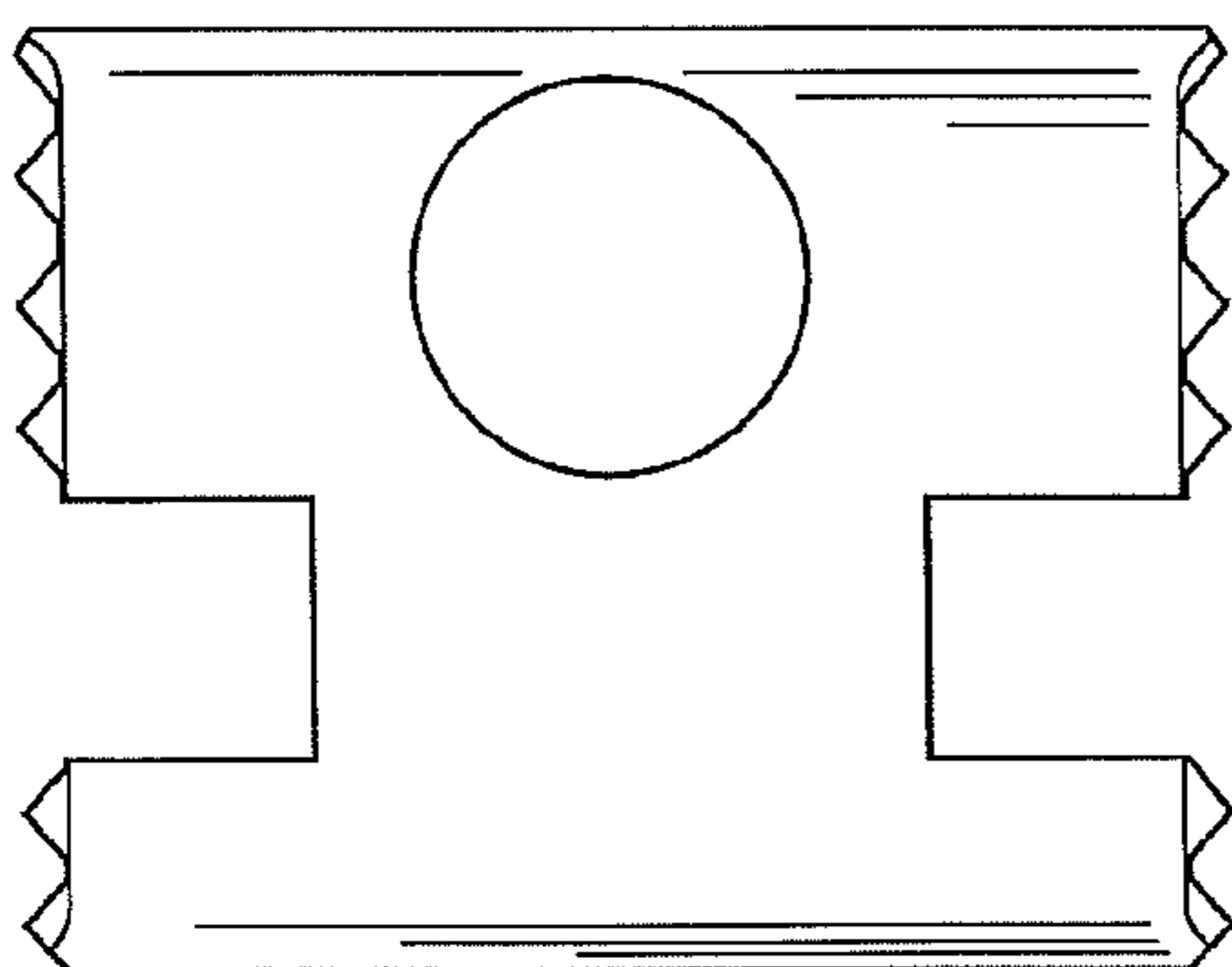


Fig. 7

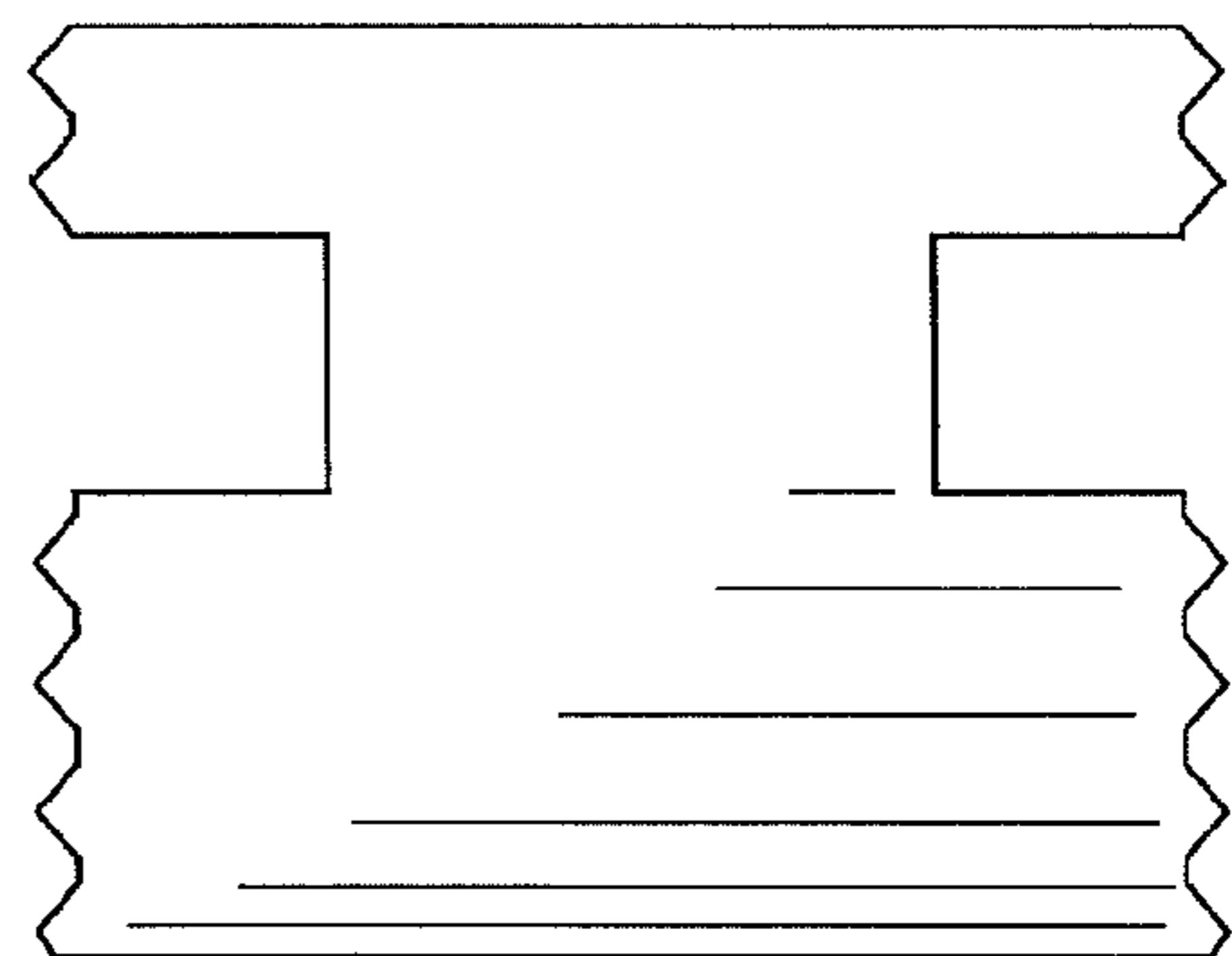


Fig. 8