



US00D619716S

(12) **United States Design Patent**
Wagner

(10) **Patent No.:** **US D619,716 S**
(45) **Date of Patent:** **** Jul. 13, 2010**

(54) **TROCAR**
(75) Inventor: **Sebastian Wagner**, Bretten (DE)
(73) Assignee: **Karl Storz GmbH & Co. KG**,
Tuttlingen (DE)
(**) Term: **14 Years**
(21) Appl. No.: **29/350,524**
(22) Filed: **Nov. 18, 2009**

(30) **Foreign Application Priority Data**
May 18, 2009 (EM) 001516550-0010

(51) **LOC (9) Cl.** **24-02**
(52) **U.S. Cl.** **D24/147**
(58) **Field of Classification Search** D24/147,
D24/140, 133, 146; 604/164, 167.07, 167.04,
604/158, 167, 169, 256, 264; 600/566, 567,
600/568; 606/167, 170
See application file for complete search history.

(56) **References Cited**
U.S. PATENT DOCUMENTS
D338,270 S * 8/1993 Stephens et al. D24/140
D362,066 S * 9/1995 Petruschke et al. D24/146
5,697,913 A * 12/1997 Sierocuk et al. 604/164.11
6,551,270 B1 * 4/2003 Bimbo et al. 604/93.01
6,656,198 B2 * 12/2003 Tsonton et al. 606/167
D495,053 S * 8/2004 Laun D24/146
D541,417 S * 4/2007 Albrecht et al. D24/146
D542,918 S * 5/2007 Albrecht et al. D24/146
7,347,853 B2 * 3/2008 DiFiore et al. 604/537

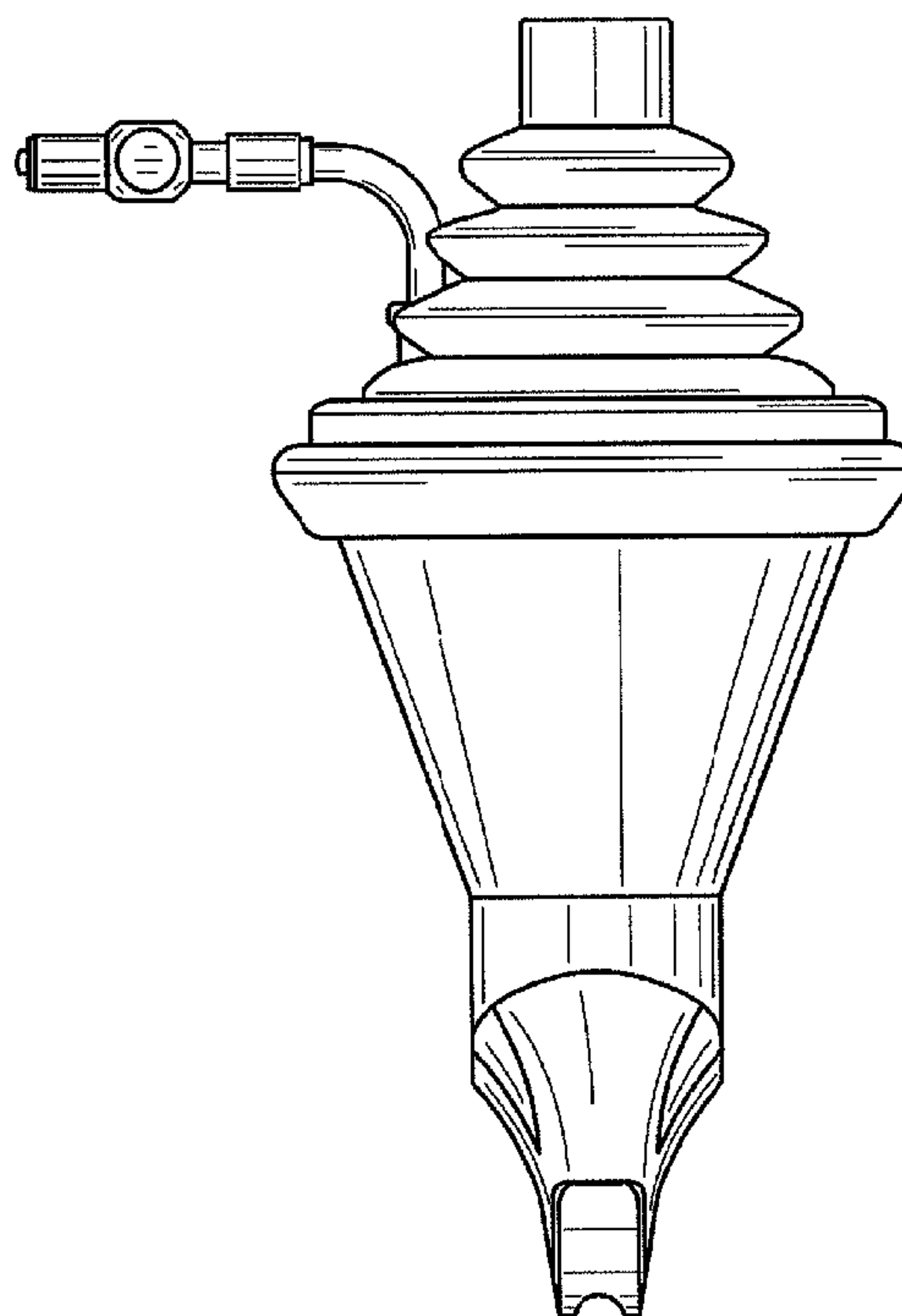
7,371,227 B2 * 5/2008 Zeiner 604/167.03
D606,193 S * 12/2009 Oberlaender et al. D24/146
7,637,896 B2 * 12/2009 Voegele et al. 604/264
2003/0109894 A1 * 6/2003 Blanco 606/167
2004/0111060 A1 * 6/2004 Racenet et al. 604/167.01
2005/0070943 A1 * 3/2005 Hueil et al. 606/167
2007/0073248 A1 * 3/2007 Moenning 604/264
2008/0161758 A1 * 7/2008 Insignares 604/167.04
2009/0275858 A1 * 11/2009 Hardin 600/567
2010/0063452 A1 * 3/2010 Edelman et al. 604/175

* cited by examiner
Primary Examiner—Charles A Rademaker
Assistant Examiner—Carissa C Fitts
(74) *Attorney, Agent, or Firm*—Muncy, Geissler, Olds & Lowe, PLLC

(57) **CLAIM**
The ornamental design of a trocar, as shown and described.

DESCRIPTION
FIG. 1 is a left side perspective view of a trocar according to an embodiment of the present invention.
FIG. 2 is a right side perspective view of the trocar of FIG. 1.
FIG. 3 is a front perspective view of the trocar of FIG. 1.
FIG. 4 is a rear perspective view of the trocar of FIG. 1.
FIG. 5 is a top perspective view of the trocar of FIG. 1.
FIG. 6 is a bottom perspective view of the trocar of FIG. 1; and,
FIG. 7 is a three-quarters perspective view of the trocar of FIG. 1.

1 Claim, 7 Drawing Sheets



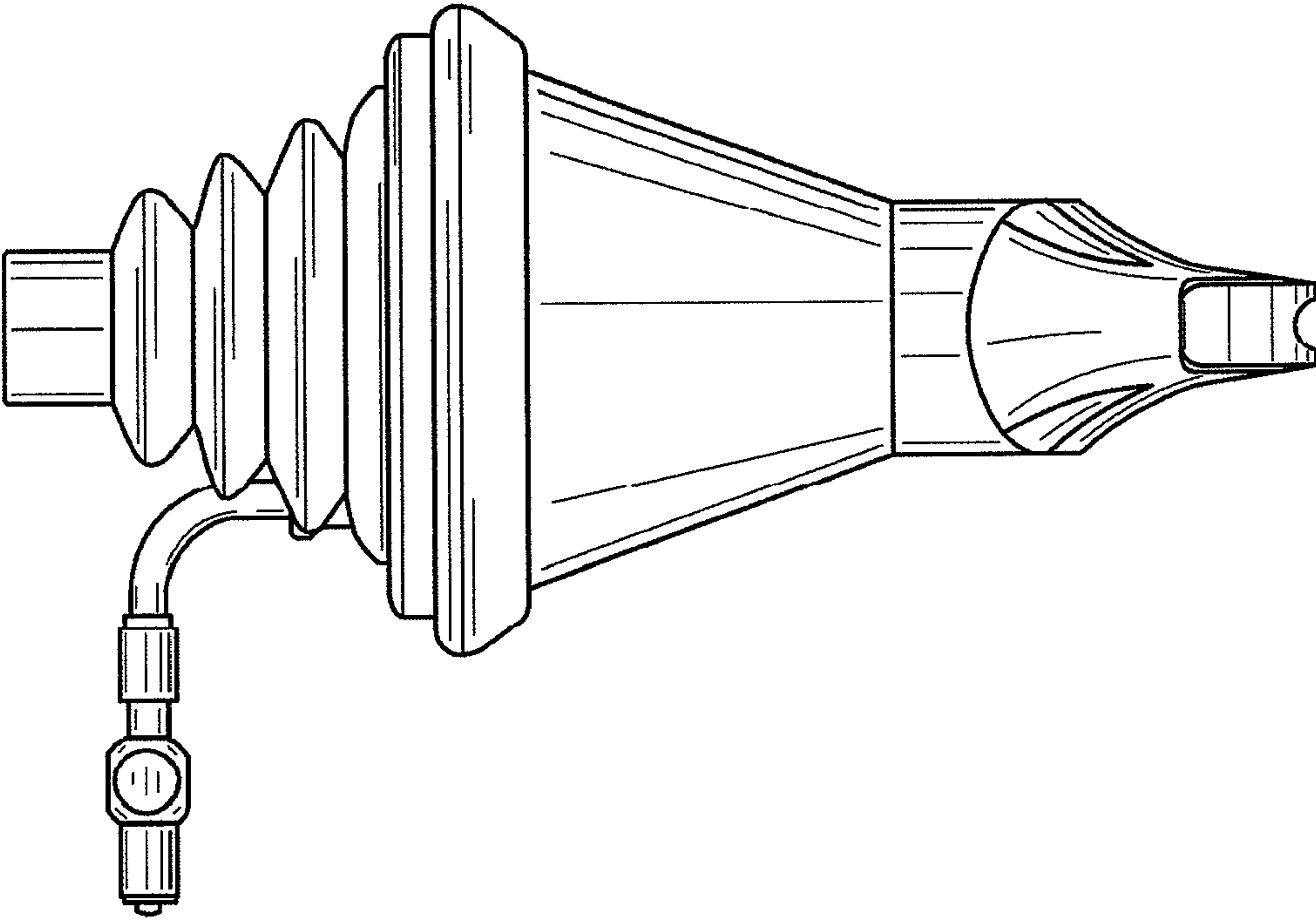


FIG. 1

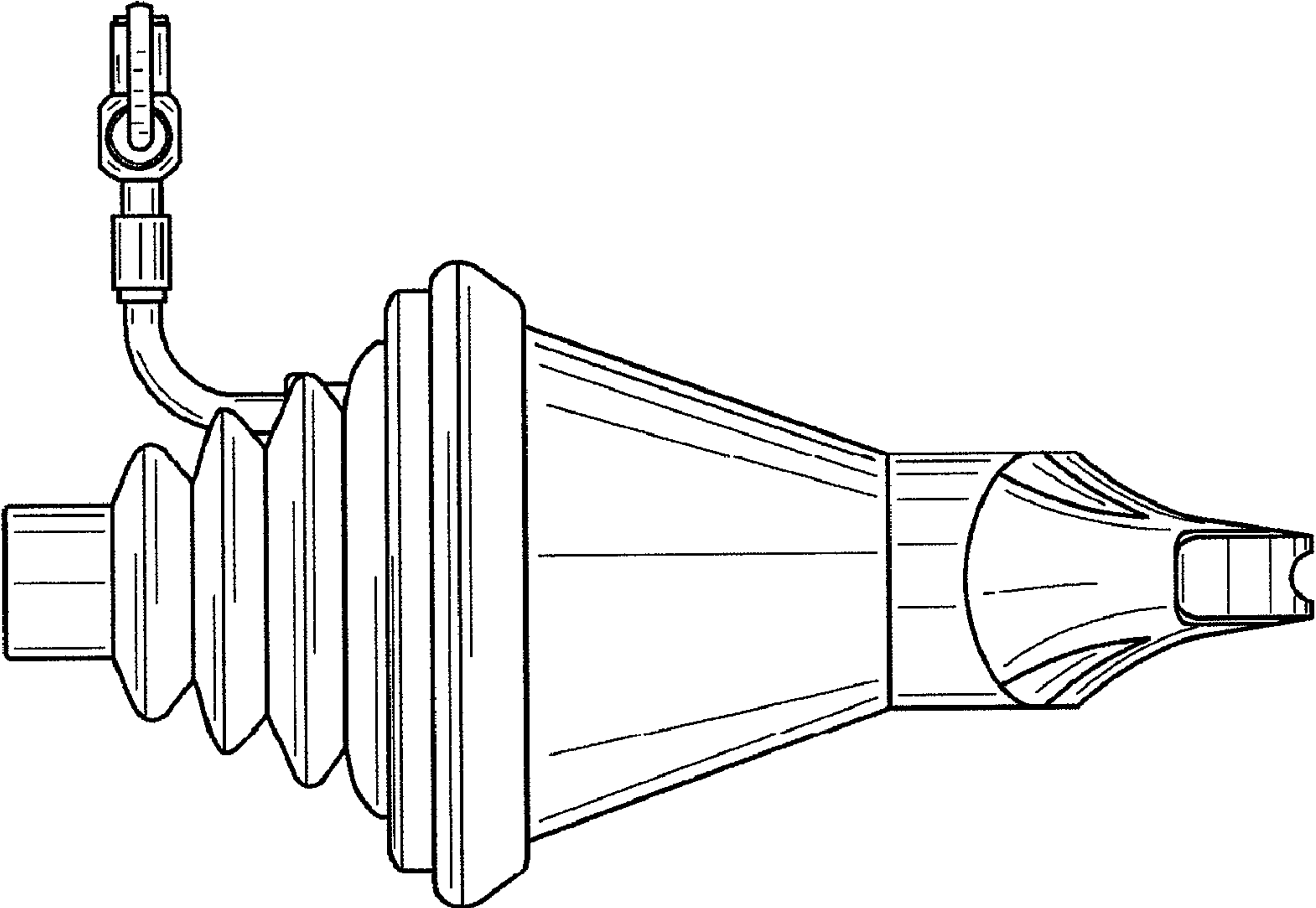


FIG. 2

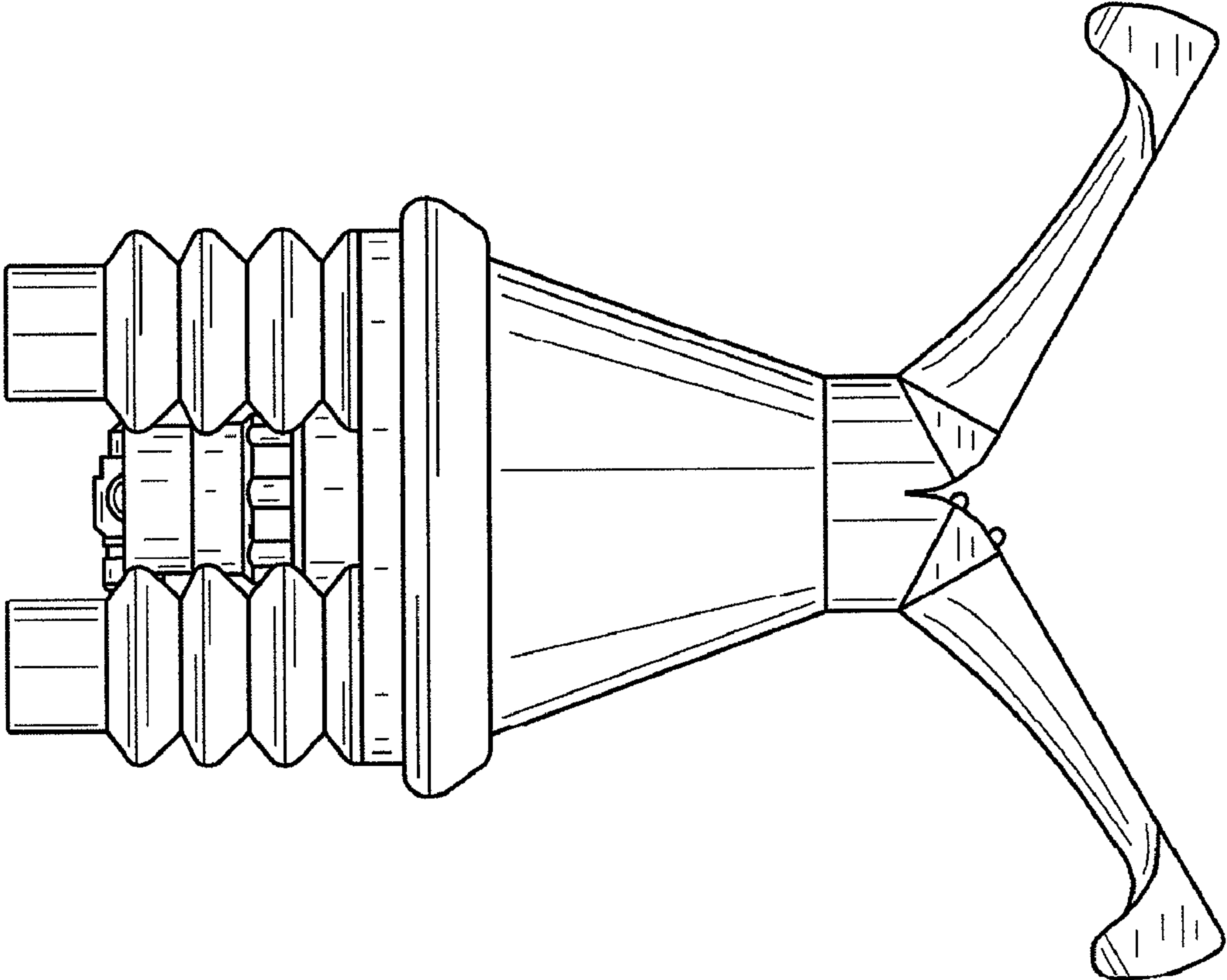


FIG. 3

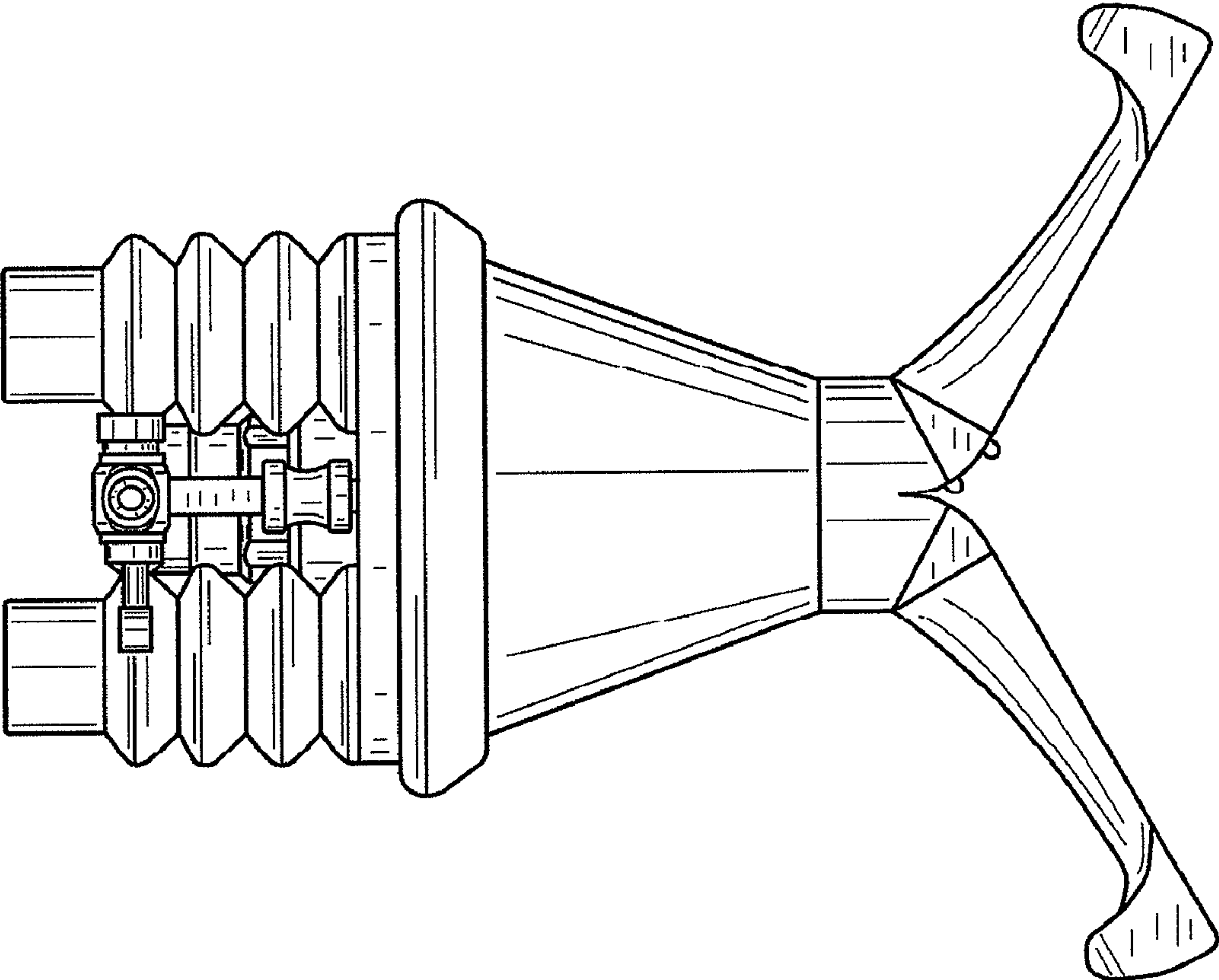


FIG. 4

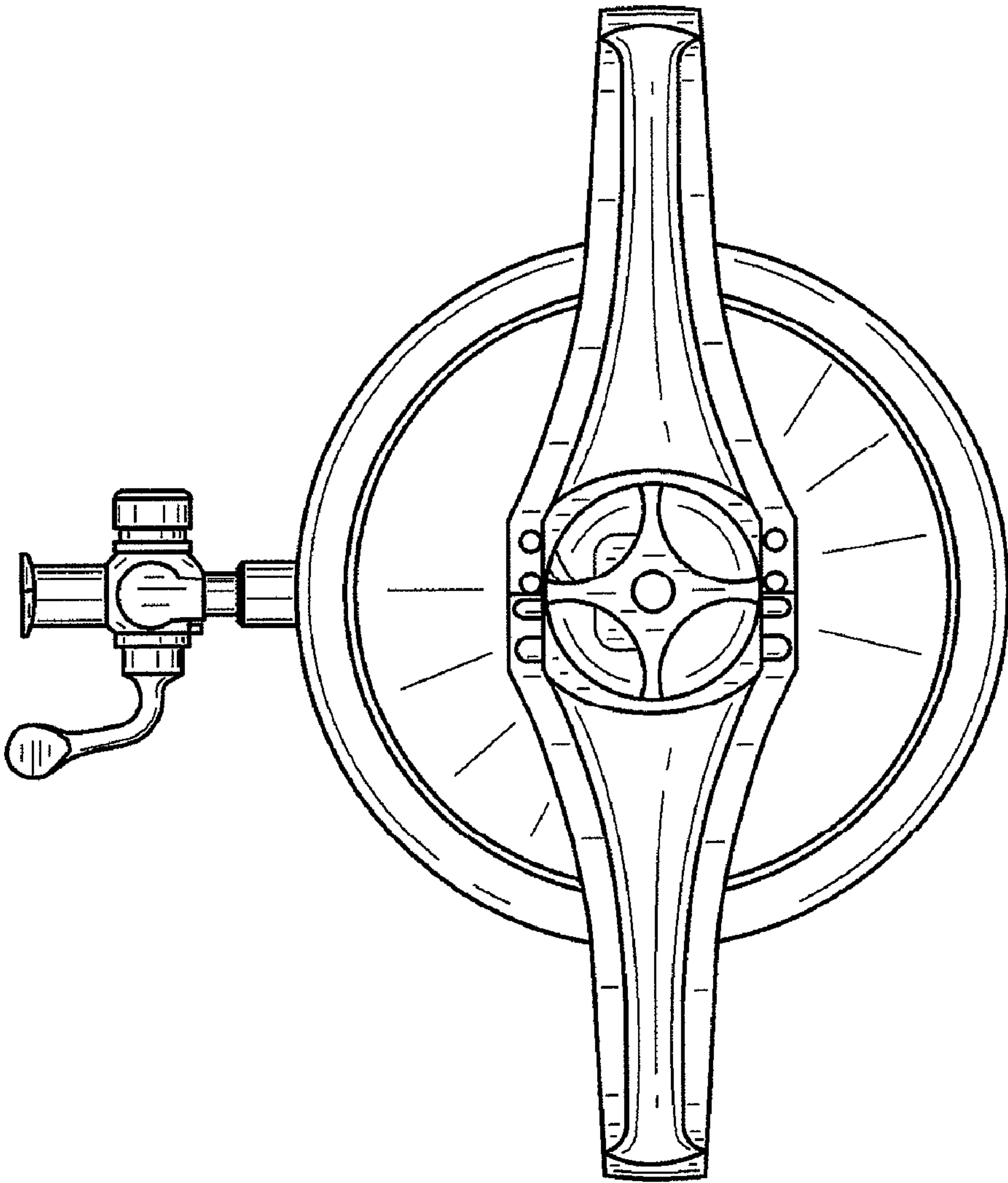


FIG. 5

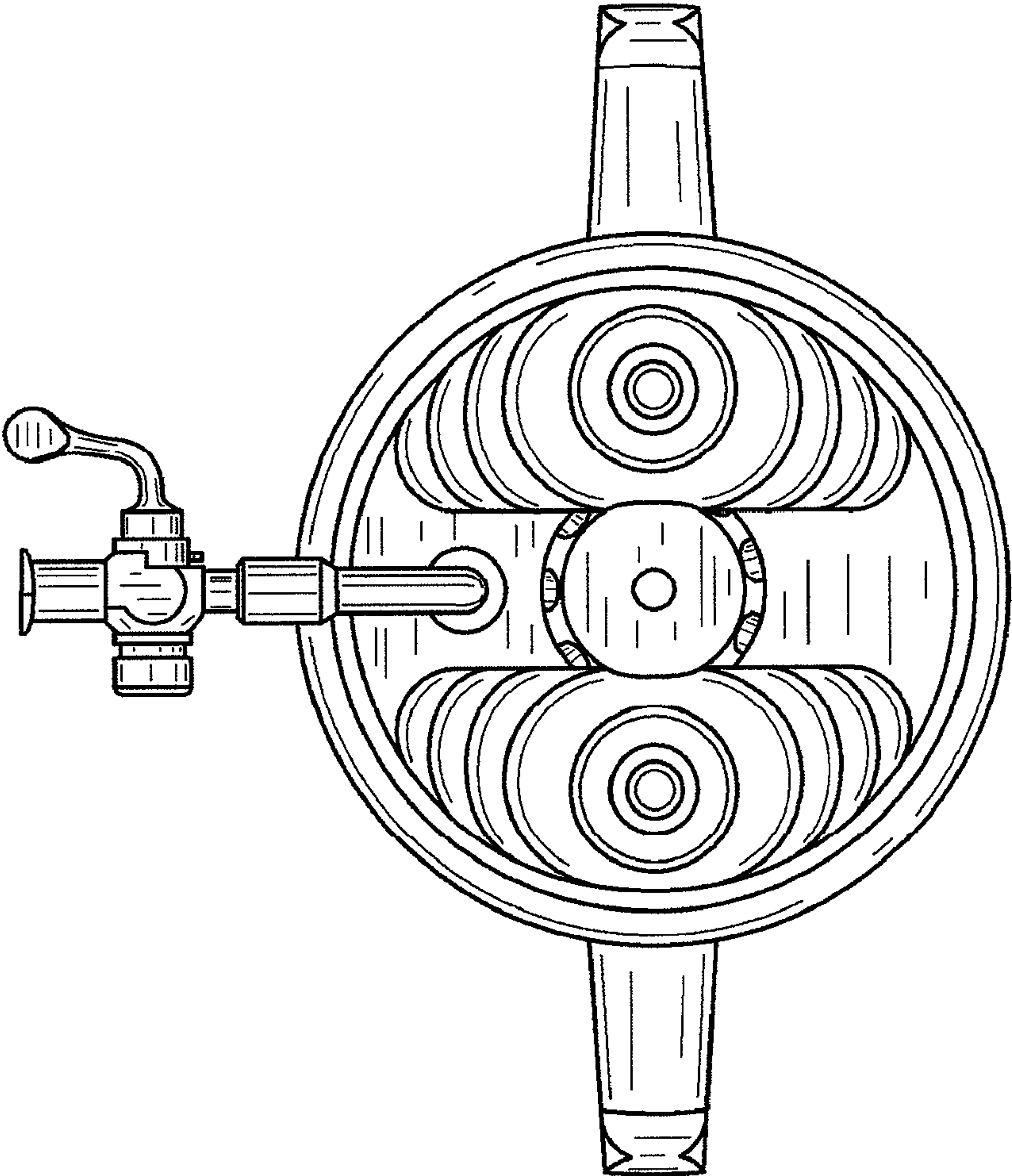


FIG. 6

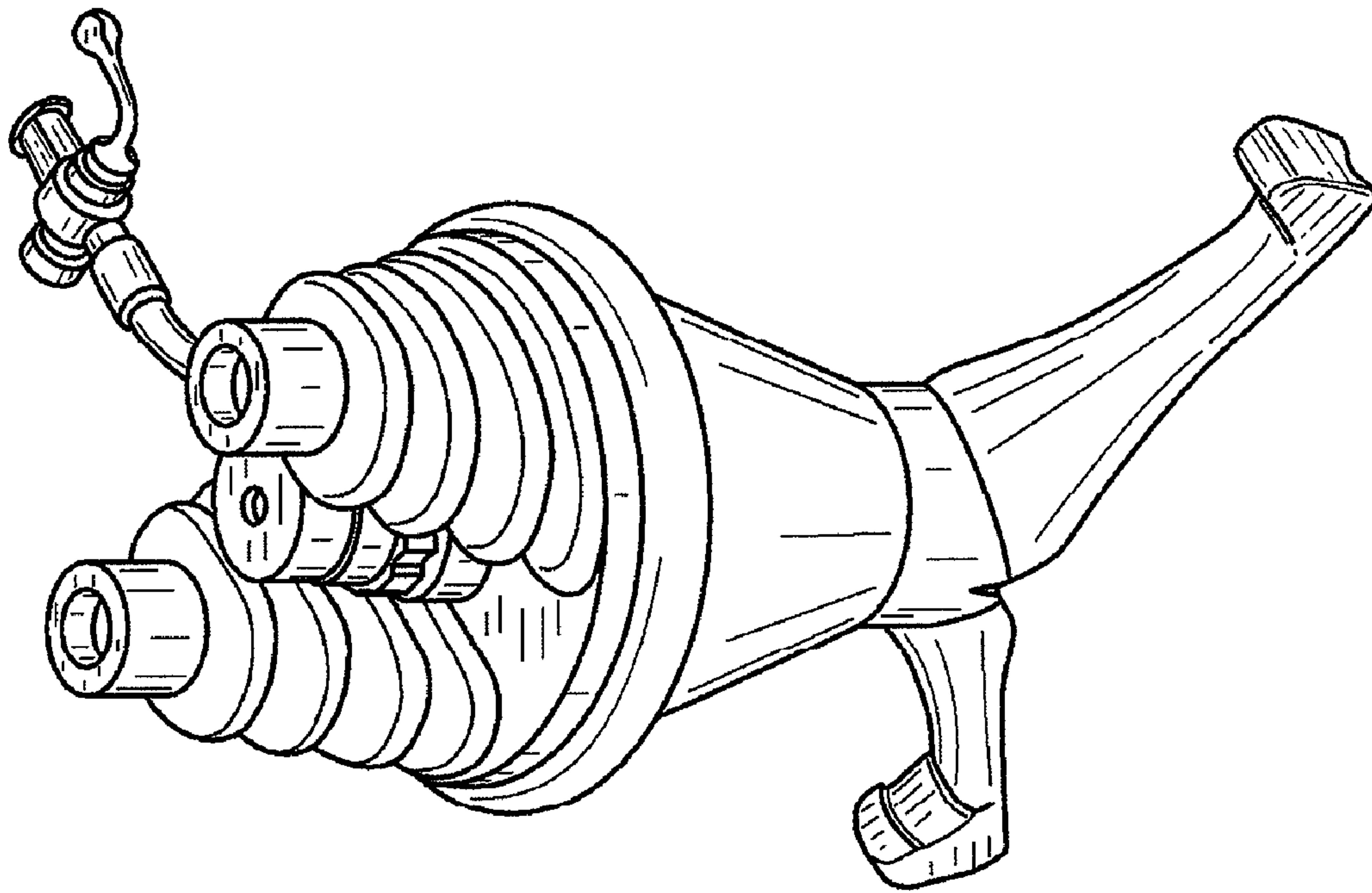


FIG. 7