



US00D619715S

(12) **United States Design Patent**  
**Kim**

(10) **Patent No.:** **US D619,715 S**

(45) **Date of Patent:** **\*\* Jul. 13, 2010**

(54) **LANCET HEAD**

*Primary Examiner*—Ian Simmons  
*Assistant Examiner*—Carissa C Fitts

(76) **Inventor:** **Stanley Kim**, 421 E. 25th St., Upland,  
CA (US) 91784

(57) **CLAIM**

(\*\*) **Term:** **14 Years**

The ornamental design for a lancet head, as shown and described.

(21) **Appl. No.:** **29/345,586**

(22) **Filed:** **Oct. 19, 2009**

**DESCRIPTION**

(51) **LOC (9) Cl.** ..... **26-02**

(52) **U.S. Cl.** ..... **D24/147; D24/146**

(58) **Field of Classification Search** ..... D24/146,  
D24/147; 606/181, 182, 184, 185, 134; 600/567  
See application file for complete search history.

FIG. 1 is a perspective view of a lancet head showing my new design.

FIG. 2 is a front view of the lancet head of FIG. 1.

FIG. 3 is a back view of the lancet head of FIG. 1.

FIG. 4 is a right side view of the lancet head of FIG. 1.

FIG. 5 is a left side view of the lancet head of FIG. 1.

FIG. 6 is a top view of the lancet head of FIG. 1; and,

FIG. 7 is a bottom view of the lancet head of FIG. 1.

The broken line showing is for environmental purposes only and forms no part of the claimed design.

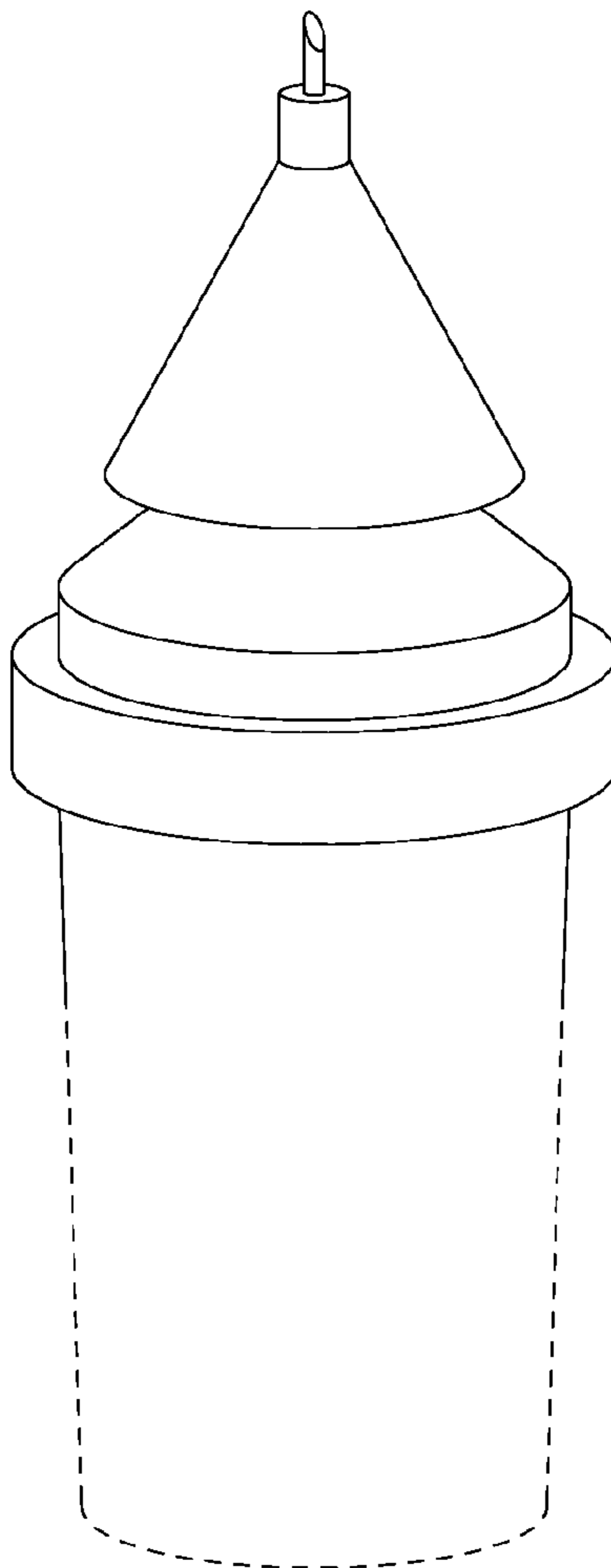
(56) **References Cited**

**U.S. PATENT DOCUMENTS**

4,635,633	A *	1/1987	Hufnagle	.....	606/181
D434,149	S *	11/2000	Mirhashemi et al.	.....	D24/150
D589,614	S *	3/2009	Cook	.....	D24/146
D598,548	S *	8/2009	Muraca	.....	D24/146
2006/0241668	A1 *	10/2006	Schrage	.....	606/181

\* cited by examiner

**1 Claim, 4 Drawing Sheets**



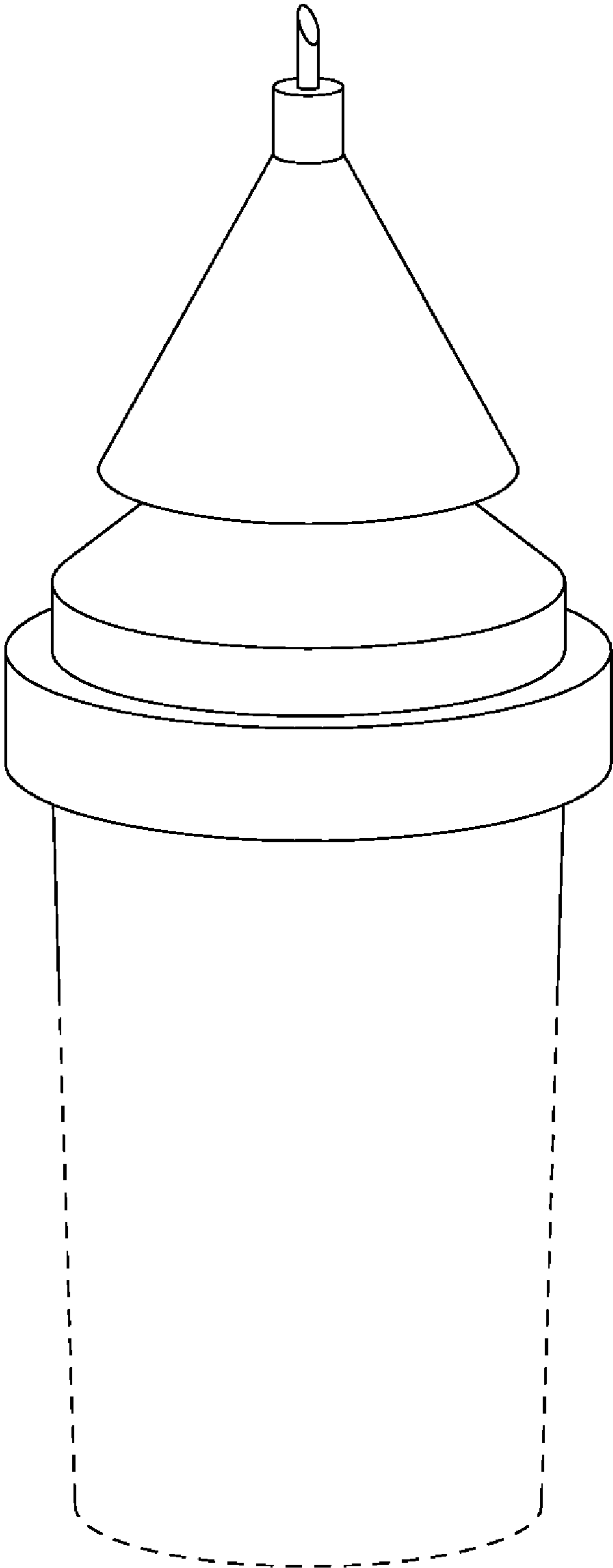


Fig. 1

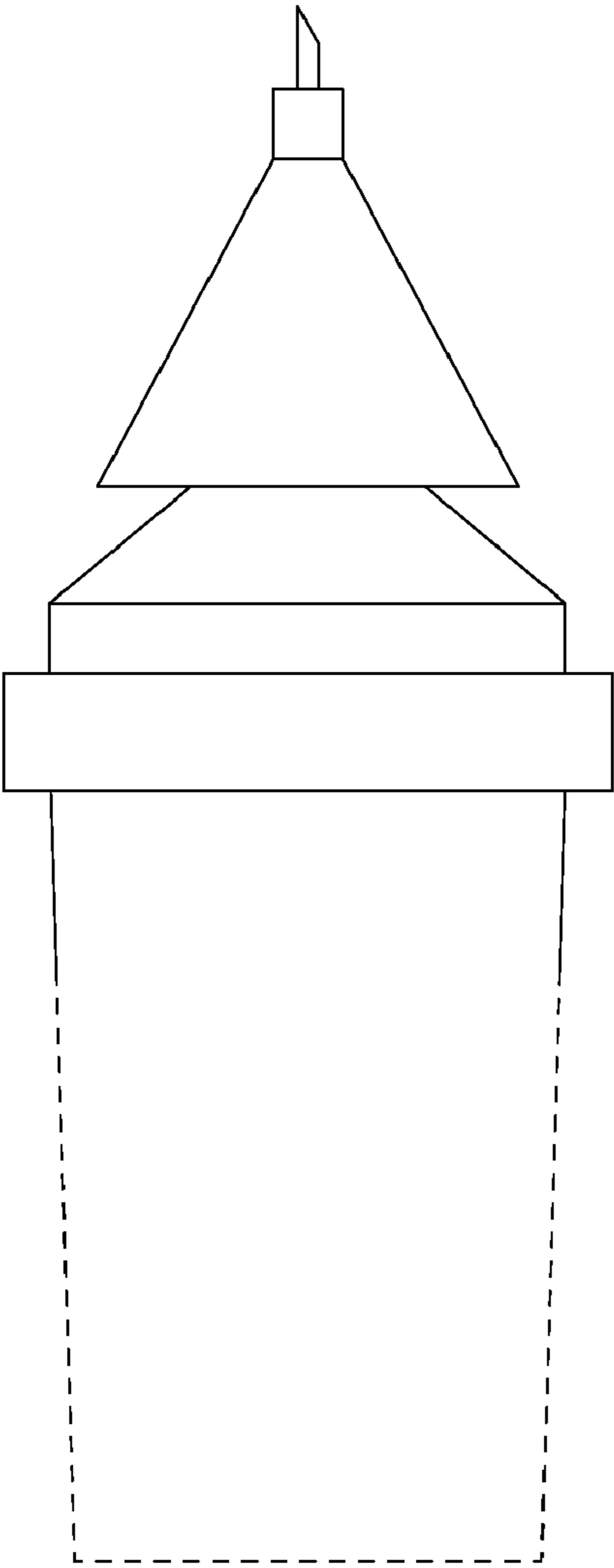


Fig. 2

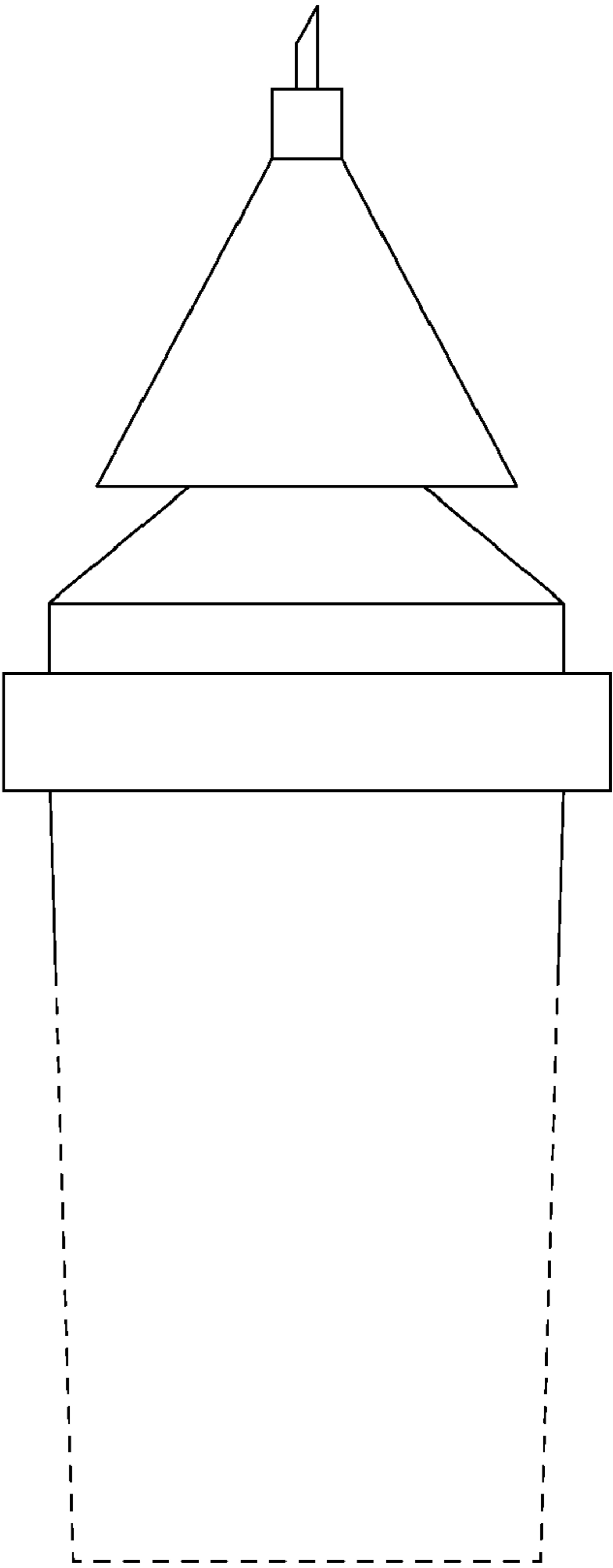


Fig. 3

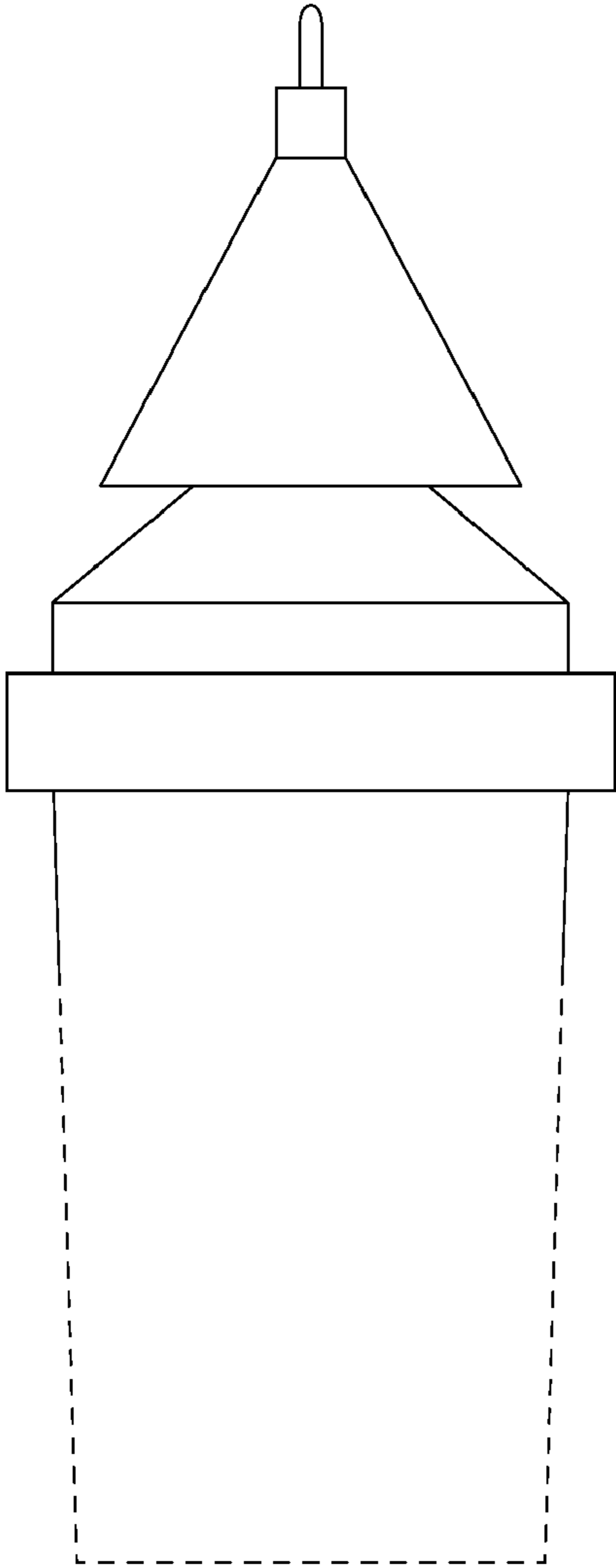


Fig. 4

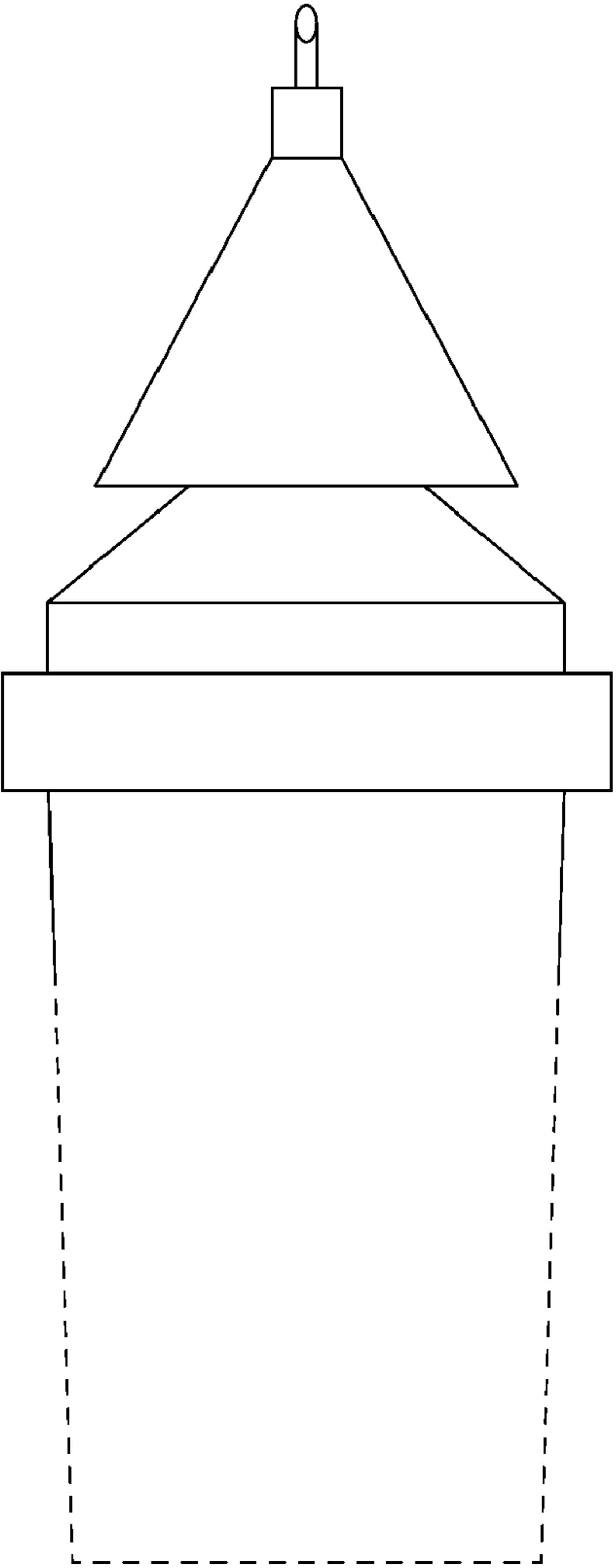
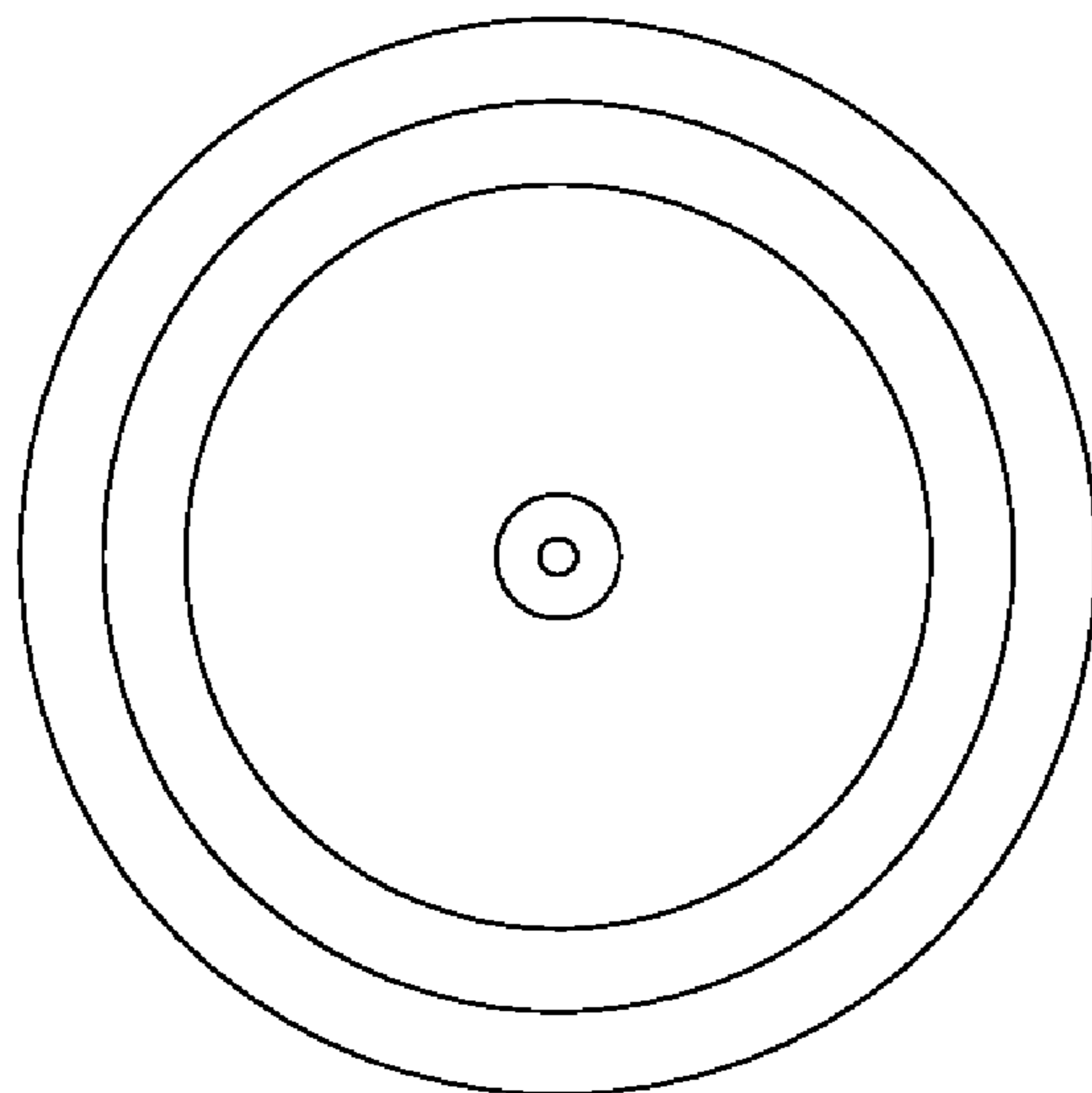
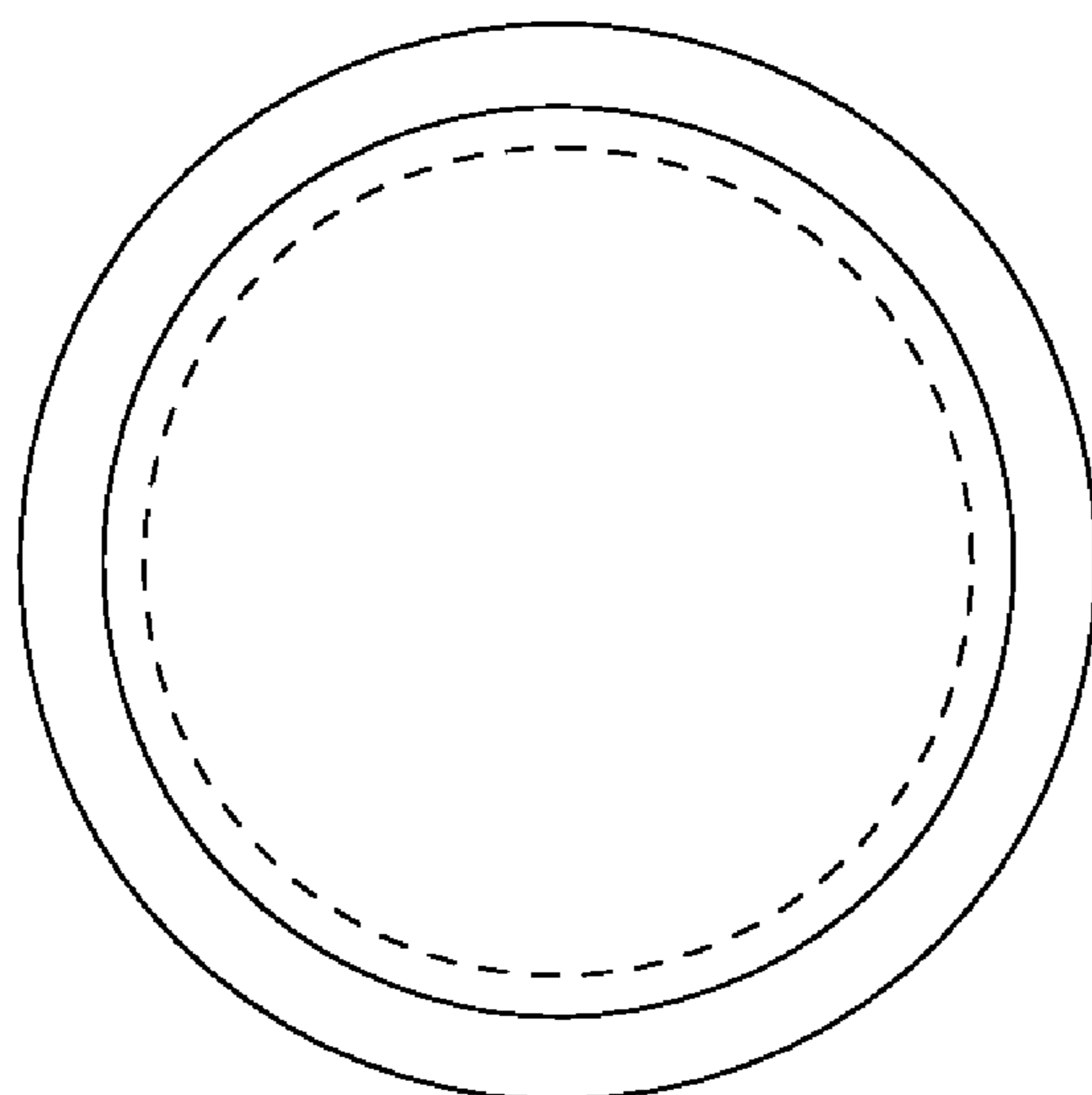


Fig. 5



**Fig. 6**



**Fig. 7**