



US00D619712S

(12) **United States Design Patent**
Kim

(10) **Patent No.:** **US D619,712 S**

(45) **Date of Patent:** **** Jul. 13, 2010**

(54) **LANCET HEAD**

(76) Inventor: **Stanley Kim**, 421 E. 25th St., Upland,
CA (US) 91784

(**) Term: **14 Years**

(21) Appl. No.: **29/345,547**

(22) Filed: **Oct. 19, 2009**

(51) **LOC (9) Cl.** **26-02**

(52) **U.S. Cl.** **D24/147; D24/146**

(58) **Field of Classification Search** D24/146,
D24/147; 606/181, 182, 184, 185, 134; 600/567
See application file for complete search history.

(56) **References Cited**

U.S. PATENT DOCUMENTS

D337,821 S *	7/1993	Tan	D24/146
D387,865 S *	12/1997	Peckham et al.	D24/146
D484,244 S *	12/2003	Starnes	D24/146
D546,447 S *	7/2007	White	D24/133
D546,450 S *	7/2007	Wolf	D24/146
D598,548 S *	8/2009	Muraca	D24/146
2003/0109895 A1 *	6/2003	Taylor et al.	606/181
2005/0131440 A1 *	6/2005	Starnes	606/181
2006/0241668 A1 *	10/2006	Schrage	606/181
2007/0049959 A1 *	3/2007	Feaster et al.	606/181

2007/0173874 A1 *	7/2007	Uschold et al.	606/181
2007/0186934 A1 *	8/2007	DeLuca	128/207.29
2008/0009893 A1 *	1/2008	LeVaughn	606/181
2010/0030249 A1 *	2/2010	Pusey et al.	606/181

* cited by examiner

Primary Examiner—Ian Simmons
Assistant Examiner—Carissa C Fitts

(57) **CLAIM**

The ornamental design for a lancet head, as shown and described.

DESCRIPTION

FIG. 1 is a perspective view of a lancet head showing my new design.

FIG. 2 is a front view of the lancet head of FIG. 1.

FIG. 3 is a back view of the lancet head of FIG. 1.

FIG. 4 is a right side view of the lancet head of FIG. 1.

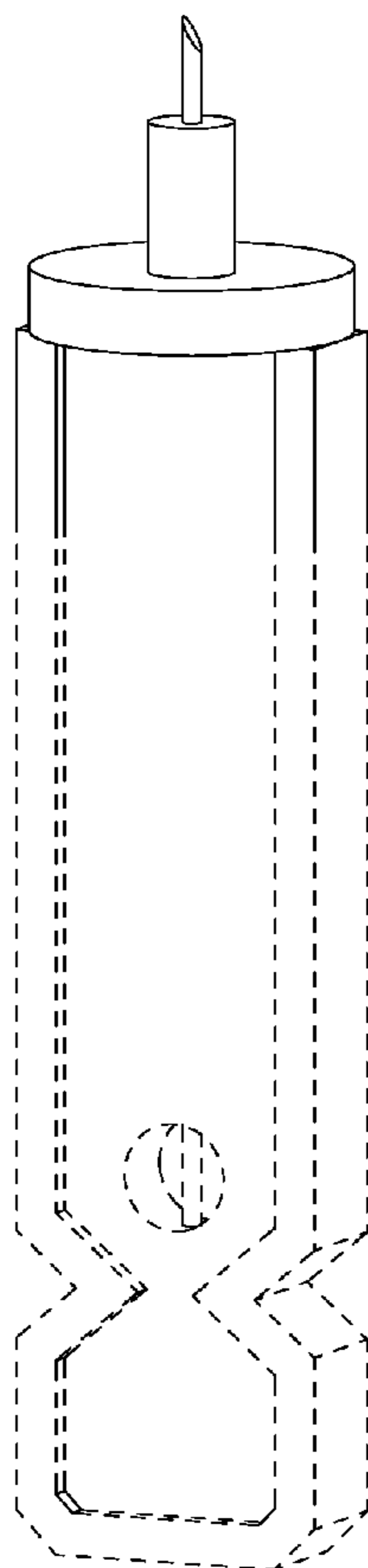
FIG. 5 is a left side view of the lancet head of FIG. 1.

FIG. 6 is a top view of the lancet head of FIG. 1; and,

FIG. 7 is a bottom view of the lancet head of FIG. 1.

The broken line showing is for environmental purposes only and forms no part of the claimed design.

1 Claim, 4 Drawing Sheets



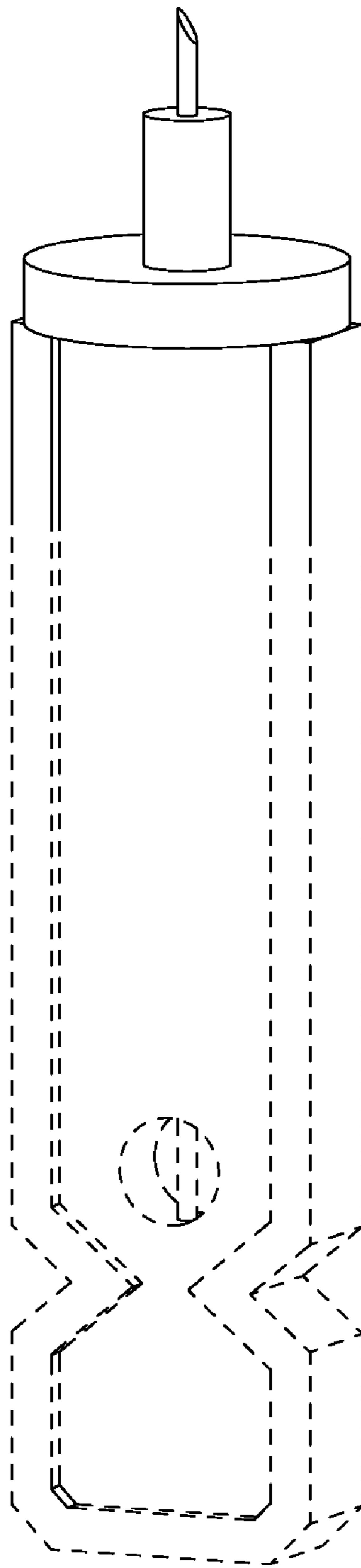


Fig. 1

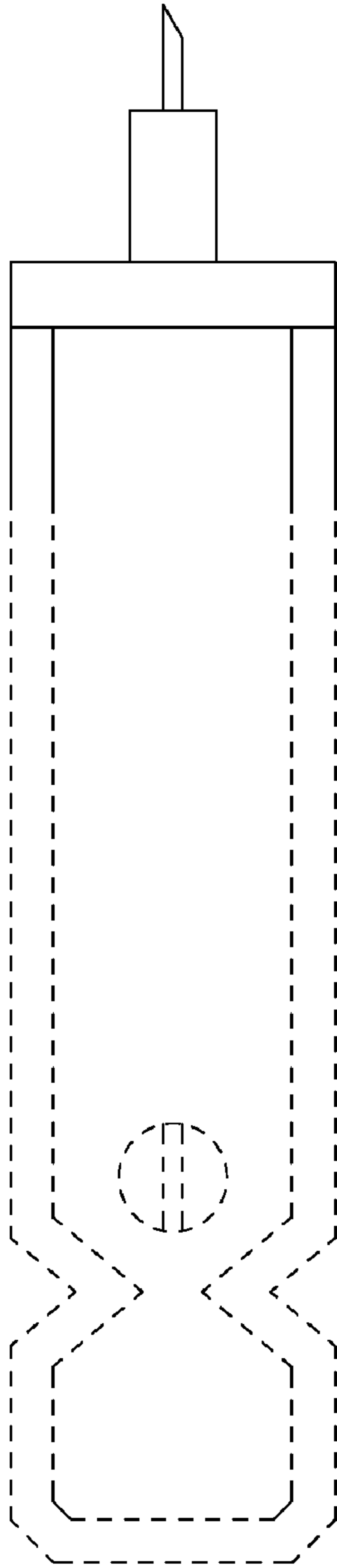


Fig. 2

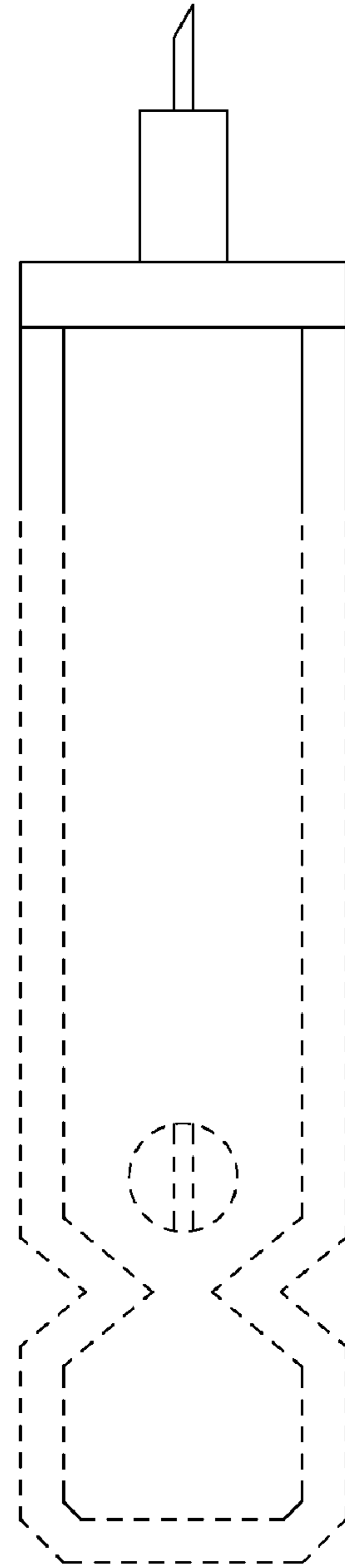


Fig. 3

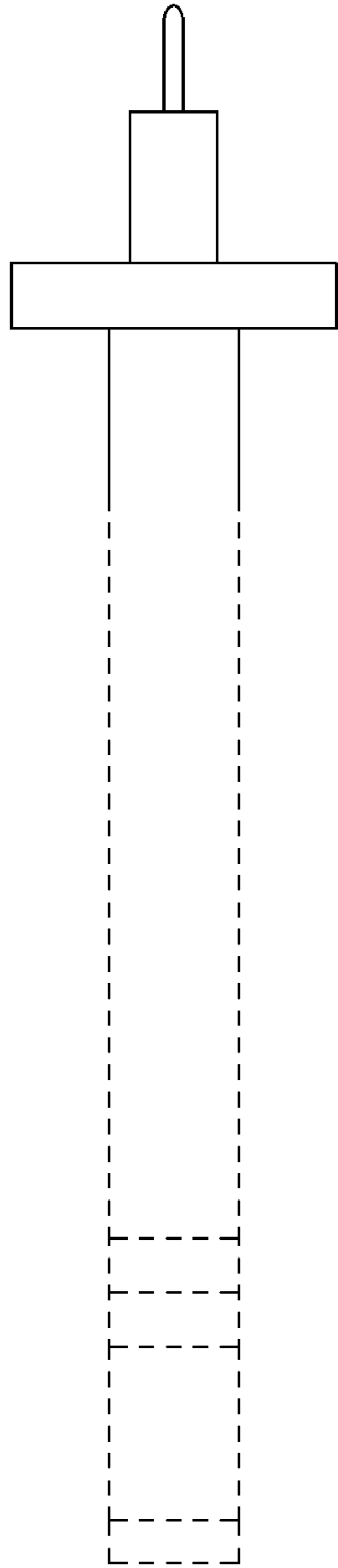


Fig. 4

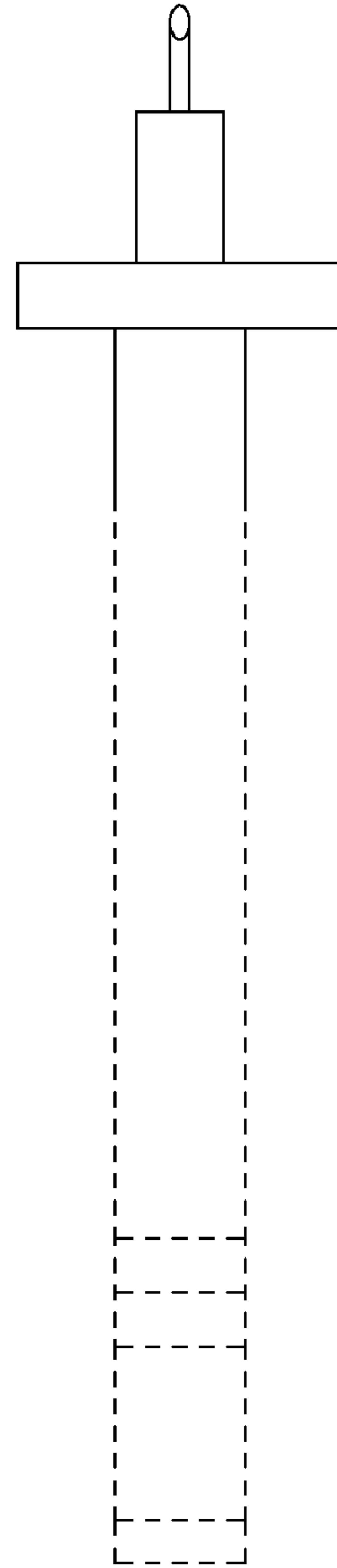


Fig. 5

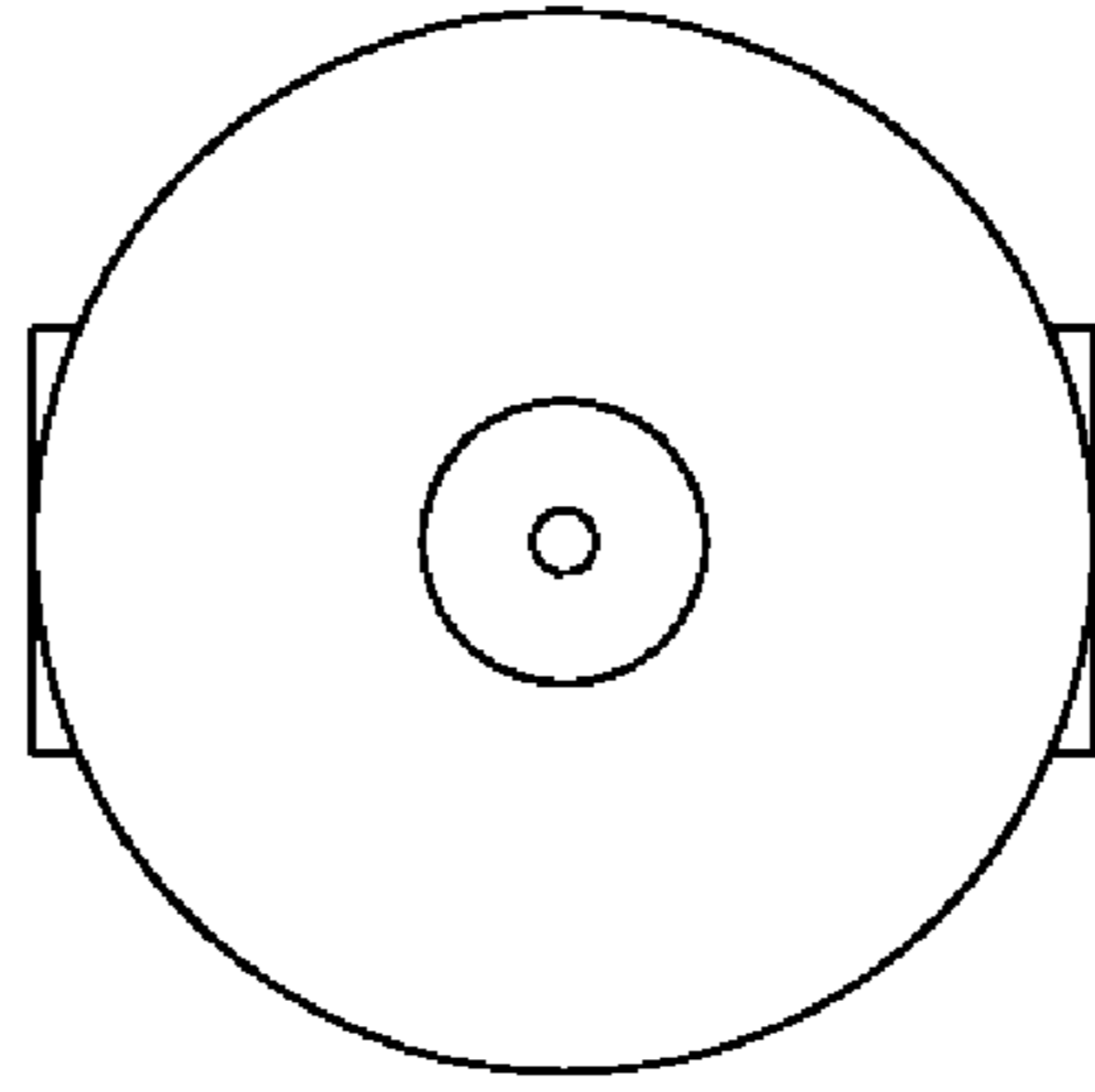


Fig. 6

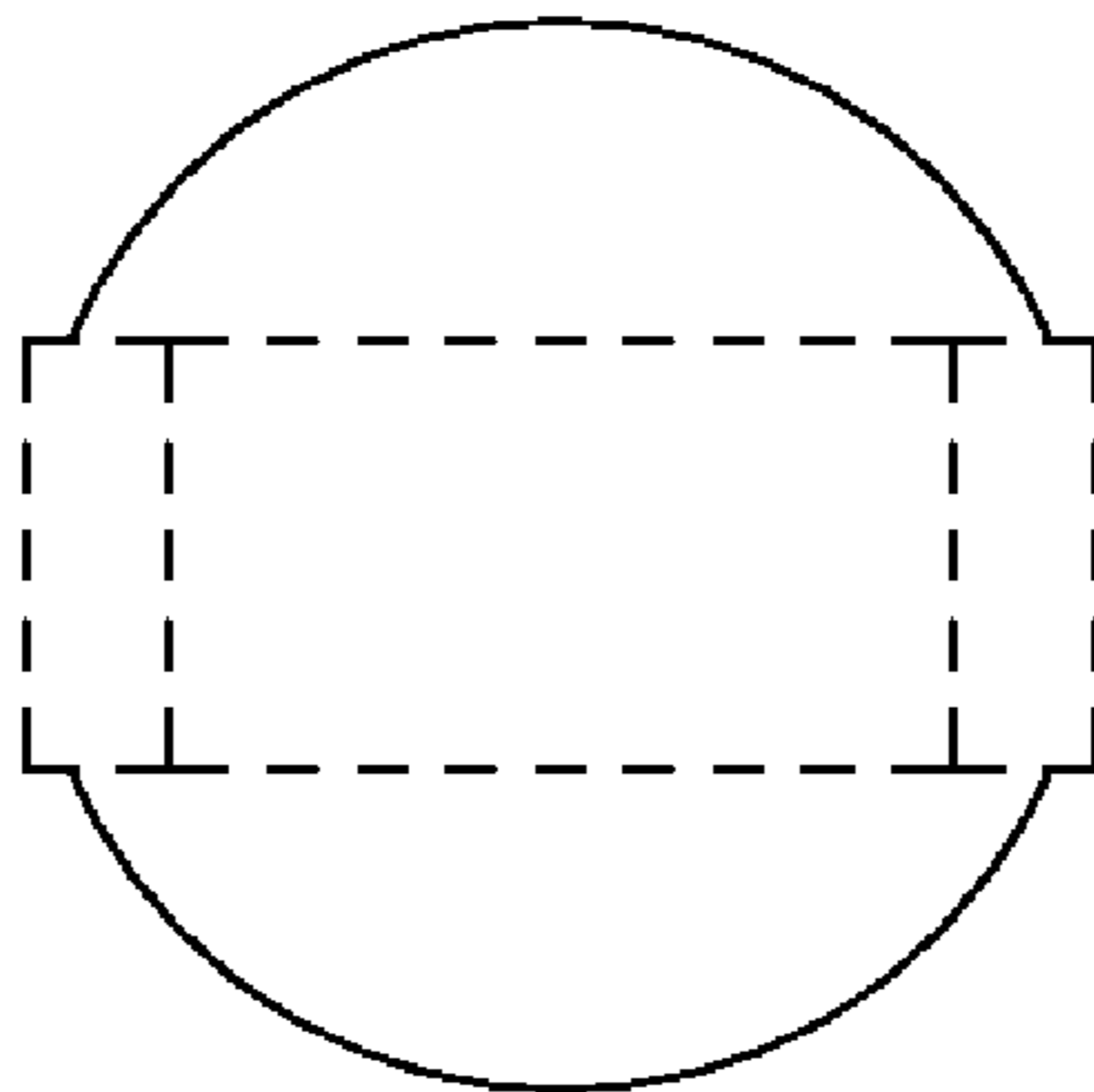


Fig. 7