



US00D619711S

(12) **United States Design Patent**
Lombardo et al.

(10) **Patent No.:** **US D619,711 S**
(45) **Date of Patent:** **** Jul. 13, 2010**

(54) **MEDICAL CLAMP**

(75) Inventors: **Eugenio Lombardo**, Ponte Nelle ALPI (IT); **Aldo Calimeri**, Mirandola (IT)

(73) Assignee: **Gambro Lundia AB** (SE)

(**) Term: **14 Years**

(21) Appl. No.: **29/344,017**

(22) Filed: **Sep. 22, 2009**

(30) **Foreign Application Priority Data**

Mar. 23, 2009 (EM) 001110779-0001

(51) **LOC (9) Cl.** **24-02**

(52) **U.S. Cl.** **D24/143; D8/395; D24/128**

(58) **Field of Classification Search** D24/128, D24/133, 143, 129; D8/390, 395; 248/74.2, 248/316.1; 606/157; 24/499, 562-563, 536, 24/557, 293, 508, 910; 128/DIG. 25, 885; 604/34, 151-153, 157, 250; 251/4, 6-7, 251/9-10

See application file for complete search history.

(56) **References Cited**

U.S. PATENT DOCUMENTS

4,277,864 A * 7/1981 Orson, Sr. 24/557
D427,307 S * 6/2000 Guala et al. D24/129
6,089,527 A * 7/2000 Utterberg 251/4
6,113,062 A * 9/2000 Schnell et al. 251/10

D431,650 S * 10/2000 Guala et al. D24/129
D447,564 S * 9/2001 Stewart, Jr. D24/143
6,665,914 B2 * 12/2003 Ogawa 411/508
6,732,983 B1 * 5/2004 Blake et al. 248/74.2
D570,203 S * 6/2008 Shiomoto D8/395
D584,406 S * 1/2009 Veedfald et al. D24/128

* cited by examiner

Primary Examiner—Ian Simmons

Assistant Examiner—Wan Laymon

(74) *Attorney, Agent, or Firm*—Finnegan, Henderson, Farabow, Garrett & Dunner LLP

(57) **CLAIM**

The ornamental design for a medical clamp, as shown and described.

DESCRIPTION

FIG. 1 is a perspective view of a medical clamp showing our new design;

FIG. 2 is a left side view thereof, the right side view being a mirror image thereof;

FIG. 3 is a front view thereof;

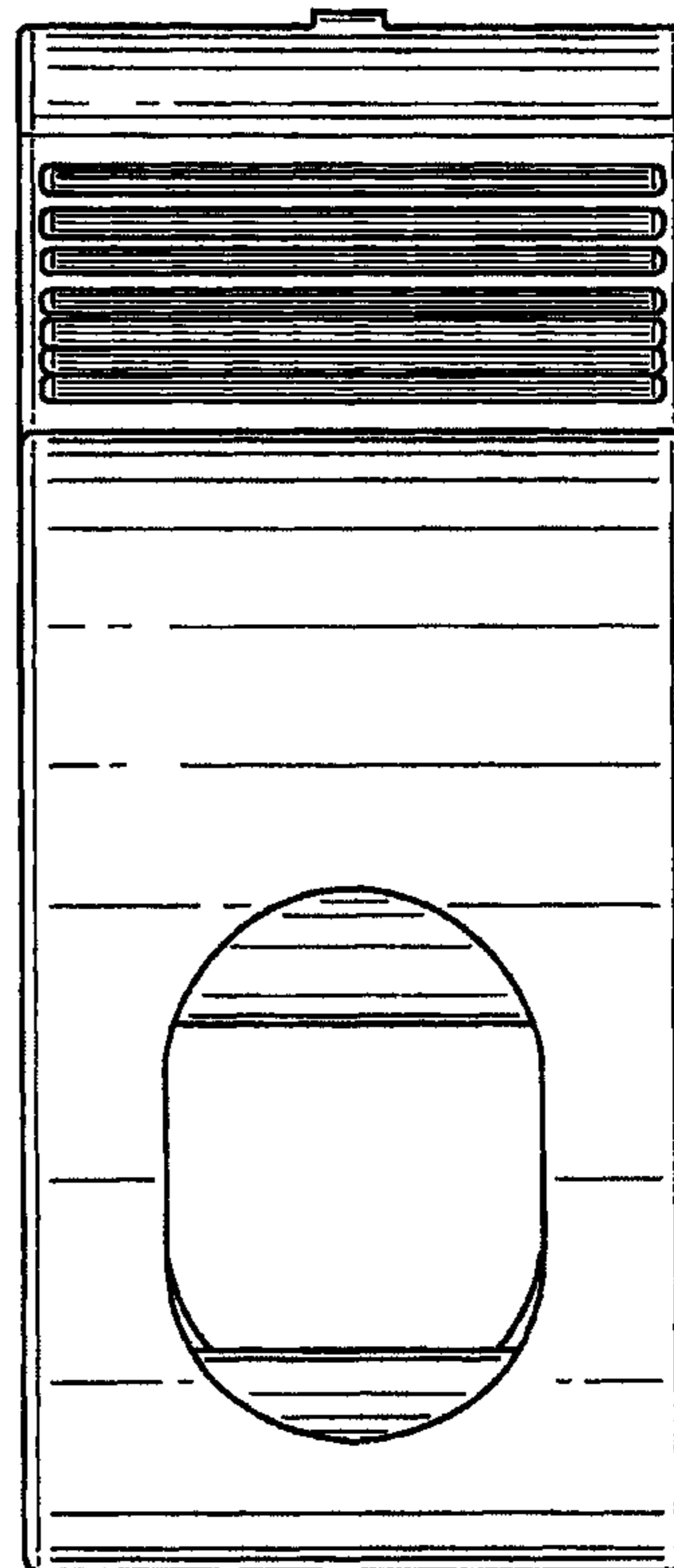
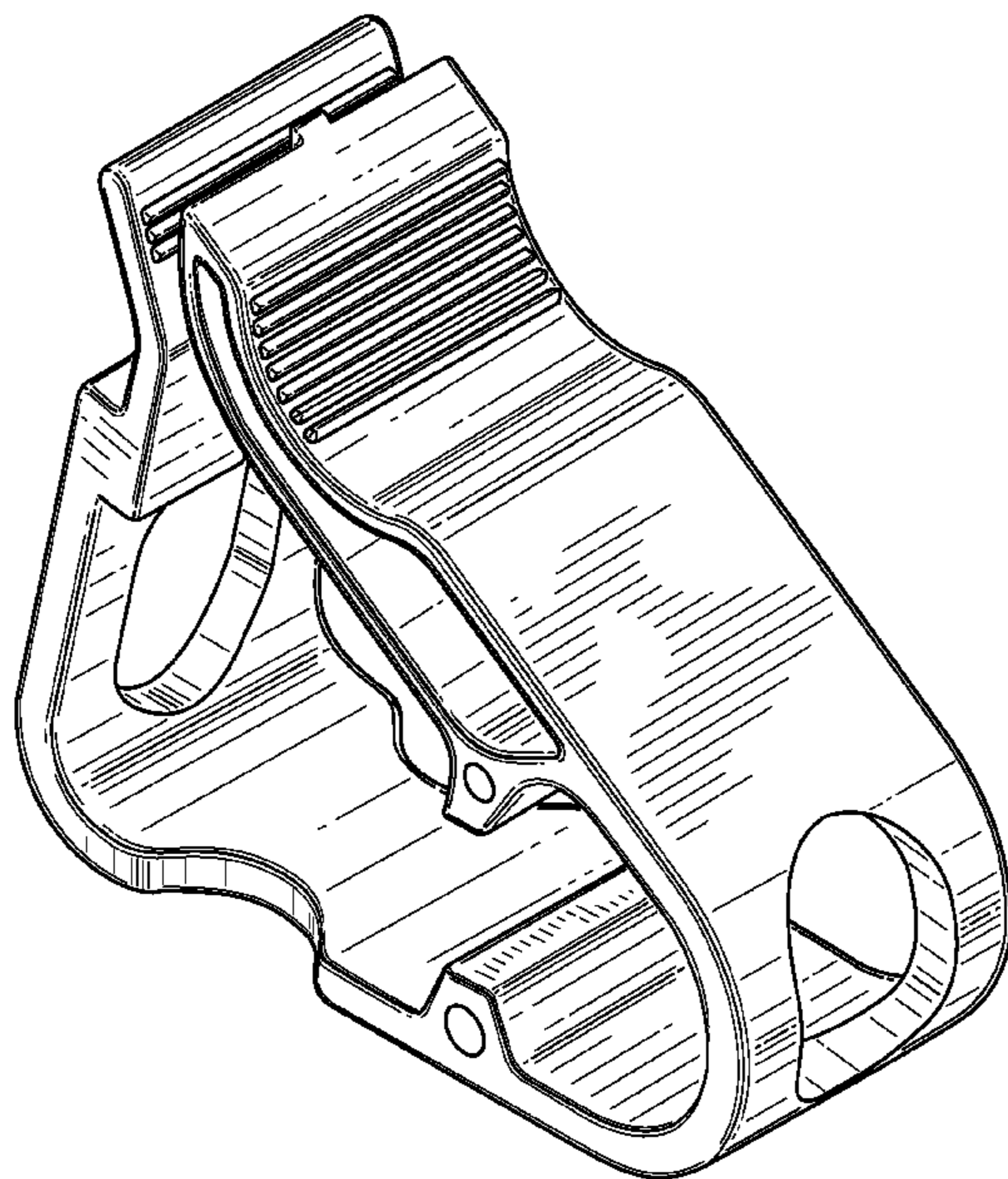
FIG. 4 is a rear view thereof;

FIG. 5 is a top plan view thereof;

FIG. 6 is a bottom plan view thereof; and,

FIG. 7 is a second perspective view thereof.

1 Claim, 7 Drawing Sheets



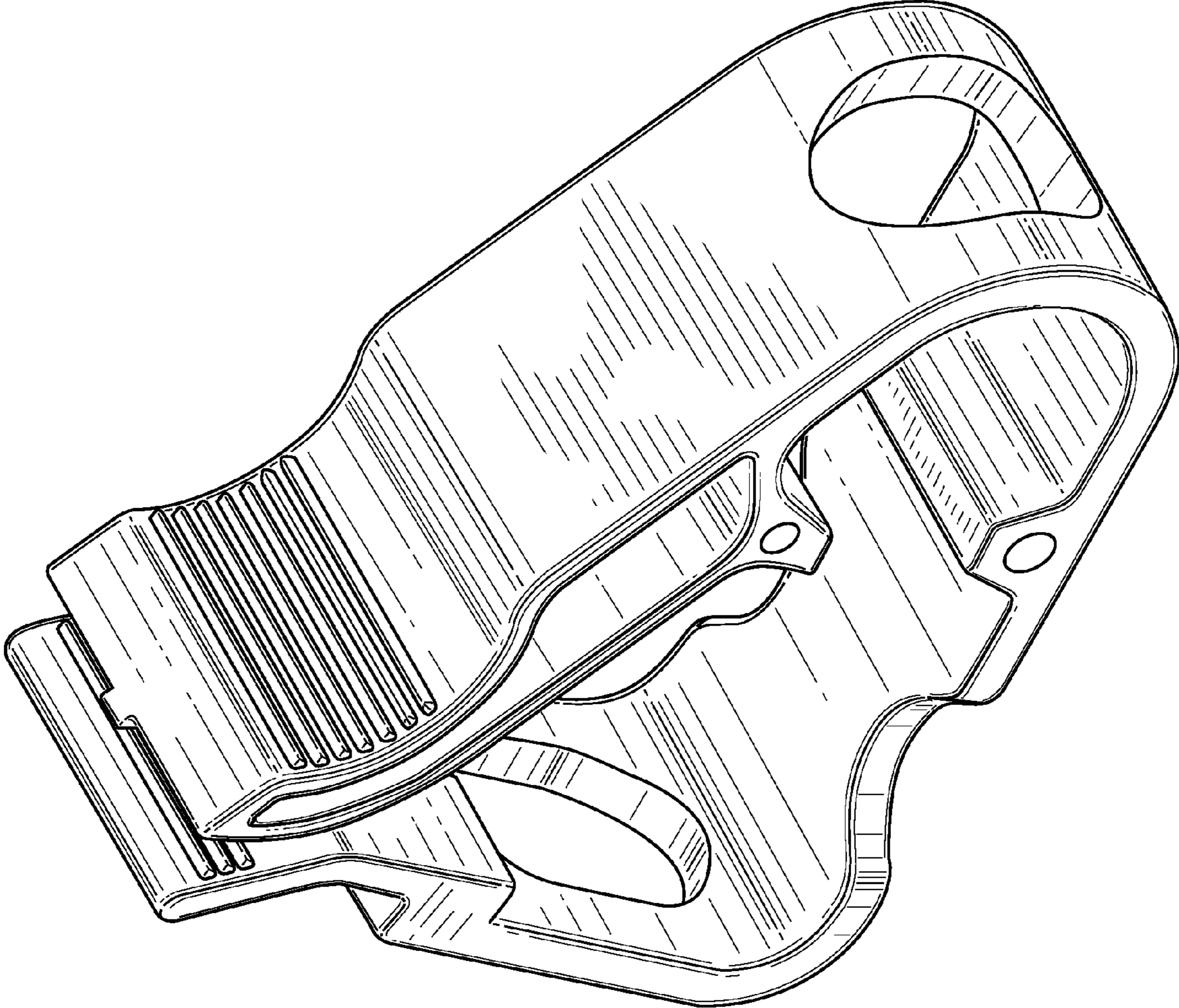


FIG. 1

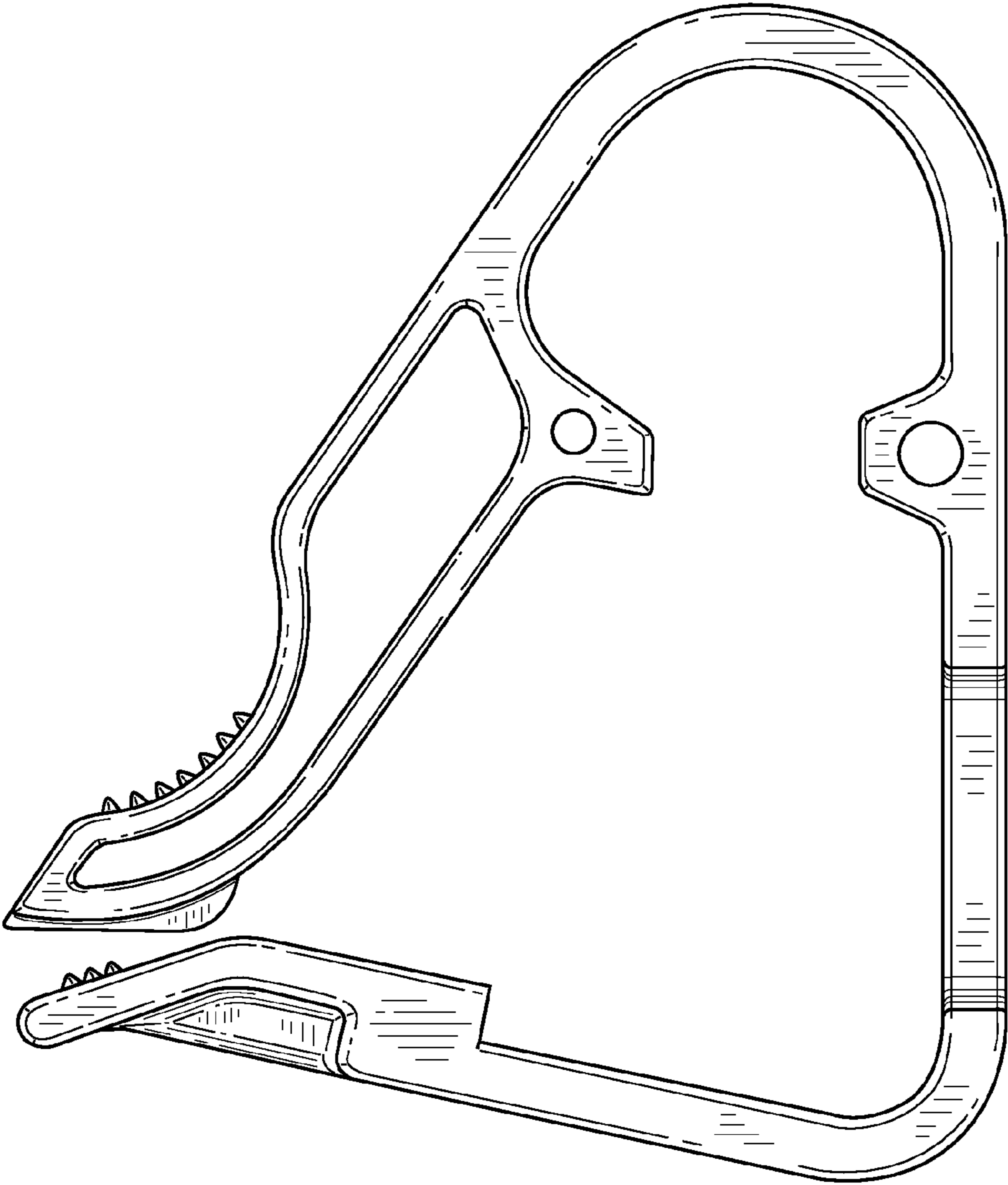


FIG. 2

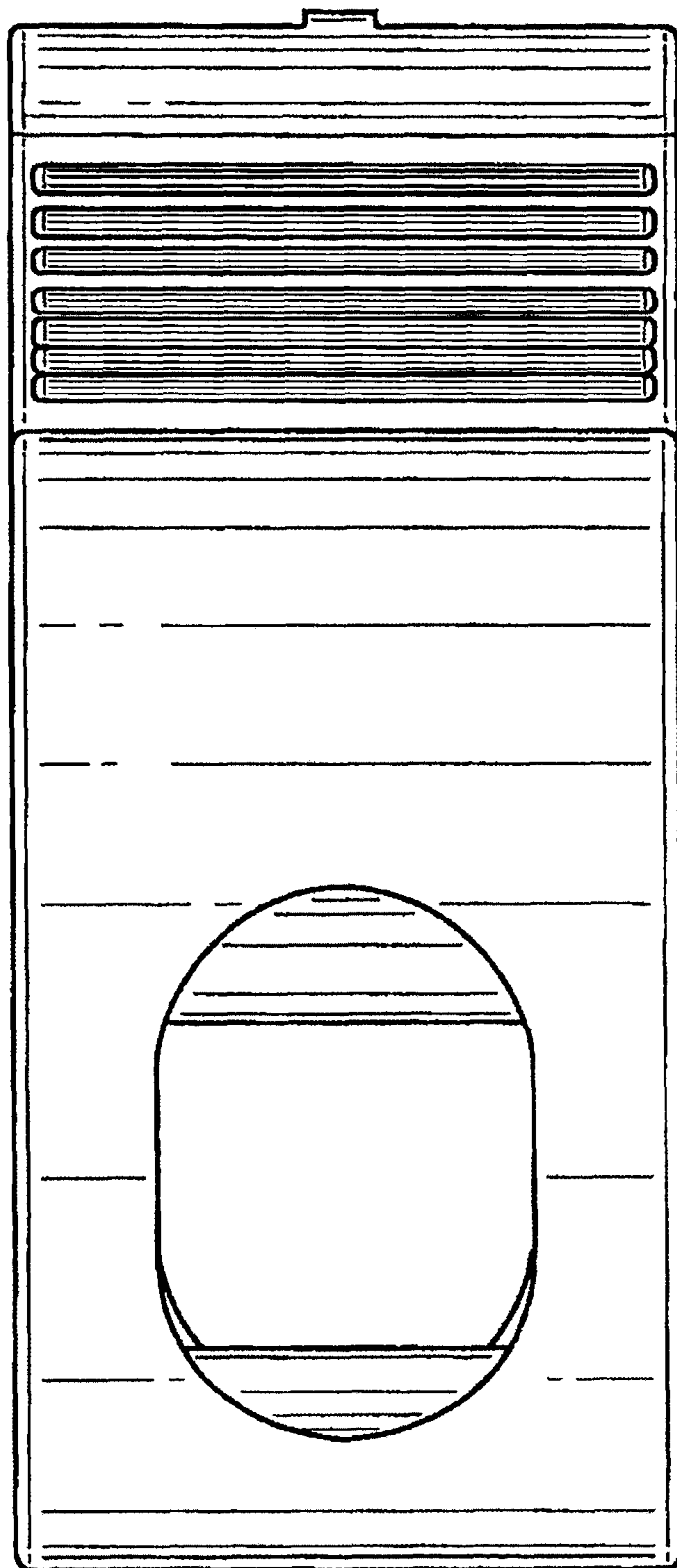


FIG. 3

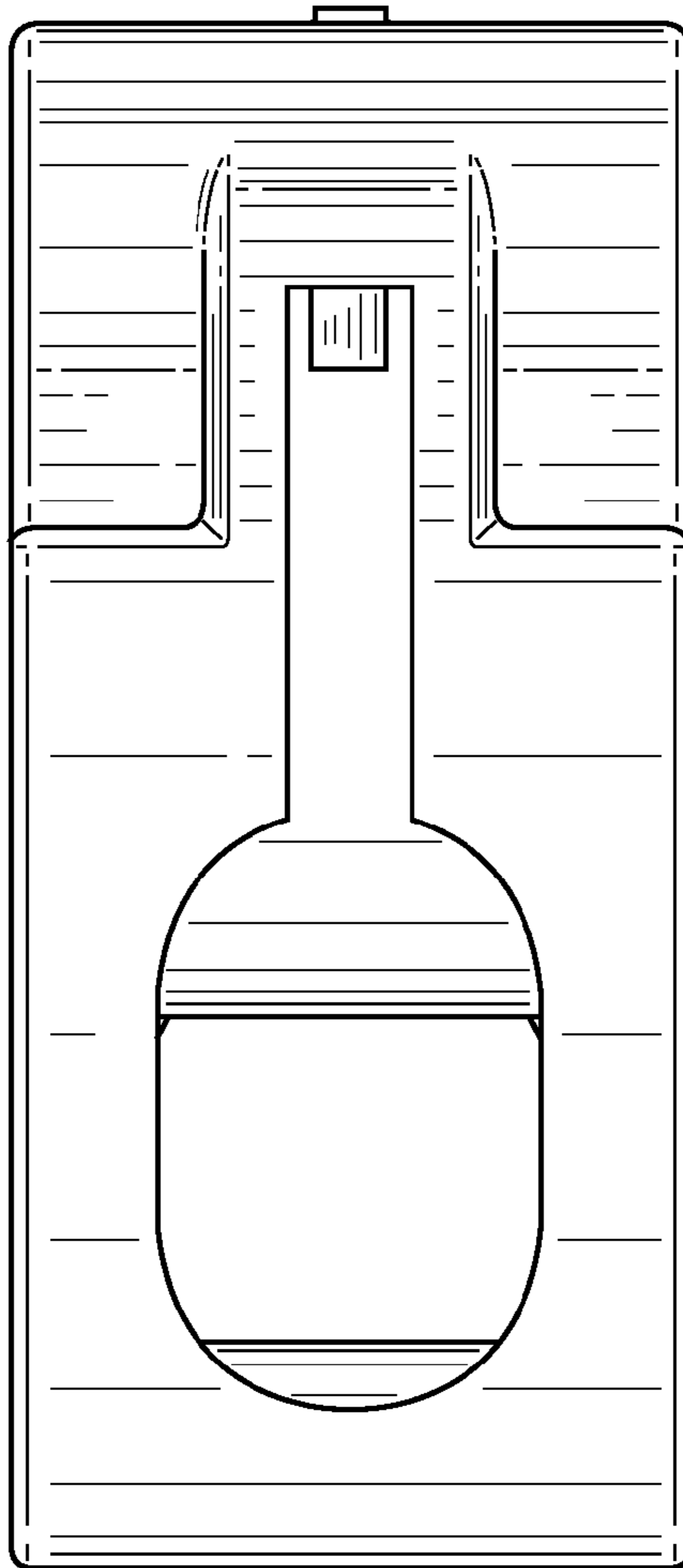


FIG. 4

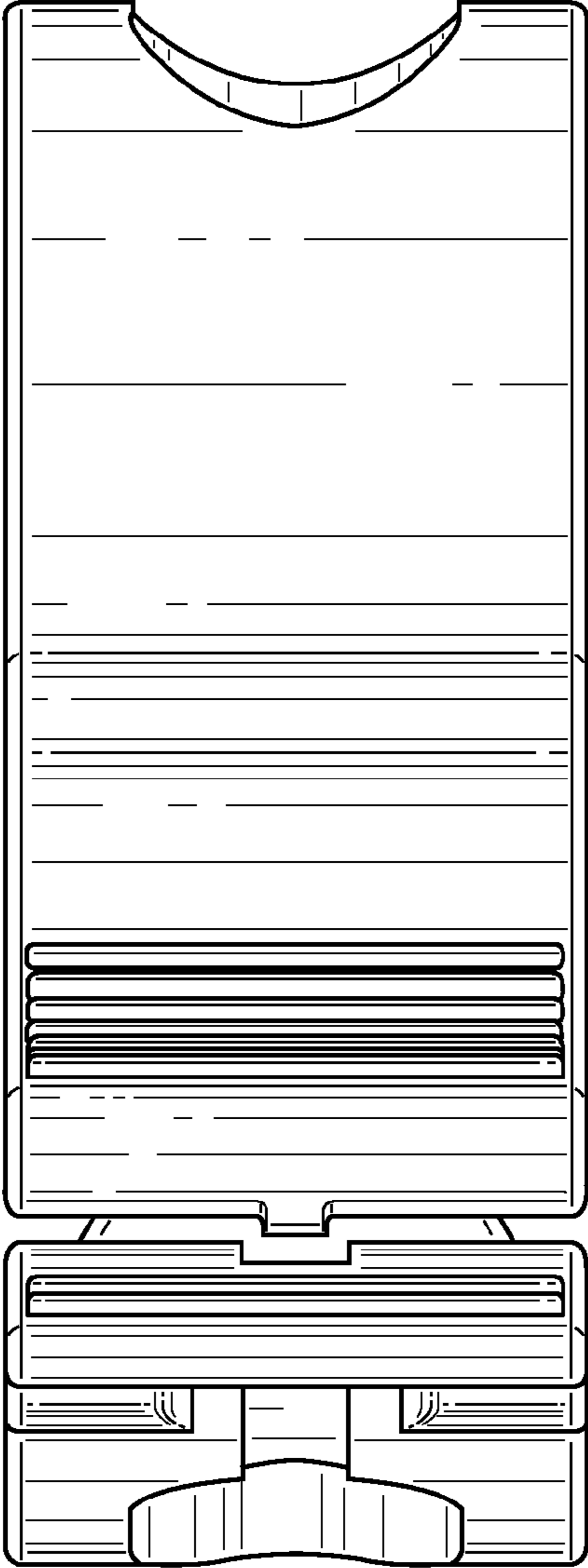


FIG. 5

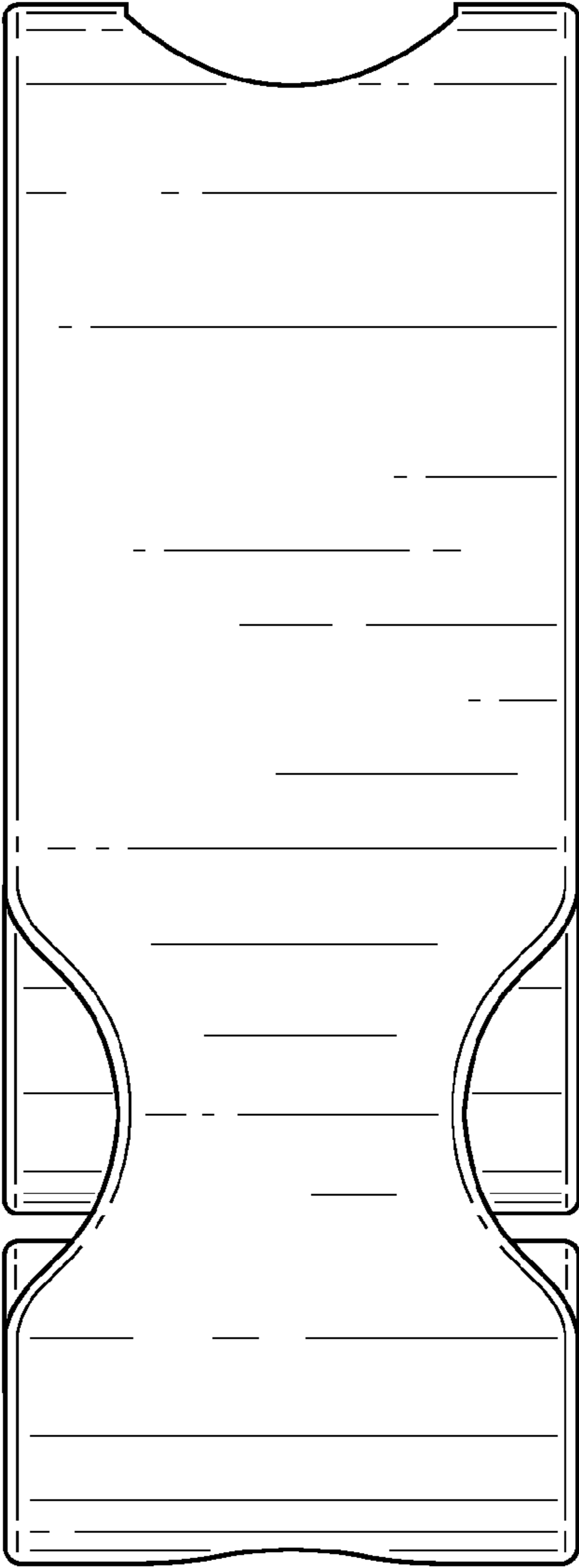


FIG. 6

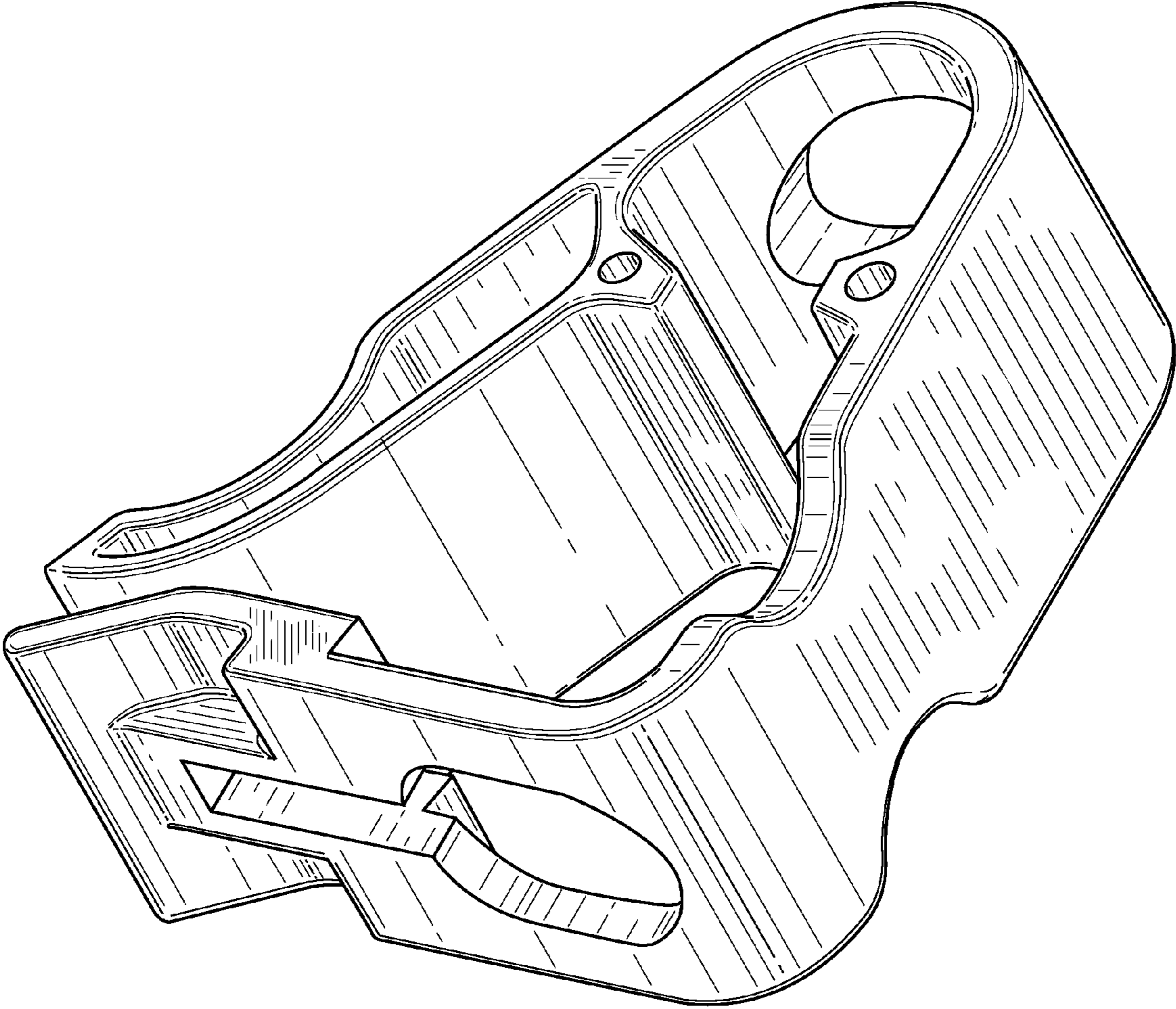


FIG. 7