



US00D619708S

(12) **United States Design Patent**  
**Ellman**

(10) **Patent No.:** **US D619,708 S**  
(45) **Date of Patent:** **\*\* Jul. 13, 2010**

(54) **OPHTHALMOSCOPE**

(76) Inventor: **Marc Ellman**, 1011 Bold Ruler Ct., El Paso, TX (US) 79936

(\*\*) Term: **14 Years**

(21) Appl. No.: **29/337,776**

(22) Filed: **May 29, 2009**

(51) **LOC (9) Cl.** ..... **24-02**

(52) **U.S. Cl.** ..... **D24/137; D24/150**

(58) **Field of Classification Search** ..... D24/121, D24/221, 176, 177, 227, 230, 133, 134, 135, D24/136, 137, 138, 139, 140, 141, 142, 143, D24/146, 150, 152, 144, 145, 147, 148, 149, D24/151, 153, 154, 127, 128, 129, 130, 107-108, D24/112, 111, 200; D23/233, 235; D8/40, D8/47, 57, 60, 67, 68, 69, 80, 82, 83, 84, D8/93, 94, 97, 107, 72, 73, 74, 52, 56; 600/101, 600/104, 105, 106, 109, 112, 131, 135, 160, 600/162, 215, 225, 431, 564, 568; 606/129, 606/186, 4, 5, 6; 81/9.22; 604/48; 433/163; 206/63.5

See application file for complete search history.

(56) **References Cited**

**U.S. PATENT DOCUMENTS**

D189,554 S *	1/1961	Armbruster	.....	D24/137
D207,371 S *	4/1967	Pulos	.....	D24/137
D221,255 S *	7/1971	Heine	.....	D24/137
D231,949 S *	6/1974	Pulos	.....	D24/137
D238,100 S *	12/1975	Pulos	.....	D24/137
4,304,483 A	12/1981	Whitten		
4,742,819 A *	5/1988	George	.....	600/109
5,599,276 A	2/1997	Hauptli et al.		
D379,514 S *	5/1997	Laun et al.	.....	D24/137
5,658,235 A	8/1997	Priest et al.		
5,885,214 A *	3/1999	Monroe et al.	.....	600/407
D426,920 S *	6/2000	Georgescu	.....	D28/59
D441,076 S *	4/2001	Cooper et al.	.....	D24/133
6,275,718 B1	8/2001	Lempert		
6,432,046 B1	8/2002	Yarush et al.		

6,511,420 B1	1/2003	Farrell et al.		
6,554,765 B1	4/2003	Yarush et al.		
6,743,168 B2	6/2004	Luloh et al.		
6,761,561 B2	7/2004	Mandelkern et al.		
6,862,036 B2	3/2005	Adair et al.		
7,086,859 B2	8/2006	Gregorio et al.		
7,211,042 B2	5/2007	Chatenever		
D550,842 S *	9/2007	Koch et al.	.....	D24/146
7,364,297 B2	4/2008	Goldfain et al.		
2005/0110949 A1	5/2005	Goldfain et al.		
2005/0171399 A1	8/2005	Rich et al.		
2007/0106117 A1 *	5/2007	Yokota	.....	600/120

**OTHER PUBLICATIONS**

James Tyrrell, "Ophthalmoscope Goes Digital", optics.org (Jul. 30, 2004) <http://optics.org/cws/article/research/19973>.

\* cited by examiner

*Primary Examiner*—Jeffrey D Asch

*Assistant Examiner*—Bridget L Eland

(74) *Attorney, Agent, or Firm*—Adam R. Stephenson, Ltd

(57) **CLAIM**

The ornamental design for an ophthalmoscope, as shown and described.

**DESCRIPTION**

FIG. 1 is a rear perspective view of an ophthalmoscope;

FIG. 2 is a left side view thereof;

FIG. 3 is a right side view thereof;

FIG. 4 is a front view thereof;

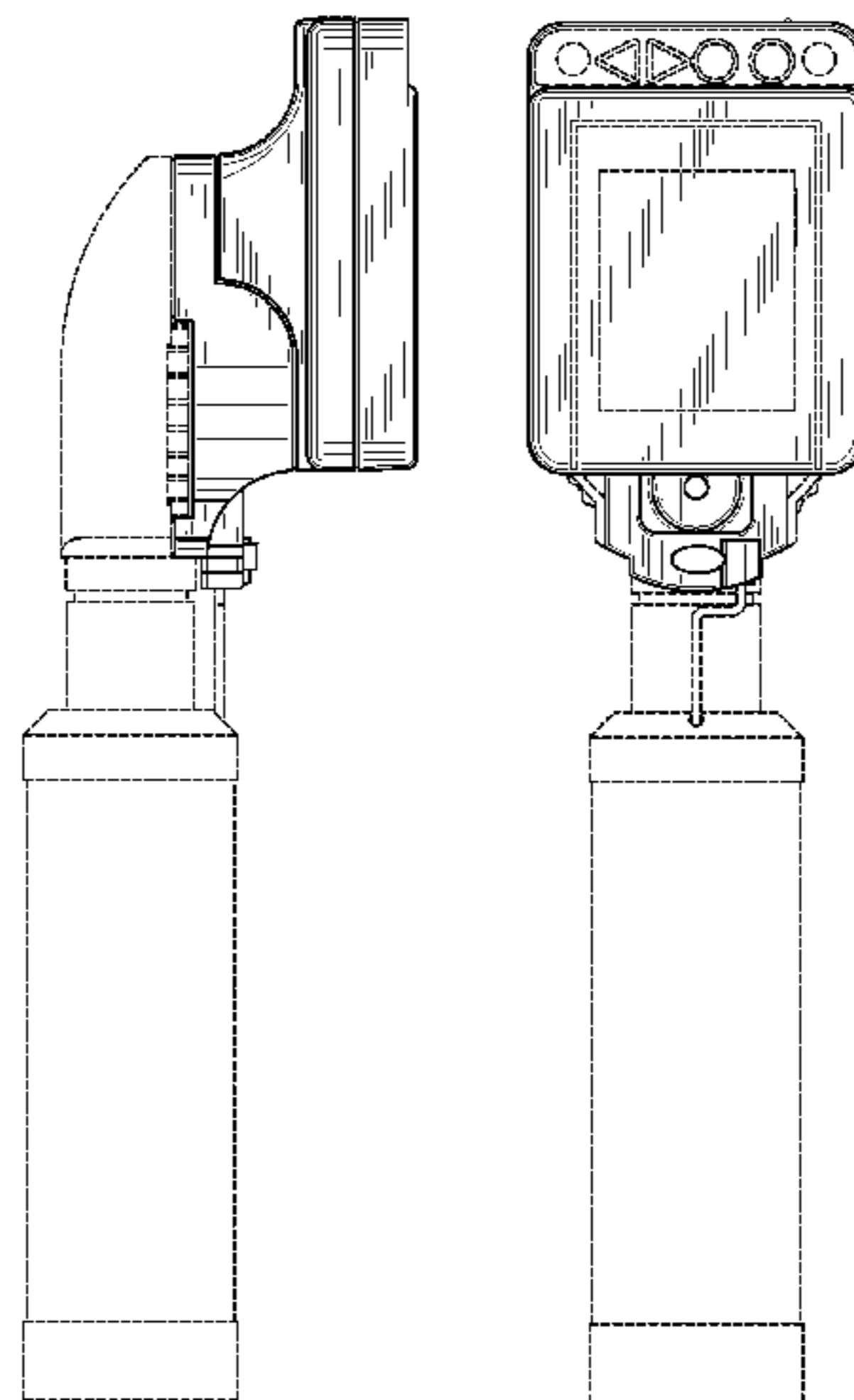
FIG. 5 is a rear view thereof;

FIG. 6 is a top view thereof; and,

FIG. 7 is a bottom view thereof.

The broken lines immediately adjacent the shaded areas that define unshaded regions represent the bounds of the claimed design while all other broken lines are directed to environment and are for illustrative purposes only; the broken lines form no part of the claimed design.

**1 Claim, 6 Drawing Sheets**



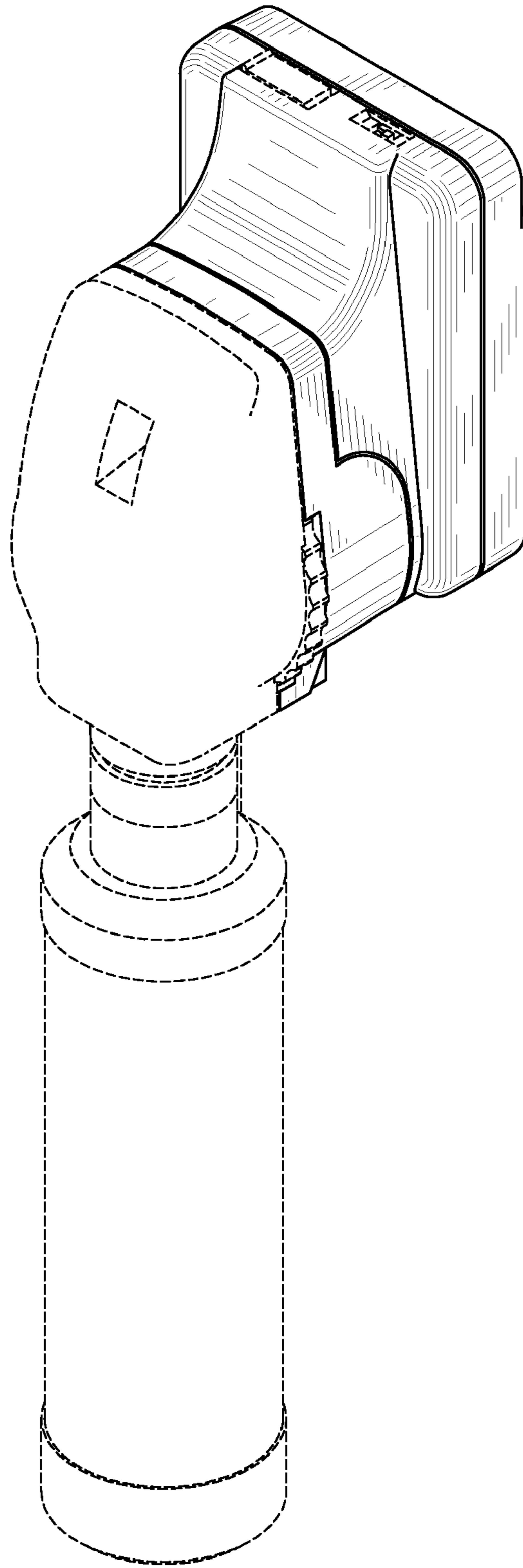


FIG. 1

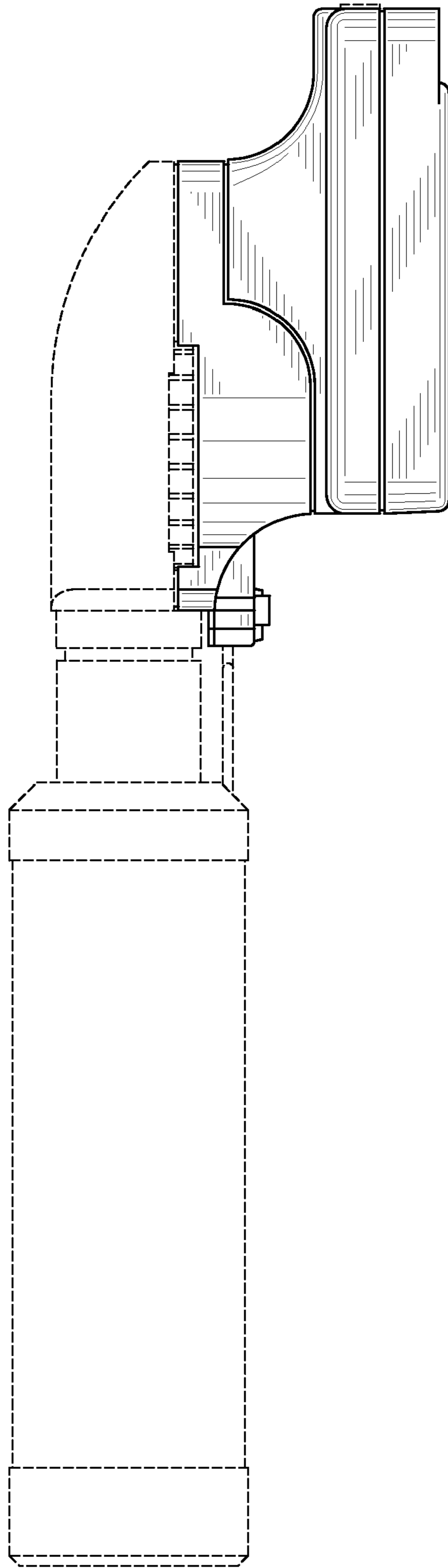


FIG. 2

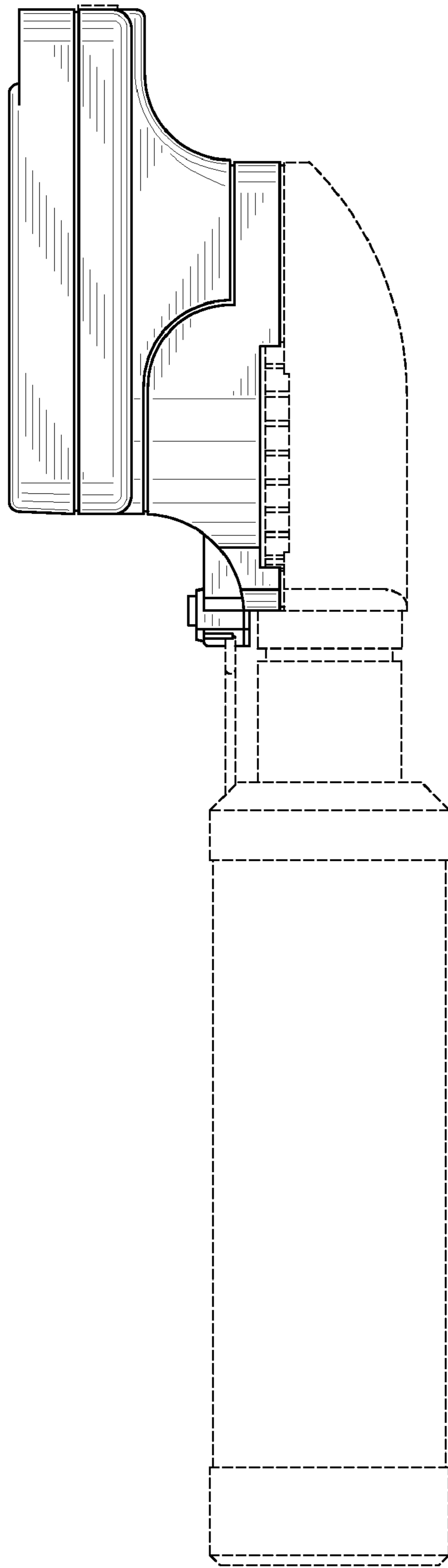


FIG. 3

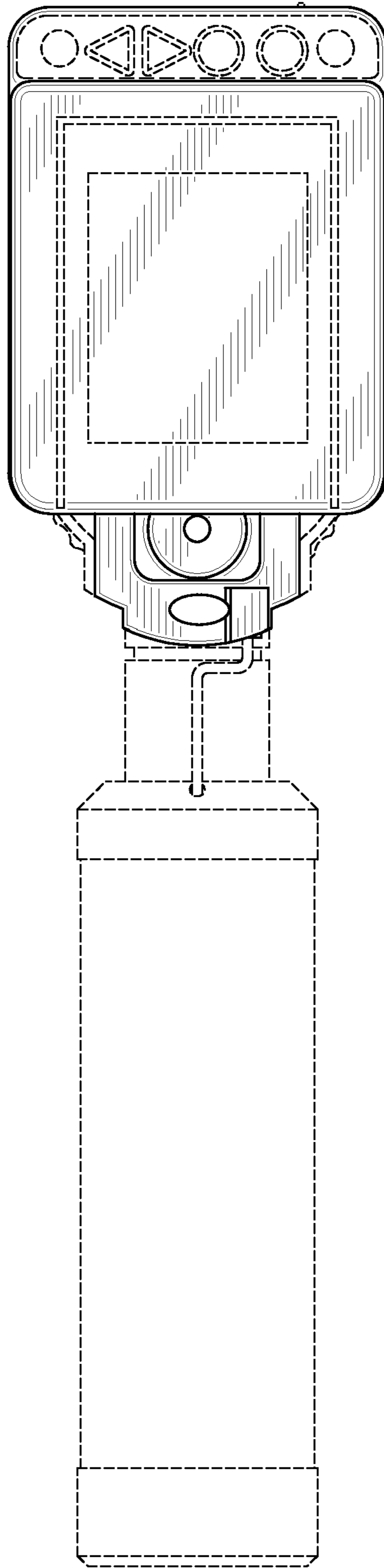


FIG. 4

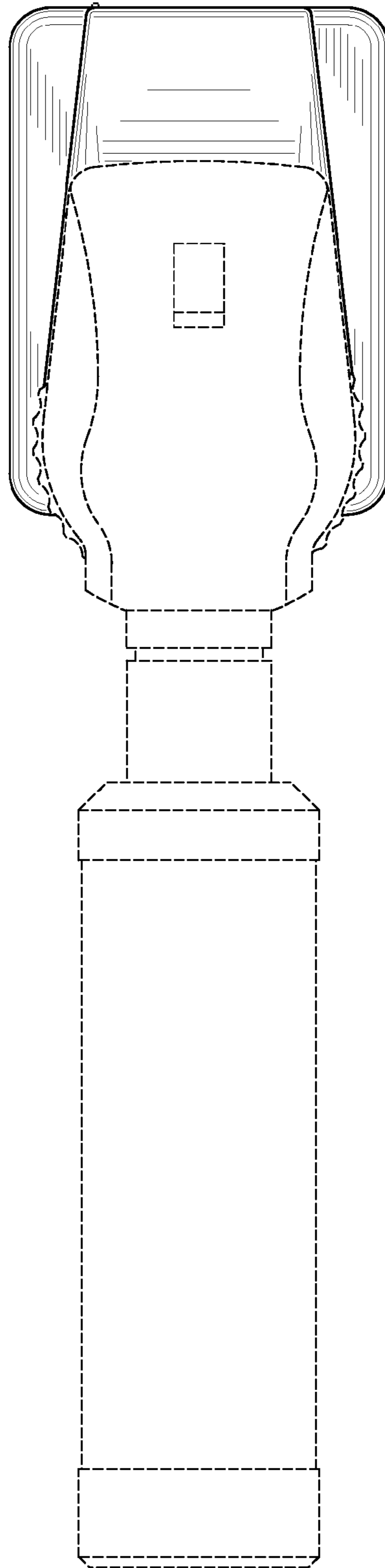


FIG. 5

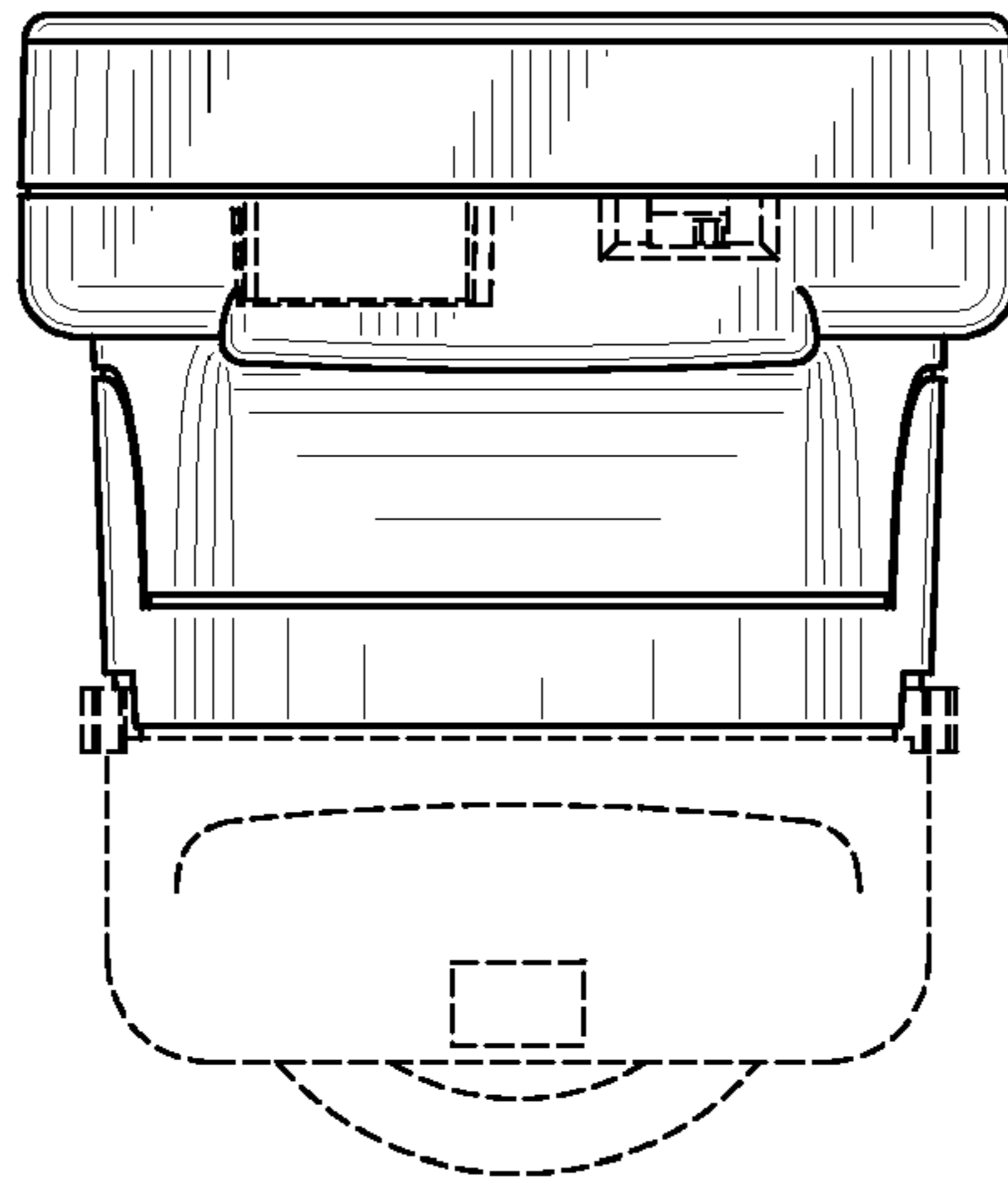


FIG. 6

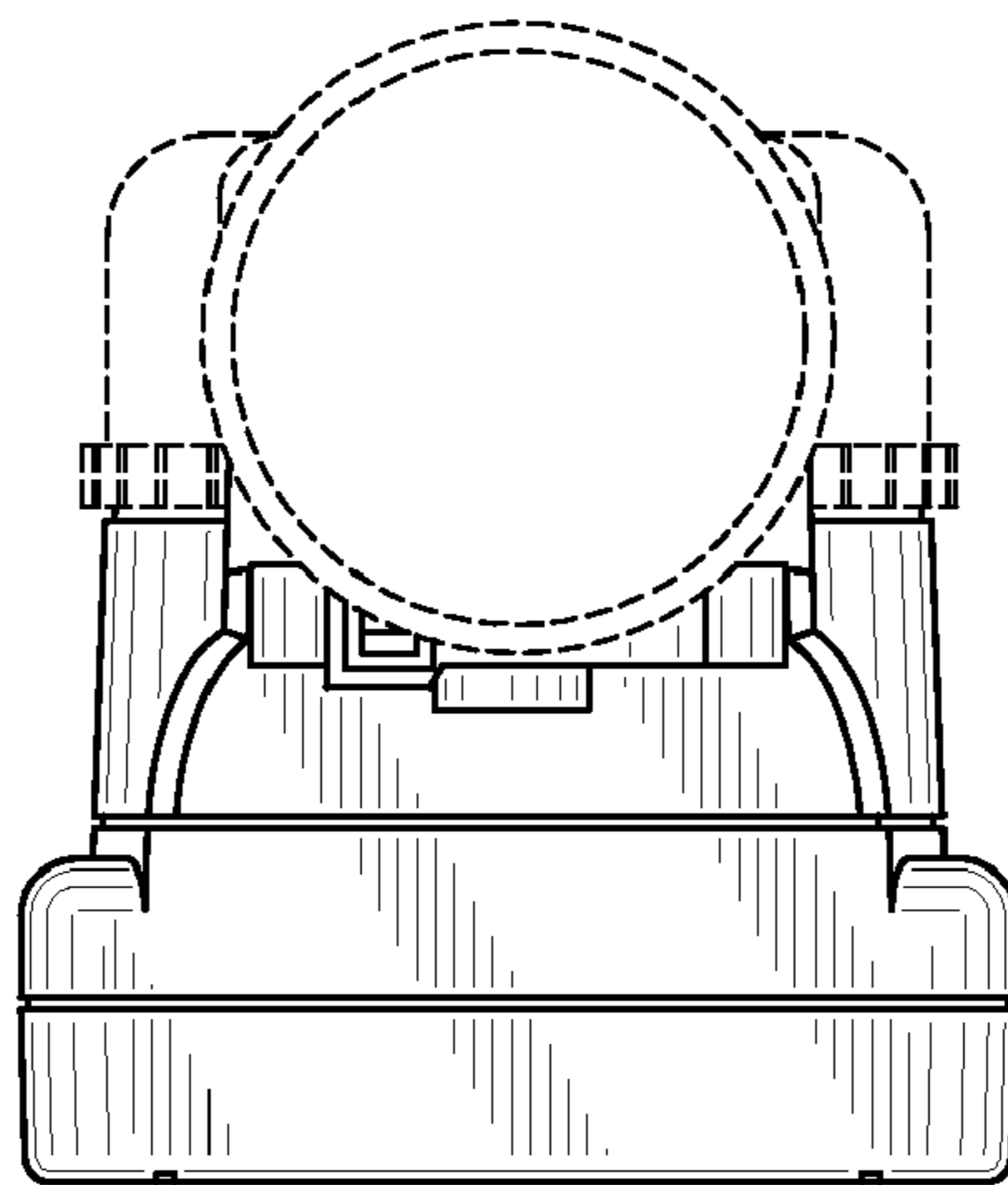


FIG. 7

UNITED STATES PATENT AND TRADEMARK OFFICE  
**CERTIFICATE OF CORRECTION**

PATENT NO. : Des. 619,708 S  
APPLICATION NO. : 29/337776  
DATED : July 13, 2010  
INVENTOR(S) : Marc Ellman

Page 1 of 1

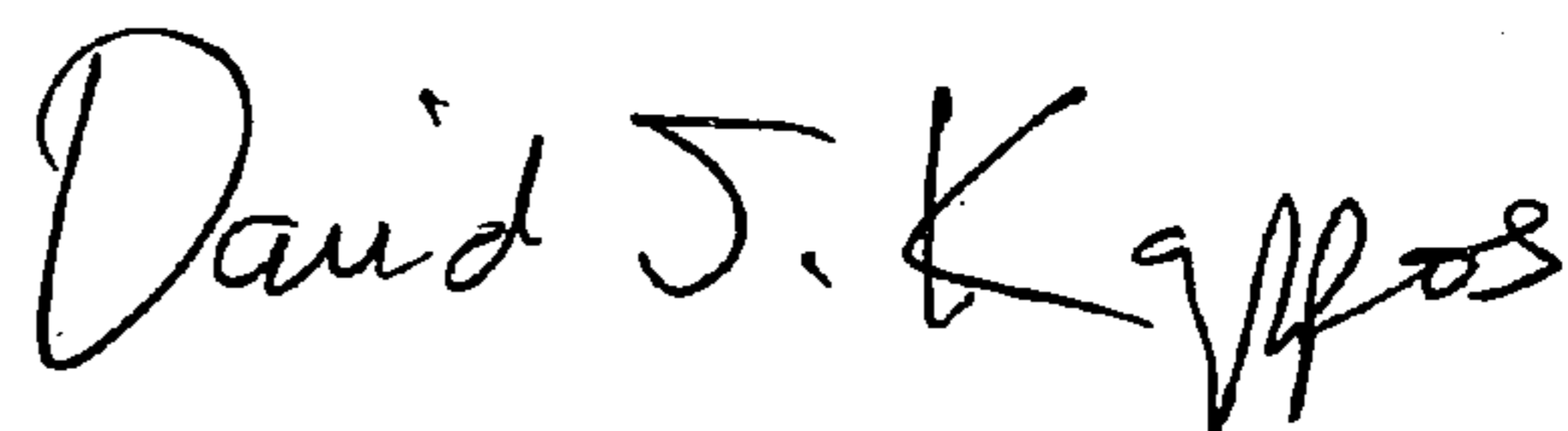
It is certified that error appears in the above-identified patent and that said Letters Patent is hereby corrected as shown below:

On the Title Page Item (76), under the heading "Inventor" should read:

Marc Ellman, 1400 Common Dr., El Paso, TX (US) 79936

Signed and Sealed this

Fifth Day of October, 2010

A handwritten signature in black ink that reads "David J. Kappos". The signature is written in a cursive, flowing style.

David J. Kappos  
*Director of the United States Patent and Trademark Office*