



US00D619706S

(12) **United States Design Patent**
Schon et al.

(10) **Patent No.:** **US D619,706 S**
(45) **Date of Patent:** **** Jul. 13, 2010**

(54) **PNEUMATIC CONNECTOR**

(75) Inventors: **Peter B. Schon**, New York, NY (US);
Carl Joakim Gabrielsson, Täby (SE)

(73) Assignee: **Artema Medical AB**, Sundbyberg (SE)

(**) Term: **14 Years**

(21) Appl. No.: **29/336,809**

(22) Filed: **May 8, 2009**

(30) **Foreign Application Priority Data**

Nov. 11, 2008 (EM) 001036933-0001

(51) **LOC (9) Cl.** **24-02**

(52) **U.S. Cl.** **D24/129**

(58) **Field of Classification Search** D24/110,
D24/110.6, 129; 128/205.11, 204.25, 203.12,
128/203.21, 203.25, 203.14, 203.27, 204.18,
128/204.14

See application file for complete search history.

(56) **References Cited**

U.S. PATENT DOCUMENTS

3,944,261 A * 3/1976 Reed et al. 285/21.2
D243,635 S * 3/1977 Miller D24/129
D303,586 S * 9/1989 Rudolph et al. D24/110.6
D357,736 S * 4/1995 Dye D24/129
D363,988 S * 11/1995 Dye D24/129
D364,459 S * 11/1995 Dye D24/129
D364,680 S * 11/1995 Dye D24/129
D369,664 S * 5/1996 Dye D24/129
D373,191 S * 8/1996 Ribando et al. D24/129

D373,192 S * 8/1996 Murphy et al. D24/129
D595,845 S * 7/2009 Mros et al. D24/129
2009/0133697 A1 * 5/2009 Kwok et al. 128/205.25
2009/0260629 A1 * 10/2009 Yee et al. 128/204.18

* cited by examiner

Primary Examiner—T. Chase Nelson

Assistant Examiner—Eric L Goodman

(74) *Attorney, Agent, or Firm*—Kory D. Christensen; Steel Rives LLP

(57) **CLAIM**

The ornamental design for a pneumatic connector, as shown and described.

DESCRIPTION

FIG. 1 is a front perspective view of a pneumatic connector, showing our new design;

FIG. 2 is a back perspective view thereof;

FIG. 3 is a right side elevation view thereof;

FIG. 4 is a left side elevation view thereof;

FIG. 5 is a front elevation view thereof;

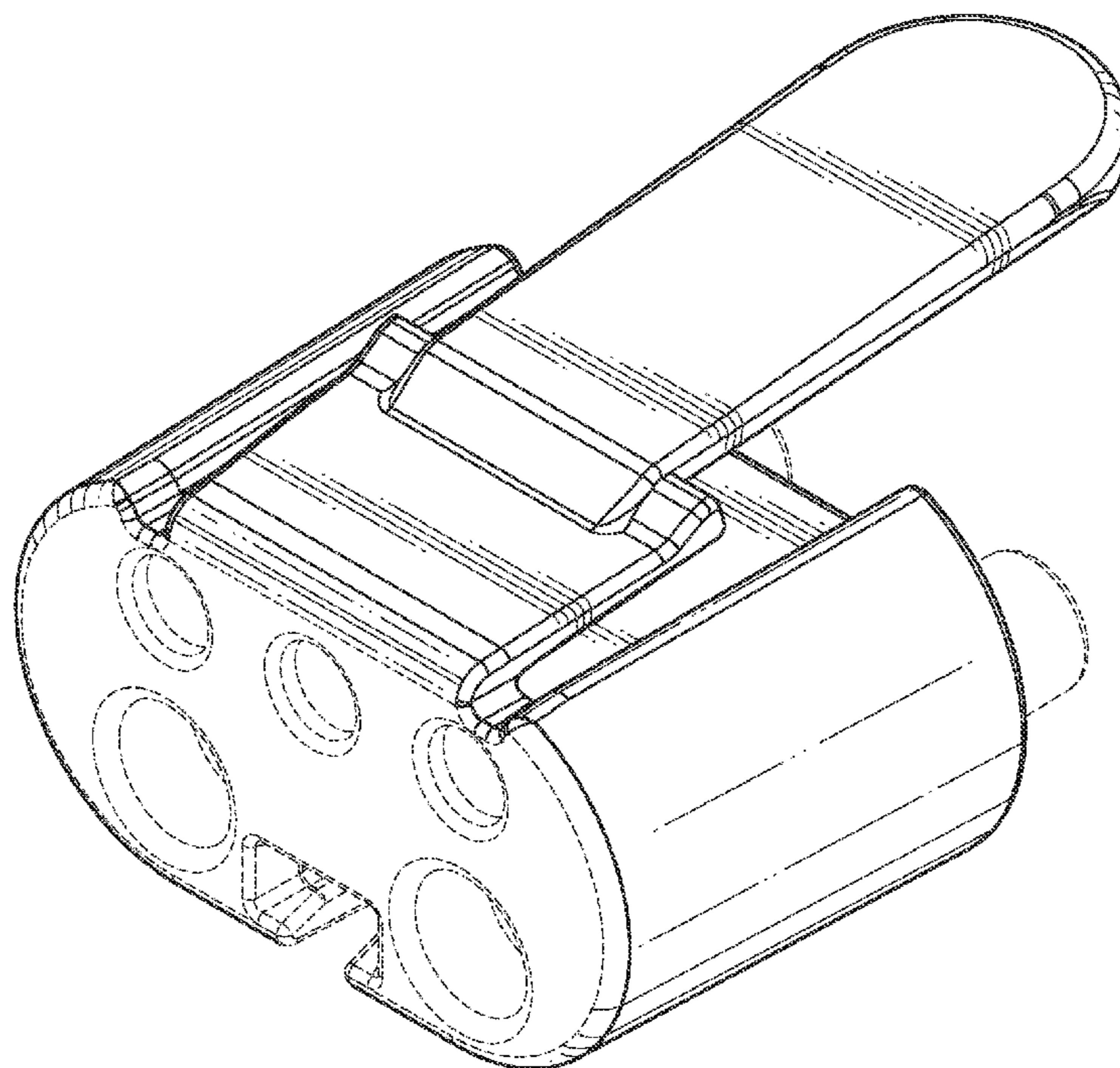
FIG. 6 is a back elevation view thereof;

FIG. 7 is a bottom plan view thereof; and,

FIG. 8 is a top plan view thereof.

The broken lines immediately adjacent the shaded areas represent the bounds of the claimed design, while all other broken lines are directed to environment and are for illustrative purposes only; the broken lines form no part of the claimed design.

1 Claim, 5 Drawing Sheets



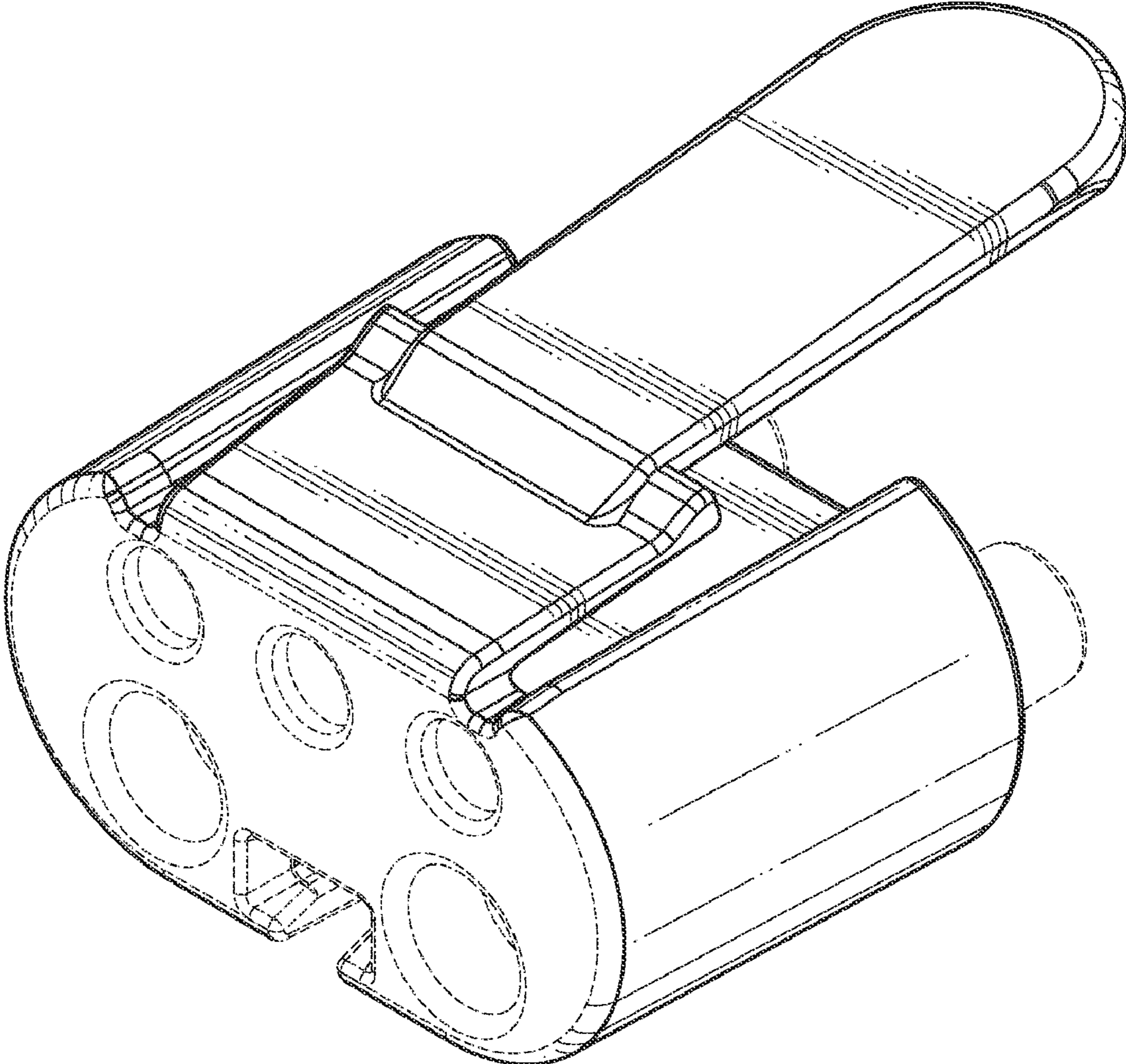


FIG. 1

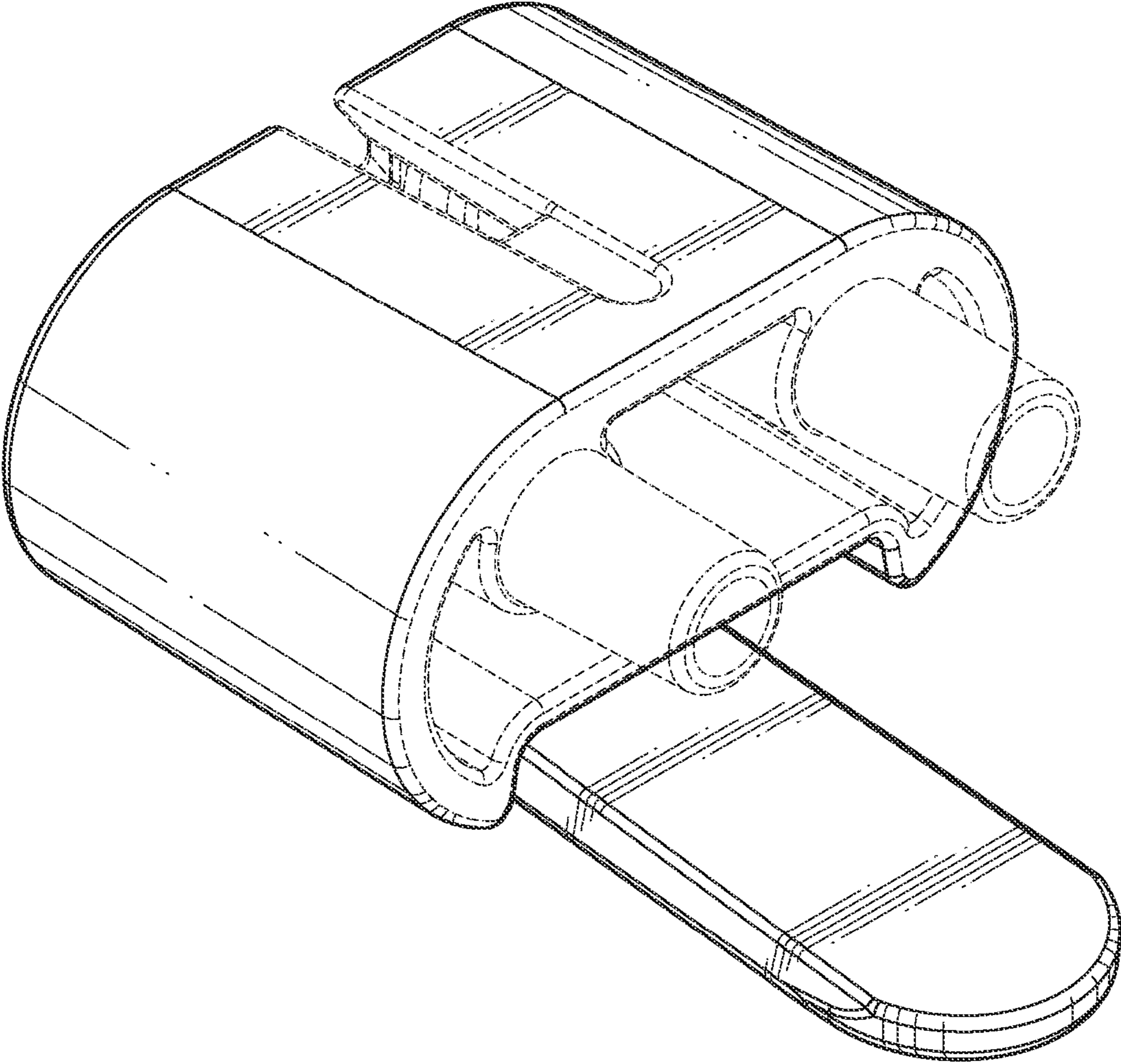


FIG. 2

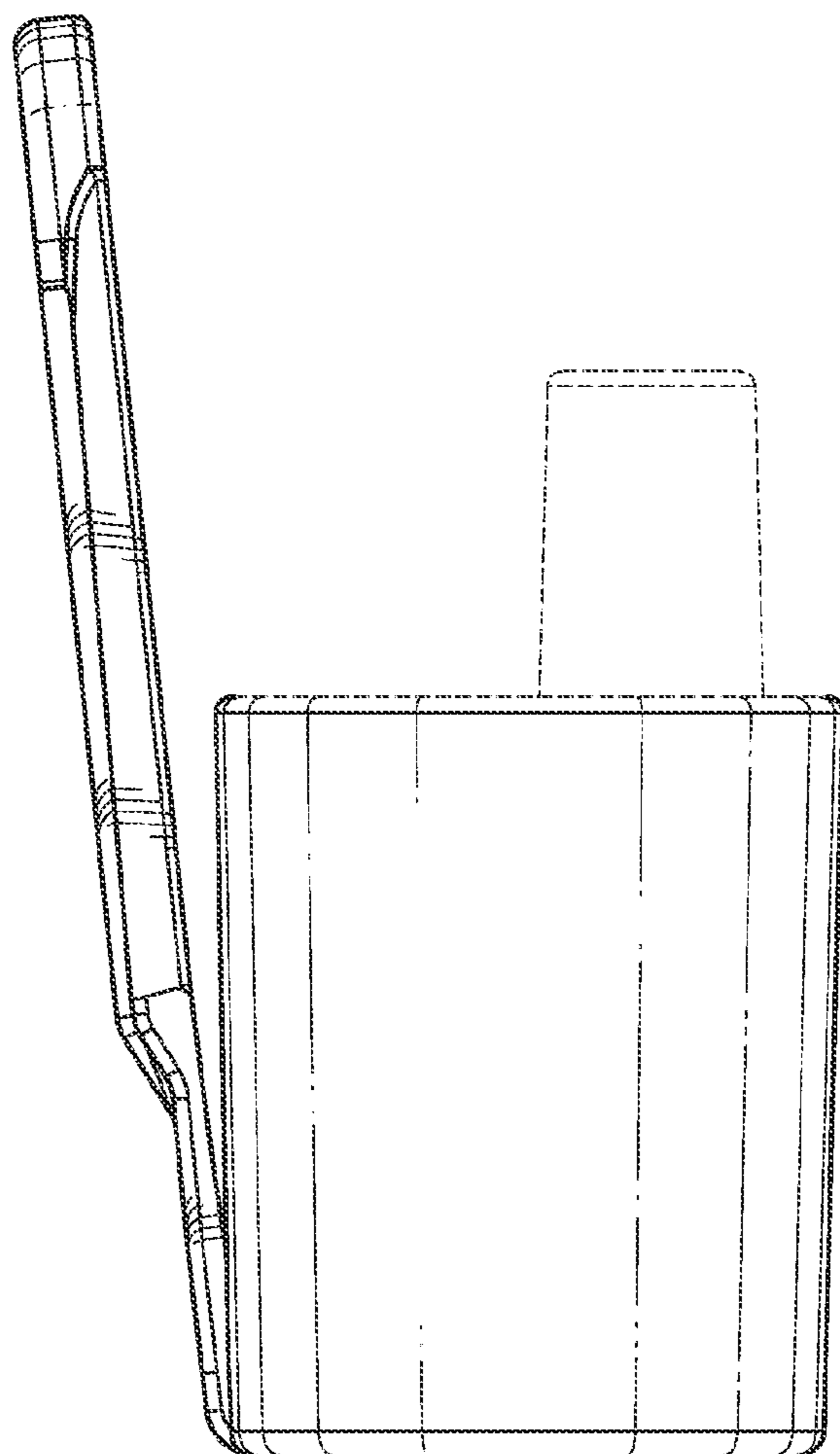


FIG. 3

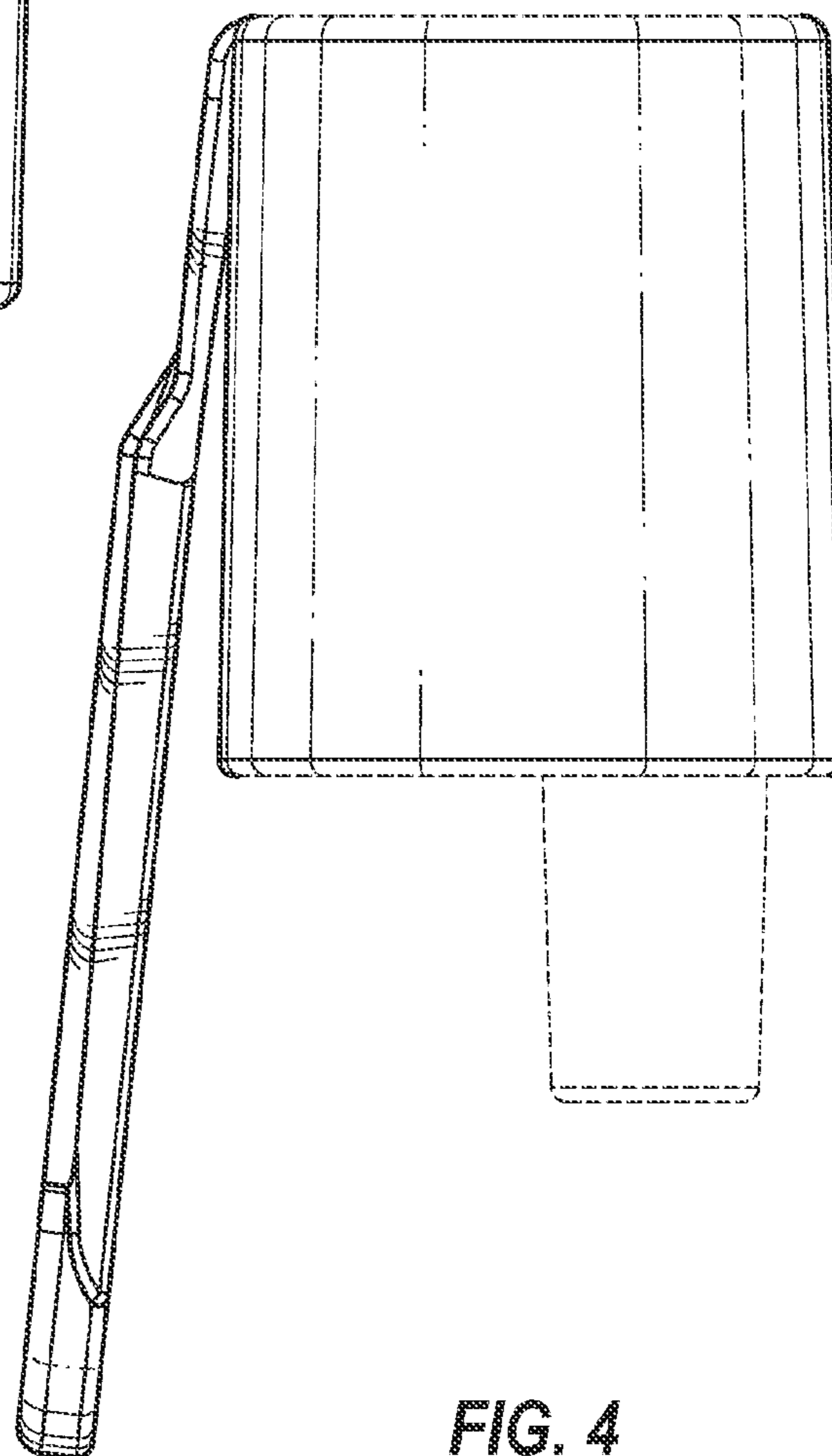


FIG. 4

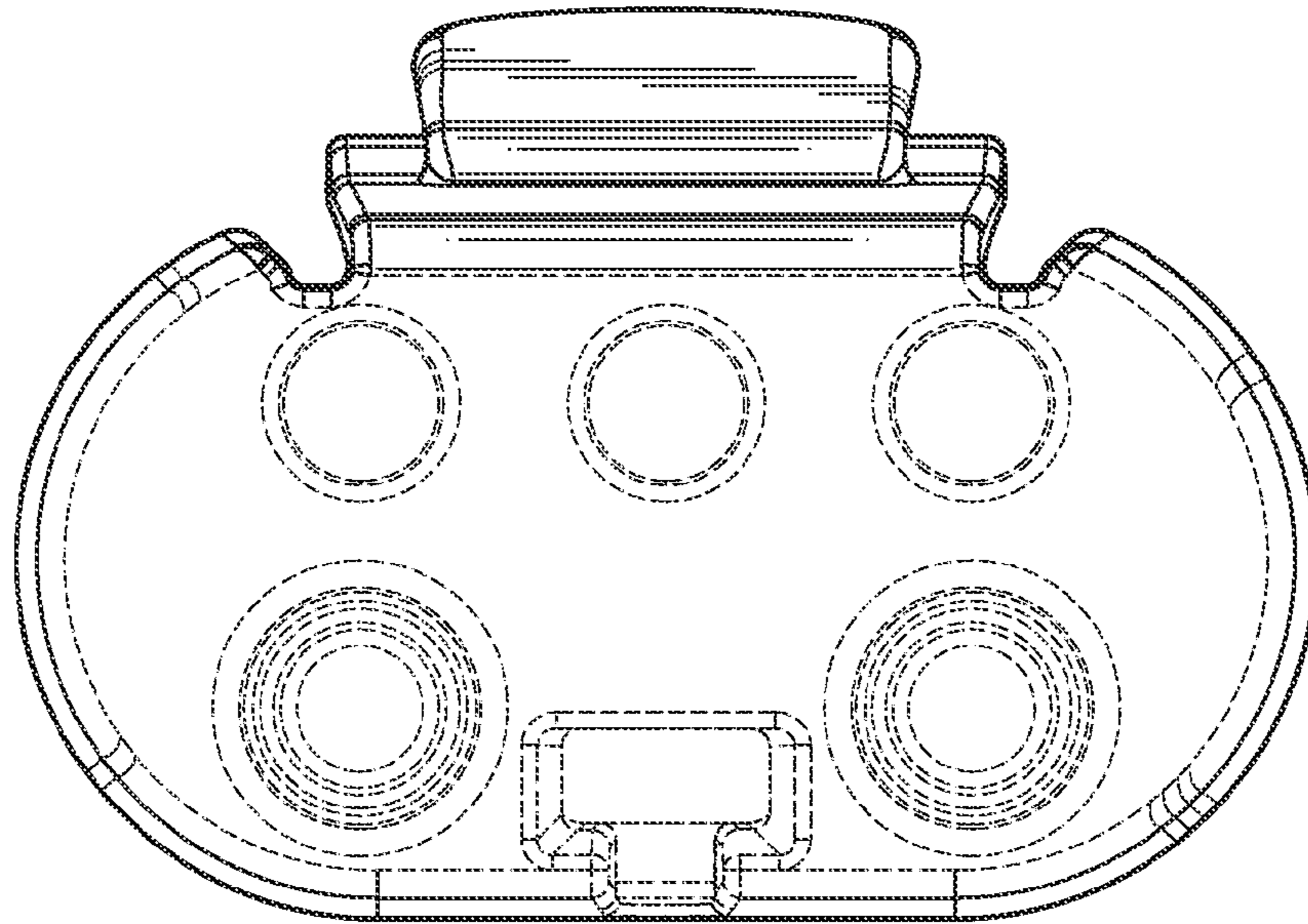


FIG. 5

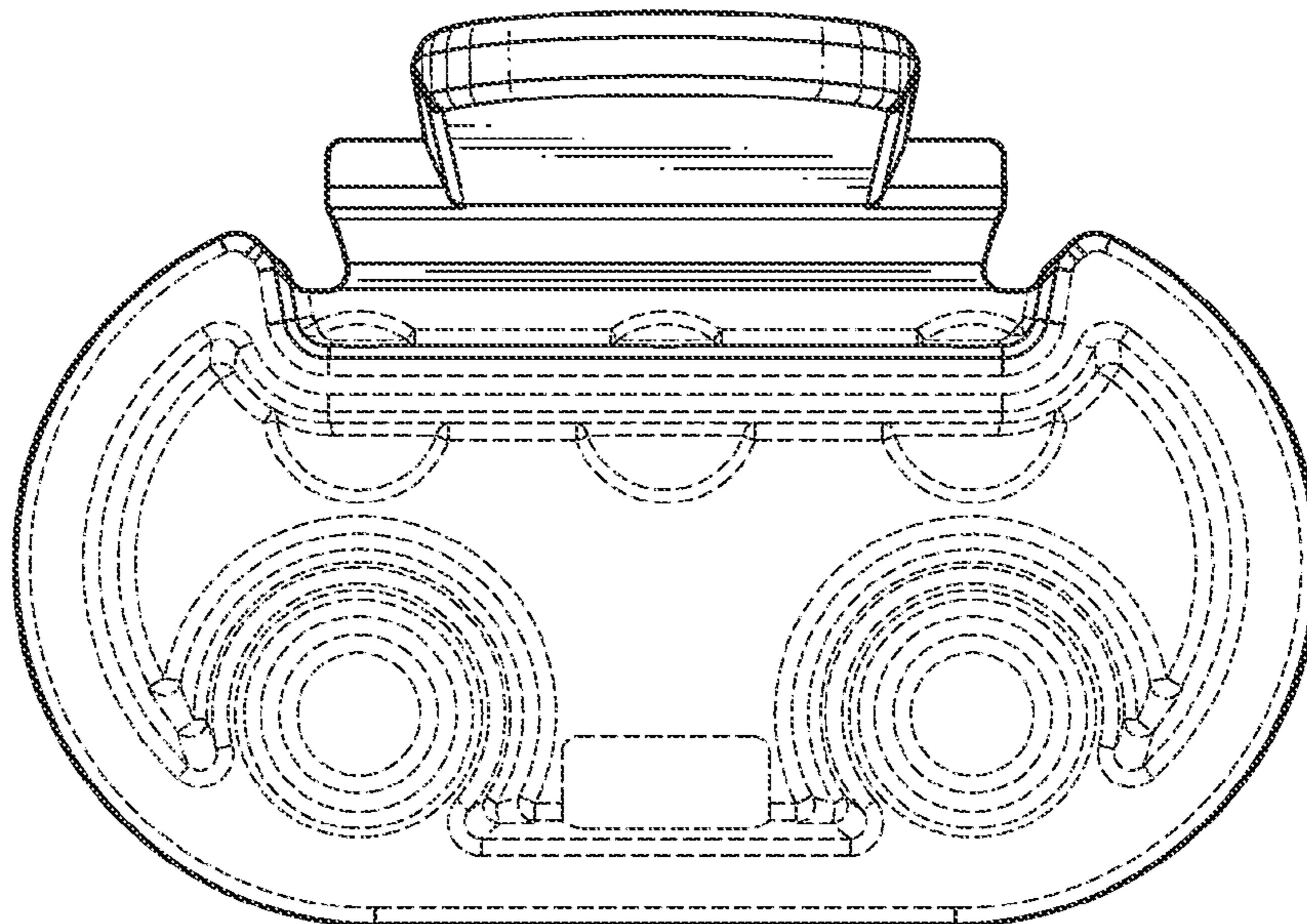


FIG. 6

FIG. 7

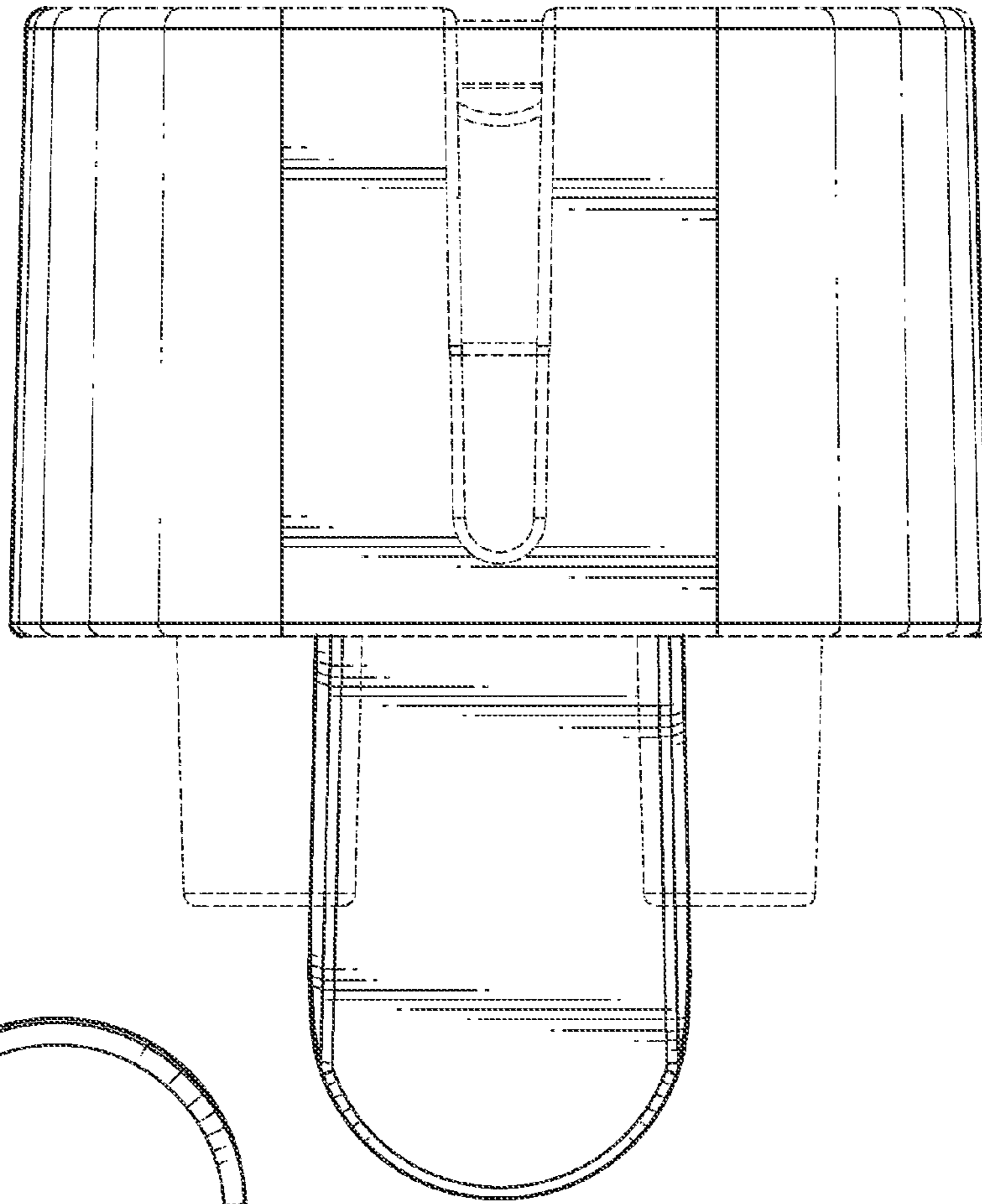


FIG. 8

