



US00D619705S

(12) **United States Design Patent**  
**Foy et al.**

(10) **Patent No.:** **US D619,705 S**  
(45) **Date of Patent:** **\*\* Jul. 13, 2010**

(54) **TAPE AND SCISSORS HOLDER**

2005/0126938 A1\* 6/2005 Uehata ..... 206/305

(76) Inventors: **Dale Anthony Foy**, 32813 Popham La.,  
Solon, OH (US) 44139; **Tod L. Foy**, 682  
Calann Dr., Elyria, OH (US) 44035

\* cited by examiner

*Primary Examiner*—T. Chase Nelson  
*Assistant Examiner*—Eric L Goodman

(\*\*) Term: **14 Years**

(74) *Attorney, Agent, or Firm*—Calfee, Halter & Griswold  
LLP

(21) Appl. No.: **29/330,882**

(57) **CLAIM**

(22) Filed: **Jan. 15, 2009**

We claim the ornamental design for a tape and scissors holder,  
as shown and described.

(51) **LOC (9) Cl.** ..... **24-02**

(52) **U.S. Cl.** ..... **D24/128**

(58) **Field of Classification Search** ..... D24/127–128;  
206/305, 363, 364, 365, 370, 438, 476, 571;  
248/309.1, 314

**DESCRIPTION**

See application file for complete search history.

FIG. 1 is a top perspective view of a tape and scissors holder  
of the new design;

(56) **References Cited**

FIG. 2 is a rear perspective view of the tape and scissors  
holder of FIG. 1;

**U.S. PATENT DOCUMENTS**

FIG. 3 is a front elevational view of the tape and scissors  
holder of FIG. 1;

4,142,632	A *	3/1979	Sandel	.....	206/363
D263,745	S *	4/1982	Sandel	.....	D24/133
D264,157	S *	5/1982	Karsikas	.....	D6/465
4,385,692	A *	5/1983	Eldridge, Jr.	.....	206/363
4,506,787	A *	3/1985	Bruso	.....	206/363
5,409,107	A *	4/1995	Browne	.....	206/305
D425,353	S *	5/2000	Foy	.....	D6/567
6,230,888	B1 *	5/2001	Frieze et al.	.....	206/370
6,308,875	B1 *	10/2001	Almo	.....	224/660
7,066,328	B2 *	6/2006	Pulsifer	.....	206/363
D541,933	S *	5/2007	White et al.	.....	D24/128
D547,863	S *	7/2007	Heinsch	.....	D24/128
D576,275	S *	9/2008	White et al.	.....	D24/128
D578,642	S *	10/2008	White et al.	.....	D24/128
D611,142	S *	3/2010	Melder	.....	D24/137
2005/0040066	A1 *	2/2005	Pulsifer	.....	206/438

FIG. 4 is a back elevational view of the tape and scissors  
holder of FIG. 1;

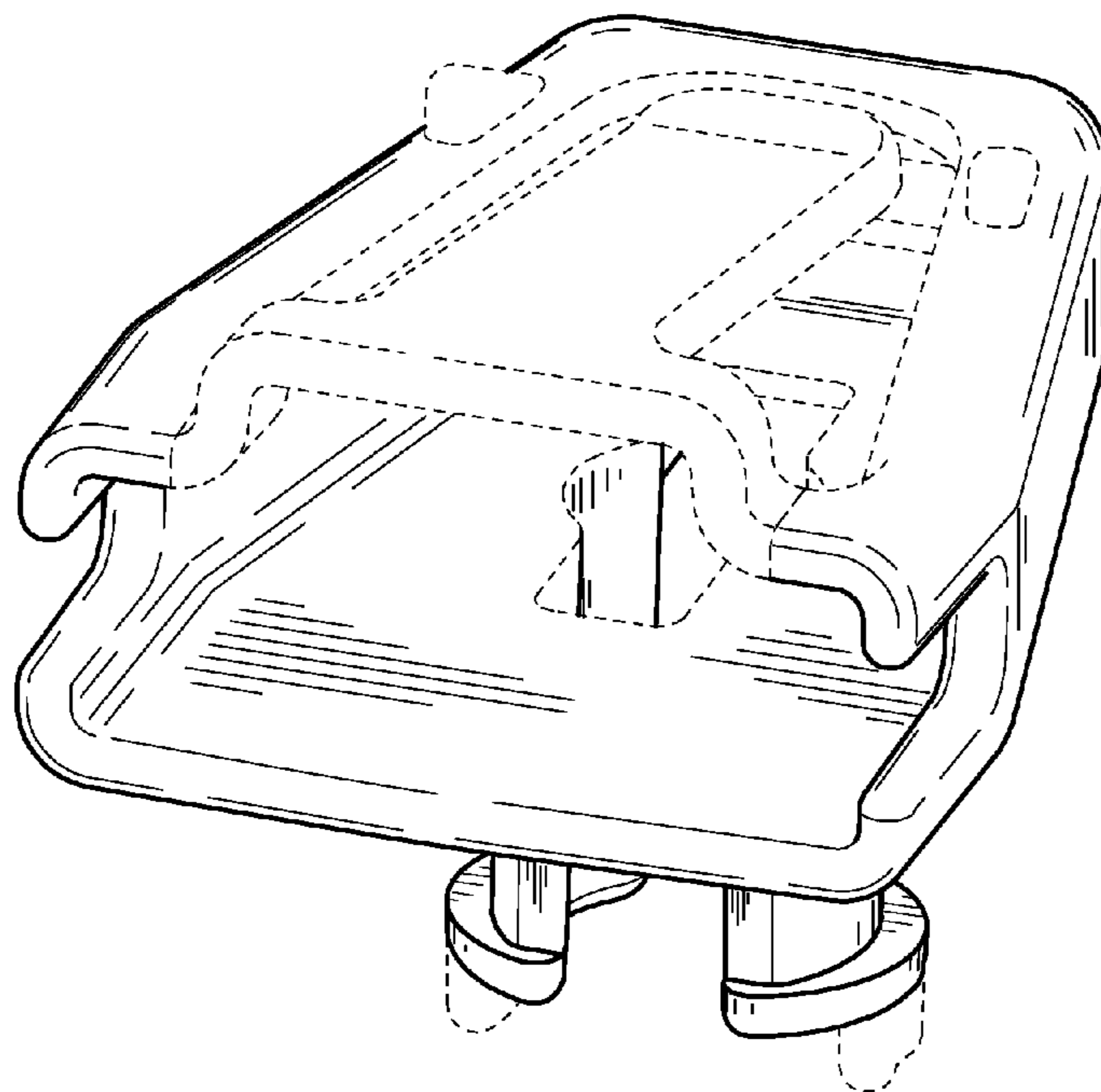
FIG. 5 is a top plan view of the tape and scissors holder of  
FIG. 1;

FIG. 6 is a bottom plan view of the tape and scissors holder of  
FIG. 1; and,

FIG. 7 is a left side elevational view of the tape and scissors  
holder of FIG. 1, the right side elevational view being a mirror  
image thereof.

The portions of the Figures shown in broken lines are for  
illustration only and form no part of the claimed design.

**1 Claim, 4 Drawing Sheets**



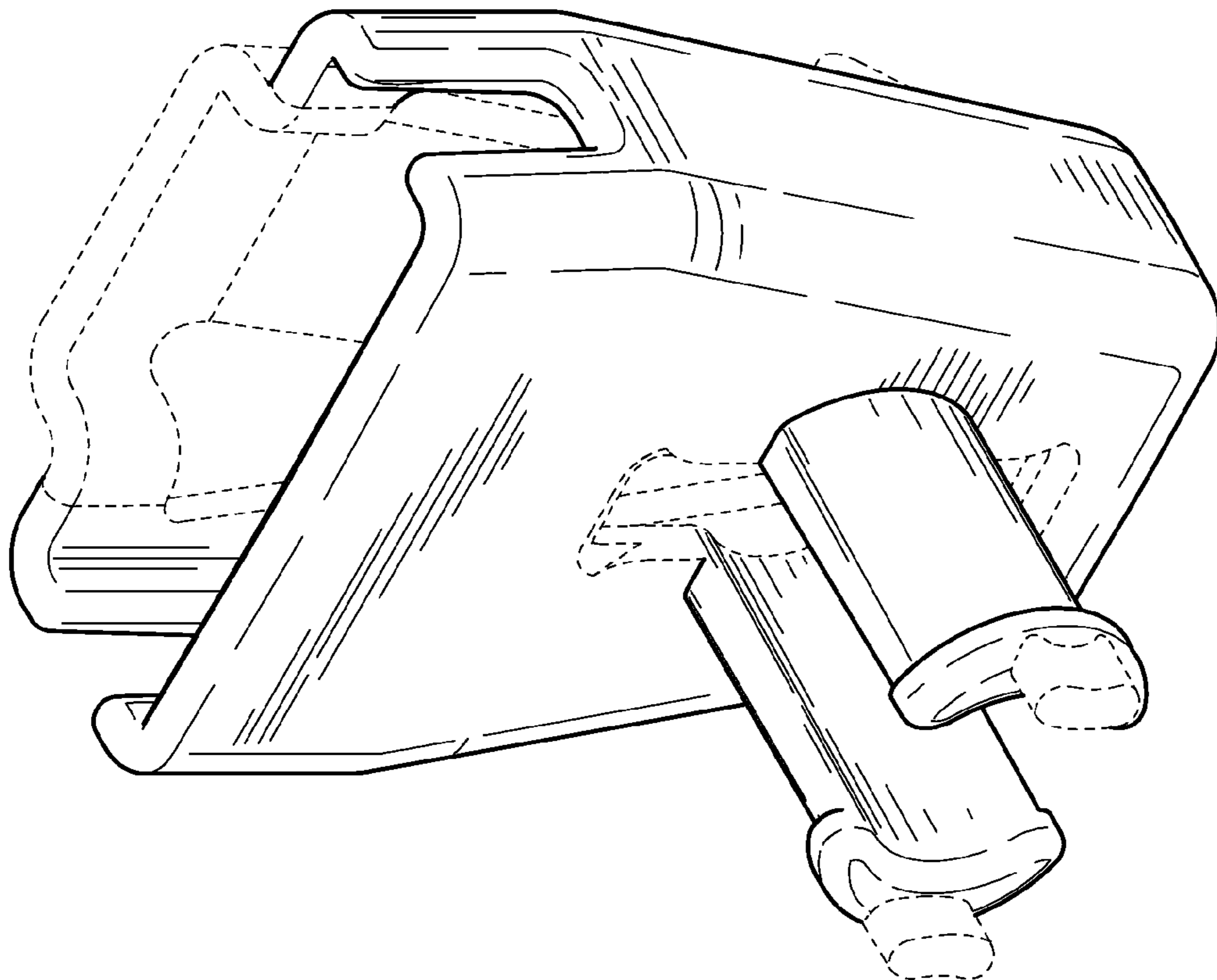


Fig. 2

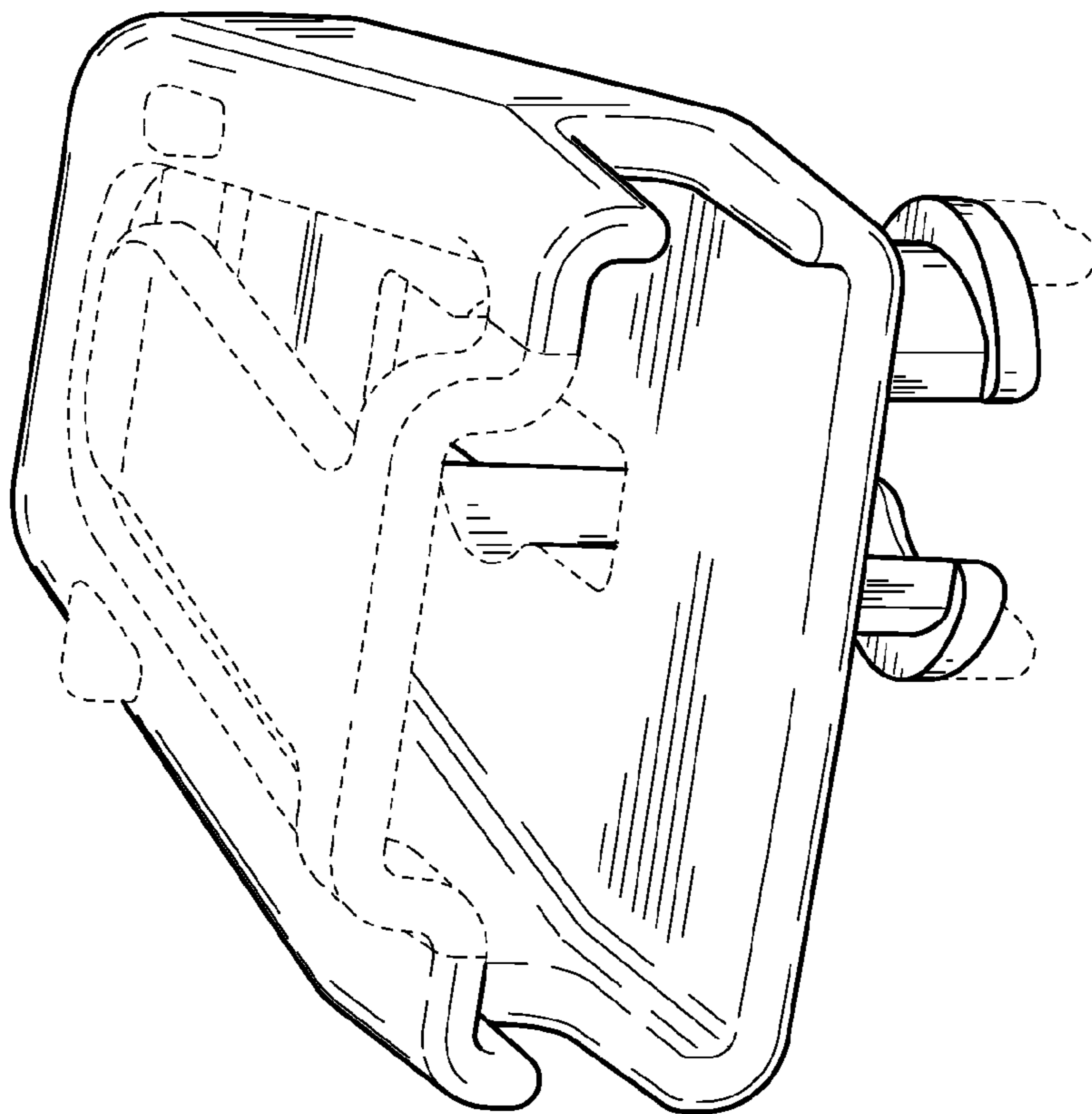


Fig. 1

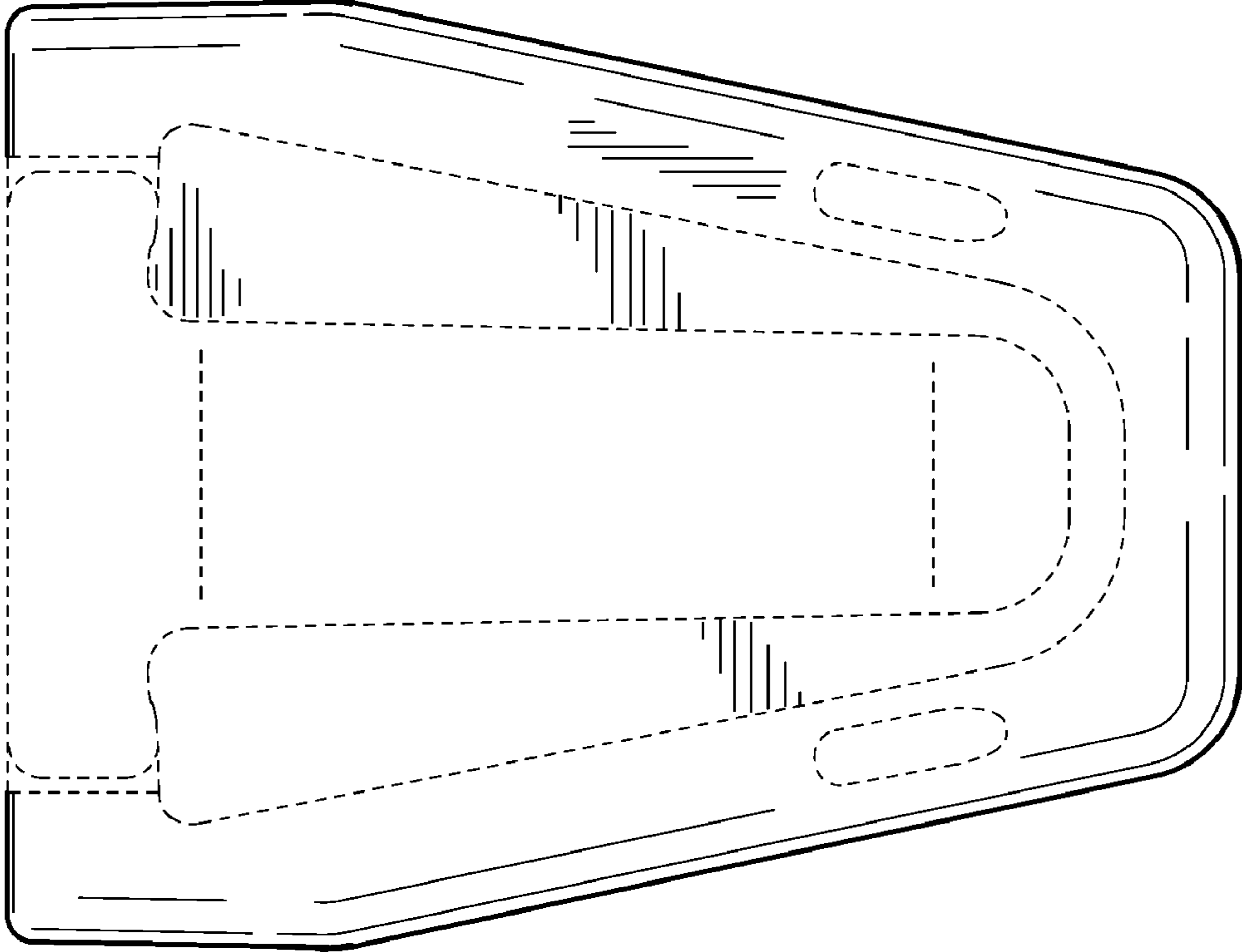


Fig. 3

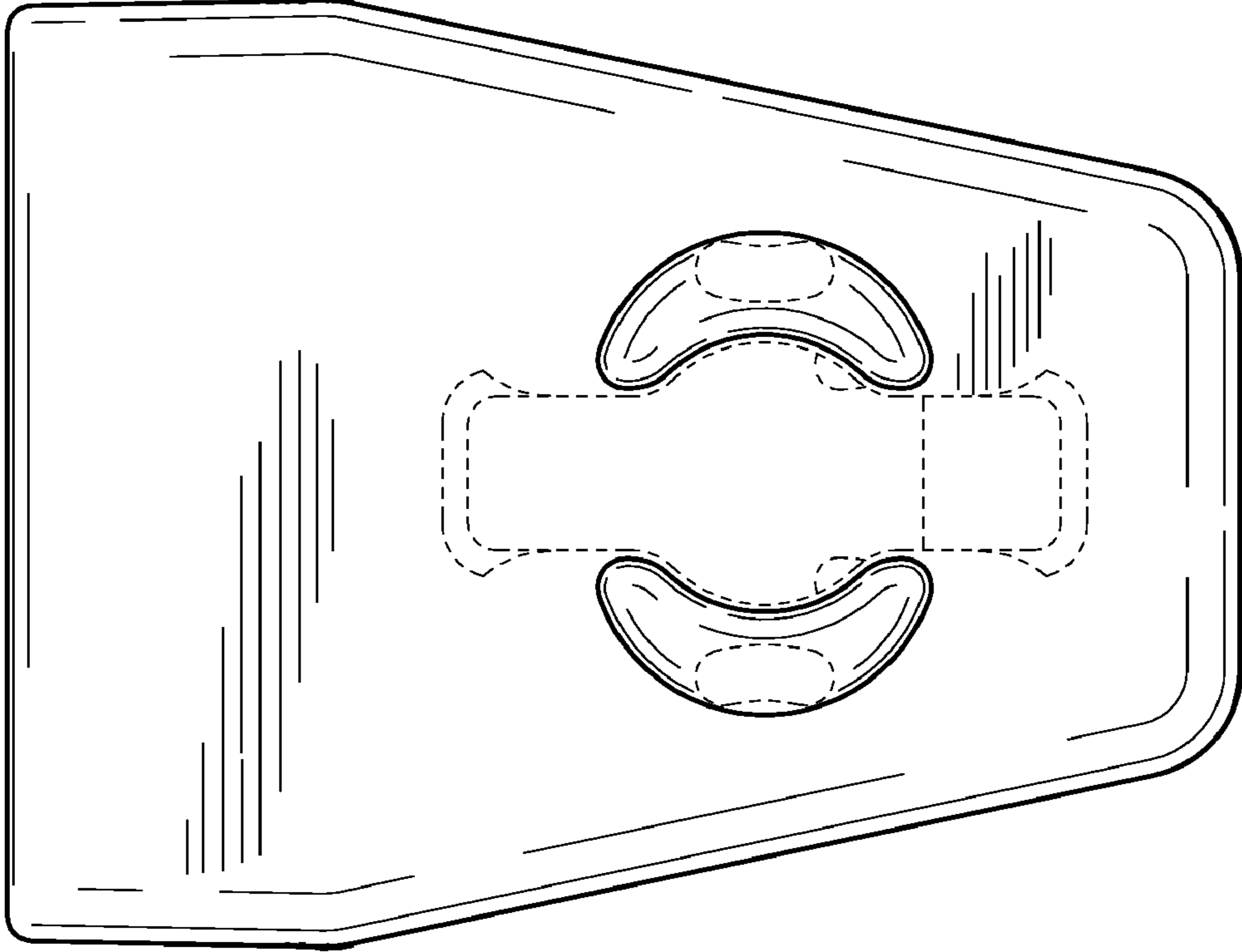


Fig. 4

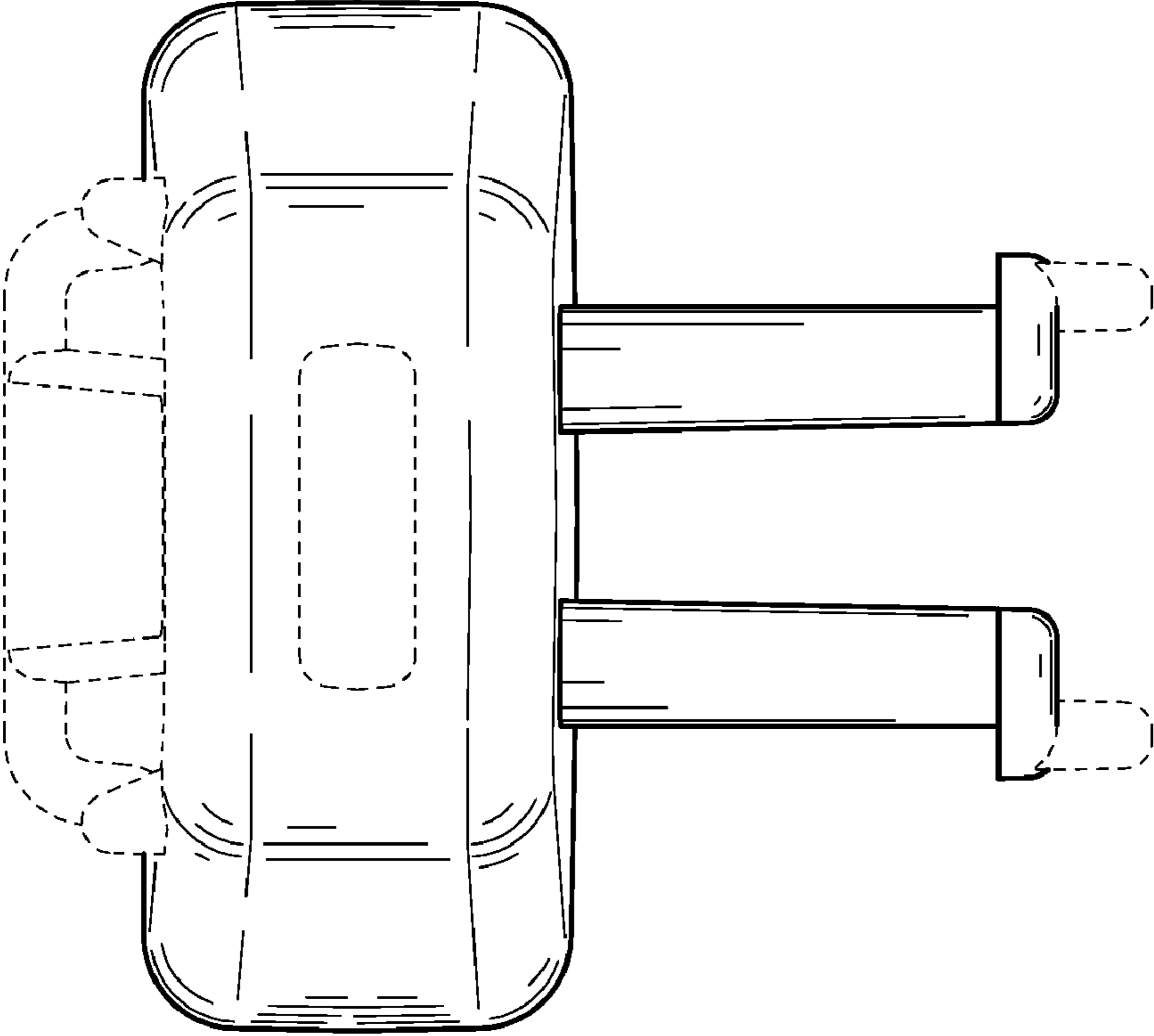


Fig. 5

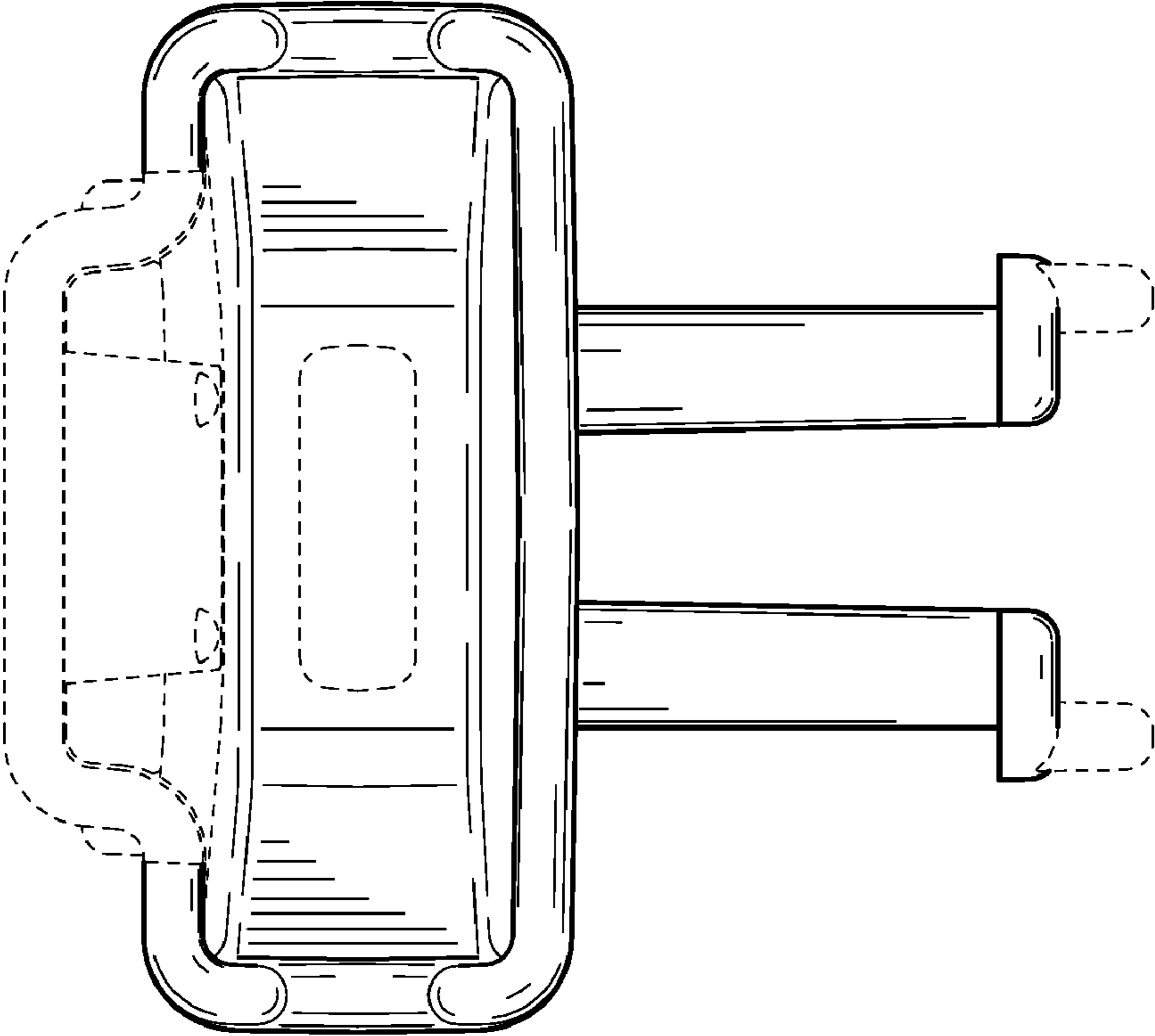


Fig. 6

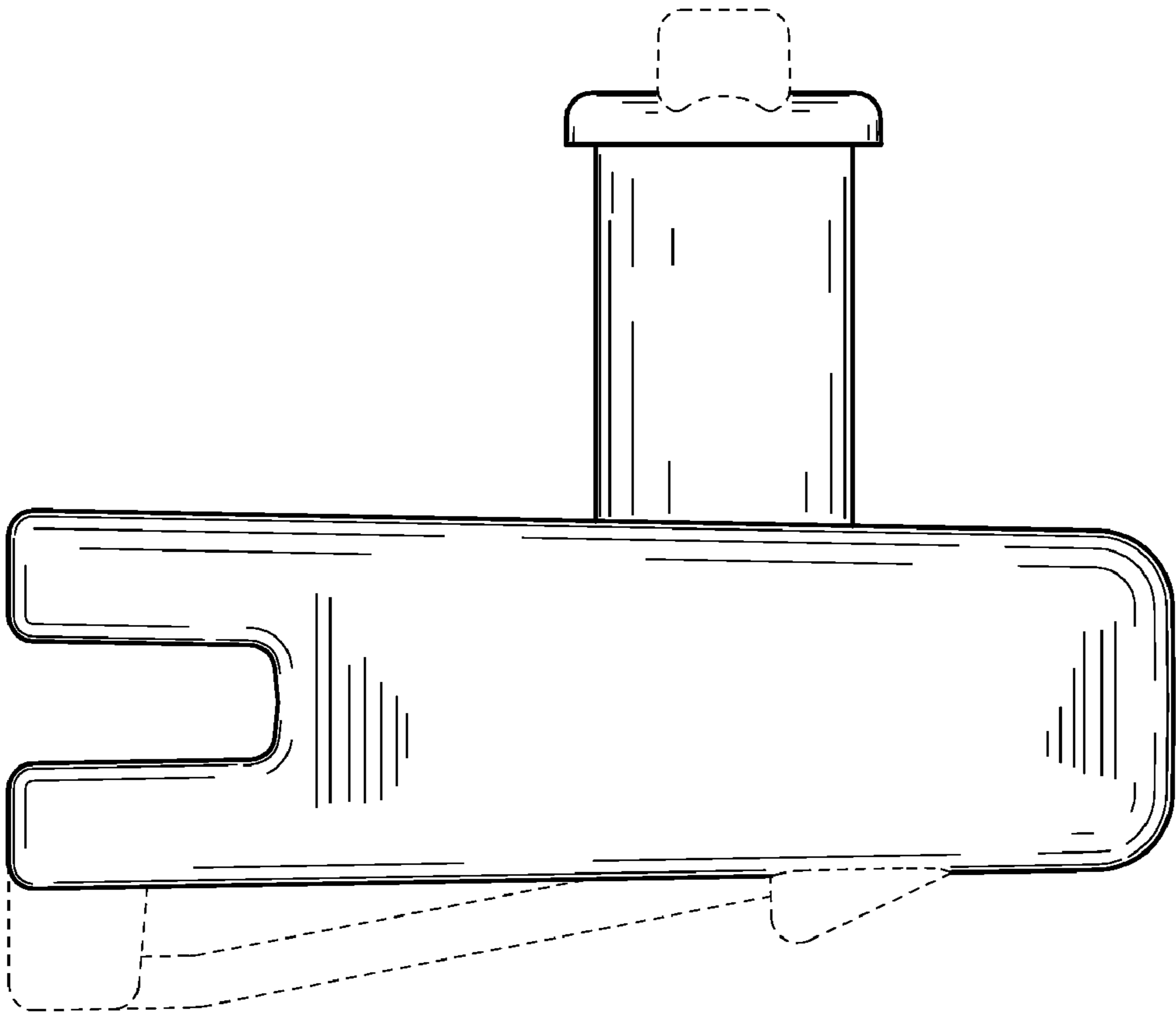


Fig. 7