



US00D619701S

(12) **United States Design Patent**
Edwards et al.

(10) **Patent No.:** **US D619,701 S**
(45) **Date of Patent:** **** Jul. 13, 2010**

(54) **RESPIRATORY MASK**

(75) Inventors: **Craig David Edwards**, Annandale (AU);
Luke Maguire, Stanmore (AU); **Michiel Kooij**, Camperdown (AU)

(73) Assignee: **ResMed Limited**, Bella Vista (AU)

(**) Term: **14 Years**

(21) Appl. No.: **29/257,532**

(22) Filed: **Apr. 6, 2006**

(51) **LOC (9) Cl.** **29-02**

(52) **U.S. Cl.** **D24/110.1**

(58) **Field of Classification Search** D24/110.1,
D24/110.4, 110.5; 128/204.23, 205.25, 200.24,
128/206.12, 206.11, 206.21, 207.13, 207.18
See application file for complete search history.

(56) **References Cited**

U.S. PATENT DOCUMENTS

D428,139 S	7/2000	Smart	
D428,988 S	8/2000	Smart	
D443,355 S	6/2001	Gunaratnam et al.	
6,374,826 B1	4/2002	Gunaratnam et al.	
D459,800 S	7/2002	Smart	
D464,728 S	10/2002	Paul	
6,467,483 B1	10/2002	Kopacko	
6,513,526 B2	2/2003	Kwok	
D476,732 S	7/2003	Smart	
6,584,977 B1	7/2003	Serowski	
D486,907 S	2/2004	Guney et al.	
6,691,707 B1	2/2004	Gunaratnam	
D495,797 S	9/2004	Guney et al.	
D498,530 S	11/2004	Smart	
6,851,425 B2	2/2005	Jaffre et al.	
D506,827 S *	6/2005	Jones et al.	D24/110.1
D515,204 S	2/2006	Guney et al.	
D534,274 S *	12/2006	Smart	D24/110.1

D535,023 S	1/2007	Smart et al.	
D537,523 S	2/2007	Dantanarayana et al.	
D539,418 S *	3/2007	Jones et al.	D24/110.1
D549,322 S *	8/2007	Stallard et al.	D24/110.1
D557,408 S *	12/2007	Amarasinghe et al. ..	D24/110.1
D557,411 S	12/2007	Smart et al.	
D560,796 S *	1/2008	Jones et al.	D24/110.1
D576,270 S *	9/2008	Gunaratnam	D24/110.1
D576,271 S *	9/2008	Gunaratnam et al.	D24/110.1
2003/0196657 A1	10/2003	Ging	

OTHER PUBLICATIONS

U.S. Appl. No. 29/220,931, filed May 2004, Dantanarayana et al.
Smart et al., U.S. Appl. No. 29/292,783, filed Oct. 29, 2007.
Smart et al., U.S. Appl. No. 29/267,092, filed Oct. 5, 2006.
Dantanarayana et al., U.S. Appl. No. 29/269,688, filed Dec. 7, 2006.

* cited by examiner

Primary Examiner—Ian Simmons

Assistant Examiner—Christopher Lee

(74) *Attorney, Agent, or Firm*—Nixon & Vanderhye P.C.

(57) **CLAIM**

The ornamental design for a respiratory mask, as shown.

DESCRIPTION

FIG. 1 is a front perspective view of a respiratory mask according to our new design;

FIG. 2 is a reverse perspective view thereof;

FIG. 3 is a front view thereof;

FIG. 4 is a rear view thereof;

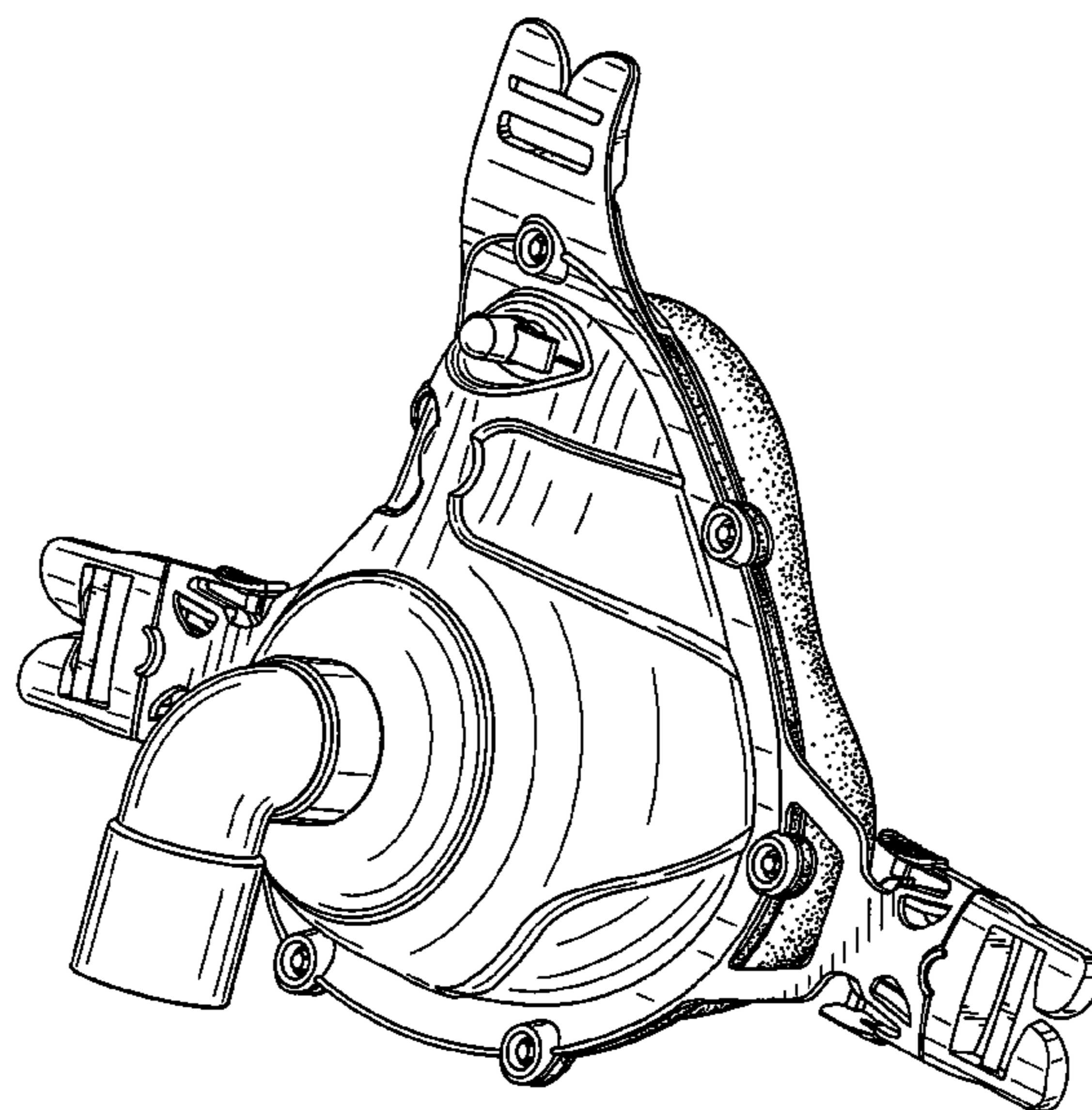
FIG. 5 is a top view thereof;

FIG. 6 is a bottom view thereof;

FIG. 7 is a right side view thereof; and,

FIG. 8 is a left side view thereof.

1 Claim, 6 Drawing Sheets



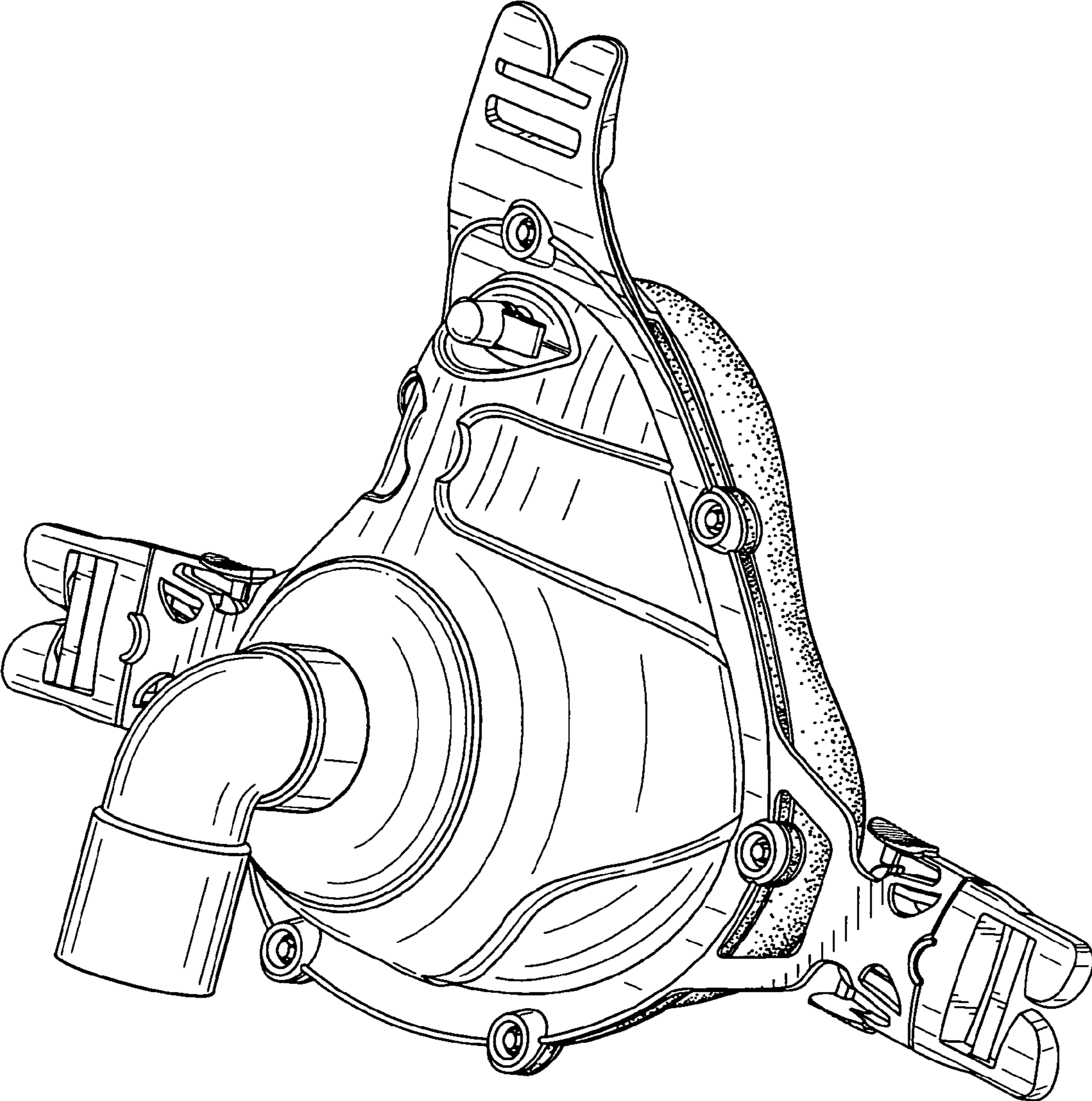


Fig. 1

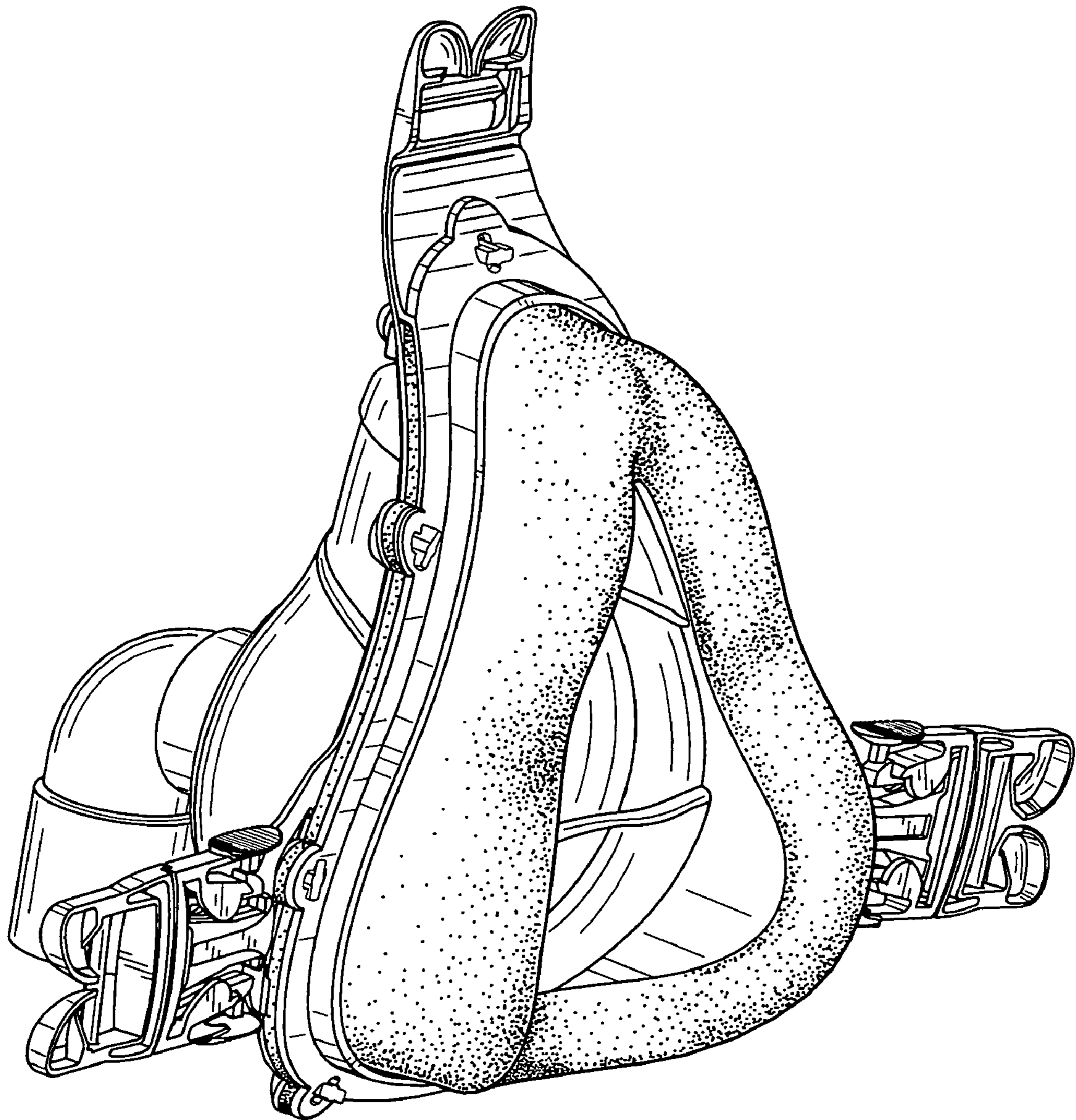


Fig. 2

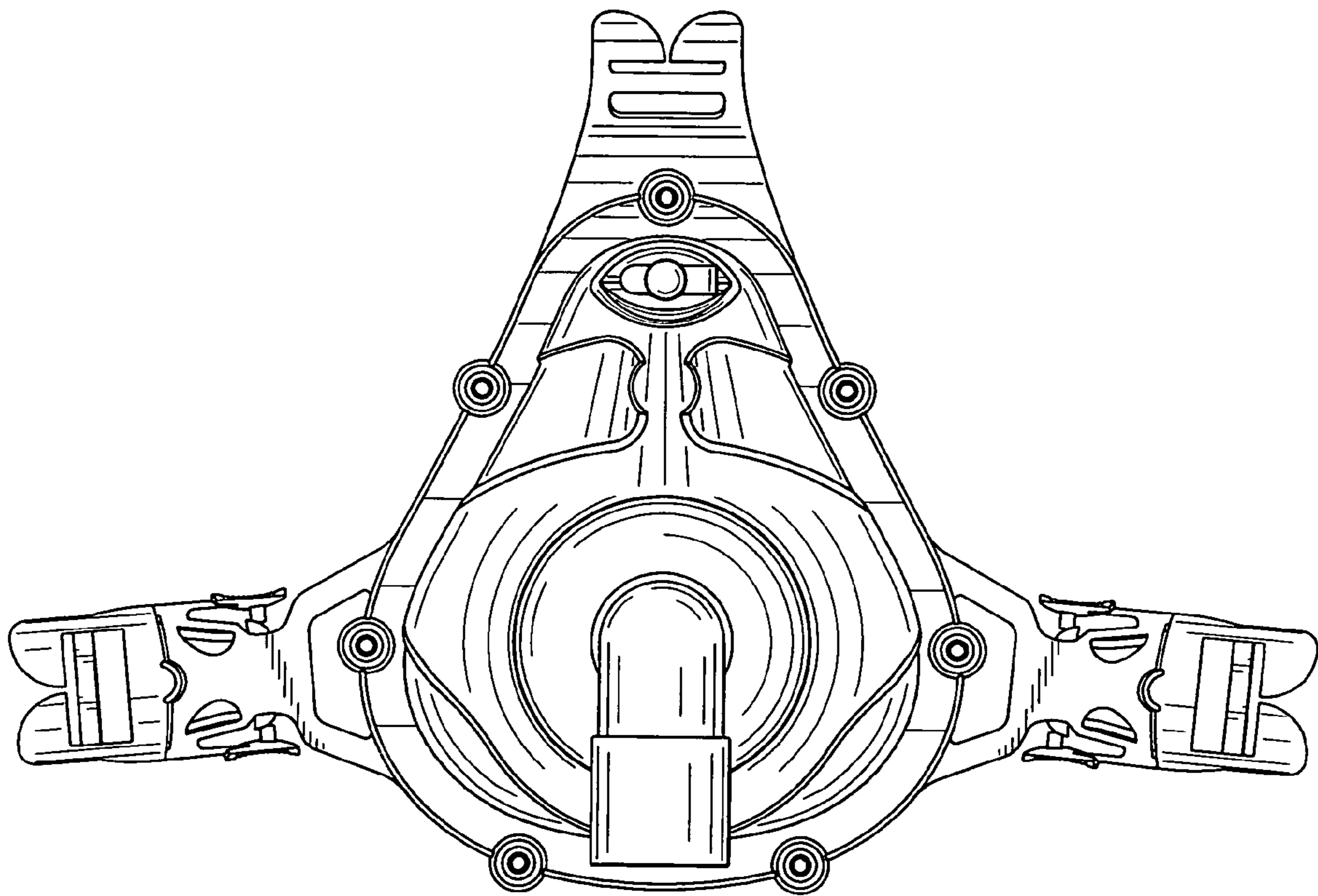


Fig. 3

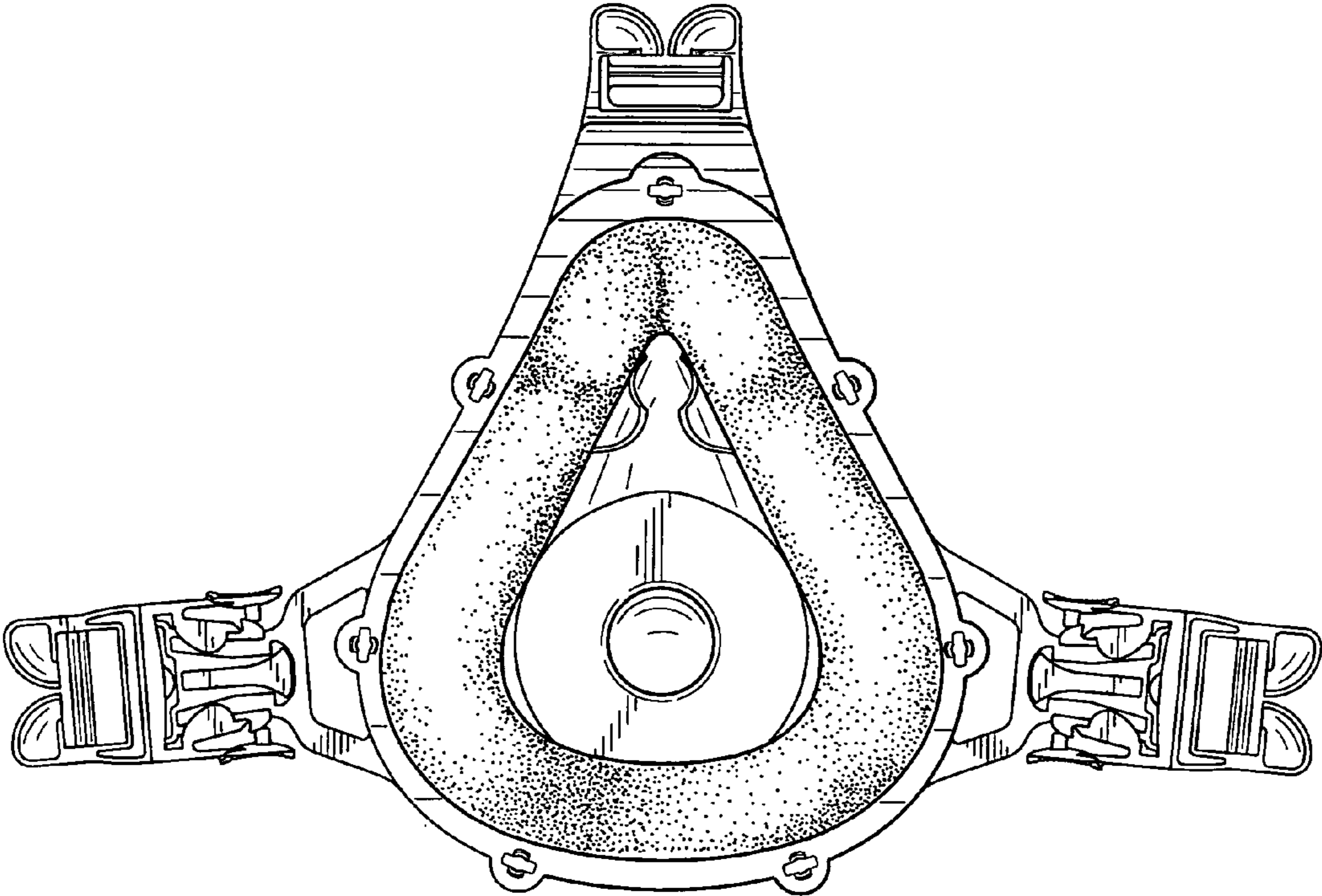


Fig. 4

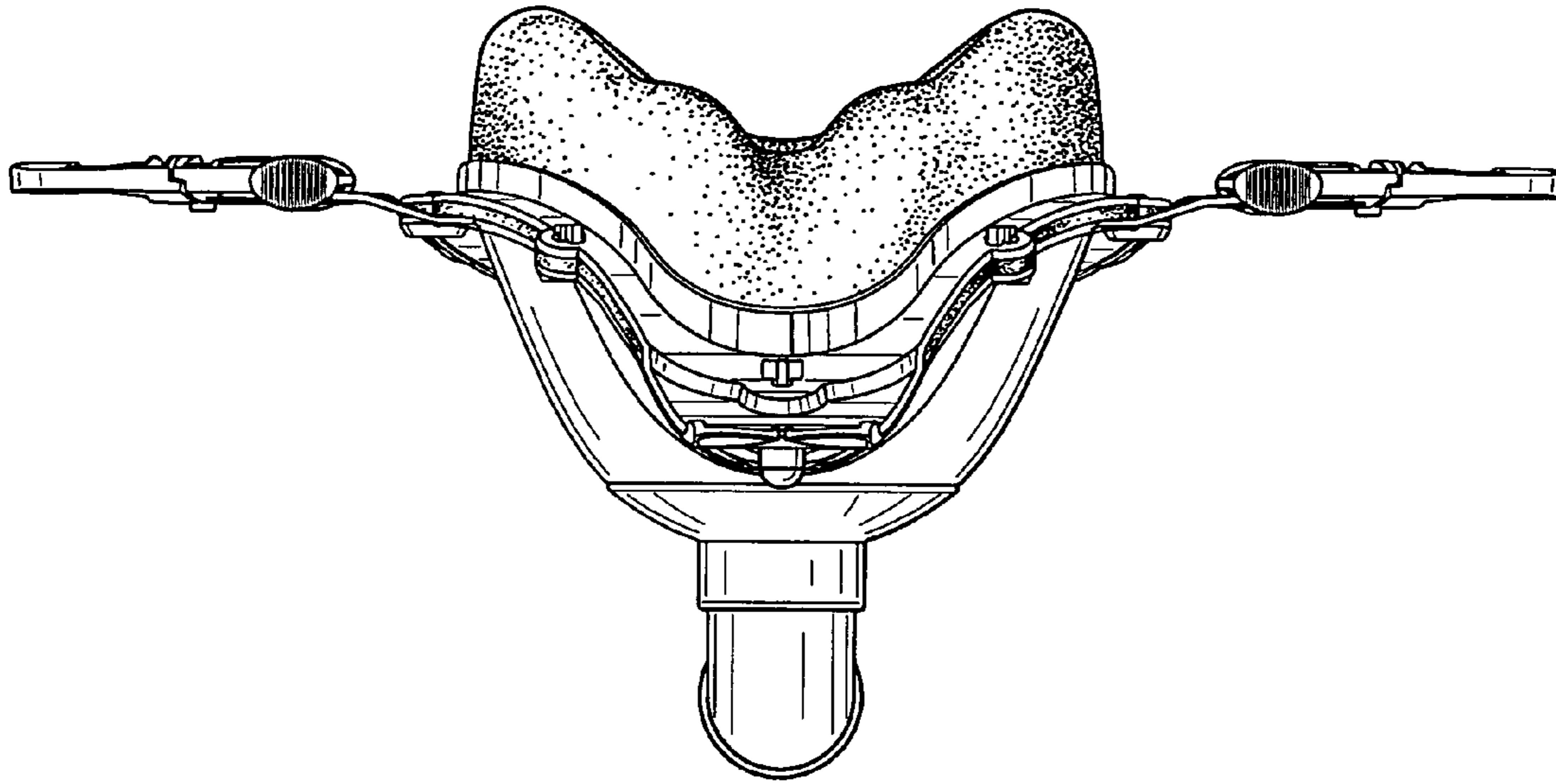


Fig. 5

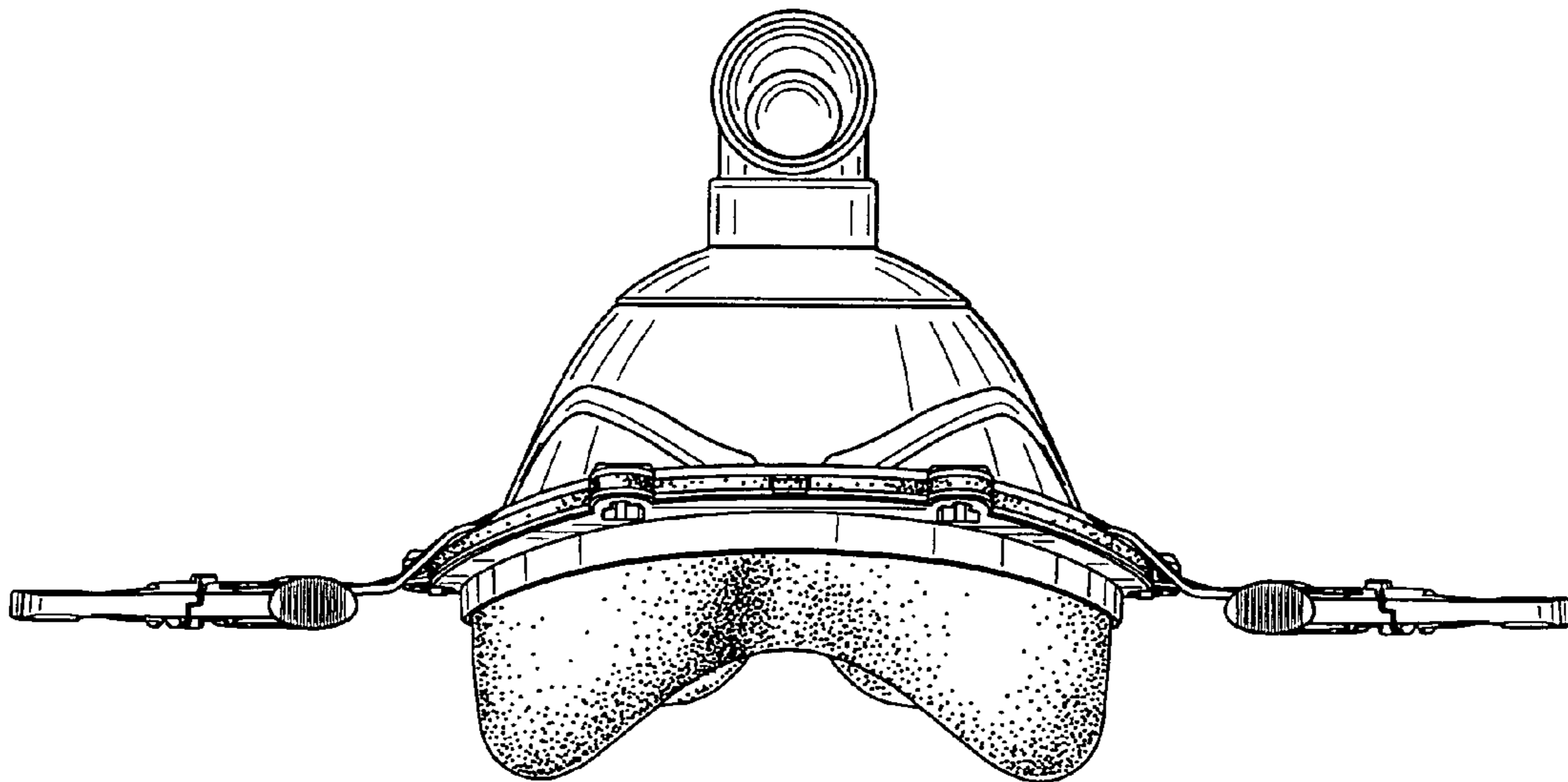


Fig. 6

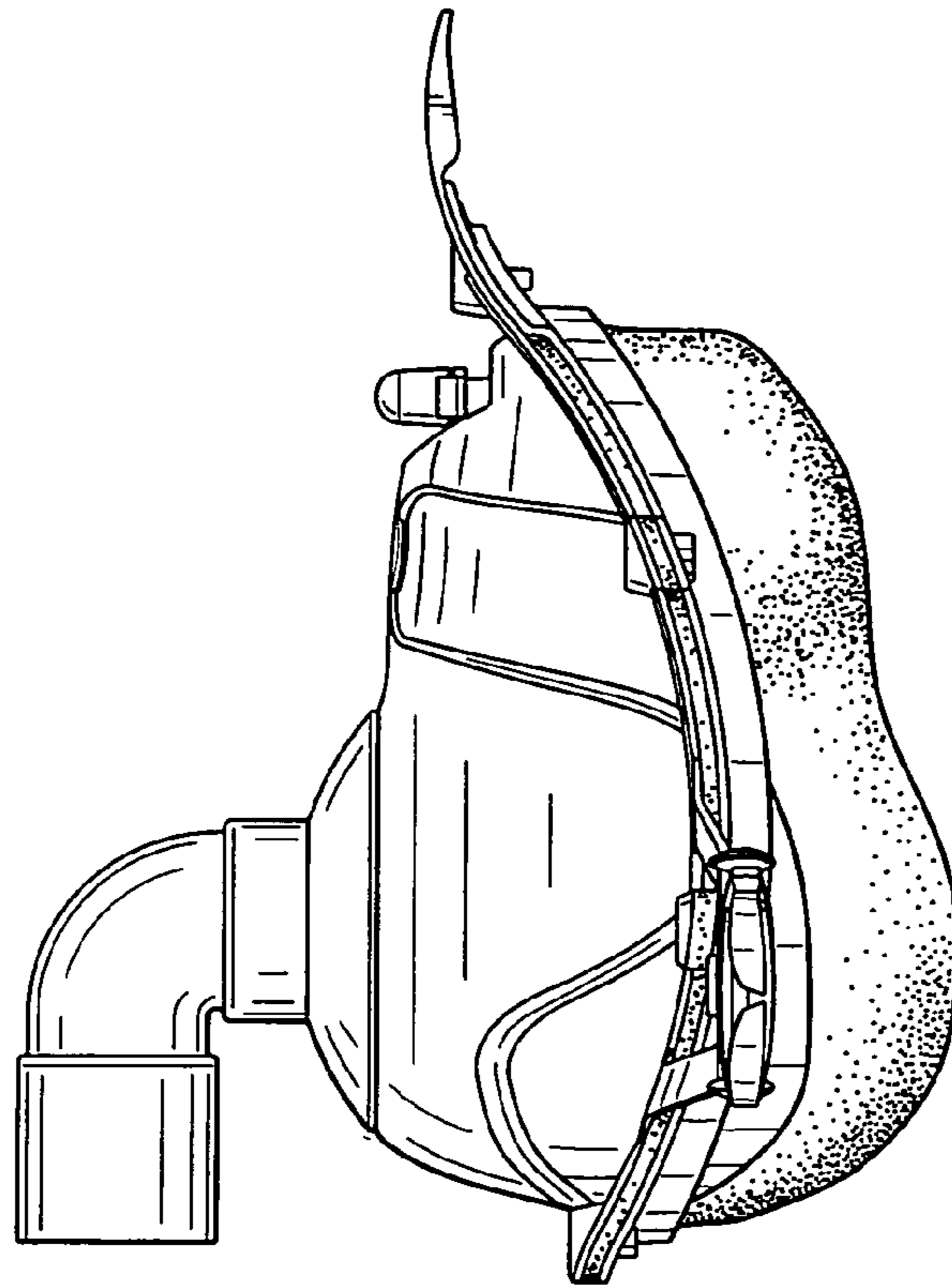


Fig. 7

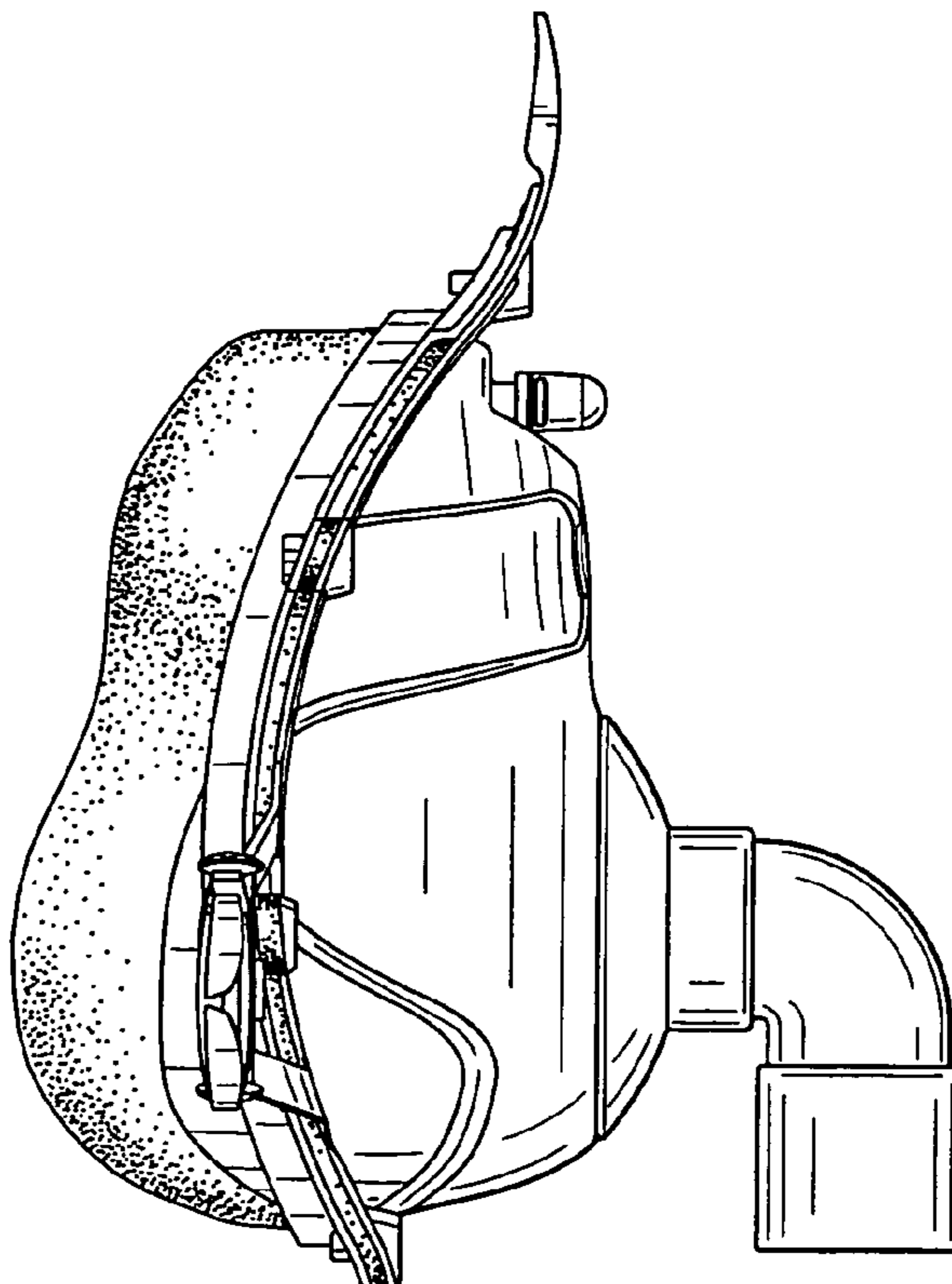


Fig. 8