



US00D619700S

(12) **United States Design Patent**
Kenyon et al.

(10) **Patent No.:** **US D619,700 S**
(45) **Date of Patent:** **** Jul. 13, 2010**

(54) **MOTOR HOUSING**

D493,520 S * 7/2004 Bertinetti et al. D24/110
D493,884 S * 8/2004 Virr et al. D24/110

(75) Inventors: **Barton John Kenyon**, Ashfield (AU);
David B. Sears, Woodland Hills, CA
(US); **Michael Bruce Moir**, Newbury
Park, CA (US); **Michael David Bednar**,
Playa del Rey, CA (US); **Richard G.**
Krum, Thousand Oaks, CA (US)

(Continued)

FOREIGN PATENT DOCUMENTS

EP 0295455 12/1988

(Continued)

OTHER PUBLICATIONS

U.S. Appl. No. 29/274,505, filed Apr. 27, 2007.

(Continued)

Primary Examiner—Ian Simmons
Assistant Examiner—Wan Laymon
(74) *Attorney, Agent, or Firm*—Nixon & Vanderhye PC

(73) Assignee: **ResMed Motor Technologies Inc.**,
Chatsworth, CA (US)

(**) Term: **14 Years**

(21) Appl. No.: **29/311,305**

(22) Filed: **Feb. 13, 2009**

Related U.S. Application Data

(60) Division of application No. 29/274,504, filed on Apr.
27, 2007, now Pat. No. Des. 589,136, which is a con-
tinuation-in-part of application No. PCT/AU2006/
001616, filed on Oct. 27, 2006.

(51) **LOC (9) Cl.** **29-02**

(52) **U.S. Cl.** **D24/110; D24/164**

(58) **Field of Classification Search** D24/110,
D24/164; 128/200.24, 203.12, 204.23, 204.21,
128/204.25, 204.26, 204.16–204.18; 417/423.1,
417/423.7, 423.14, 360

See application file for complete search history.

(56) **References Cited**

U.S. PATENT DOCUMENTS

D314,844 S 2/1991 Baharad
5,893,705 A 4/1999 Khan et al.
D427,675 S 7/2000 Hansel
6,315,526 B1 11/2001 Jones
6,357,463 B1 3/2002 Wickham et al.
6,371,738 B2 4/2002 Jones
D467,335 S * 12/2002 Lithgow et al. D24/110
D468,011 S 12/2002 Lynch et al.
6,565,334 B1 5/2003 Bradbury et al.
D487,311 S * 3/2004 Lithgow et al. D24/110

(57) **CLAIM**

The ornamental design for a motor housing, as shown and
described.

DESCRIPTION

FIG. 1 a perspective view of a motor housing according to our
new design, with environmental exploded components shown
in broken lines;

FIG. 2 is a perspective view of a cap of the motor housing
thereof;

FIG. 3 is a top perspective view of the motor housing;

FIG. 4 is a bottom perspective view thereof;

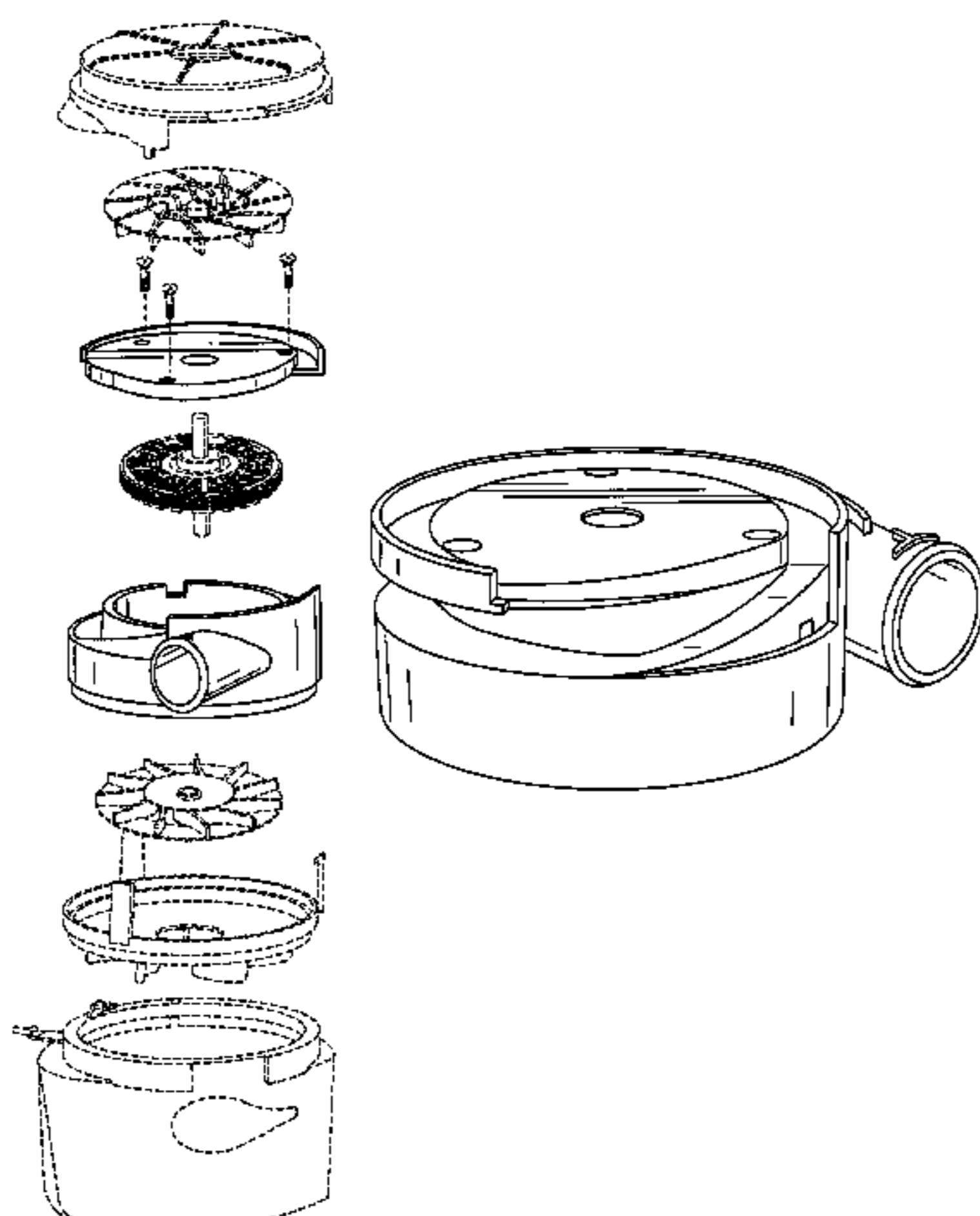
FIG. 5 is a front perspective view thereof;

FIG. 6 is a rear perspective view thereof; and,

FIG. 7 is a left side perspective view thereof.

The broken line showing portions of a motor housing is
included for the purpose of illustrating environmental struc-
ture and forms no part of the claimed design.

1 Claim, 3 Drawing Sheets



US D619,700 S

Page 2

U.S. PATENT DOCUMENTS

D497,203 S 10/2004 Lithgow et al.
6,910,483 B2* 6/2005 Daly et al. 128/204.26
7,012,346 B2 3/2006 Hoffman et al.
D544,598 S 6/2007 Lithgow et al.
D560,795 S 1/2008 Lithgow et al.
D577,807 S * 9/2008 Kenyon et al. D24/110
D589,136 S * 3/2009 Kenyon et al. D24/110
D589,137 S * 3/2009 Kenyon et al. D24/110
D589,138 S * 3/2009 Kenyon et al. D24/110
2003/0168064 A1 9/2003 Daly et al.
2004/0071552 A1 4/2004 Truitt et al.
2005/0247314 A1 11/2005 Virr et al.
2006/0138878 A1 6/2006 Hoffman et al.
2007/0125386 A1 6/2007 Quinn
2007/0134085 A1 6/2007 Daly et al.

2009/0194101 A1* 8/2009 Kenyon et al. 128/204.21
2009/0246013 A1* 10/2009 Kenyon et al. 128/204.18

FOREIGN PATENT DOCUMENTS

WO WO 1999/000601 1/1999
WO WO 2000/038771 7/2000
WO WO 2004/112873 12/2004
WO WO 2007/048206 5/2007

OTHER PUBLICATIONS

U.S. Appl. No. 29/274,506, filed Apr. 27, 2007.
U.S. Appl. No. 29/274,507, filed Apr. 27, 2007.
International Search Report, Appln. No. PCT/AU2006/0001616, Jan. 5, 2007.

* cited by examiner

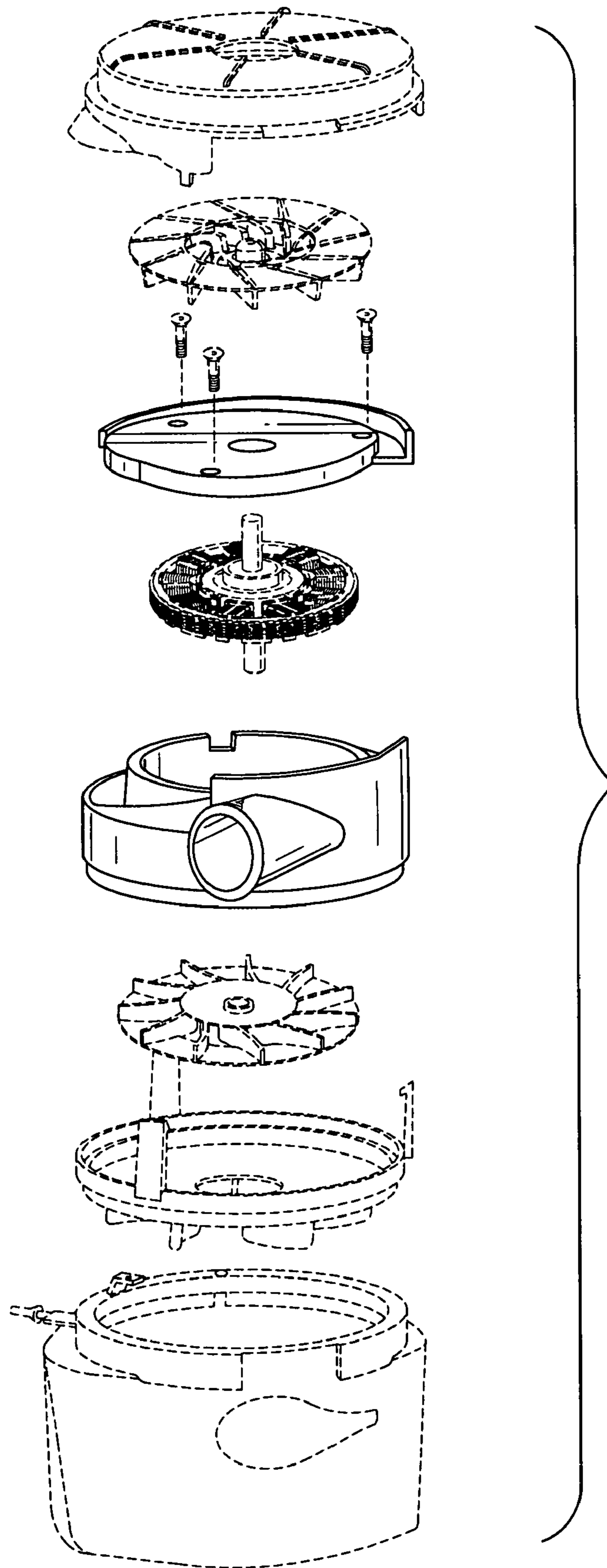


FIG. 1

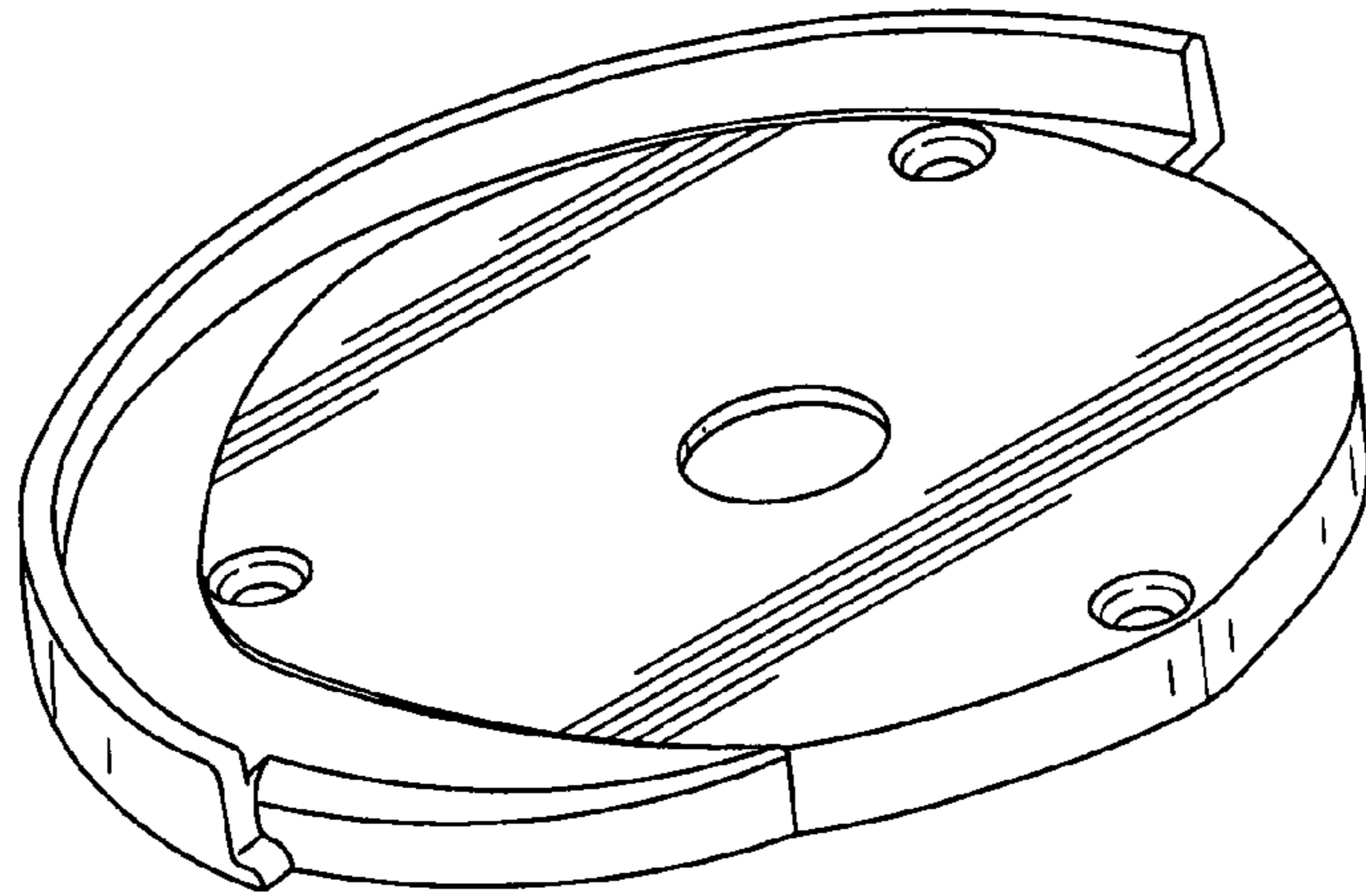


FIG. 2

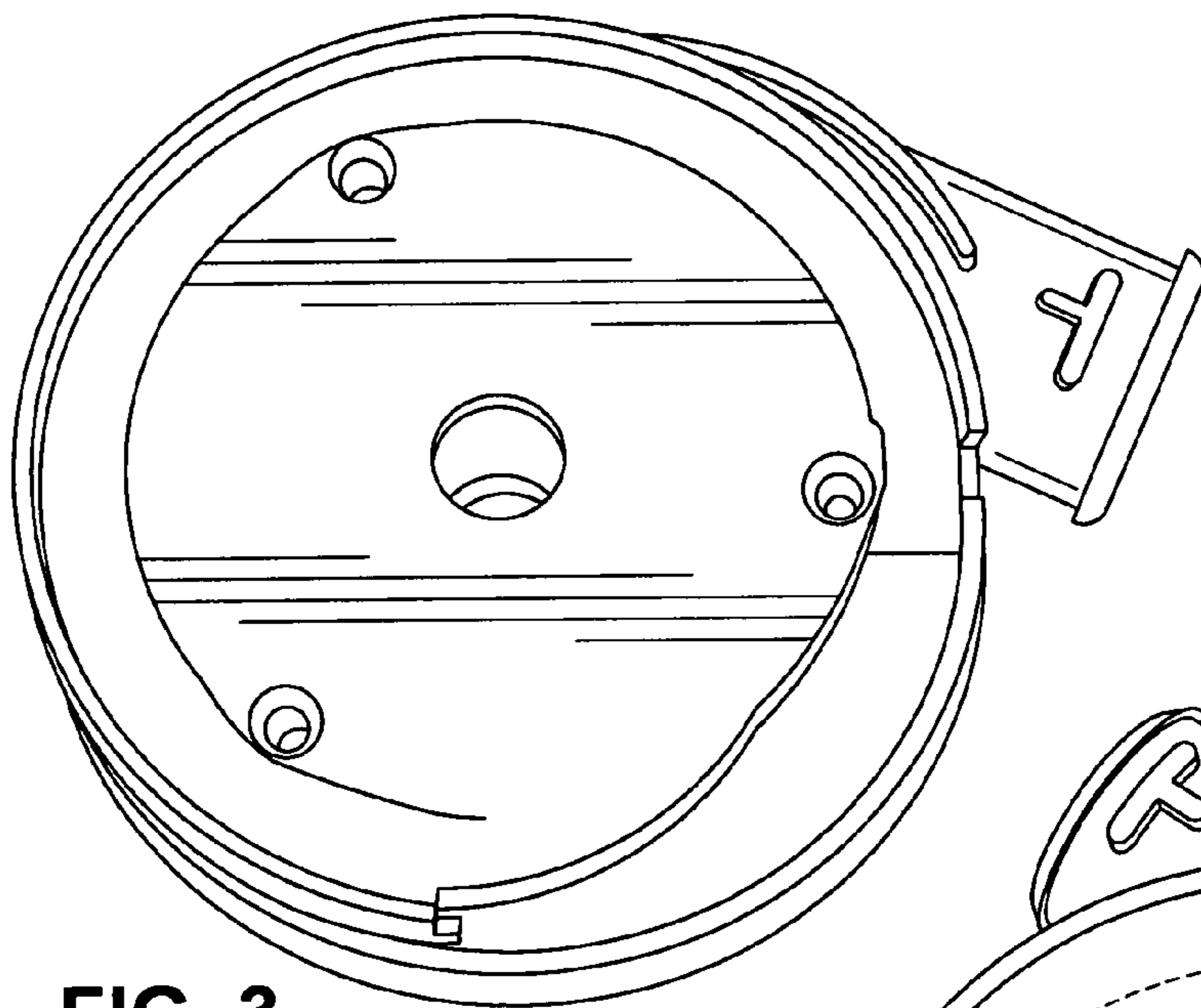


FIG. 3

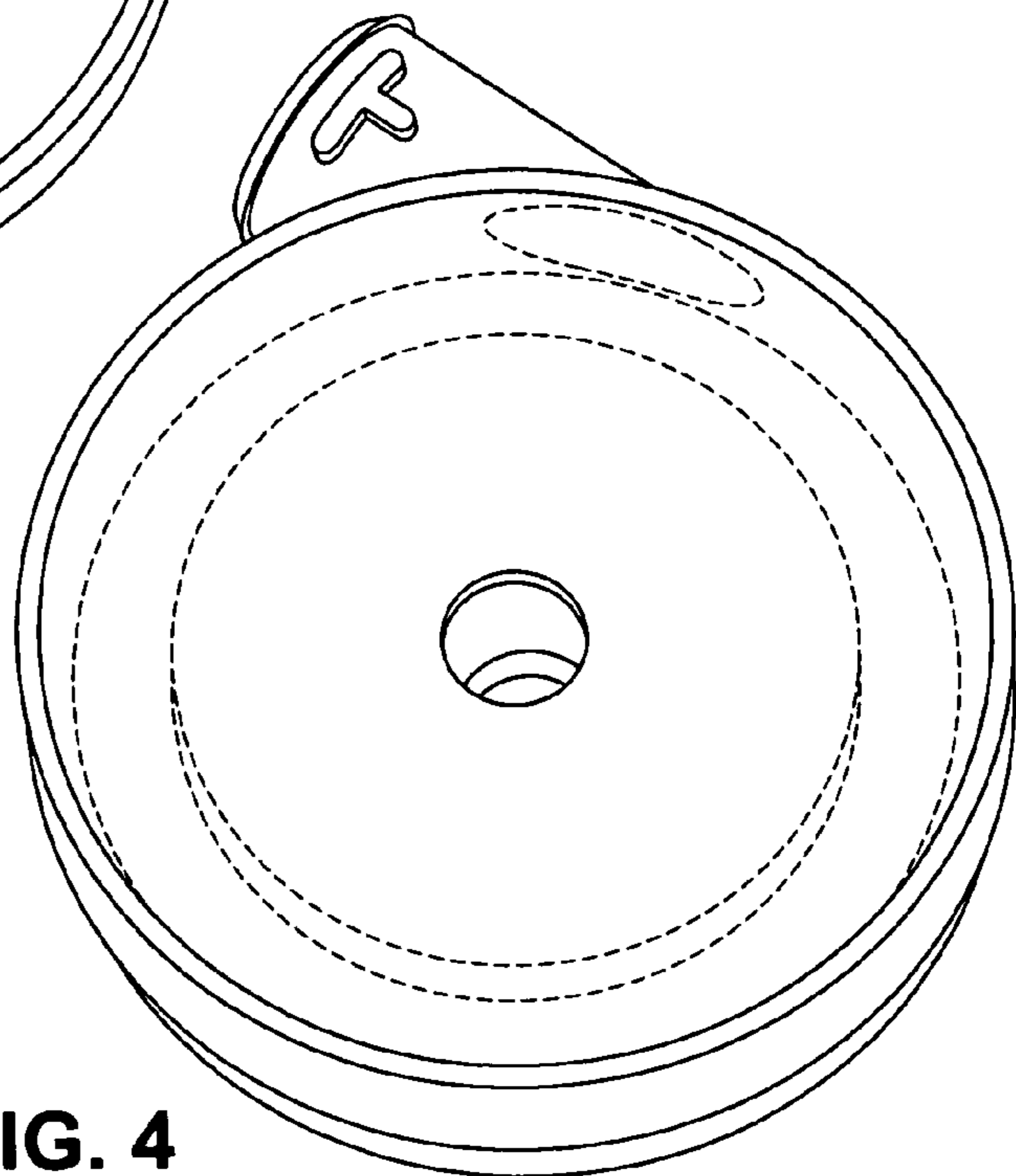


FIG. 4

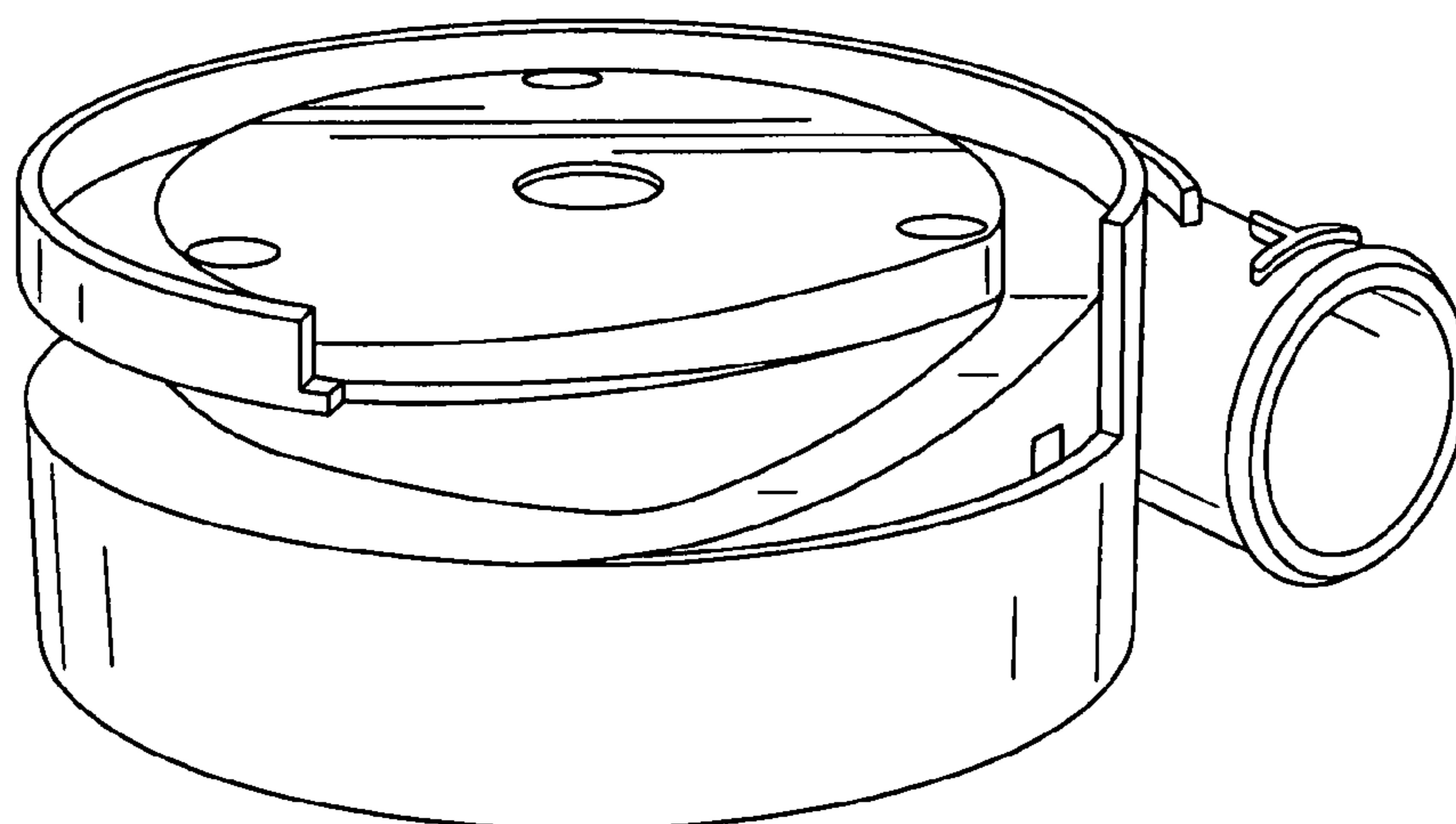


FIG. 5

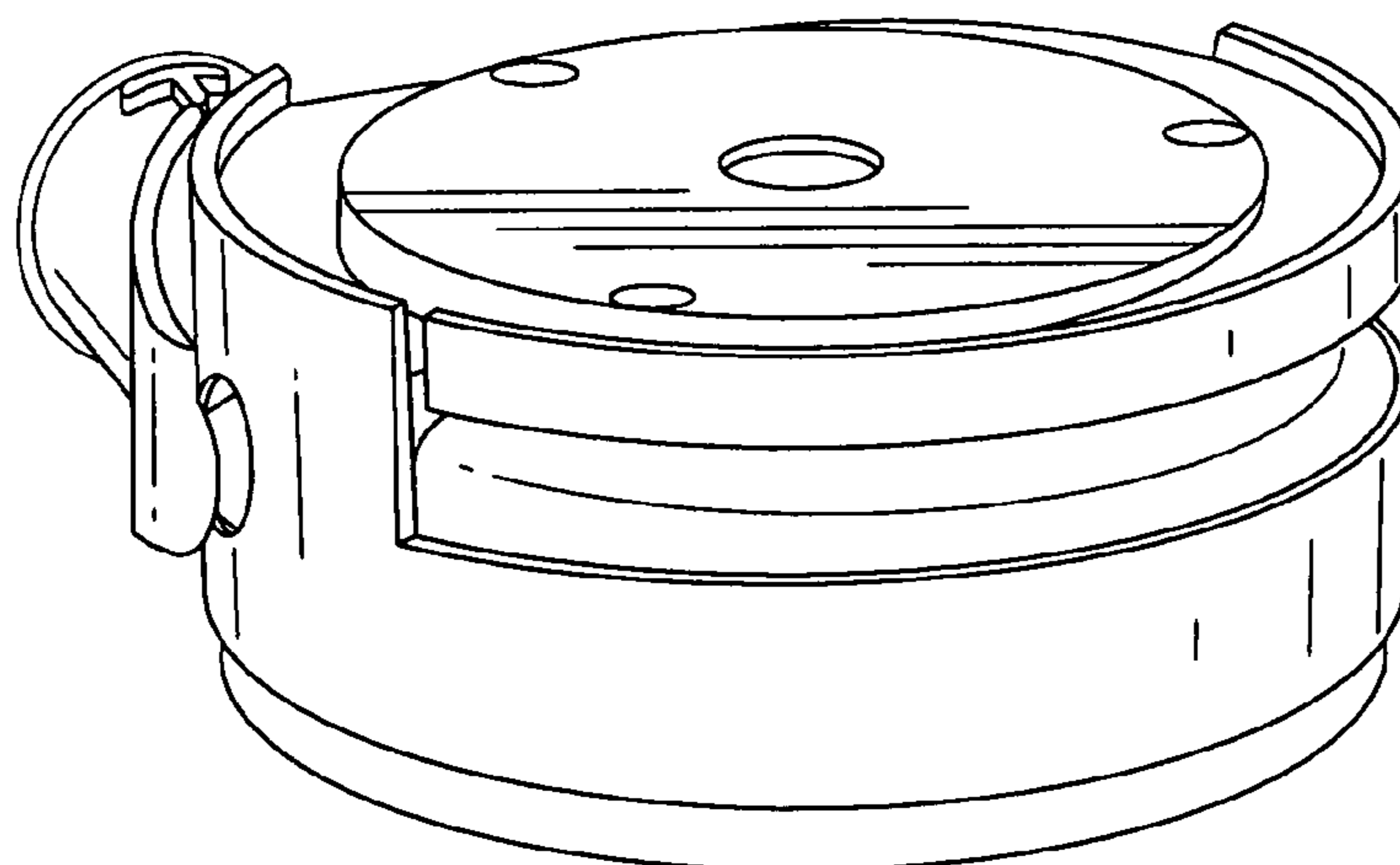


FIG. 6

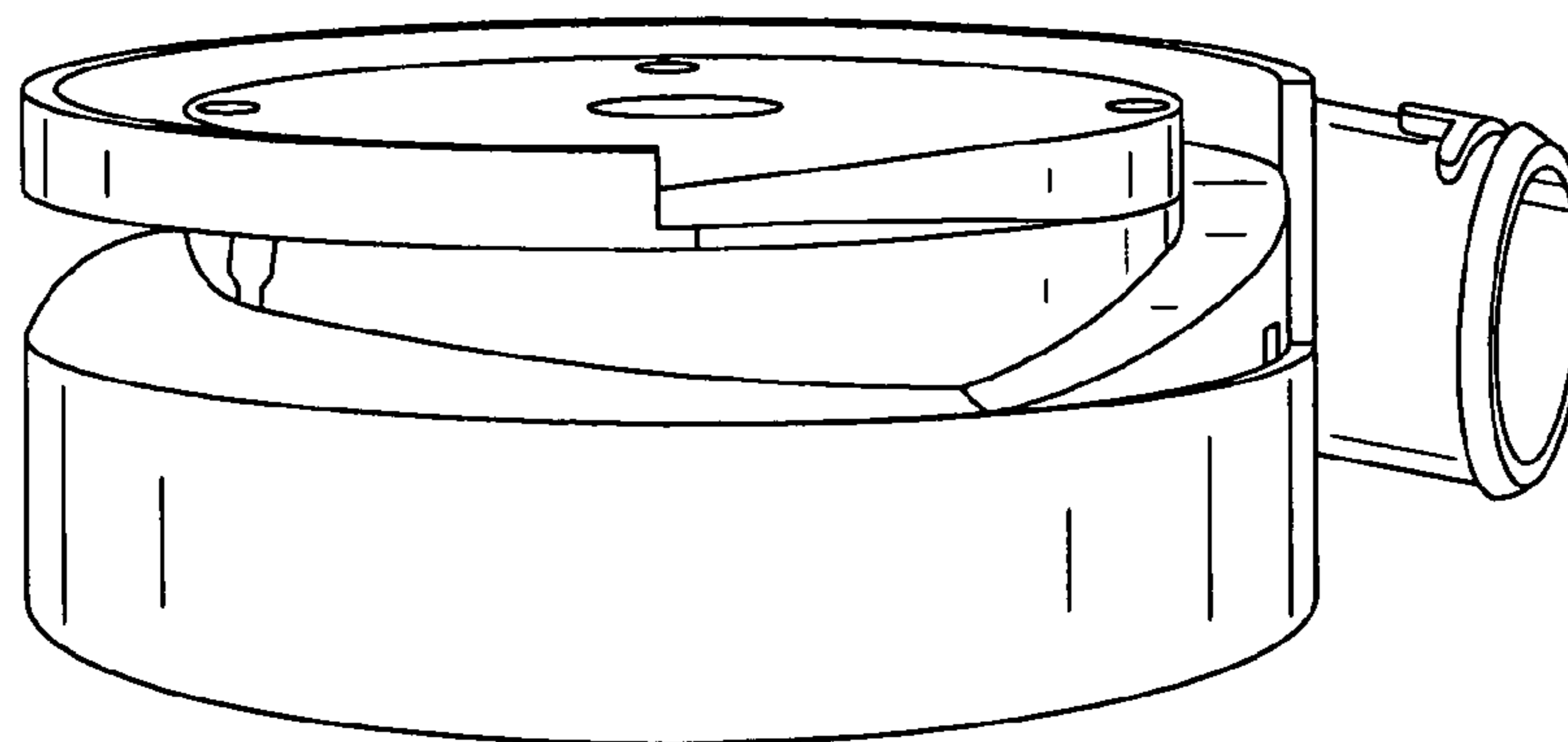


FIG. 7