



US00D619699S

(12) **United States Design Patent**
Kimura et al.

(10) **Patent No.:** **US D619,699 S**
(45) **Date of Patent:** **** Jul. 13, 2010**

(54) **AIR OUTLET**

D557,788 S * 12/2007 Eloranta D23/386

(75) Inventors: **Keiichi Kimura**, Osaka (JP); **Mitsuo Morita**, Osaka (JP); **Kazuyuki Kasahara**, Osaka (JP); **Katsuhiko Urano**, Osaka (JP)

FOREIGN PATENT DOCUMENTS

JP 716719 11/1987
JP 875563-1 8/1993

* cited by examiner

(73) Assignee: **Kimura Kohki Co. Ltd.**, Osaka (JP)

Primary Examiner—T. Chase Nelson
Assistant Examiner—David G Muller

(**) Term: **14 Years**

(74) *Attorney, Agent, or Firm*—Muncy, Geissler, Olds & Lowe, PLLC

(21) Appl. No.: **29/343,619**

(22) Filed: **Sep. 16, 2009**

(57) **CLAIM**

(30) **Foreign Application Priority Data**

The ornamental design of an air outlet, as shown and described.

Mar. 26, 2009 (JP) 2009-006765

DESCRIPTION

(51) **LOC (9) Cl.** **23-04**

FIG. 1 is a perspective view of an air outlet according to the present invention.

(52) **U.S. Cl.** **D23/388**

FIG. 2 is a front elevational view of the air outlet of FIG. 1.

(58) **Field of Classification Search** D23/385–395,
D23/397, 370–373, 351, 354, 399–403; 454/309,
454/275–277, 284, 287–291

FIG. 3 is a rear elevational view of the air outlet of FIG. 1.

See application file for complete search history.

FIG. 4 is a left side elevational view of the air outlet of FIG. 1.

FIG. 5 is a right side elevational view of the air outlet of FIG. 1.

1.

(56) **References Cited**

U.S. PATENT DOCUMENTS

FIG. 6 is a top plan view of the air outlet of FIG. 1.

FIG. 7 is a bottom plan view of the air outlet of FIG. 1.

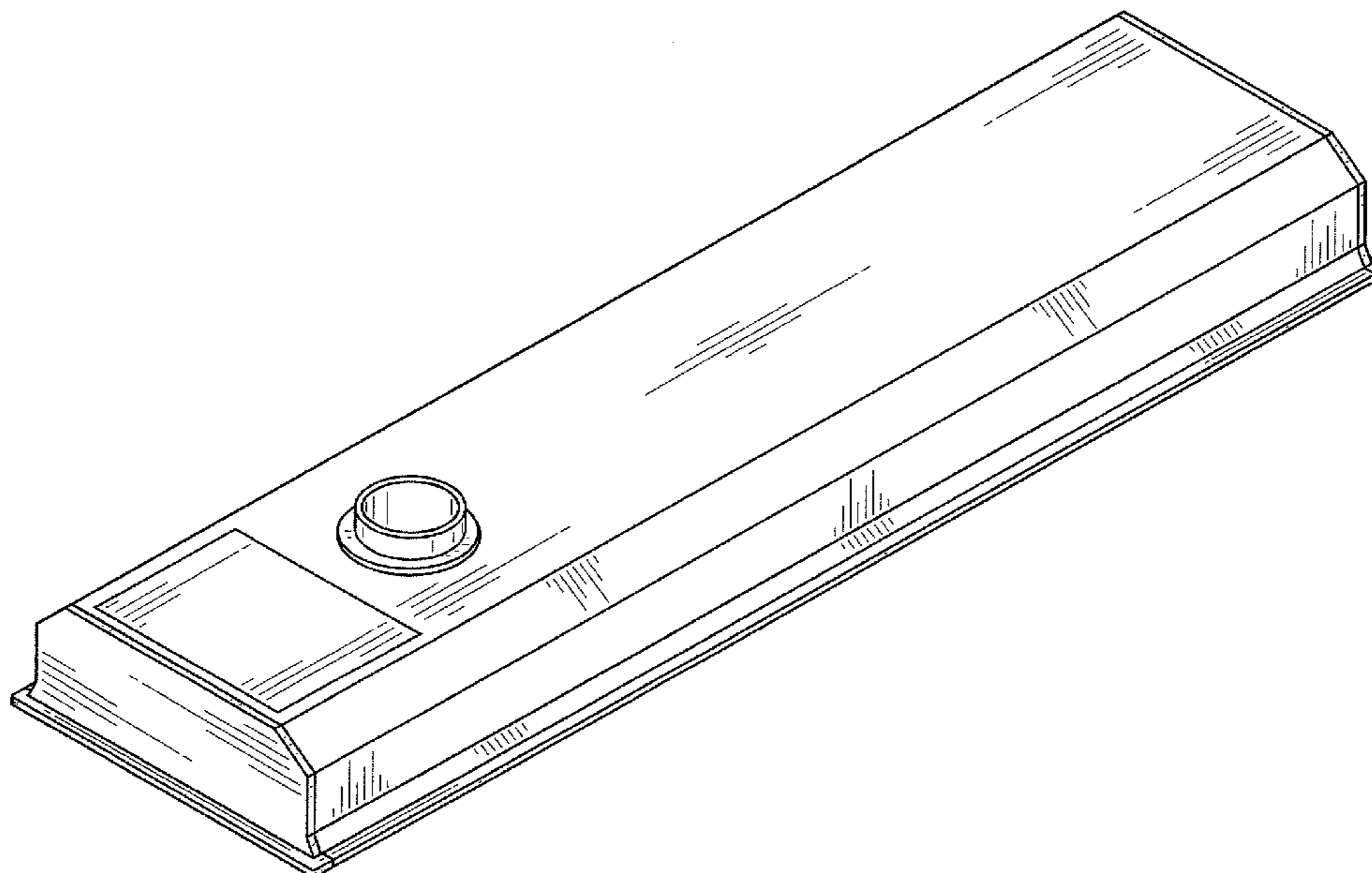
- D56,410 S * 10/1920 Bakstad D23/385
- D256,156 S * 7/1980 Garritson D23/393
- D269,117 S * 5/1983 Sherrard D23/393
- D277,404 S * 1/1985 Peterson et al. D23/371
- D314,820 S * 2/1991 Sullivan D23/393
- D338,713 S * 8/1993 Cox et al. D23/386
- D398,393 S * 9/1998 Horng D23/370
- D418,216 S * 12/1999 Horng D23/370
- D423,660 S * 4/2000 Inda D23/393
- D425,612 S * 5/2000 Andersen D23/393
- D463,019 S * 9/2002 Jones et al. D23/372
- D507,344 S * 7/2005 Anderson D23/393

FIG. 8 is a sectional elevational view taken along line 8—8 in FIG. 4; and,

FIG. 9 is a sectional elevational view taken along line 9—9 in FIG. 6.

The broken line showing of parts of the drawings is included for the purpose of illustrating use and environment and forms no part of the claimed design.

1 Claim, 6 Drawing Sheets



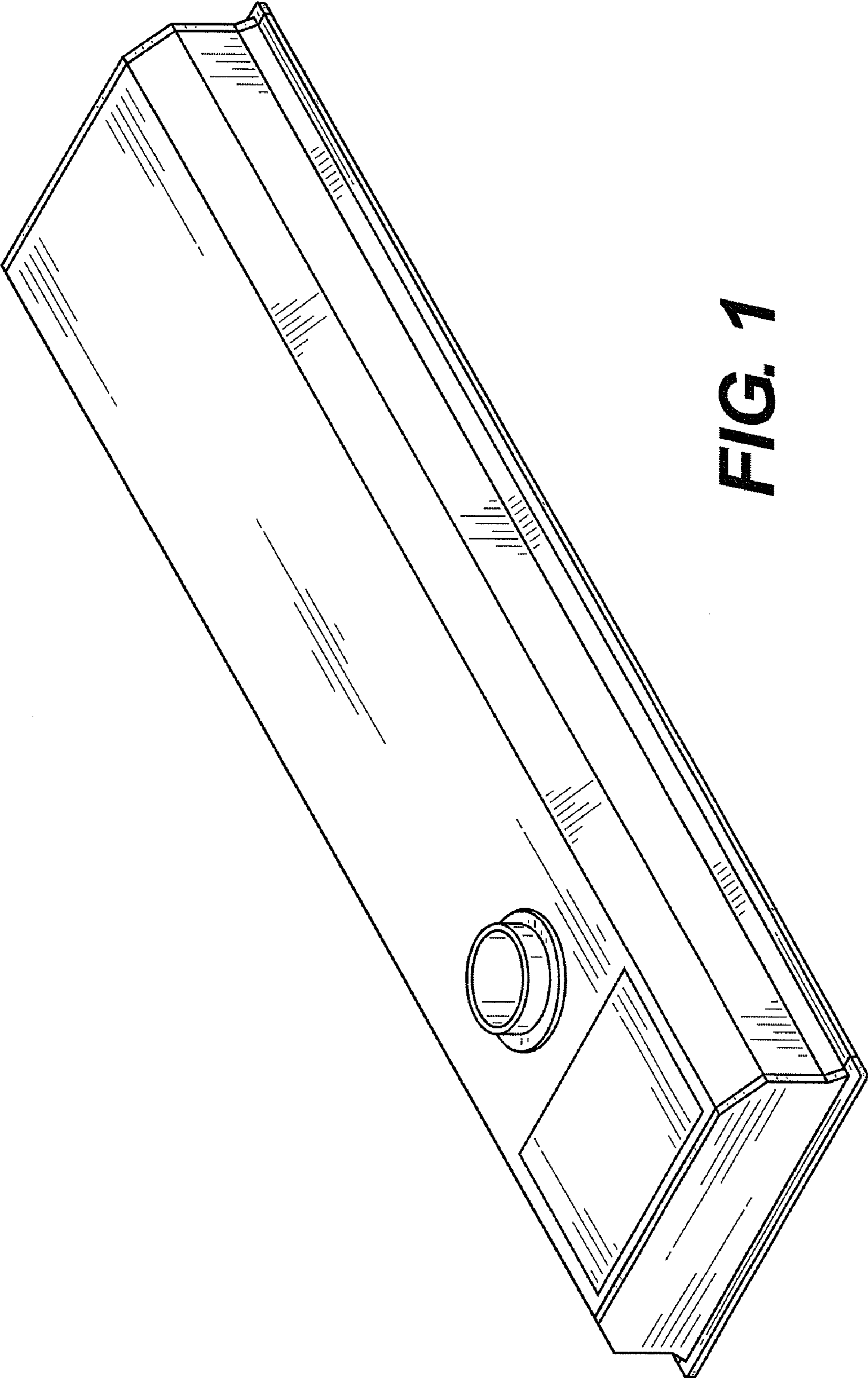


FIG. 1

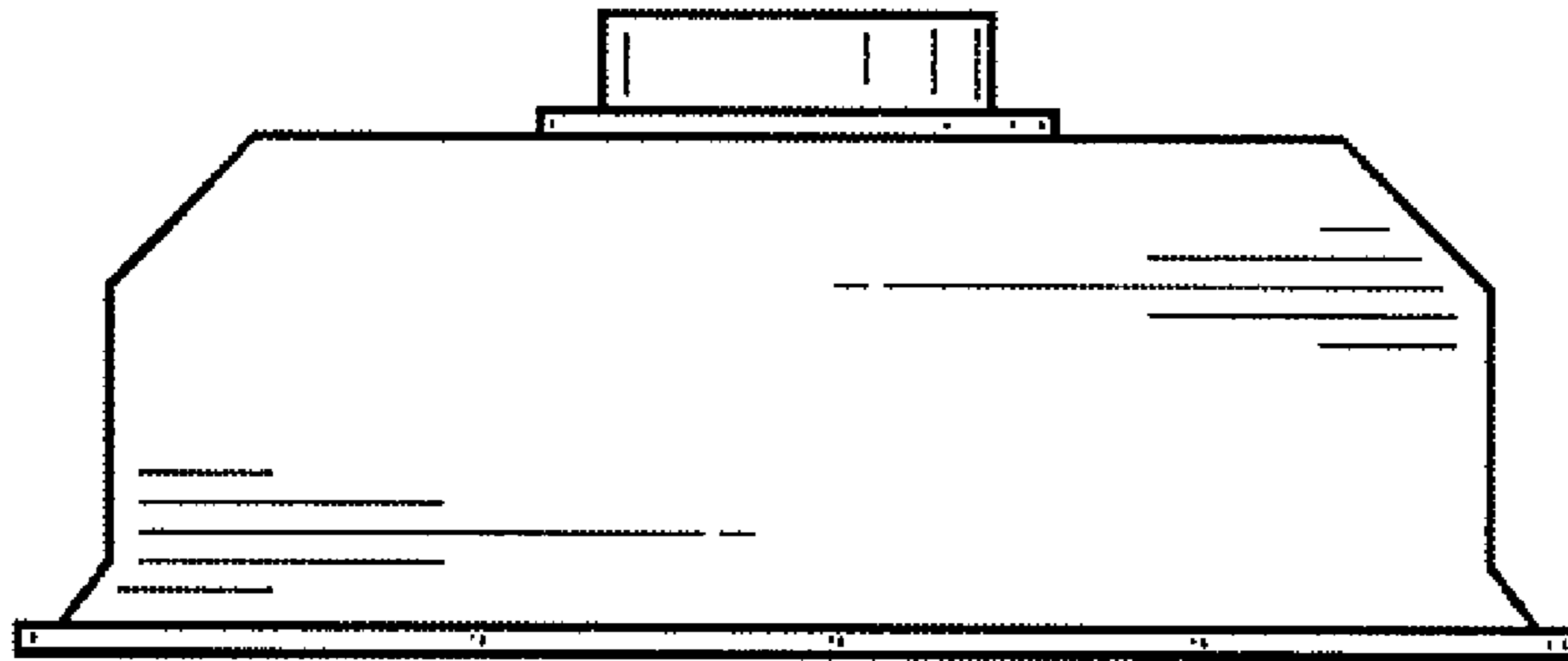


FIG. 2

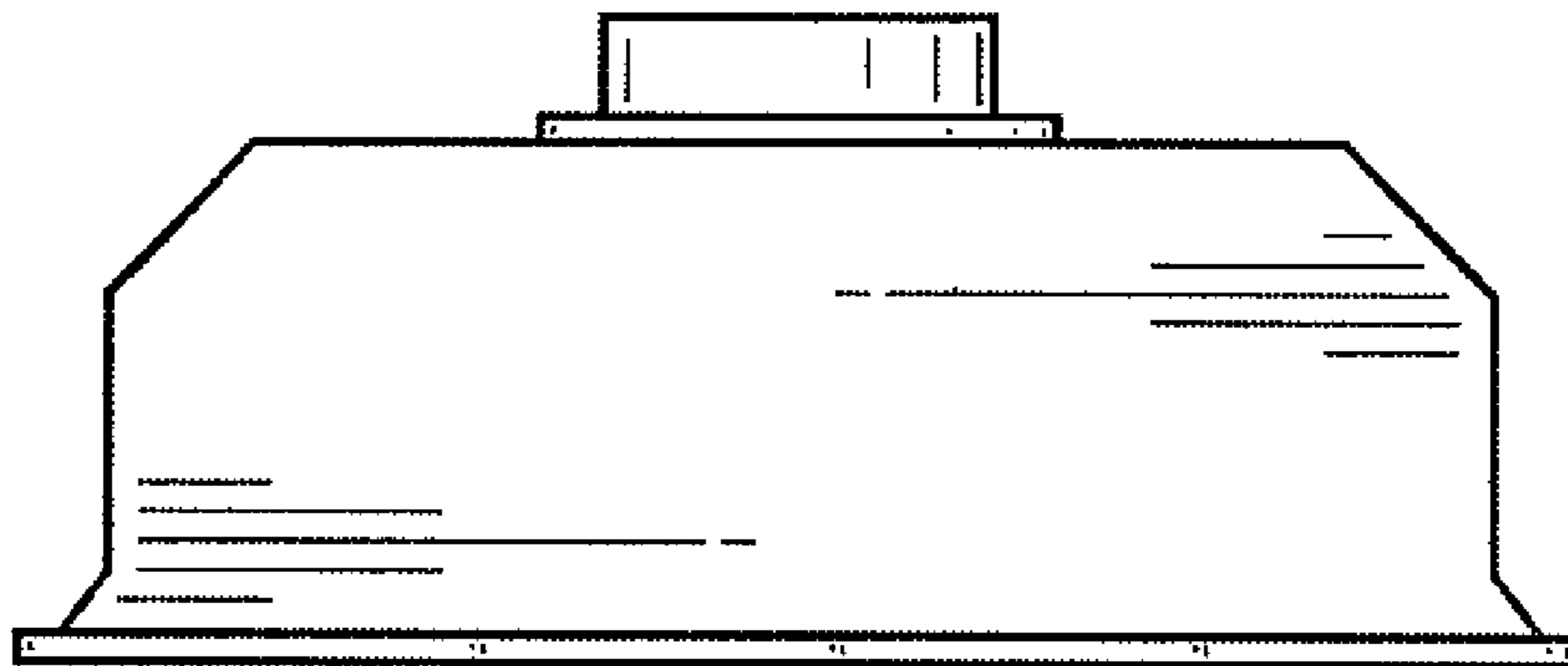


FIG. 3



FIG. 4

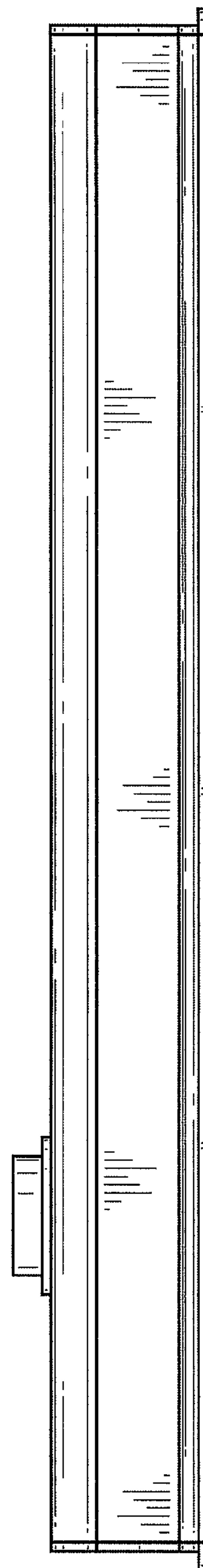


FIG. 5

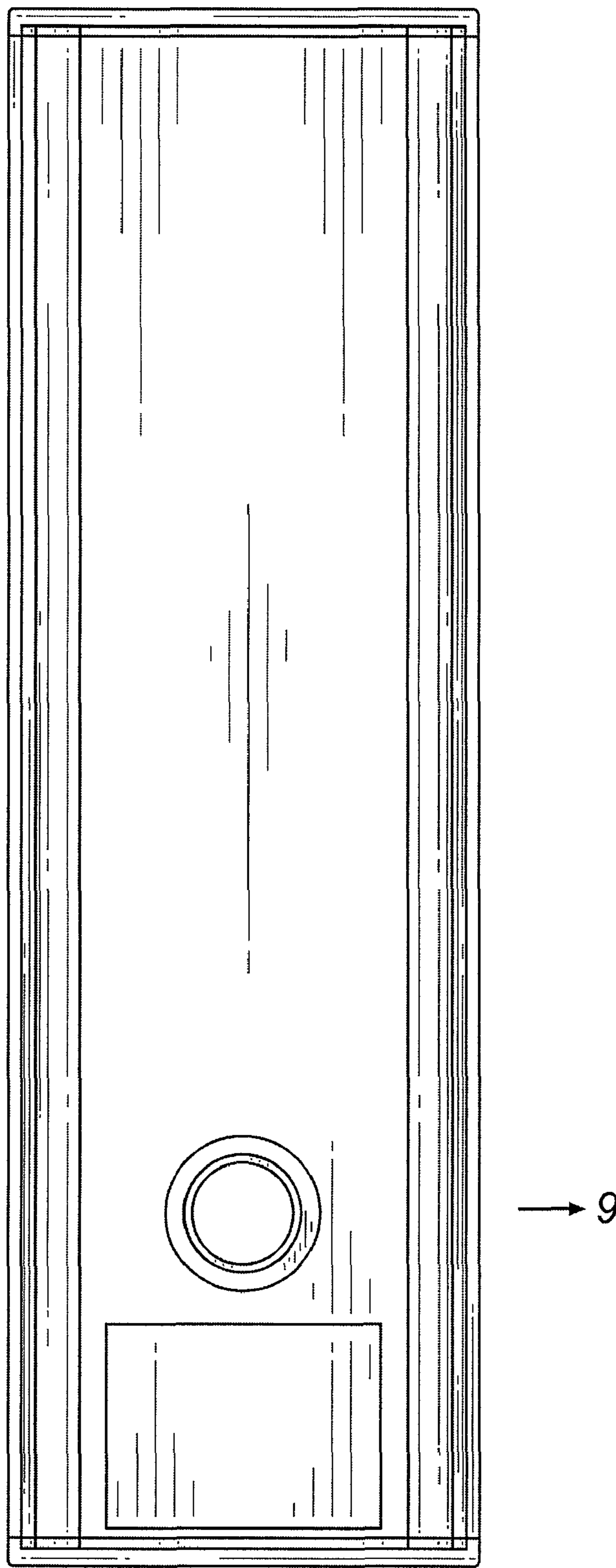


FIG. 6

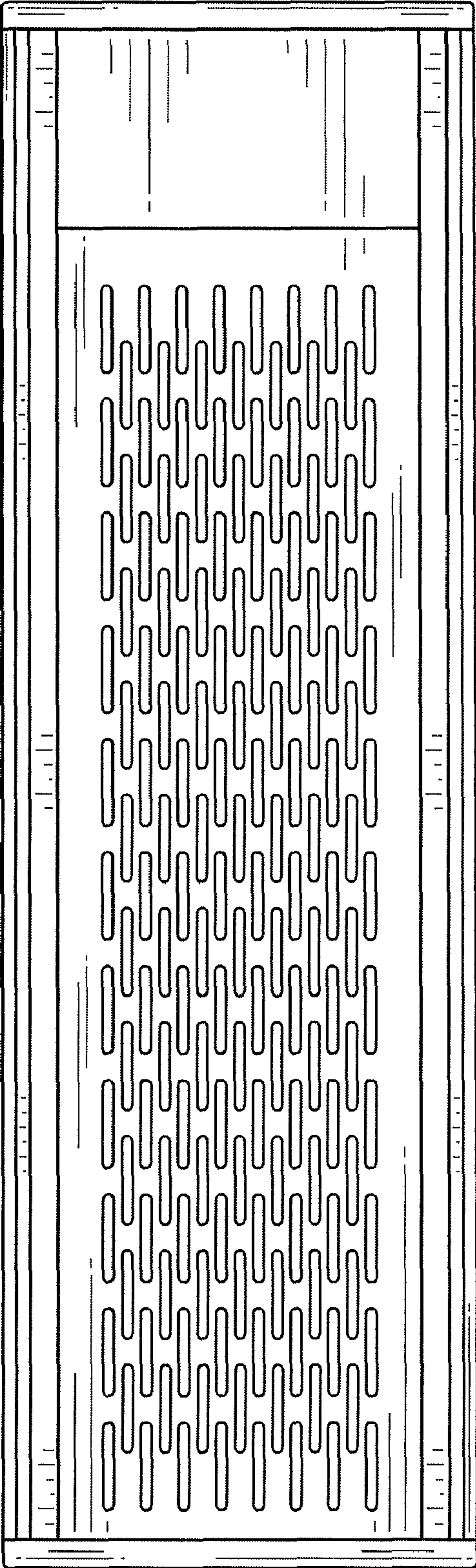


FIG. 7

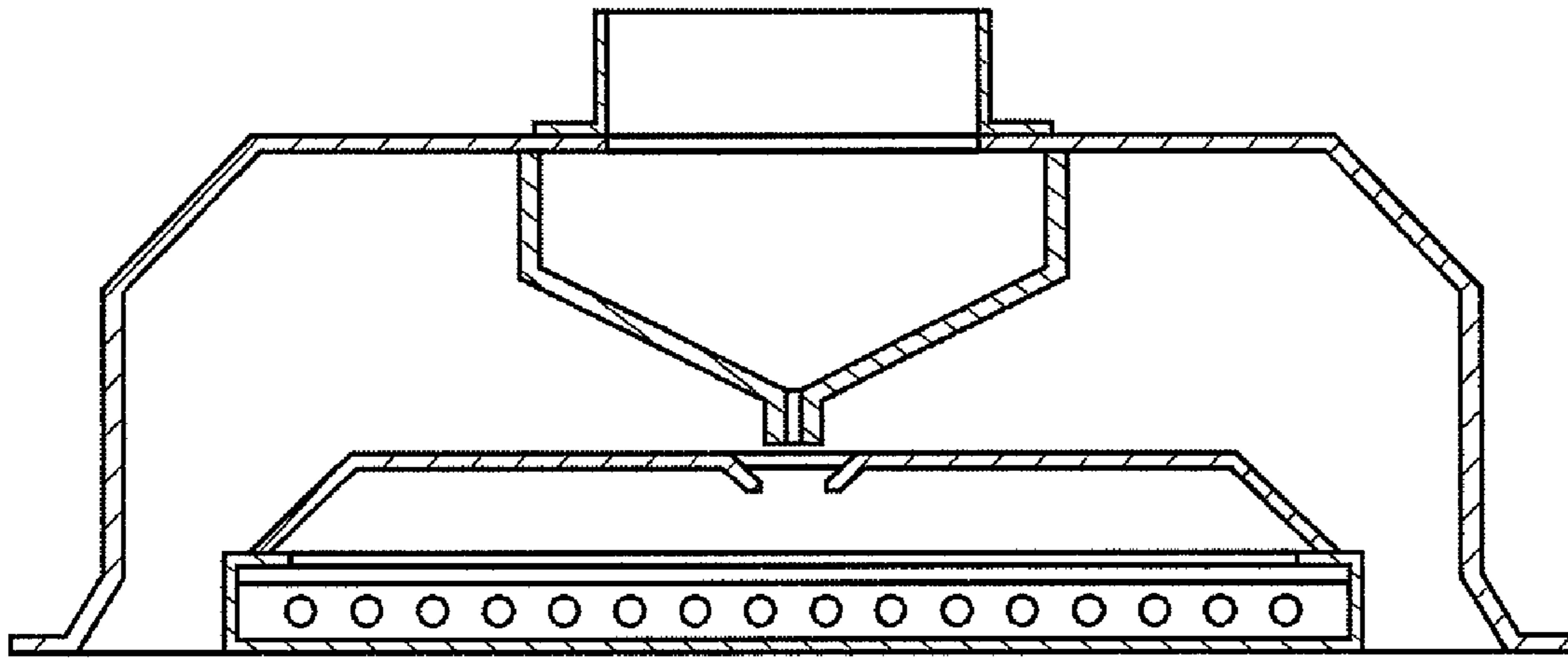


FIG. 8

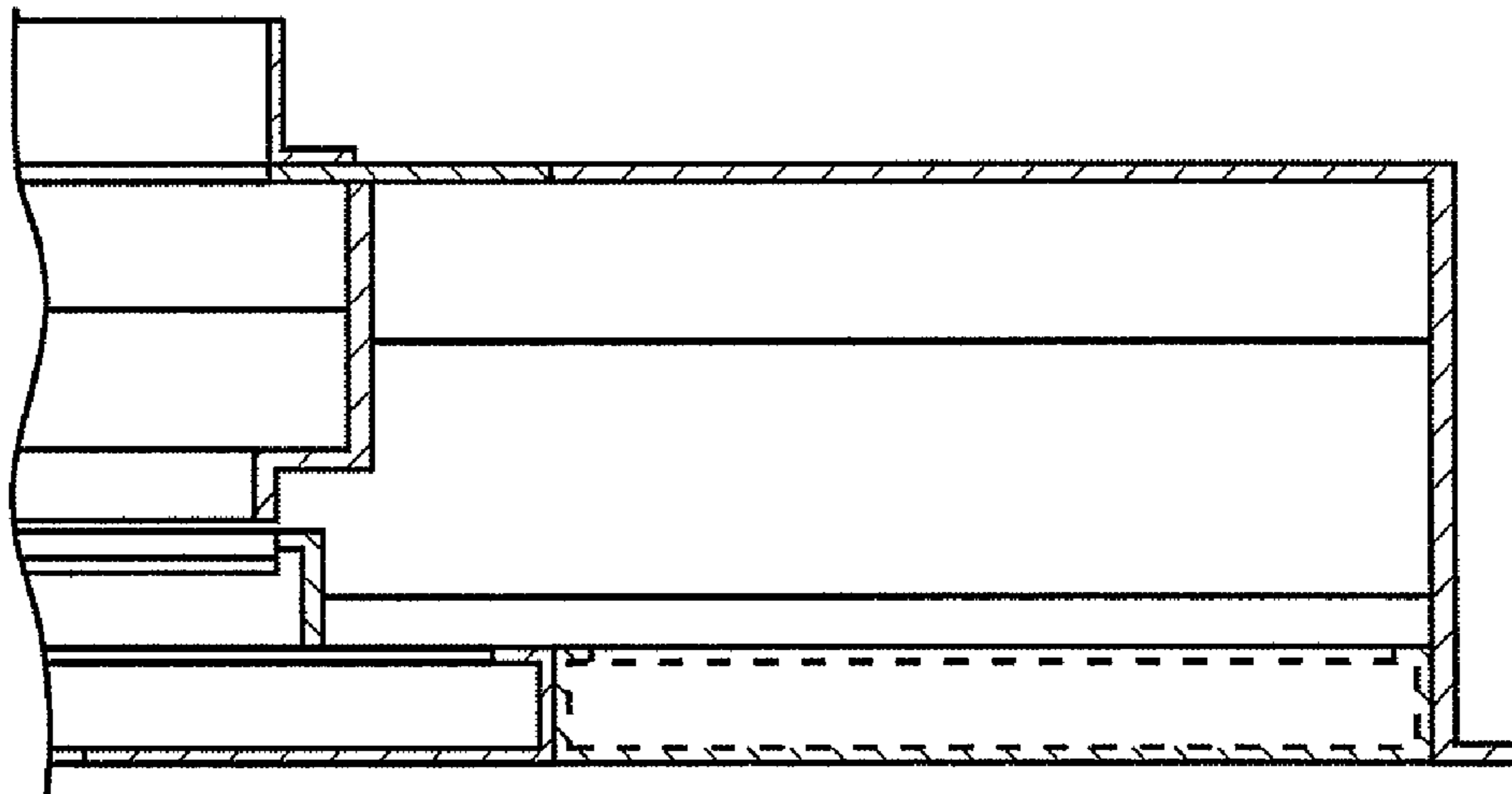


FIG. 9