



US00D619698S

(12) **United States Design Patent**
Emenheiser et al.

(10) **Patent No.:** **US D619,698 S**

(45) **Date of Patent:** **** Jul. 13, 2010**

(54) **AIR MOVER**

(75) Inventors: **Matthew Carl Emenheiser**, Golden, CO (US); **Adam Dean Bearup**, Lakewood, CO (US)

(73) Assignee: **Karcher North America, Inc.**, Englewood, CO (US)

(**) Term: **14 Years**

(21) Appl. No.: **29/353,440**

(22) Filed: **Jan. 8, 2010**

(51) **LOC (9) Cl.** **23-04**

(52) **U.S. Cl.** **D23/383**

(58) **Field of Classification Search** D23/370,
D23/383, 411, 414; 415/206, 208.1; 416/185,
416/186 R, 187

See application file for complete search history.

(56) **References Cited**

U.S. PATENT DOCUMENTS

4,130,381	A	12/1978	Levin et al.	
4,466,780	A	8/1984	Naurath	
5,053,065	A	10/1991	Garay et al.	
5,174,048	A	12/1992	Shero	
5,265,895	A	11/1993	Barrett	
5,403,152	A	4/1995	Trautloff et al.	
D422,351	S *	4/2000	Griffin D23/383
6,202,322	B1	3/2001	Turner, IV	
6,217,440	B1	4/2001	Wessel et al.	

D480,467	S	10/2003	White	
6,655,926	B2	12/2003	Wang et al.	
6,899,516	B2	5/2005	Wang	
D517,677	S	3/2006	Bartholmey	
7,007,403	B1	3/2006	Studebaker	
7,201,563	B2	4/2007	Studebaker	
7,238,006	B2	7/2007	Studebaker	
D596,283	S *	7/2009	Martinez et al. D23/383

* cited by examiner

Primary Examiner—Lisa P Lichtenstein

(74) *Attorney, Agent, or Firm*—Sheridan Ross P.C.

(57) **CLAIM**

The ornamental design for an air mover, as shown and described.

DESCRIPTION

FIG. 1 is a front perspective view of the air mover;

FIG. 2 is a left elevation view thereof;

FIG. 3 is a right elevation view thereof;

FIG. 4 is a top plan view thereof;

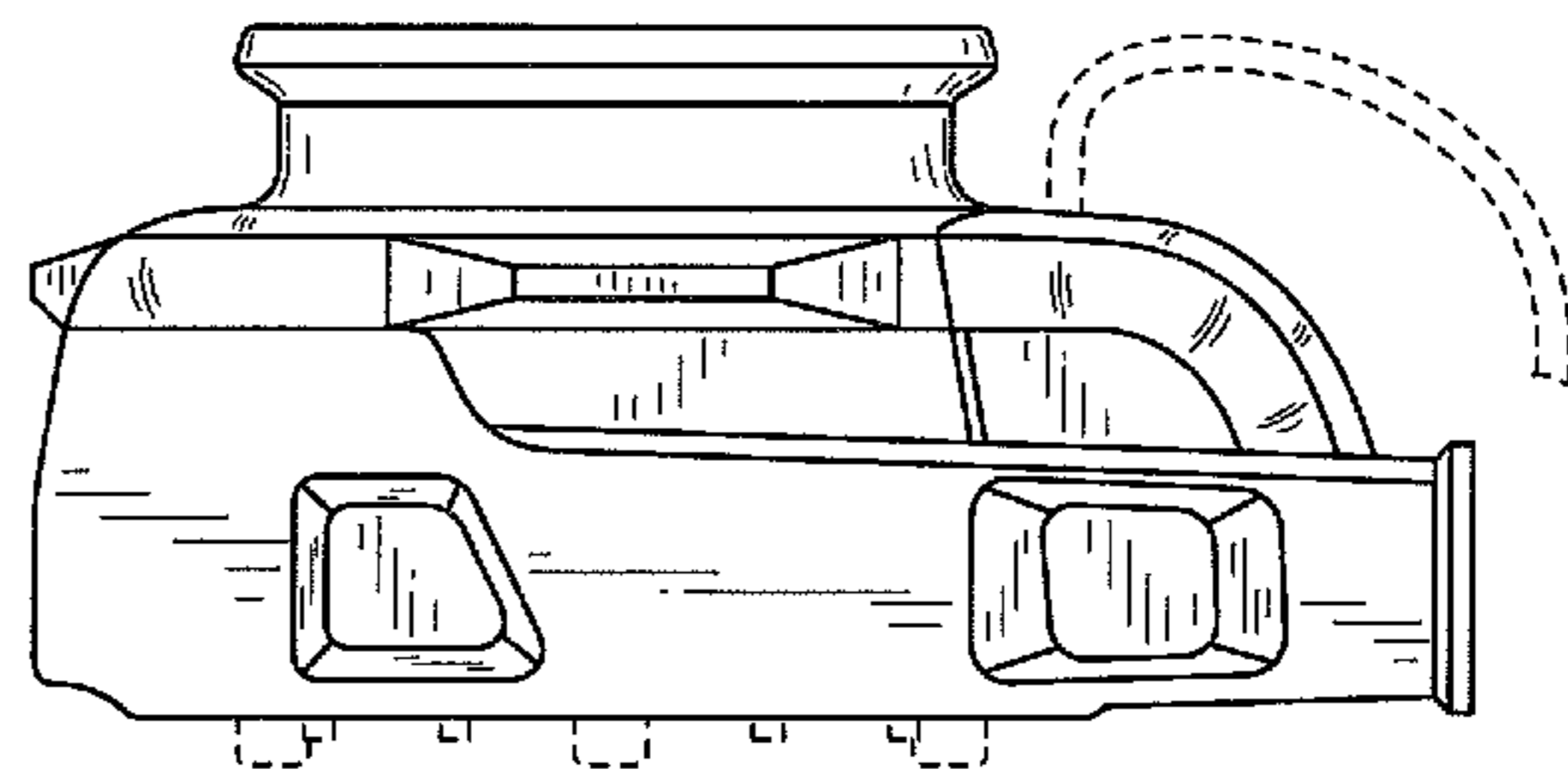
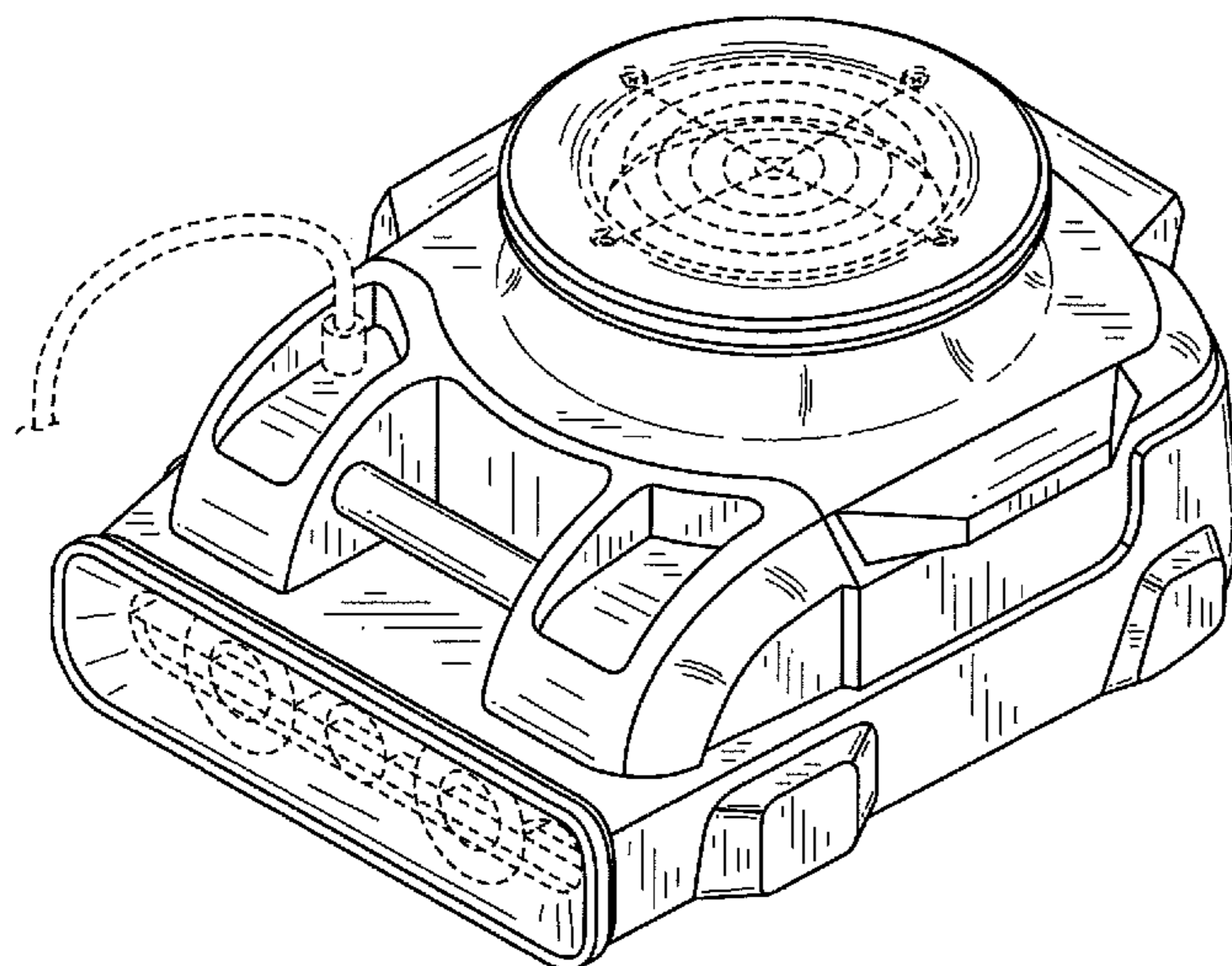
FIG. 5 is a front elevation view thereof;

FIG. 6 is a rear elevation view thereof; and,

FIG. 7 is a bottom plan view thereof.

The broken lines showing environment are for illustrative purposes only and form no part of the claimed design.

1 Claim, 4 Drawing Sheets



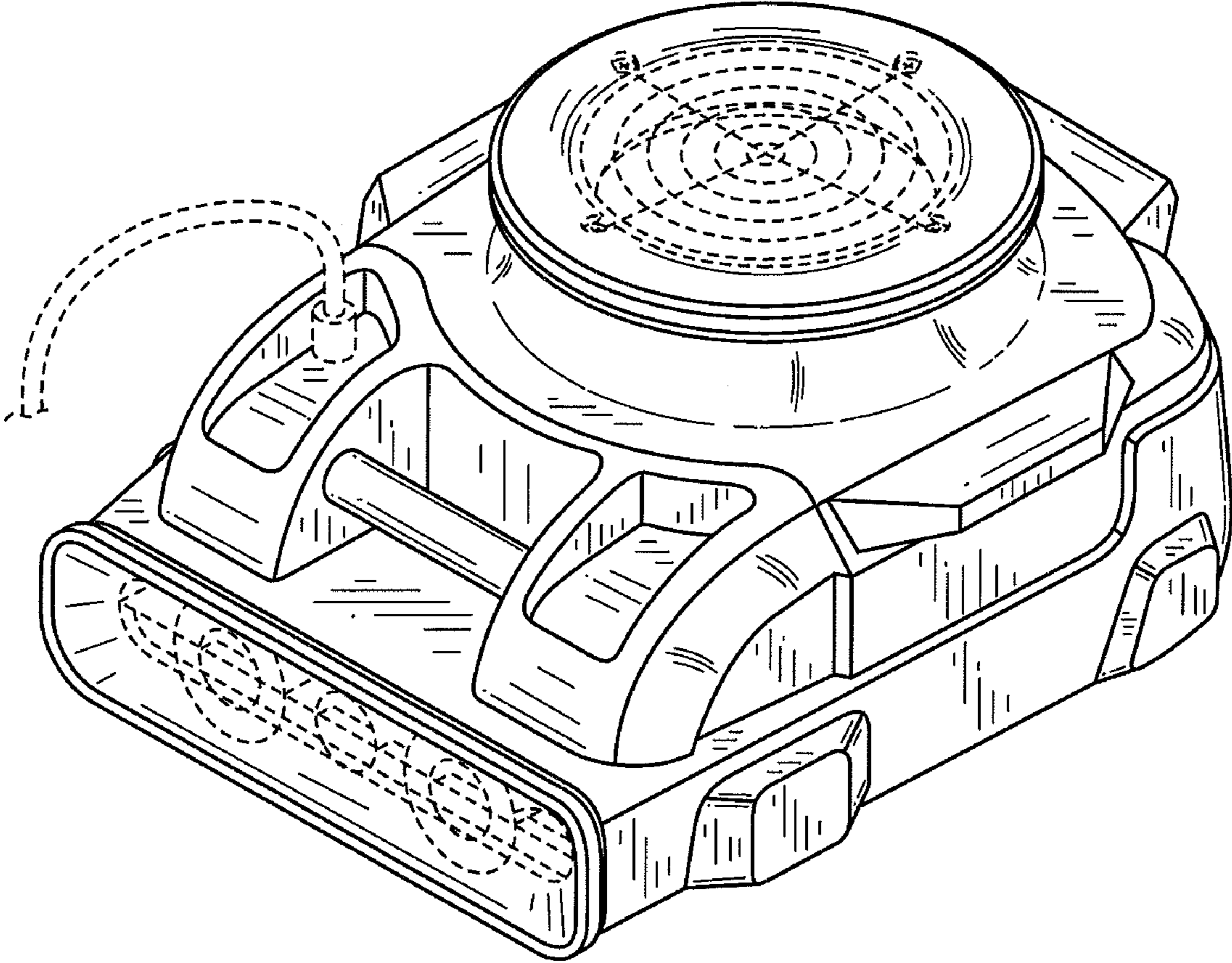


FIG.1

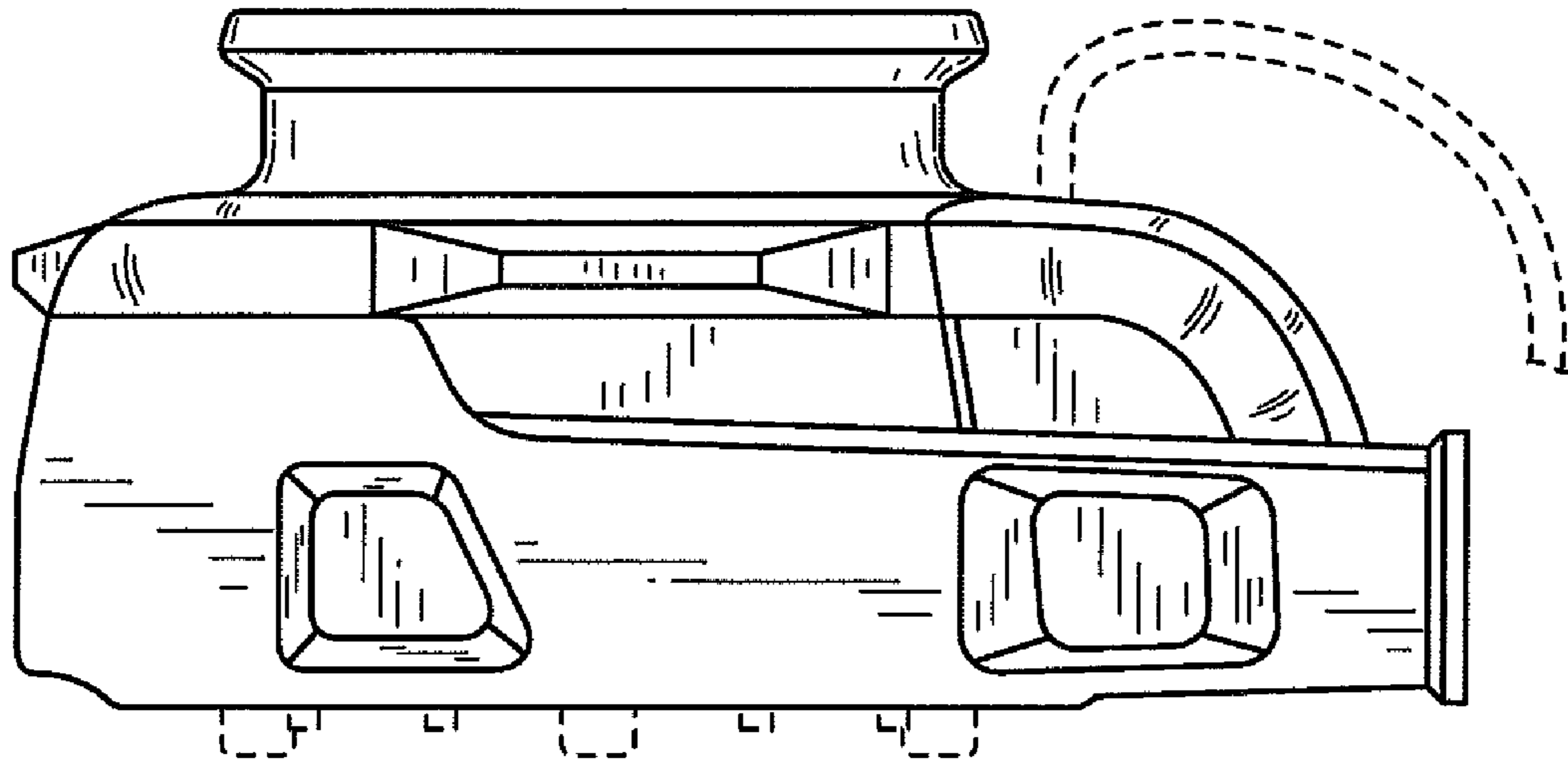


FIG. 2

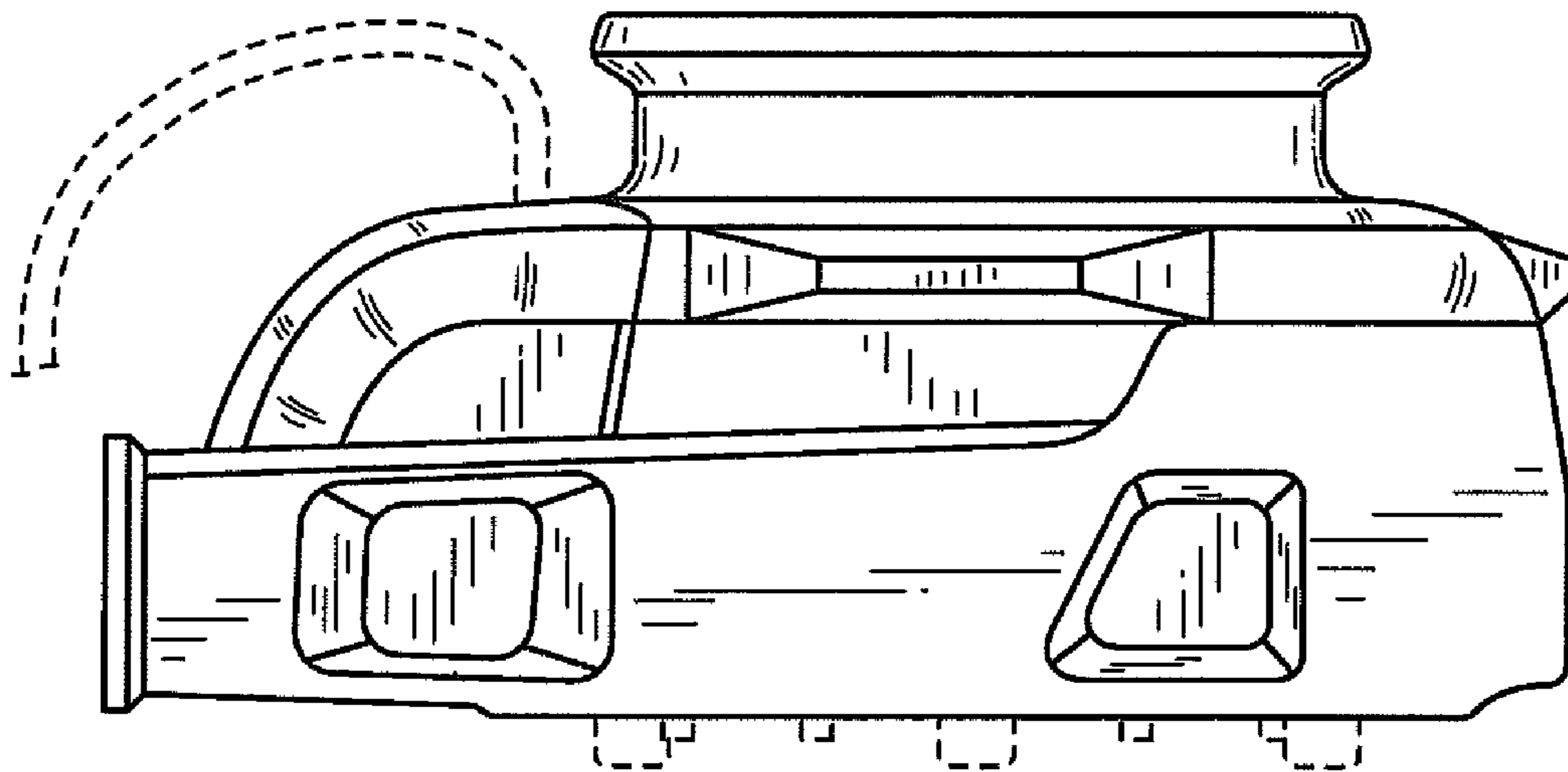


FIG. 3

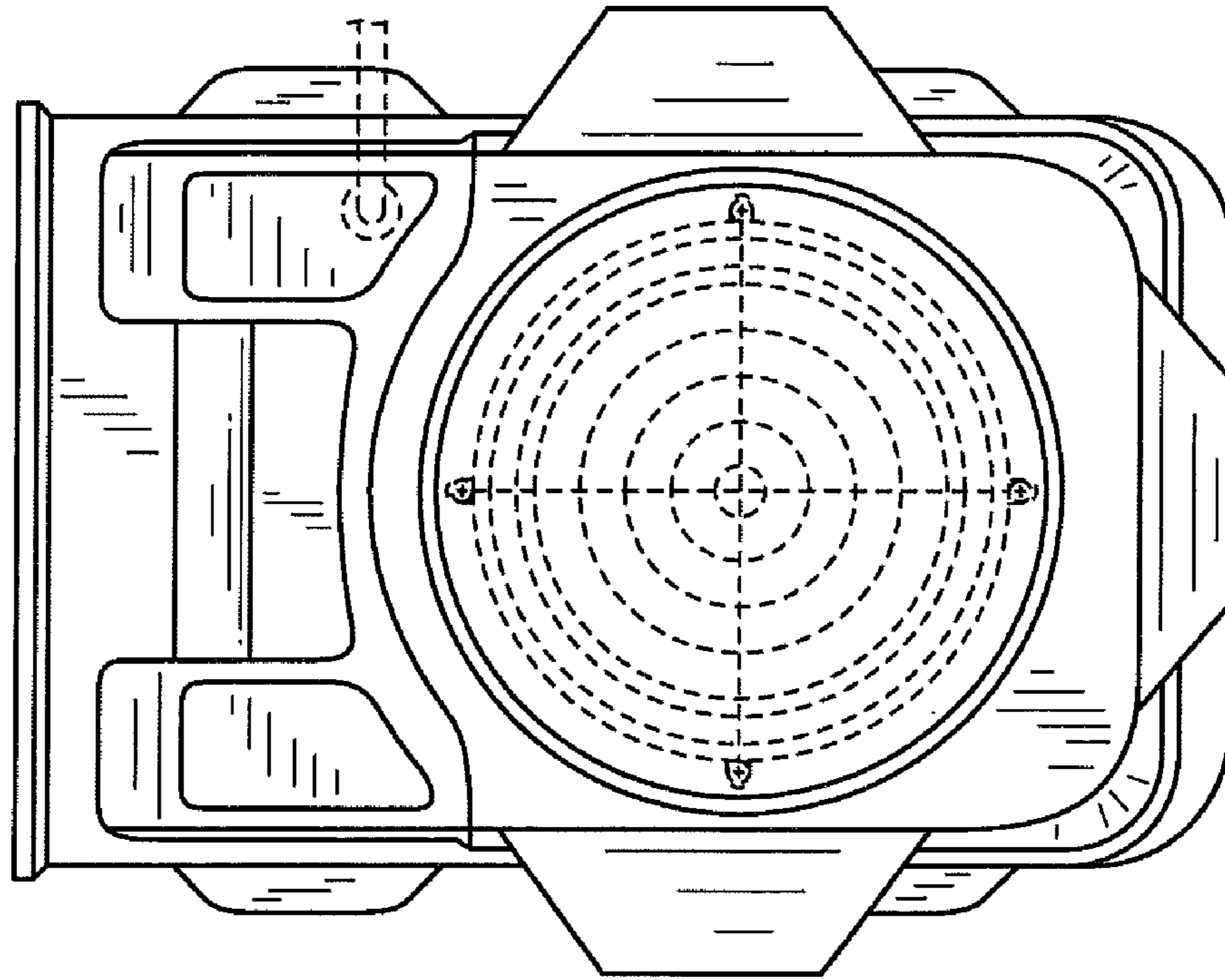


FIG. 4

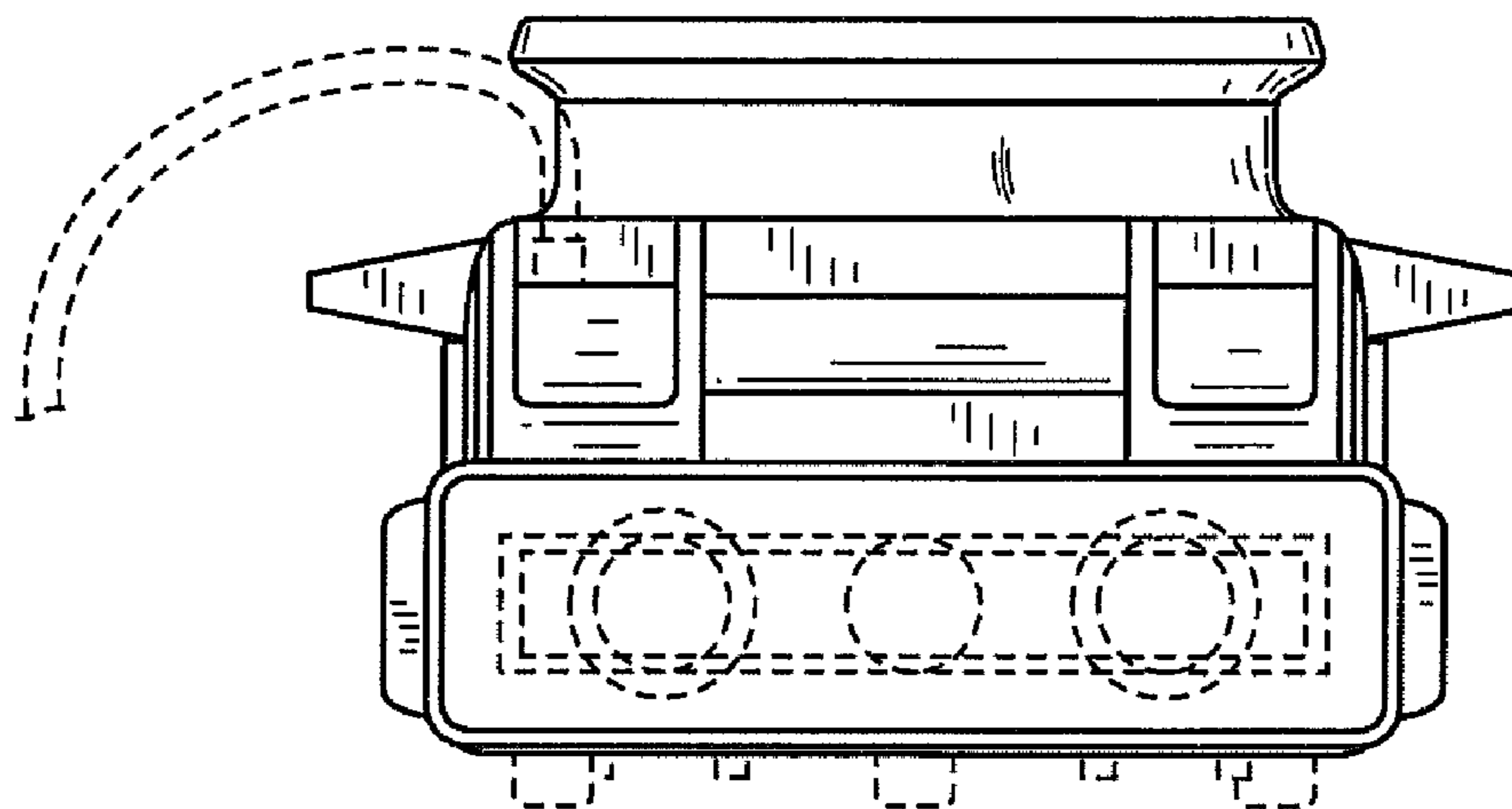


FIG. 5

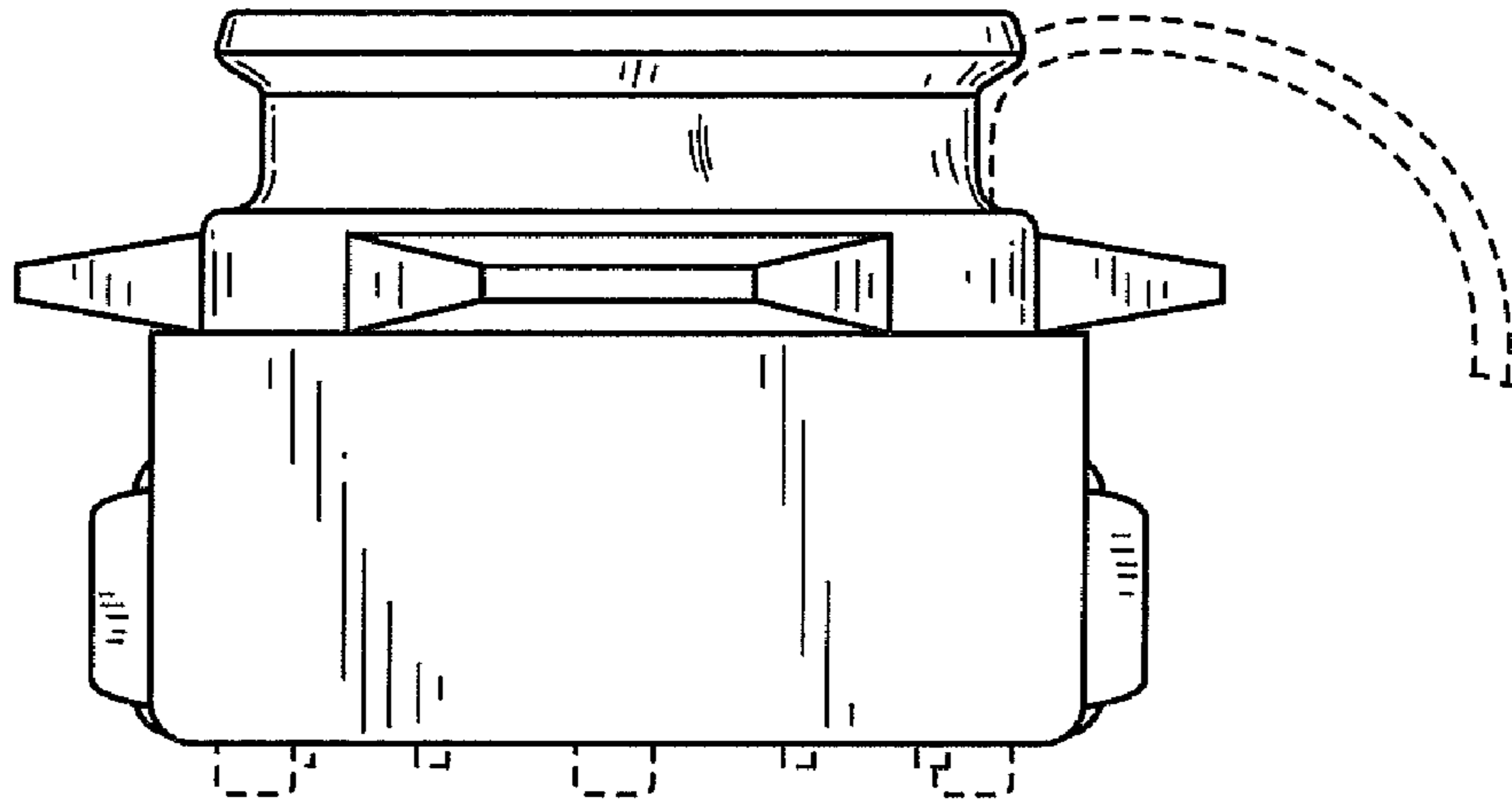


FIG. 6

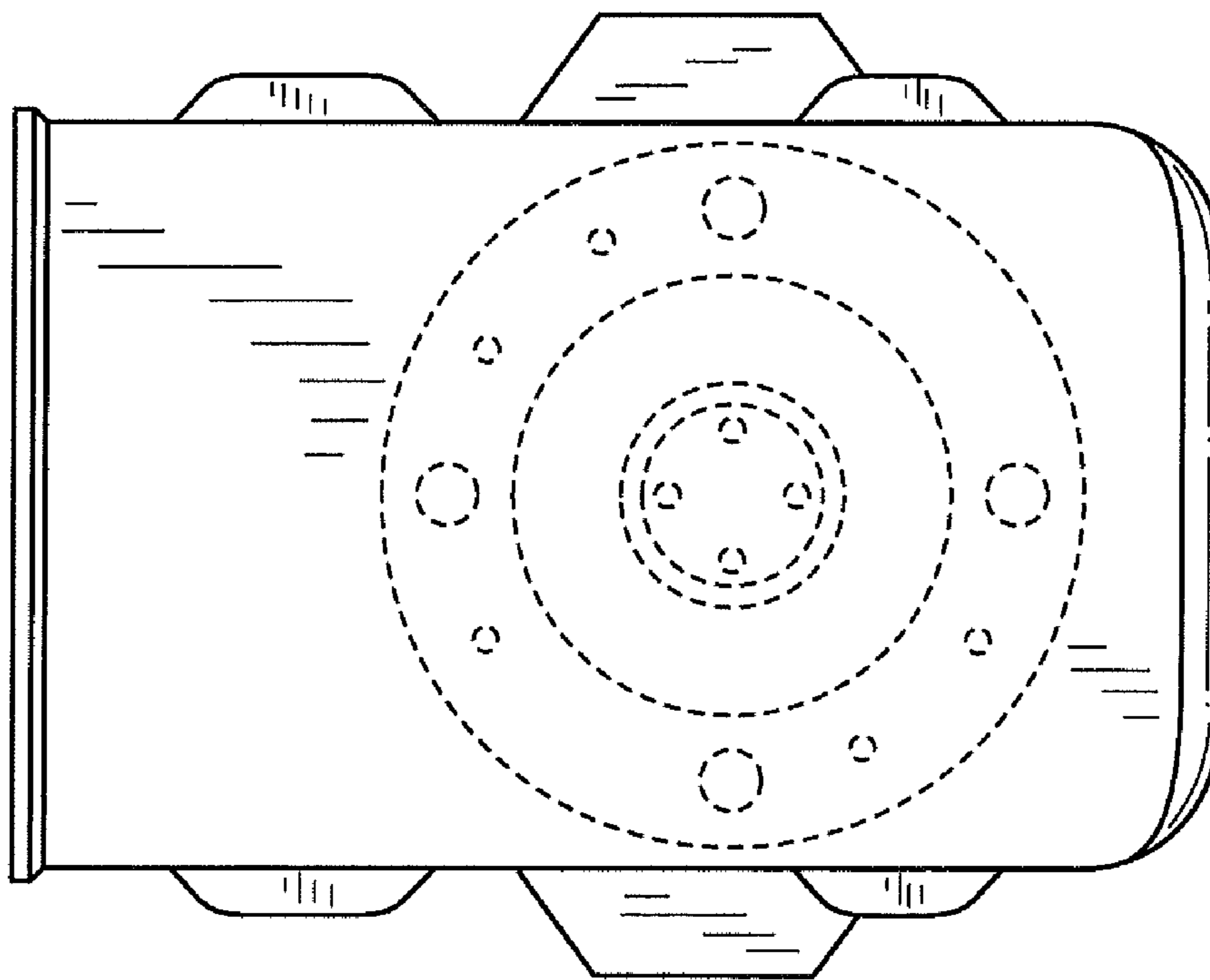


FIG. 7