



US00D619697S

(12) **United States Design Patent**
Uchikawa

(10) **Patent No.:** **US D619,697 S**
(45) **Date of Patent:** **** Jul. 13, 2010**

(54) **AXIAL FAN**

(75) Inventor: **Shinichi Uchikawa**, Tokyo (JP)

(73) Assignee: **Minebea Motor Manufacturing Corporation**, Tokyo (JP)

(**) Term: **14 Years**

(21) Appl. No.: **29/342,455**

(22) Filed: **Aug. 25, 2009**

(30) **Foreign Application Priority Data**

Mar. 5, 2009 (JP) 2009-004901

(51) **LOC (9) Cl.** **23-04**

(52) **U.S. Cl.** **D23/370**

(58) **Field of Classification Search** D23/370,
D23/379, 383; 415/214.1, 213.1, 60, 66,
415/68; 361/695

See application file for complete search history.

(56) **References Cited**

U.S. PATENT DOCUMENTS

D297,761 S * 9/1988 Shiraki D23/379
6,827,549 B1 * 12/2004 Horng et al. 415/68
D516,194 S * 2/2006 Oosawa et al. D23/370
D516,693 S * 3/2006 Oosawa et al. D23/370
D602,142 S * 10/2009 Nishizawa et al. D23/370

FOREIGN PATENT DOCUMENTS

JP A-2000-257597 9/2000
JP A-2004-36569 2/2004

JP A-2005-16323 1/2005
JP A-2006-105139 4/2006
JP A-2006-322451 11/2006
JP A-2008-312272 12/2008
JP A-2009-103079 5/2009

* cited by examiner

Primary Examiner—Lisa P Lichtenstein

(74) *Attorney, Agent, or Firm*—Oliff & Berridge, PLC

(57) **CLAIM**

The ornamental design for an axial fan, as shown and described.

DESCRIPTION

FIG. 1 is a perspective view of the top, front and left side of an axial fan showing my new design;

FIG. 2 is a perspective view of the top, rear and left side thereof;

FIG. 3 is a front view thereof;

FIG. 4 is a rear view thereof;

FIG. 5 is a left side view thereof;

FIG. 6 is a right side view thereof;

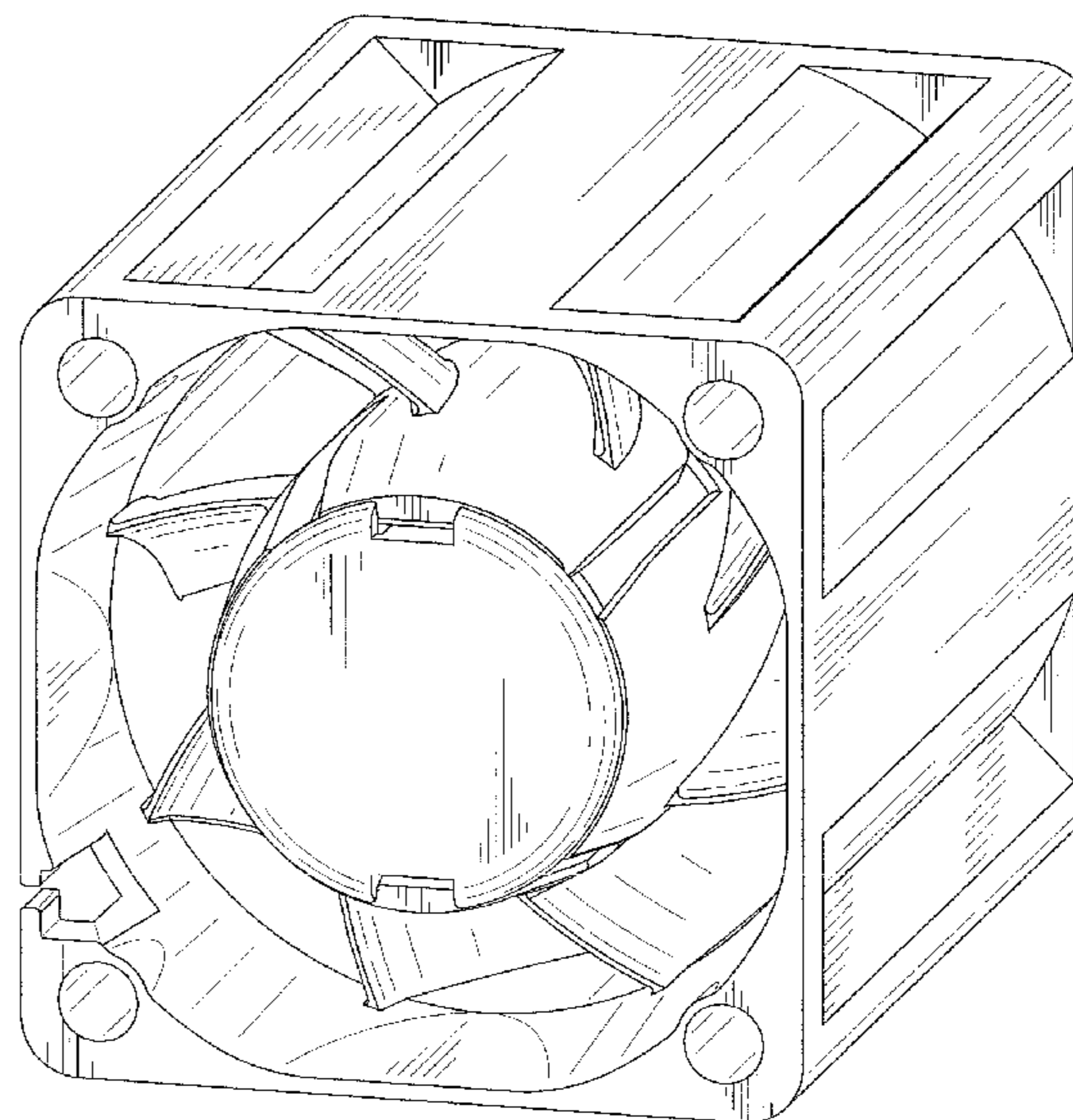
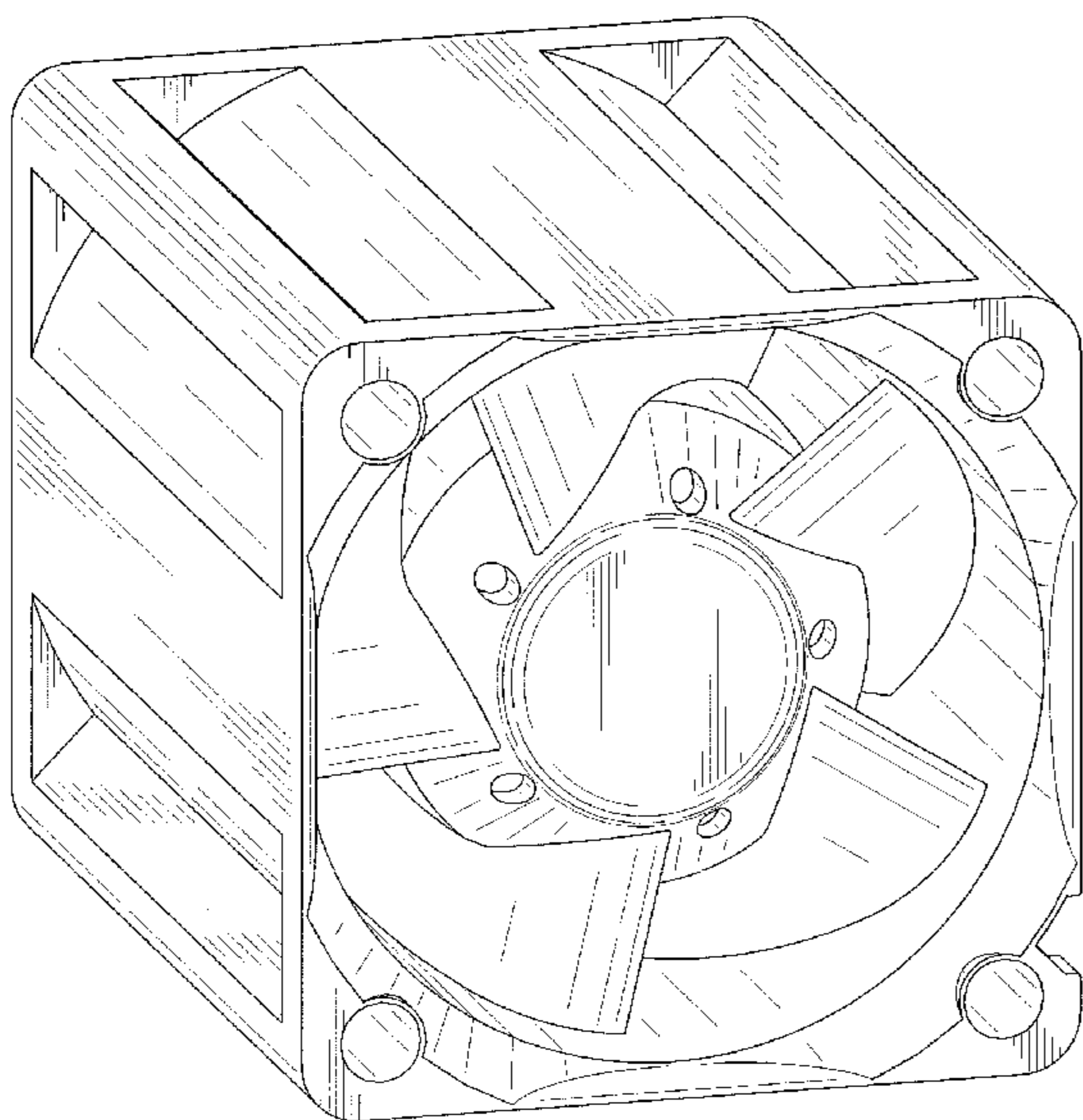
FIG. 7 is a top plan view thereof;

FIG. 8 is a bottom view thereof; and,

FIG. 9 is a cross sectional view at 9-9 of FIG. 3 thereof.

The portions of the article in broken lines are shown for illustrative purposes only and form no part of the claimed design.

1 Claim, 8 Drawing Sheets



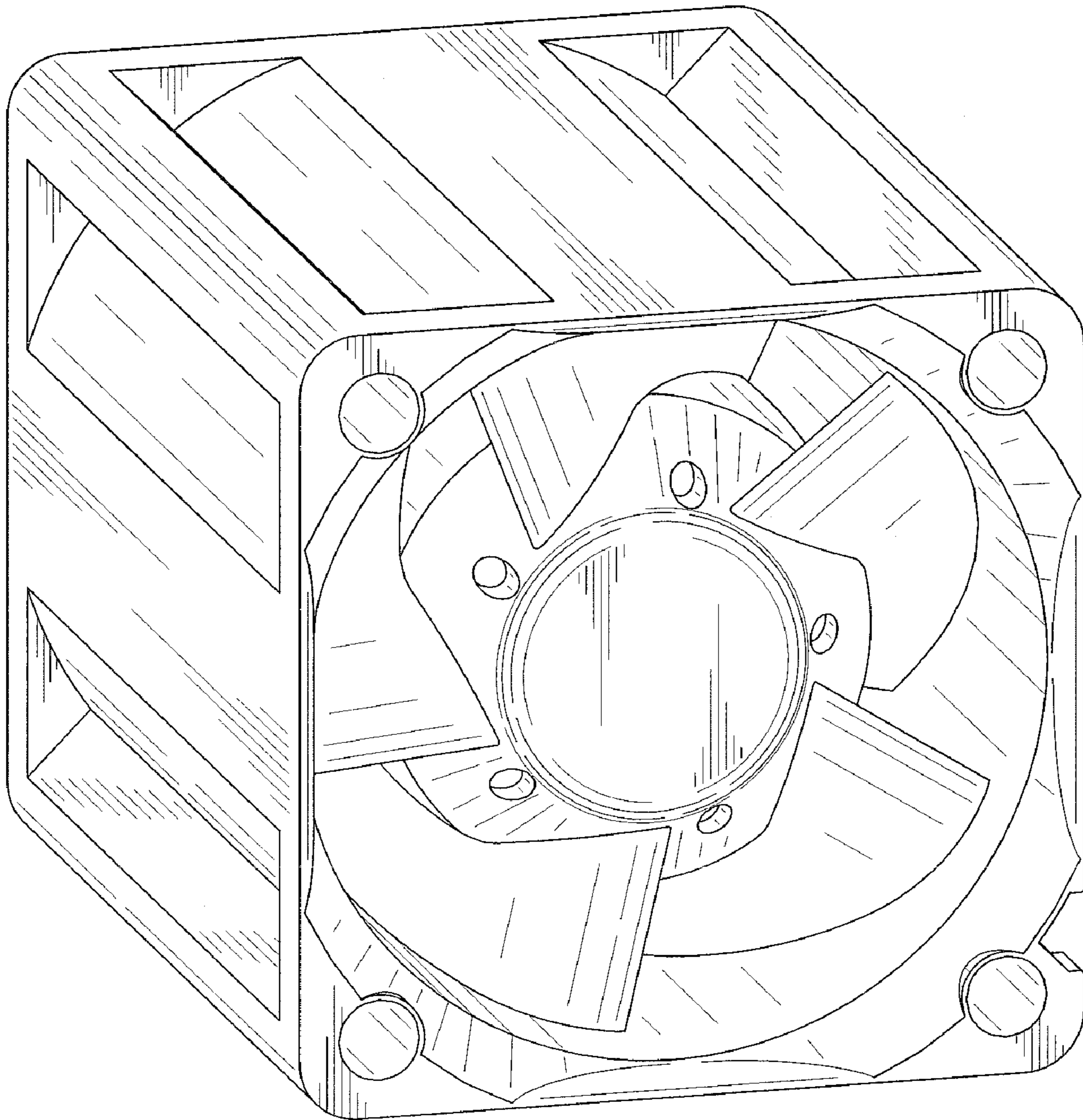


FIG. 1

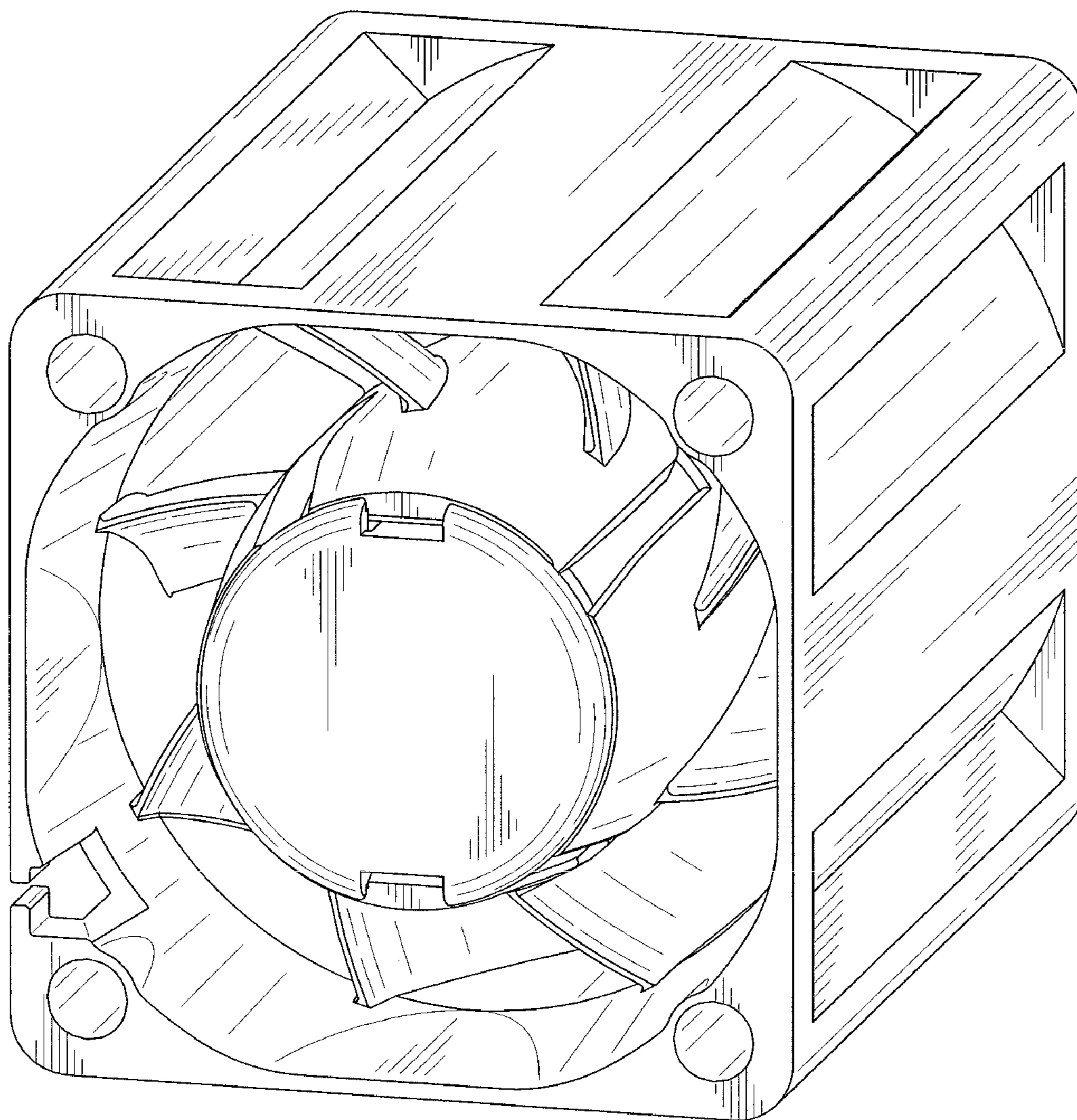


FIG. 2

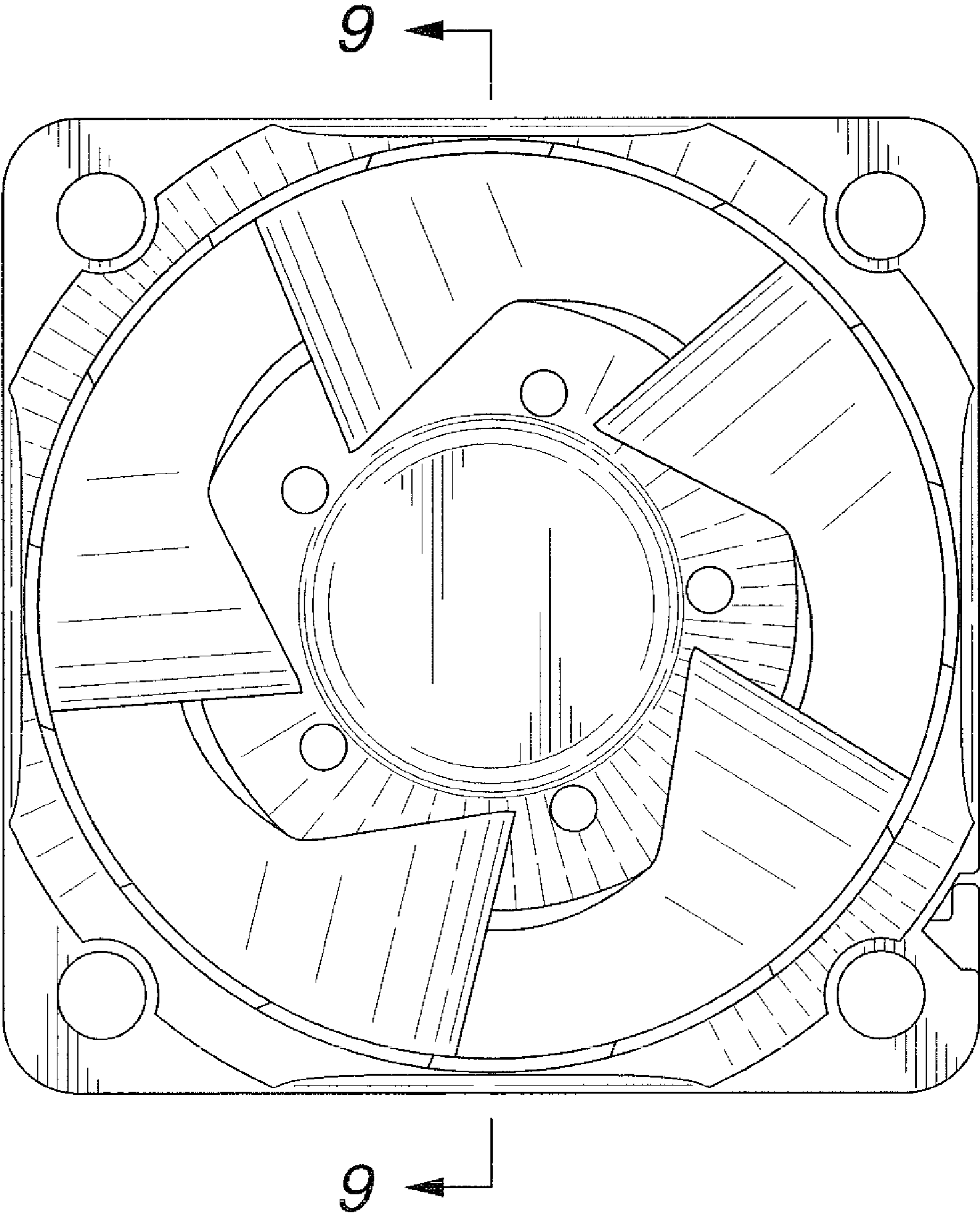


FIG. 3

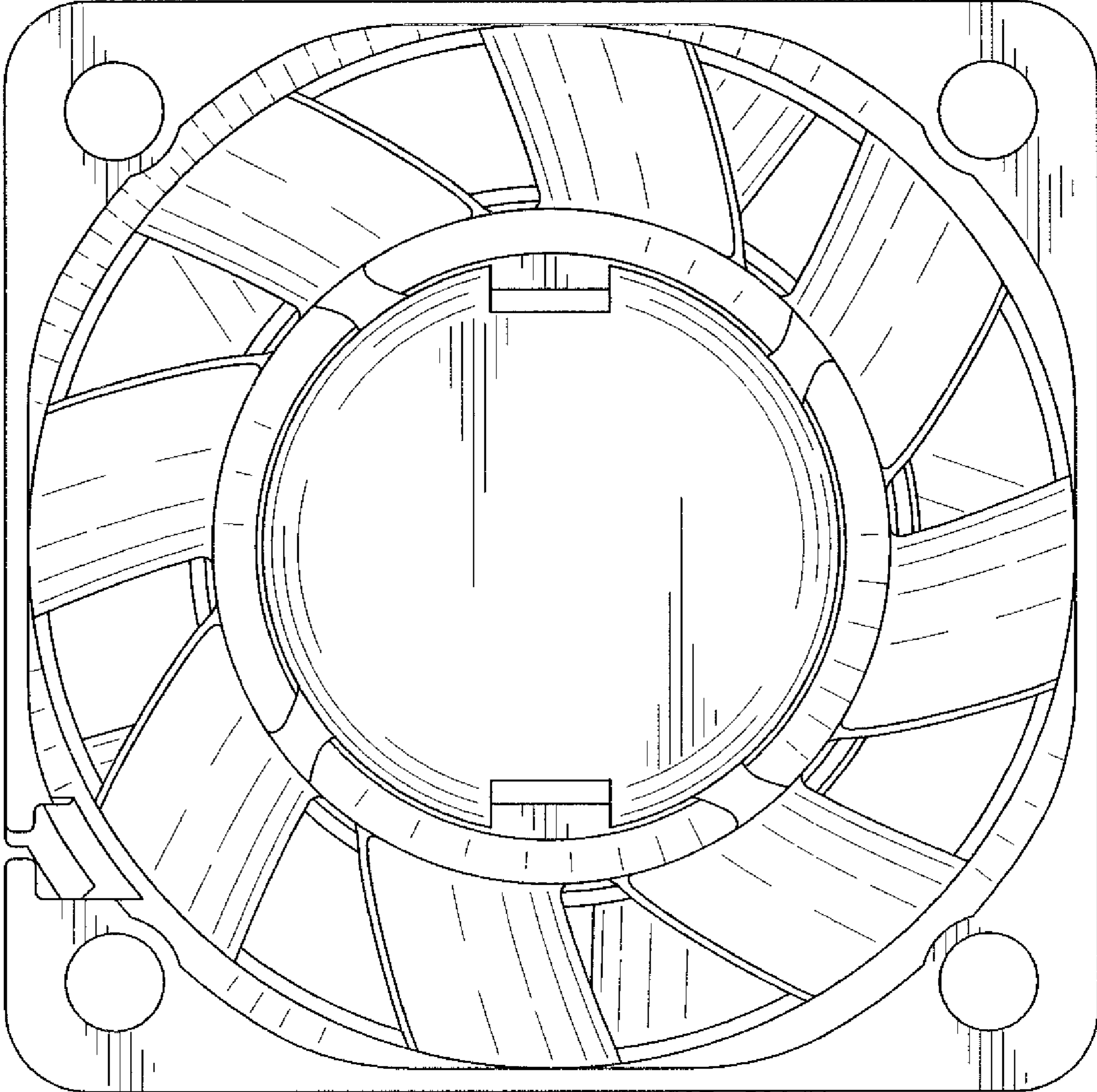


FIG. 4



FIG. 5



FIG. 6

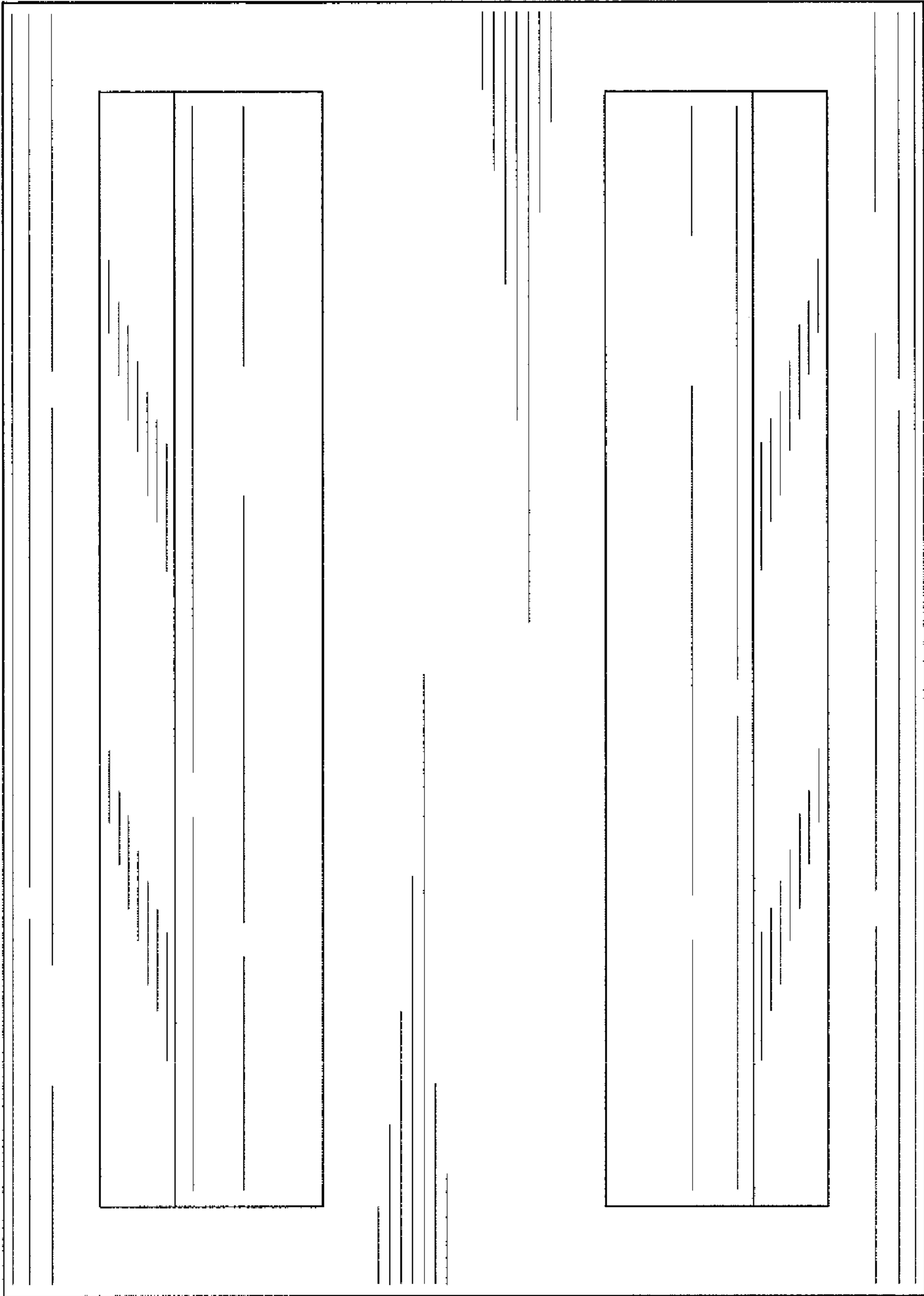


FIG. 7

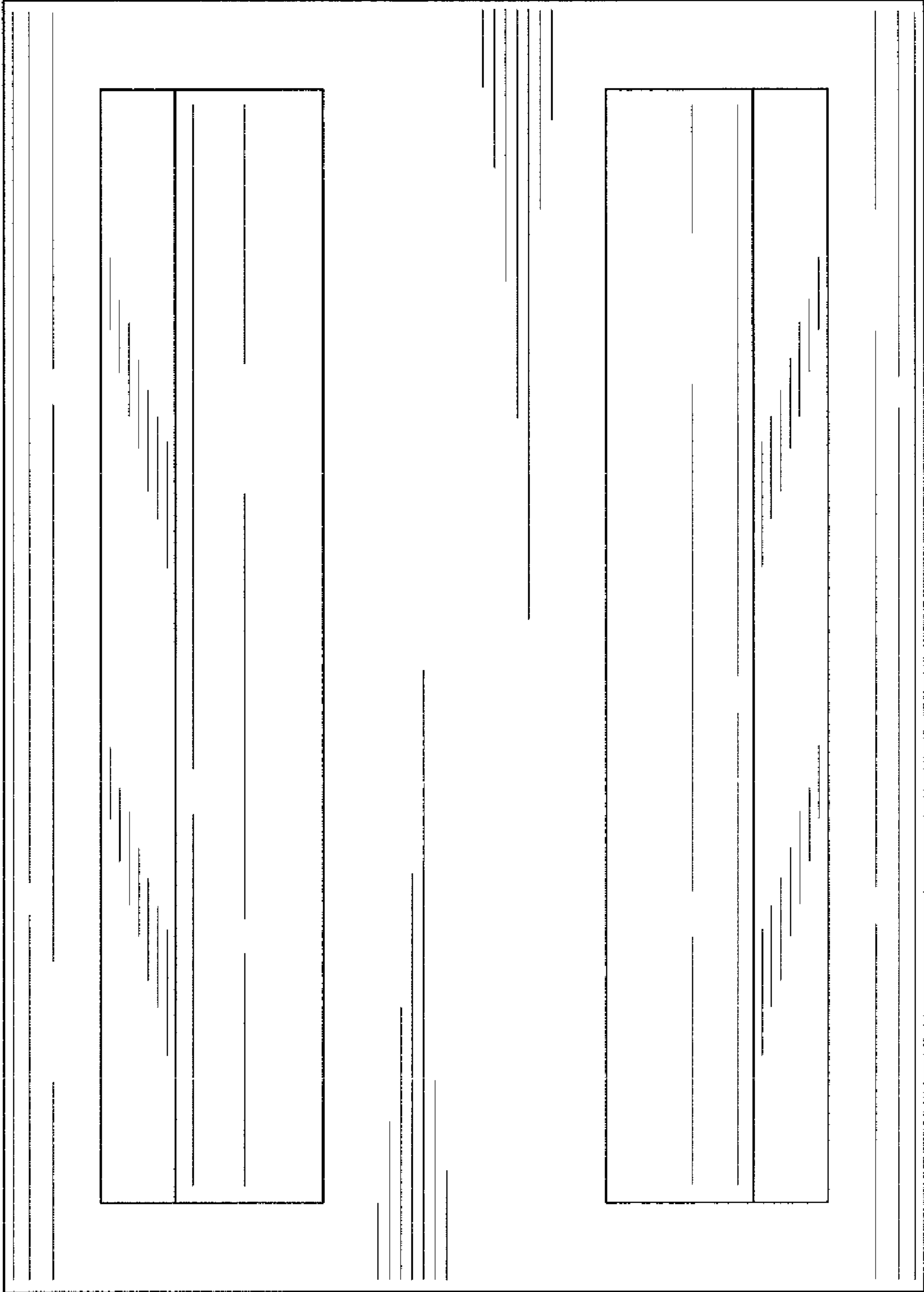


FIG. 8

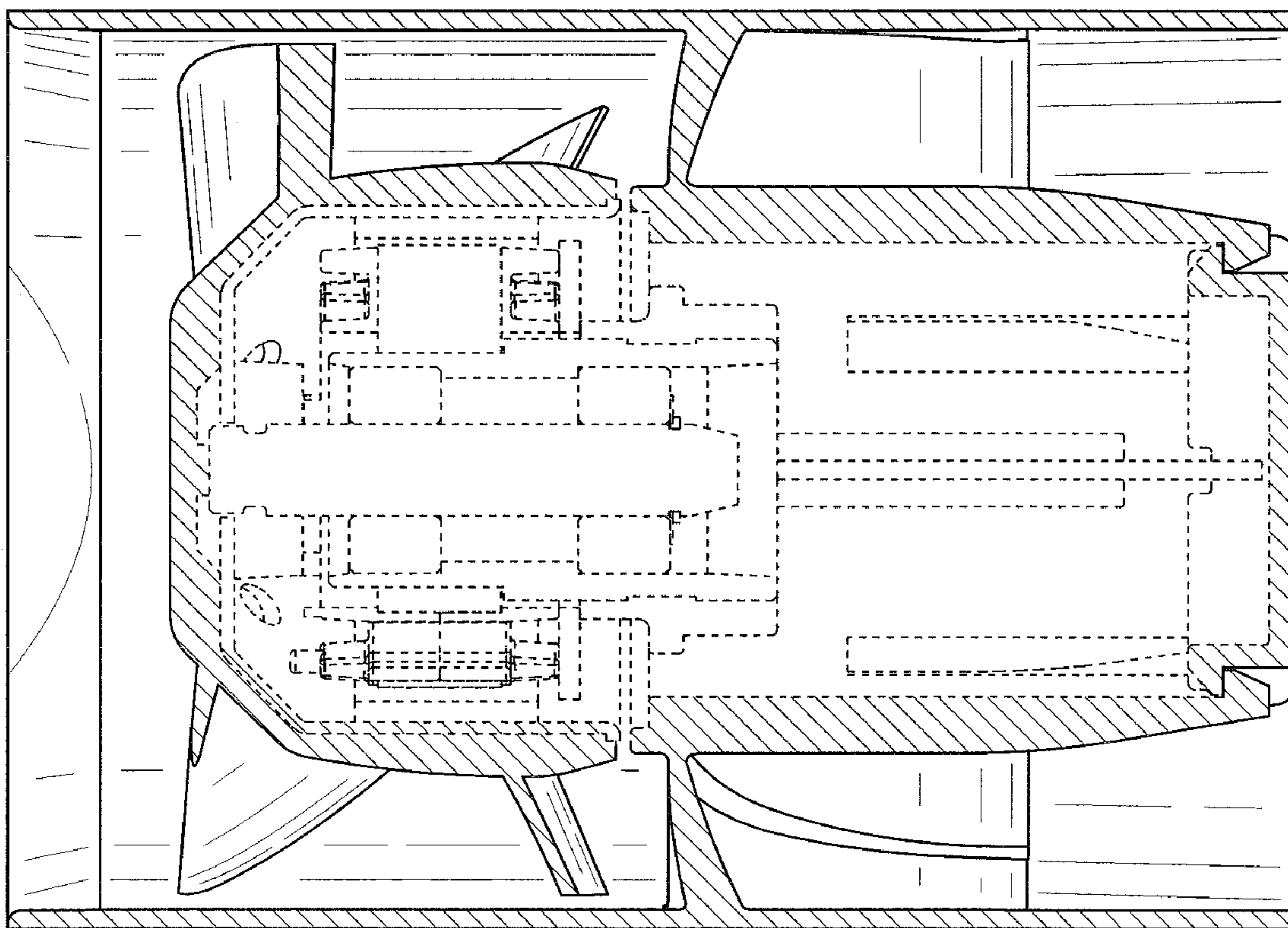


FIG. 9