

US00D619695S

(12) **United States Design Patent**  
**England**

(10) **Patent No.:** **US D619,695 S**  
(45) **Date of Patent:** **\*\* Jul. 13, 2010**

(54) **SCENT DIFFUSER**

(57) **CLAIM**

(75) Inventor: **Wendy K. England**, Louisville, CO  
(US)

The ornamental design for a scent diffuser, as shown and described.

(73) Assignee: **Daisy Paw, LLC**, Louisville, CO (US)

**DESCRIPTION**

(\*\*) Term: **14 Years**

FIG. 1 is a top plan view of one embodiment of a scent diffuser.

(21) Appl. No.: **29/351,524**

FIG. 2 is a bottom plan view of FIG. 1.

(22) Filed: **Dec. 7, 2009**

FIG. 3 is an elevation view of FIG. 1.

(51) **LOC (9) Cl.** ..... **28-99**

FIG. 4 is an inverted view of FIG. 3.

(52) **U.S. Cl.** ..... **D23/366**

FIGS. 5, 6 are end views of FIG. 1.

(58) **Field of Classification Search** ..... D23/355-369;  
D28/5, 6; 261/DIG. 17, DIG. 42, DIG. 65,  
261/DIG. 88, DIG. 89; 392/386, 390, 391,  
392/392, 394, 395, 389, 393; 239/34, 35,  
239/43-45, 53, 56, 57, 60, 326, 42, 50, 55

FIG. 7 is a top perspective view of FIG. 1.

See application file for complete search history.

FIG. 8 is a top perspective view of the device of FIG. 1 as assembled.

(56) **References Cited**

FIG. 9 is a top plan view of another embodiment of a scent diffuser.

**U.S. PATENT DOCUMENTS**

FIG. 10 is a bottom plan view of FIG. 9.

1,640,272	A *	8/1927	Gotham	.....	239/60
2,720,013	A *	10/1955	Clarke	.....	43/129
2,878,061	A *	3/1959	Saeks	.....	239/60
4,722,477	A *	2/1988	Floyd	.....	239/36
D324,910	S *	3/1992	Portis	.....	D23/366
D329,282	S *	9/1992	Petersimes, Sr. et al.	...	D23/366
D334,800	S *	4/1993	Portis	.....	D23/366
D382,050	S *	8/1997	Hayes	.....	D23/366
5,735,460	A *	4/1998	Eisenbraun	.....	239/34
D474,267	S *	5/2003	Mosley, Sr.	.....	D23/366
6,613,287	B1 *	9/2003	McElligott	.....	422/124
D503,467	S *	3/2005	Flashinski et al.	.....	D23/366

FIG. 11 is an elevation view of FIG. 9.

FIG. 12 is an inverted view of FIG. 11.

FIGS. 13, 14 are end views of FIG. 9.

FIG. 15 is a top perspective view of FIG. 9.

FIG. 16 is a top perspective view of the device of FIG. 9 as assembled.

\* cited by examiner

FIG. 17 is a top plan view of another embodiment of a scent diffuser.

FIG. 18 is a bottom plan view of FIG. 17.

FIG. 19 is an elevation view of FIG. 17.

FIG. 20 is an inverted view of FIG. 19.

FIGS. 21, 22 are end views of FIG. 17.

FIG. 23 is a top perspective view of FIG. 17; and,

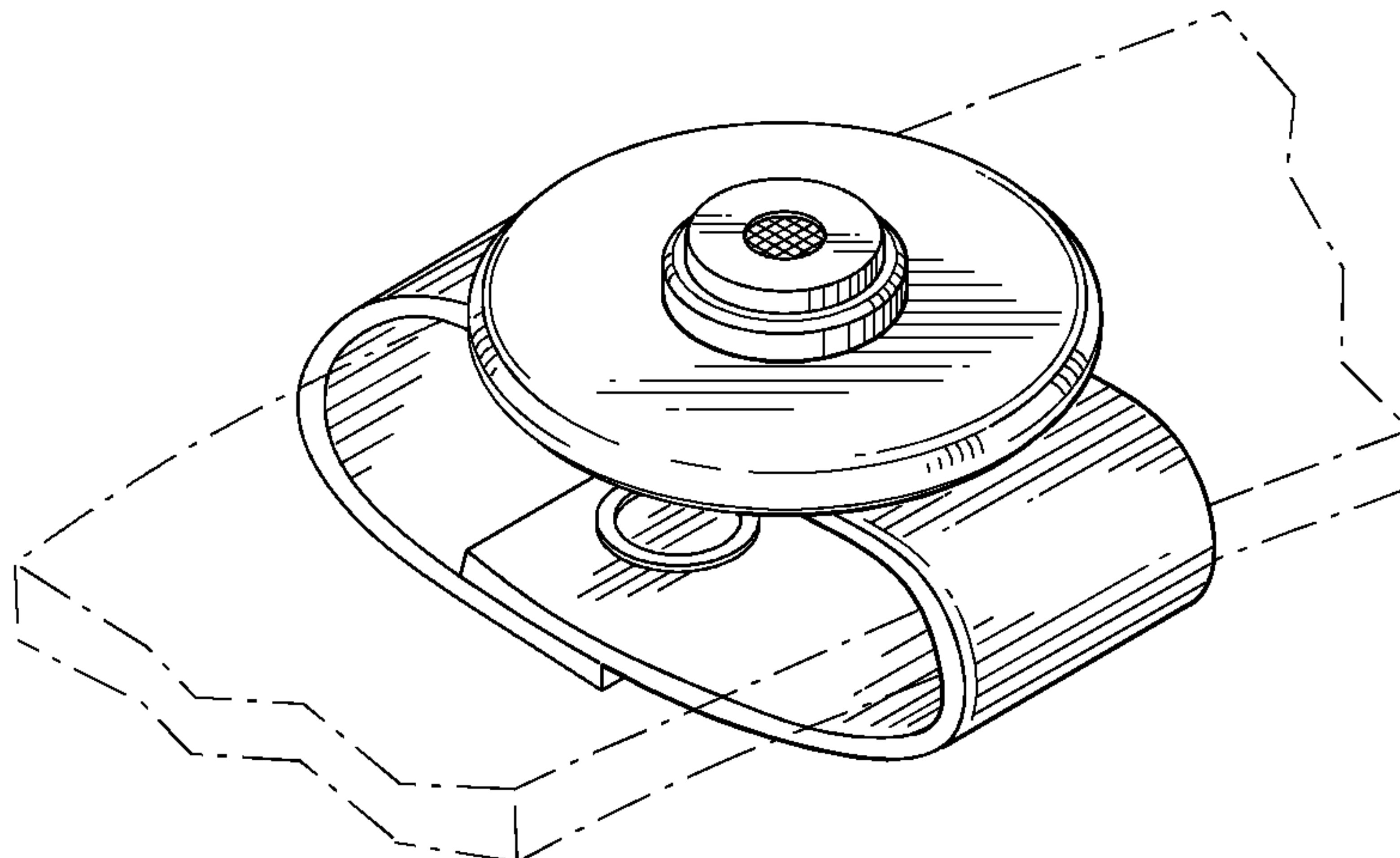
FIG. 24 is a top perspective view of the device of FIG. 17 as assembled.

*Primary Examiner*—Sandra Snapp

The broken lines shown in the drawings illustrate environment and form no part of the claimed design.

(74) *Attorney, Agent, or Firm*—Aileen Law; Sara A. Gossman; A Law Firm, P.C.

**1 Claim, 3 Drawing Sheets**



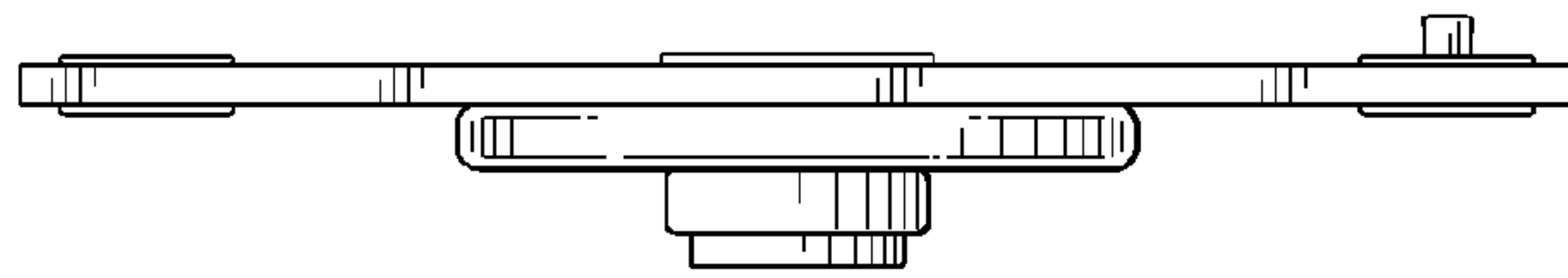


FIG. 4

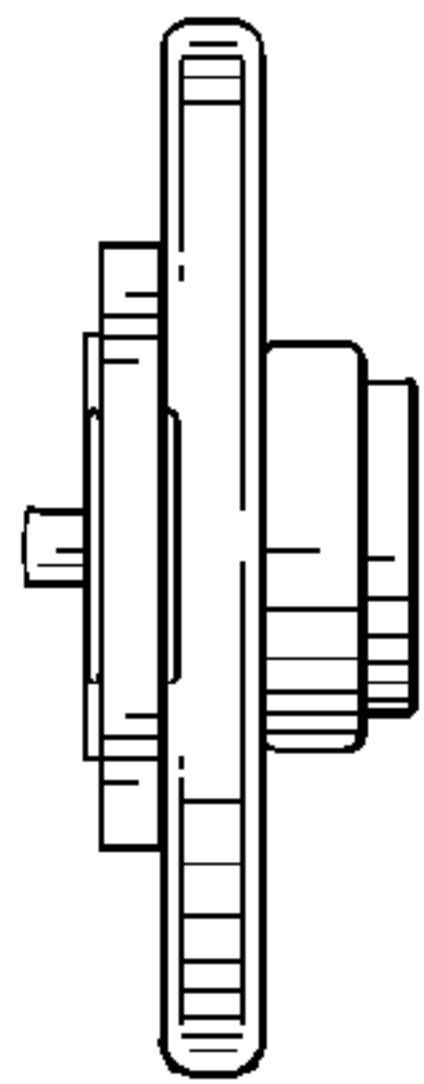


FIG. 5

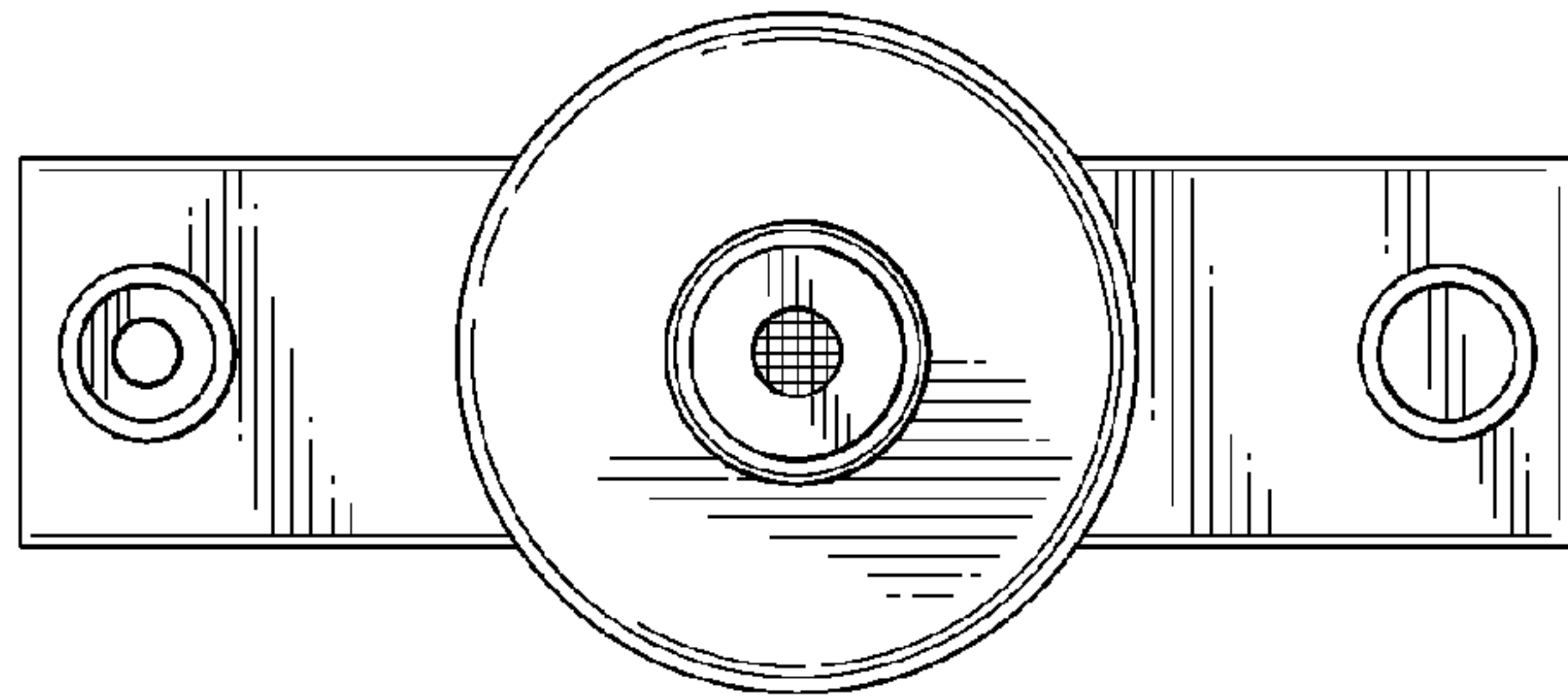


FIG. 1

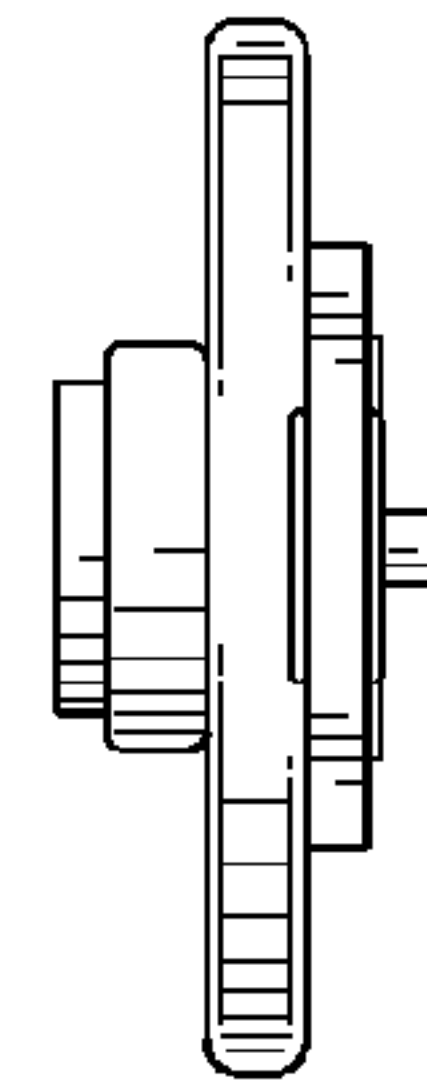


FIG. 6

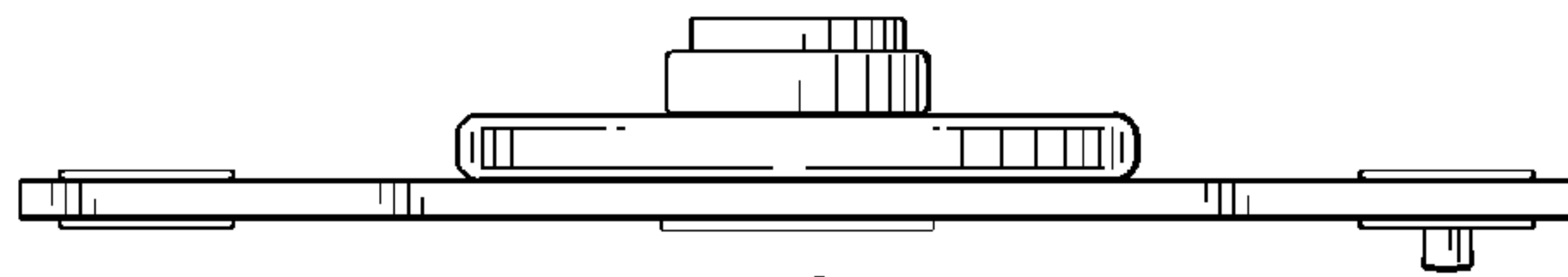


FIG. 3

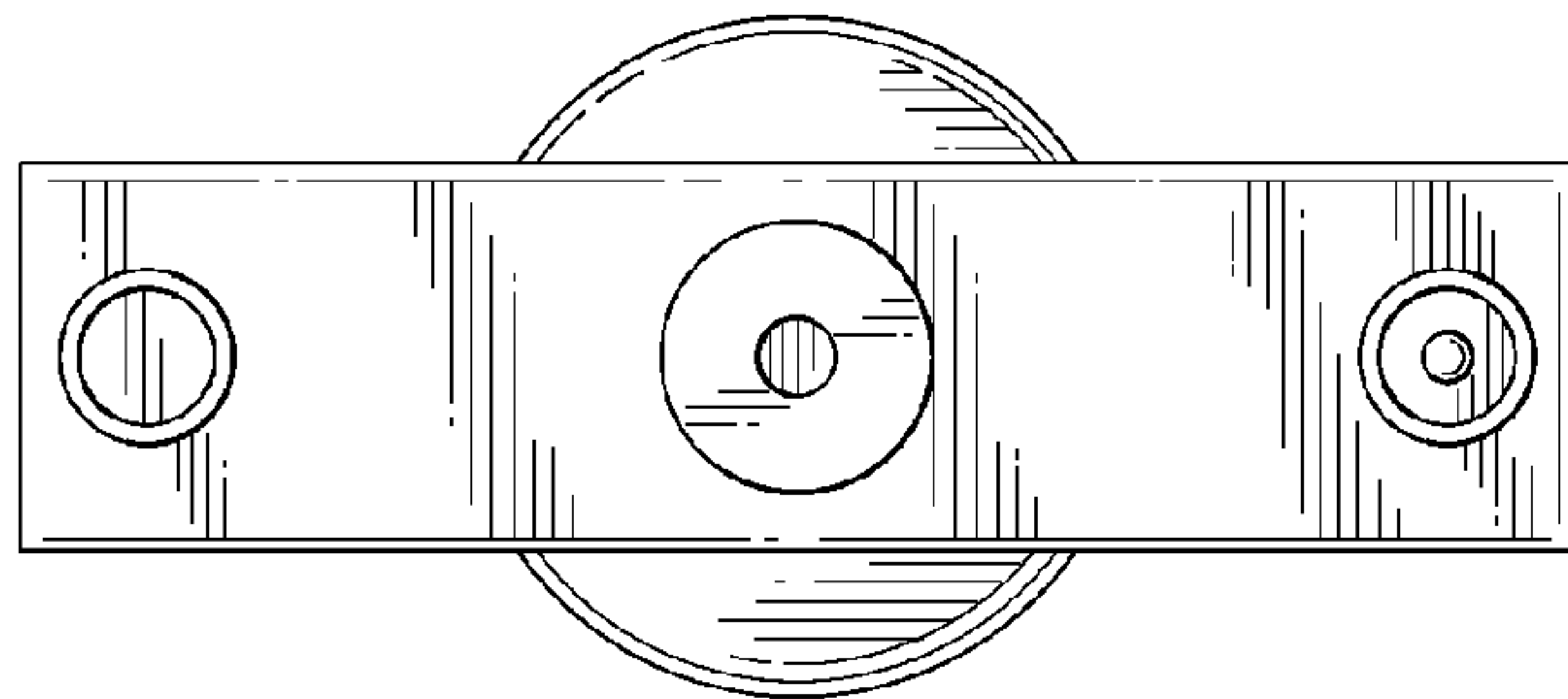


FIG. 2

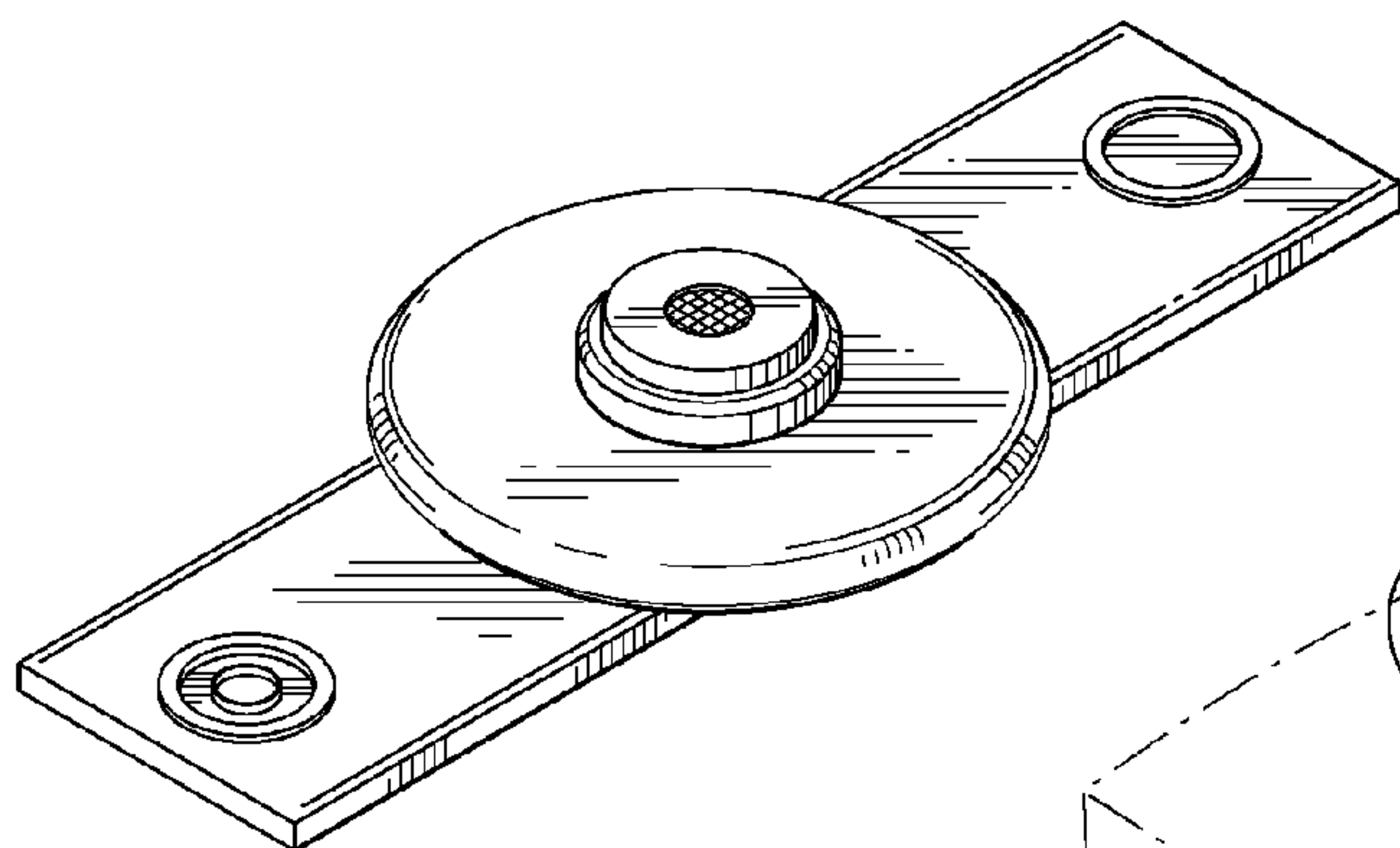


FIG. 7

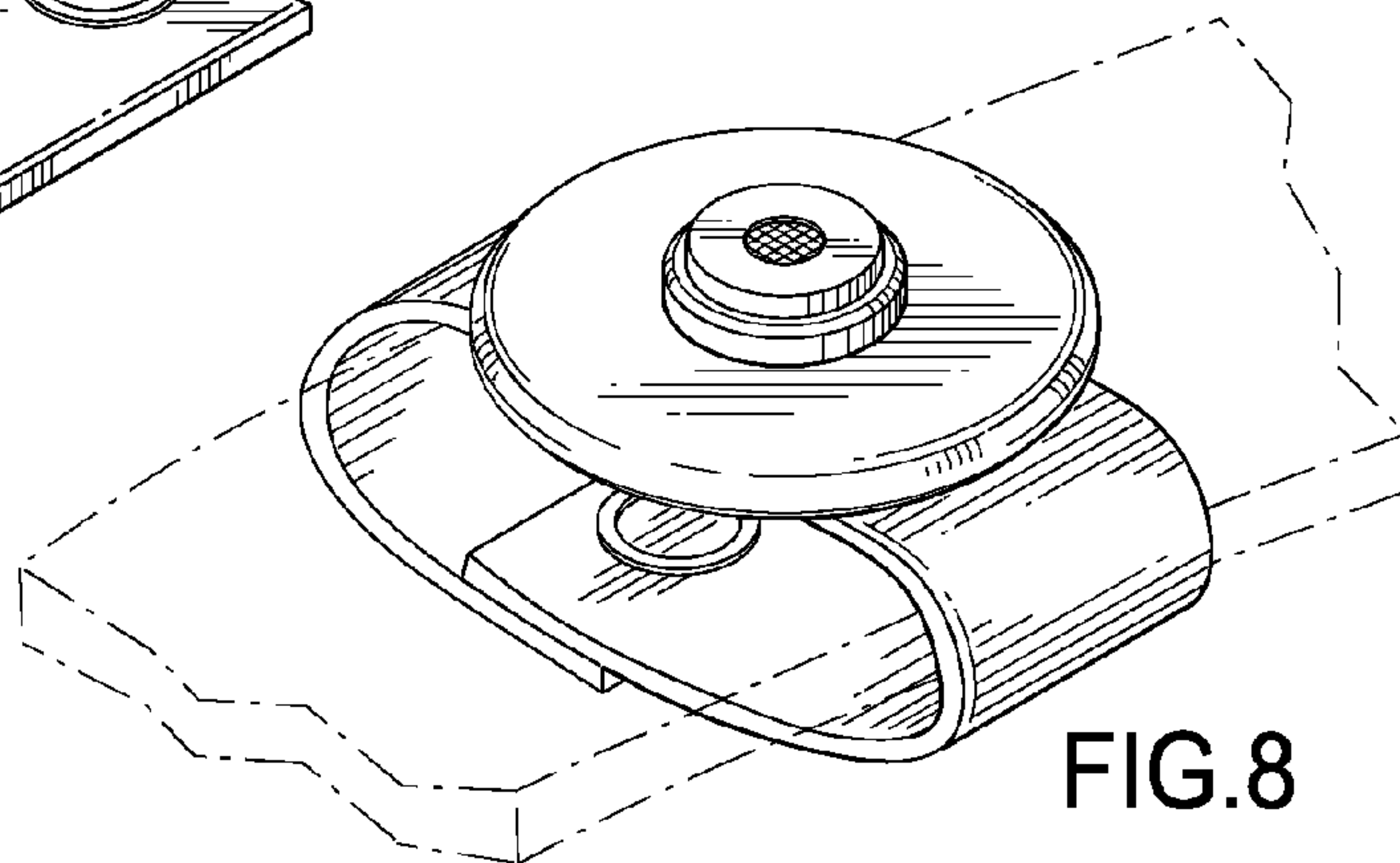


FIG. 8

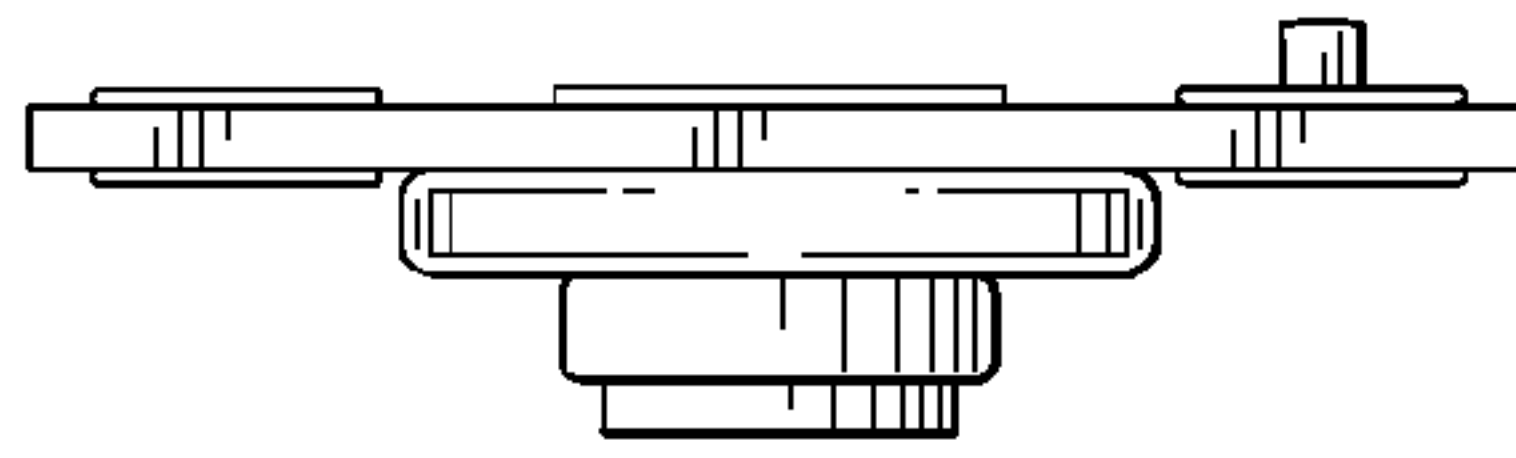


FIG. 12

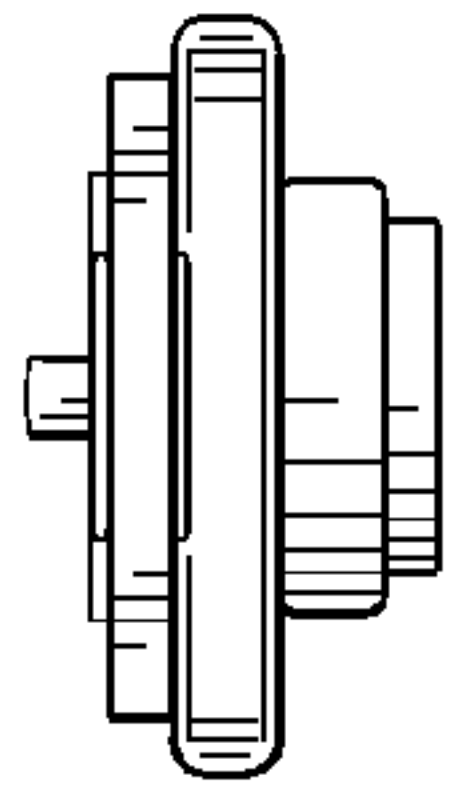


FIG. 13

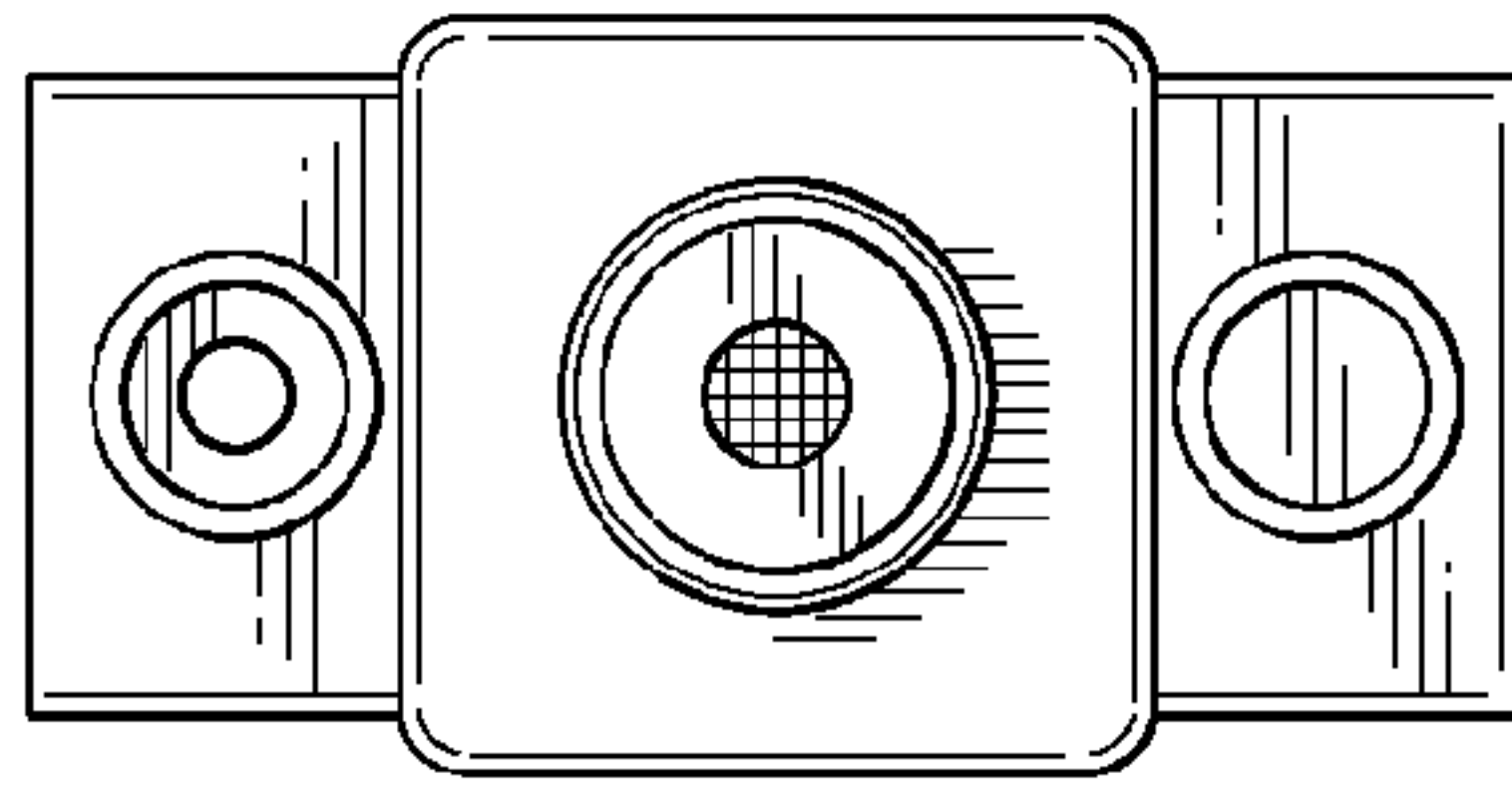


FIG. 9

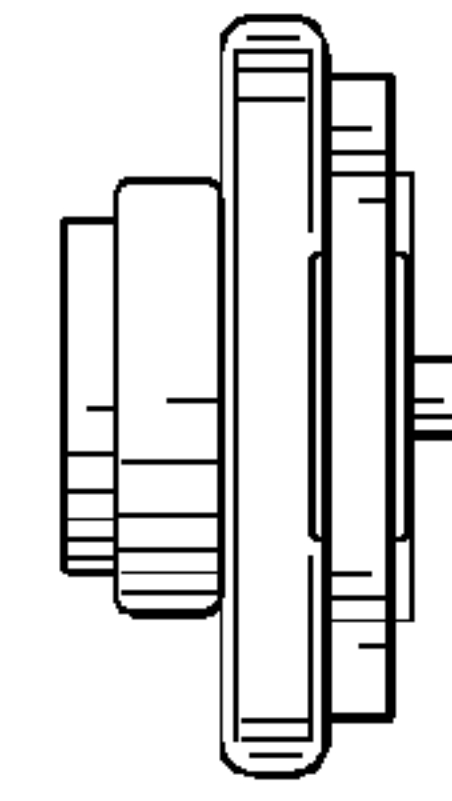


FIG. 14

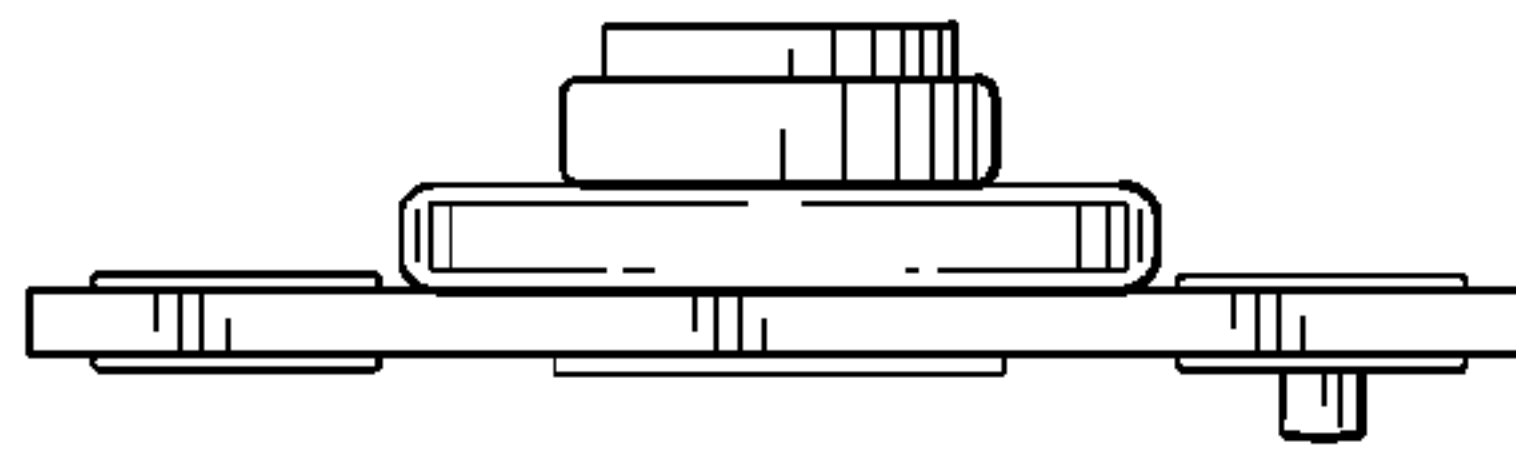


FIG. 11

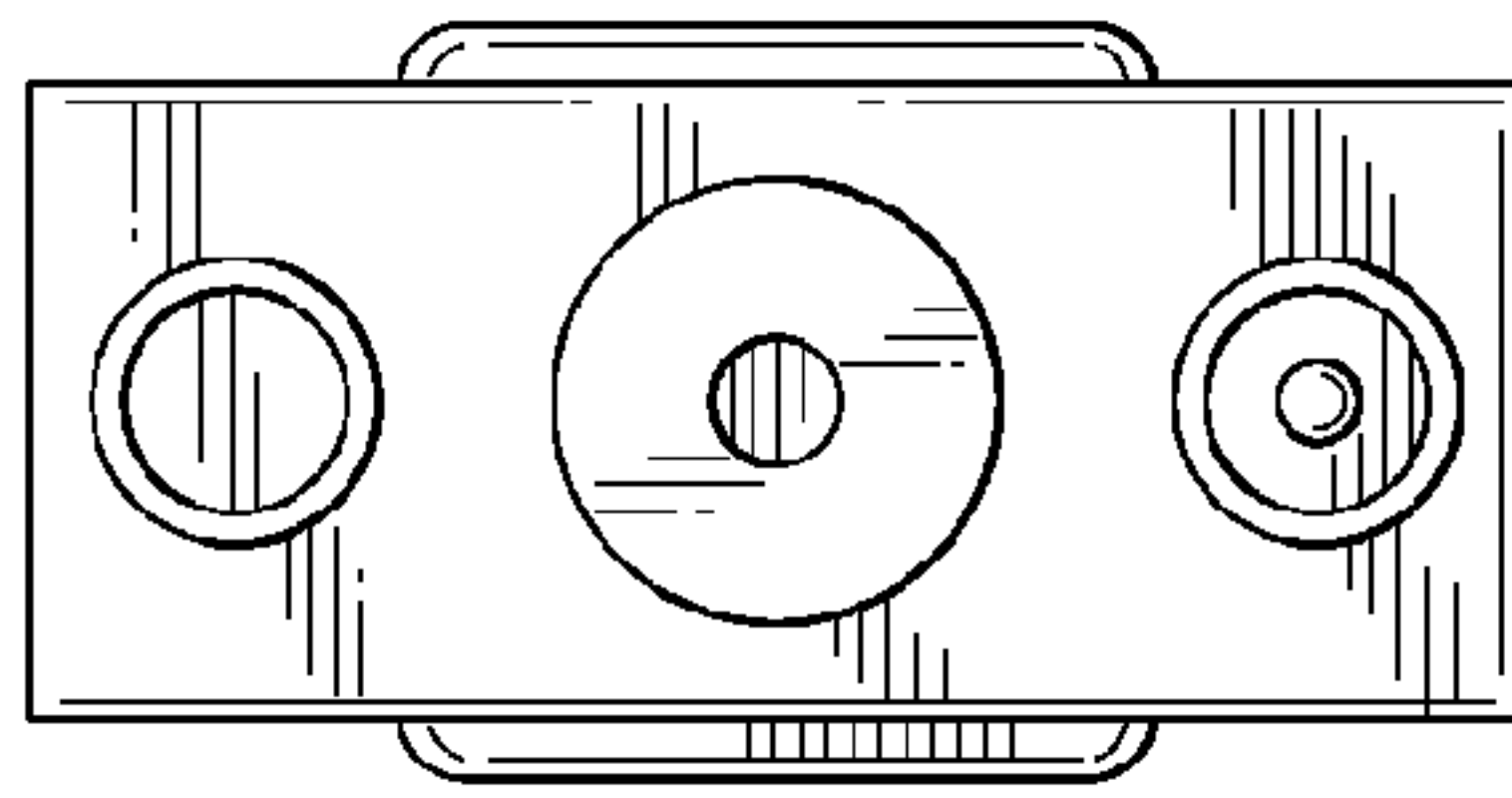


FIG. 10

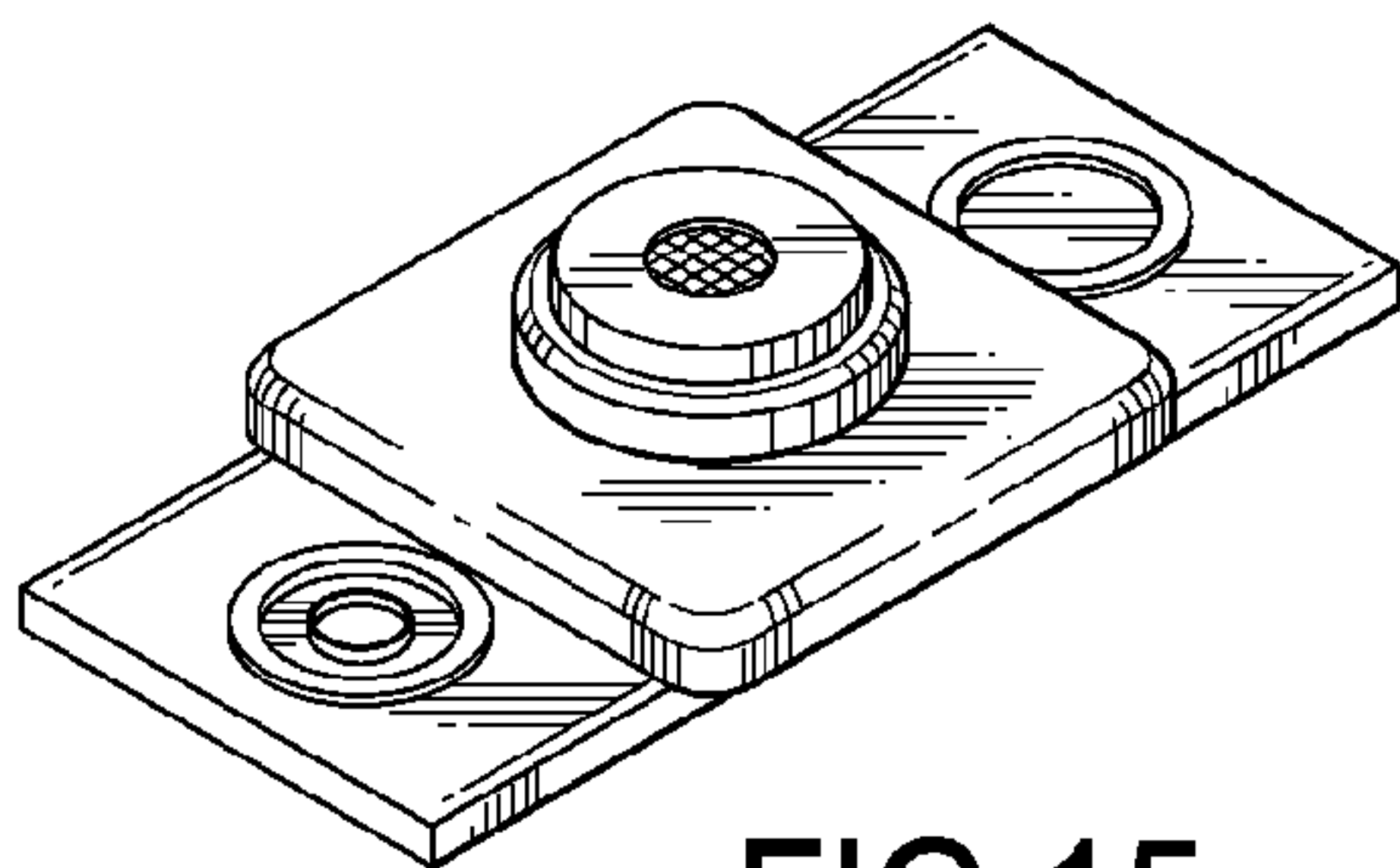


FIG. 15

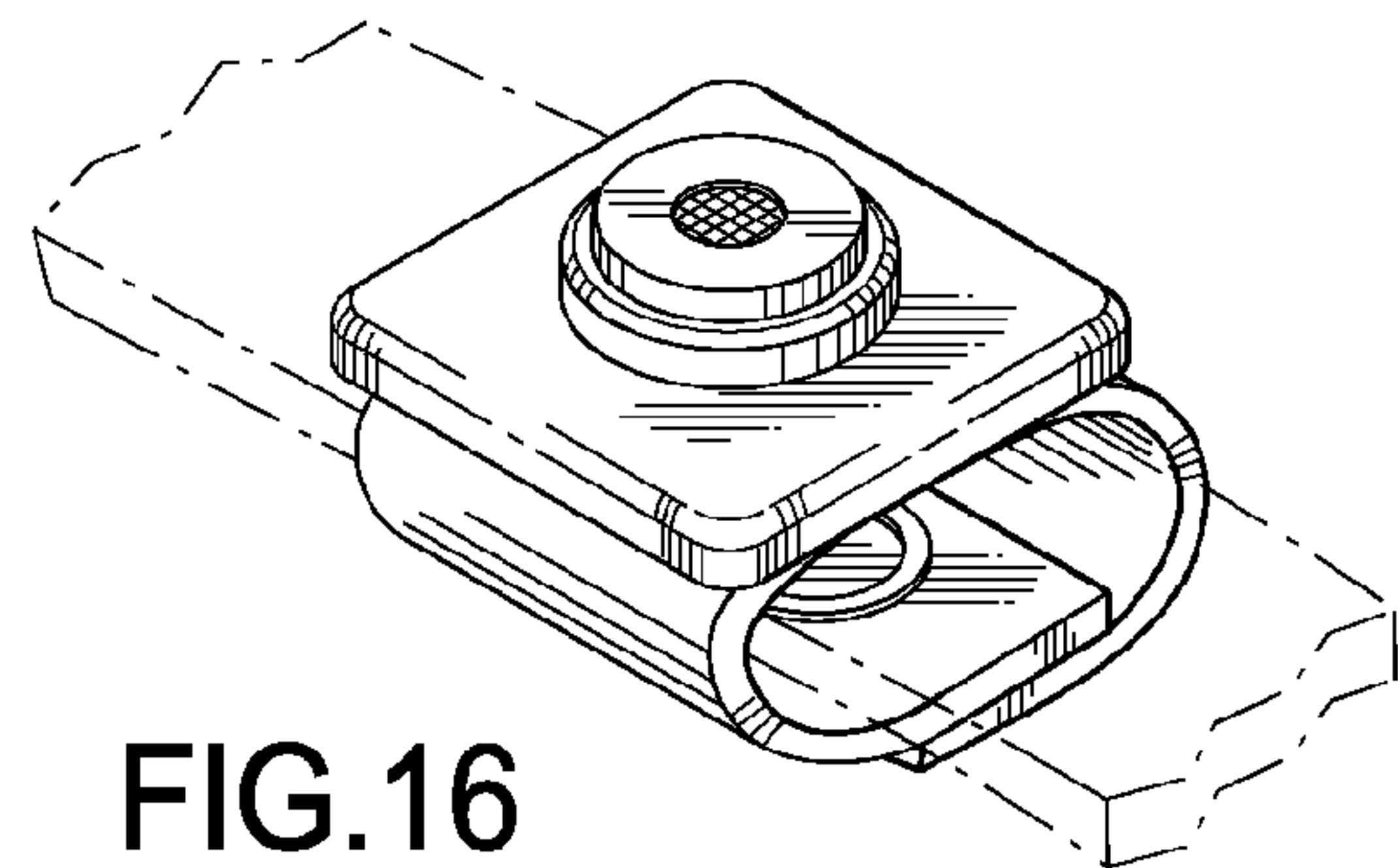


FIG. 16

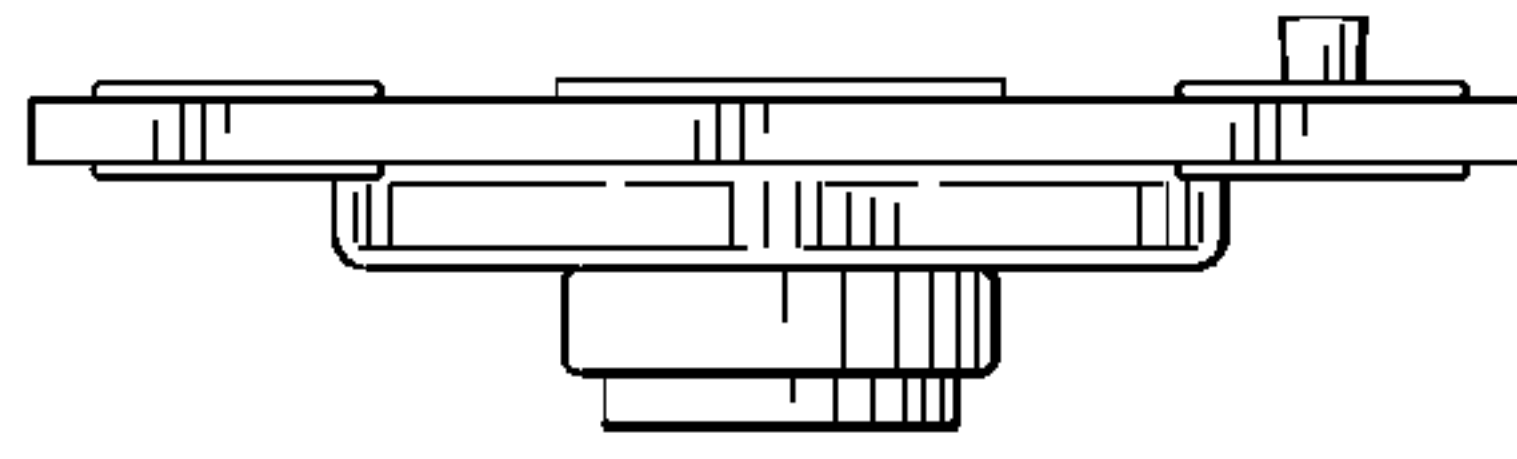


FIG.20

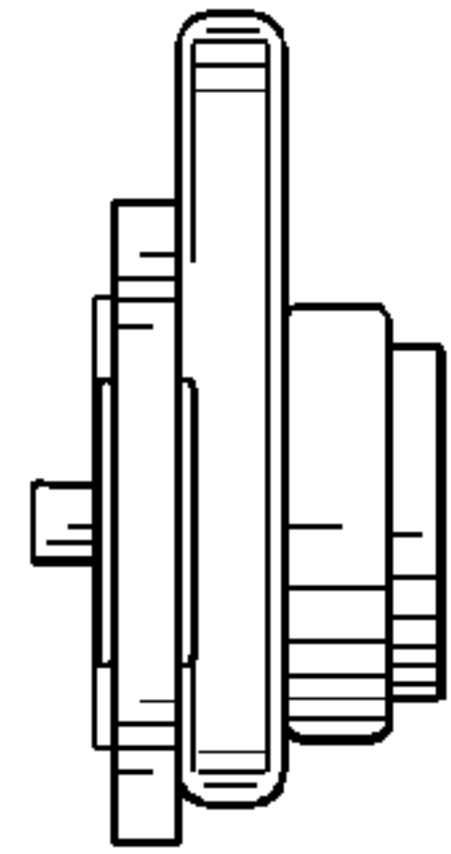


FIG.21

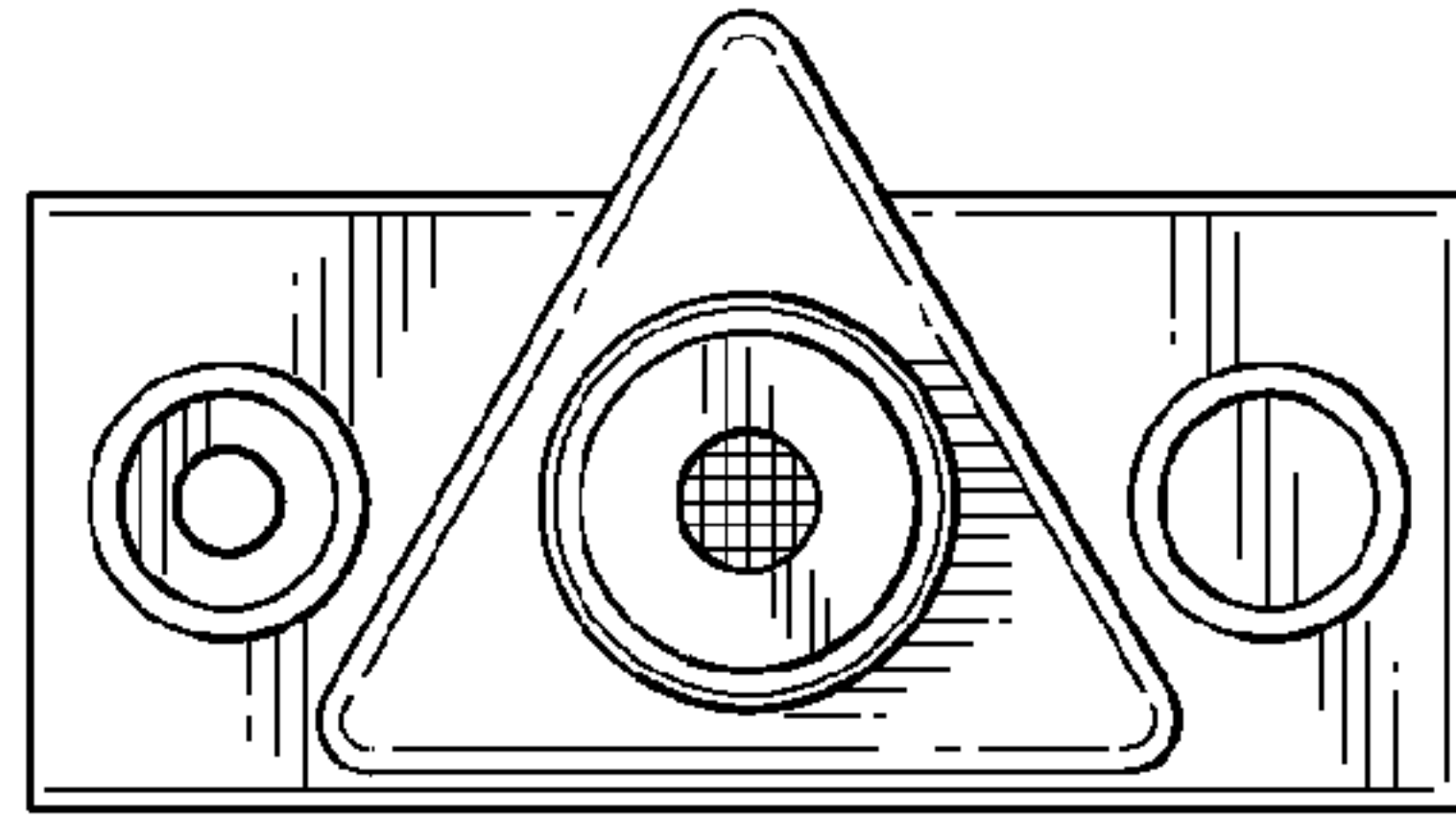


FIG.17

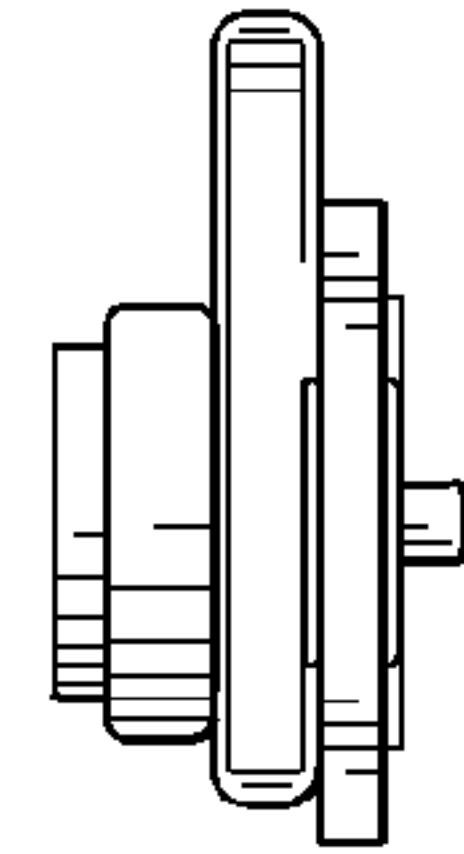


FIG.22

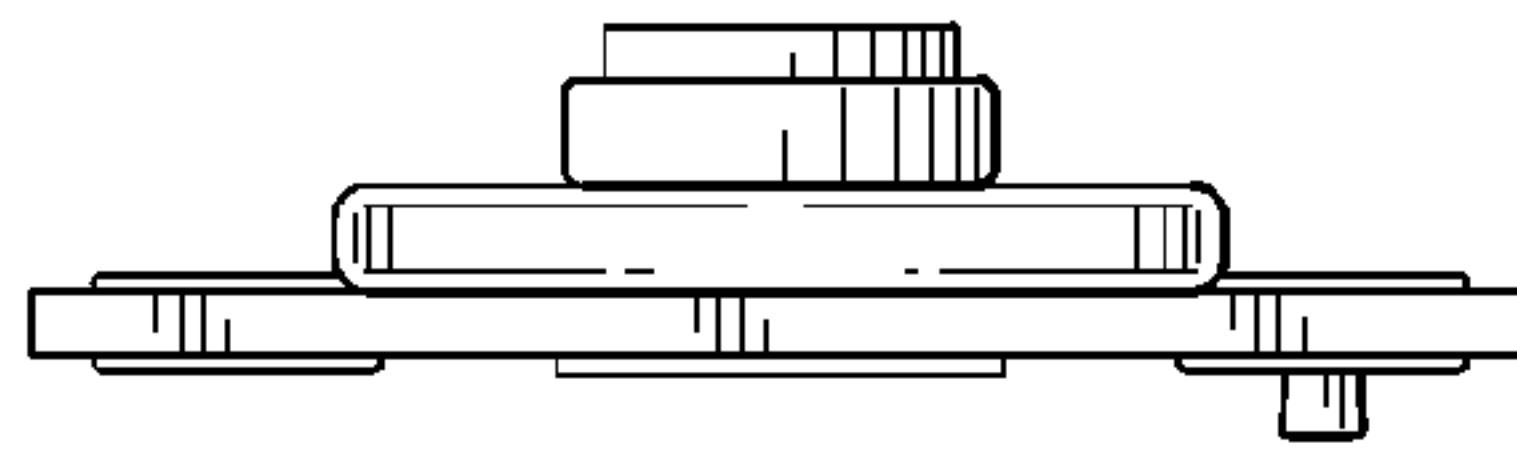


FIG.19

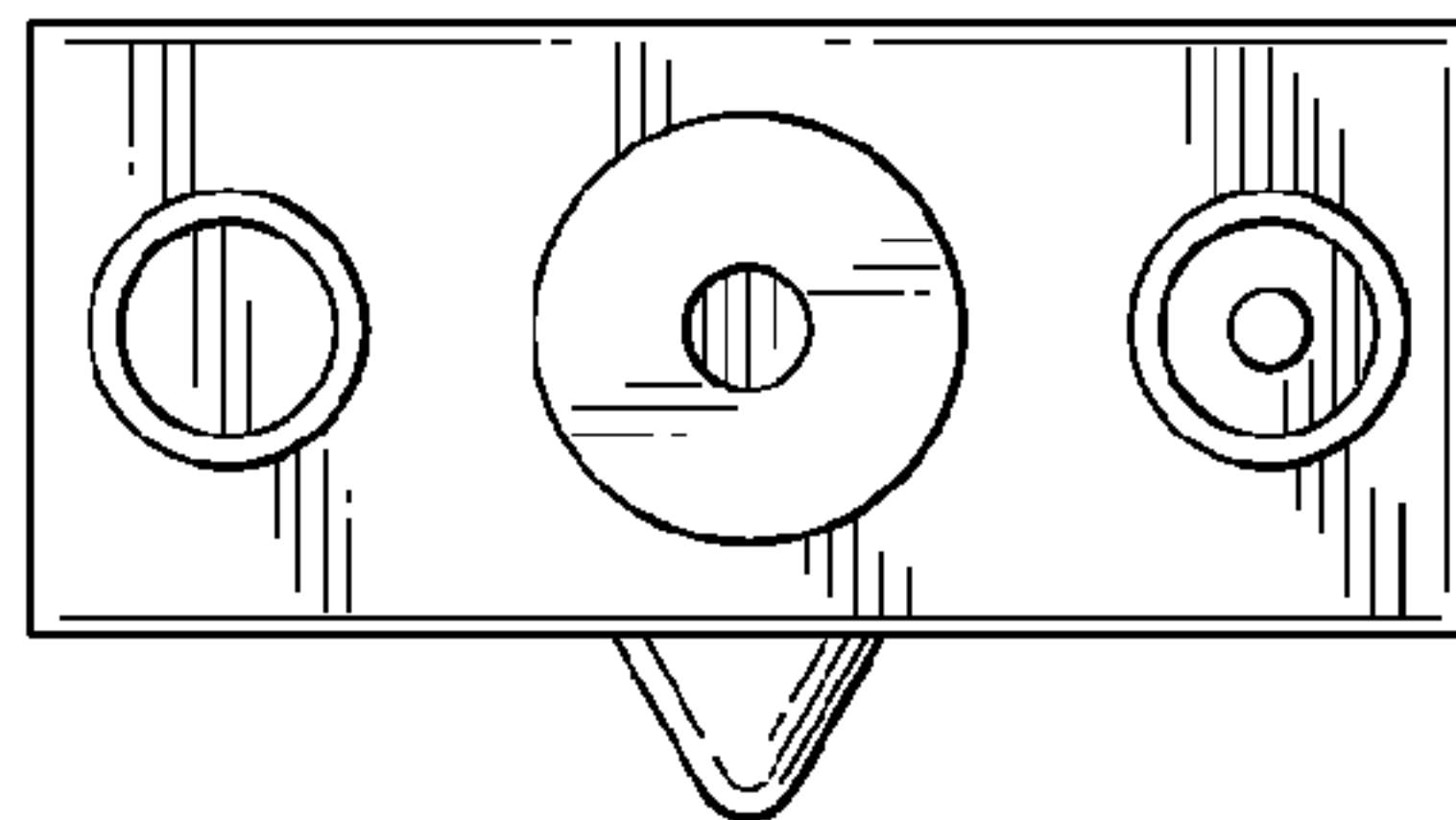


FIG.18

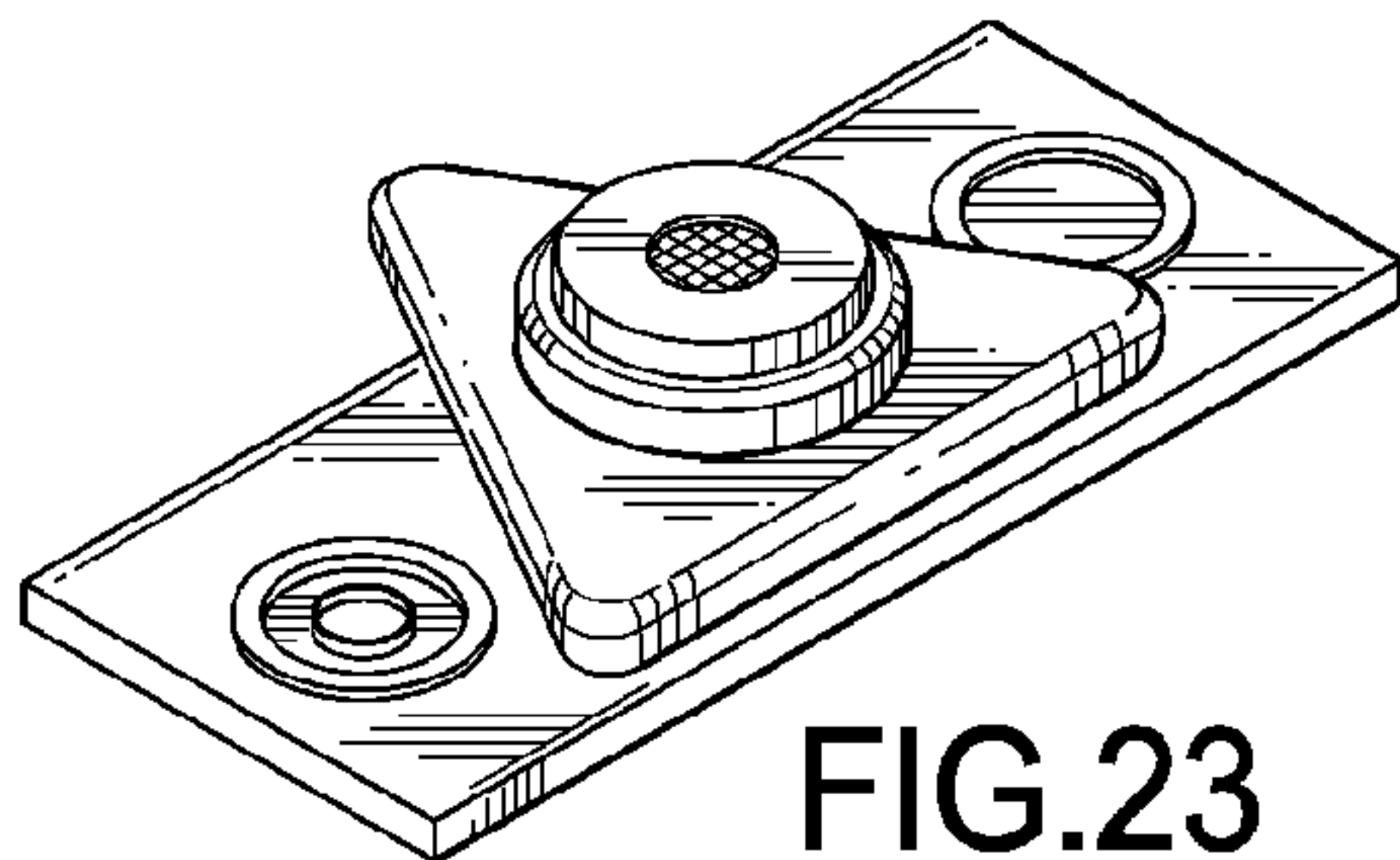


FIG.23

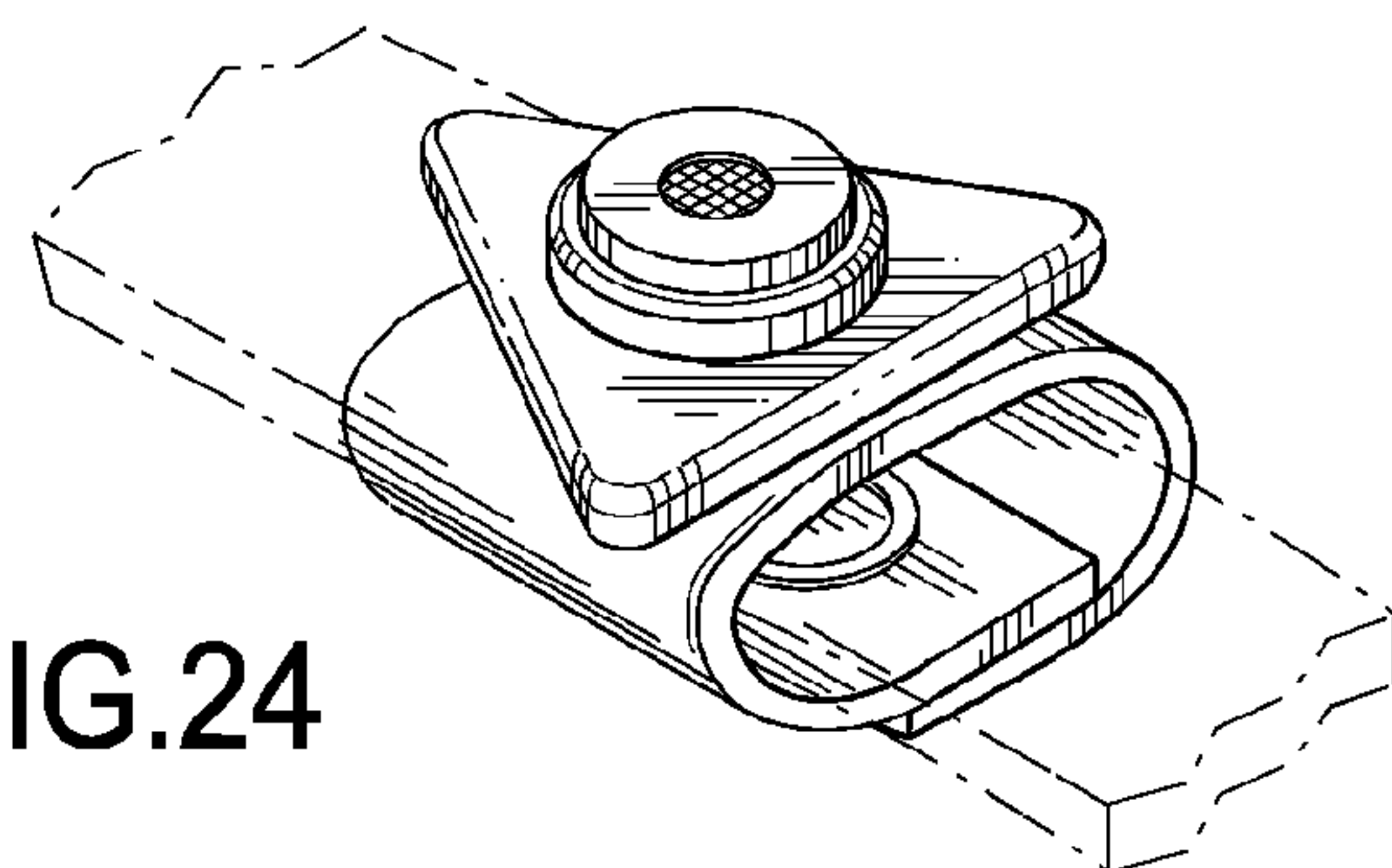


FIG.24