



US00D619694S

(12) **United States Design Patent**
Hami et al.

(10) **Patent No.:** **US D619,694 S**

(45) **Date of Patent:** **** Jul. 13, 2010**

(54) **DEODORANT HOLDER**

(76) Inventors: **Hossein Hami**, Via S. Francesco, 9,
Sovizzo (VI) (IT) 36050; **Davide**
Barragato, Via Fratelli Stuparich, 28,
Vicenza (IT) 36100

(**) Term: **14 Years**

(21) Appl. No.: **29/333,937**

(22) Filed: **Mar. 17, 2009**

(51) **LOC (9) Cl.** **28-99**

(52) **U.S. Cl.** **D23/366**

(58) **Field of Classification Search** D23/355-369;
D28/5, 6; 261/DIG. 17, DIG. 42, DIG. 65,
261/DIG. 88, DIG. 89; 392/386, 390, 391,
392/392, 394, 395, 389, 393; 239/34, 35,
239/43-45, 53, 56, 57, 60, 326, 42, 50, 55
See application file for complete search history.

(56) **References Cited**

U.S. PATENT DOCUMENTS

3,784,102	A *	1/1974	Stults	239/36
4,014,501	A *	3/1977	Buckenmayer	239/58
D268,520	S *	4/1983	LeCaire, Jr.	D23/369
D323,383	S *	1/1992	Keays et al.	D23/366
5,193,445	A *	3/1993	Ferguson	99/482
D367,924	S *	3/1996	Patel et al.	D23/369
D375,350	S *	11/1996	Patel et al.	D23/366
D441,441	S *	5/2001	Upton	D23/366
6,244,518	B1 *	6/2001	Pogue	239/36
6,264,887	B1 *	7/2001	Farmer	422/5
6,631,852	B1 *	10/2003	O'Leary	239/60

D487,308	S *	3/2004	Engerant	D23/366
D490,886	S *	6/2004	Engerant	D23/366
D493,515	S *	7/2004	Morillas	D23/366
D493,878	S *	8/2004	Morillas	D23/366
D494,668	S *	8/2004	Morillas	D23/366
D495,044	S *	8/2004	Morillas	D23/366
D497,424	S *	10/2004	Morillas	D23/366
D497,665	S *	10/2004	Morillas	D23/366
D497,986	S *	11/2004	Morillas	D23/366
D498,524	S *	11/2004	Morillas	D23/366
D498,836	S *	11/2004	Morillas	D23/366
D503,974	S *	4/2005	Morillas	D23/366
D504,500	S *	4/2005	Morillas	D23/366
D507,341	S *	7/2005	Taylor	D23/368
D594,954	S *	6/2009	Wheatley	D23/366

* cited by examiner

Primary Examiner—Sandra Snapp
(74) *Attorney, Agent, or Firm*—Themis Law

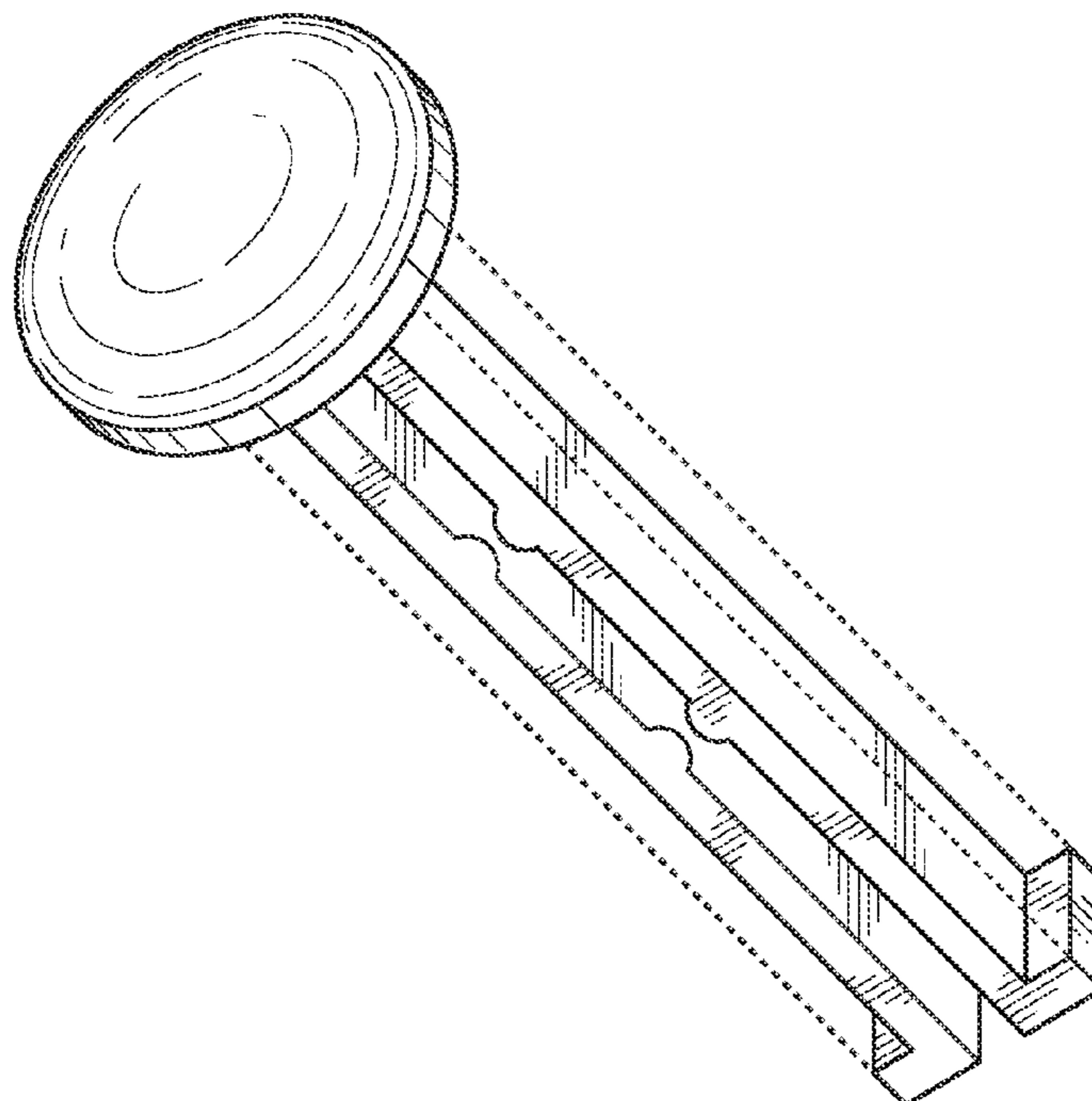
(57) **CLAIM**

The ornamental design for a deodorant holder, as shown and described.

DESCRIPTION

FIG. 1 is a front perspective view of a deodorant holder showing our new design;
FIG. 2 is a front elevational view thereof; and,
FIG. 3 is a top view thereof.
Deodorant sticks are shown in dashed lines and do not form part of the claimed design.

1 Claim, 3 Drawing Sheets



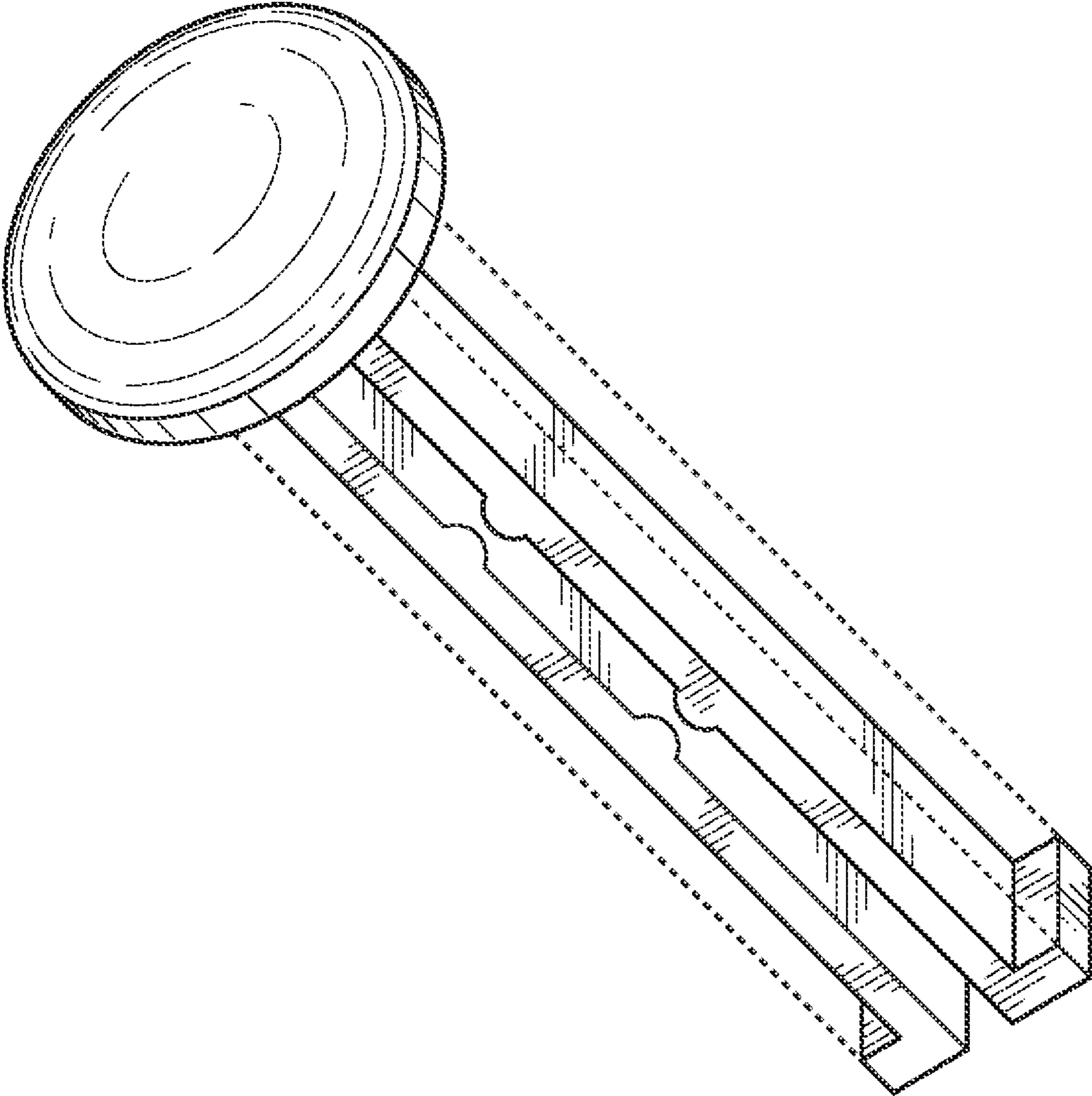


FIG. 1

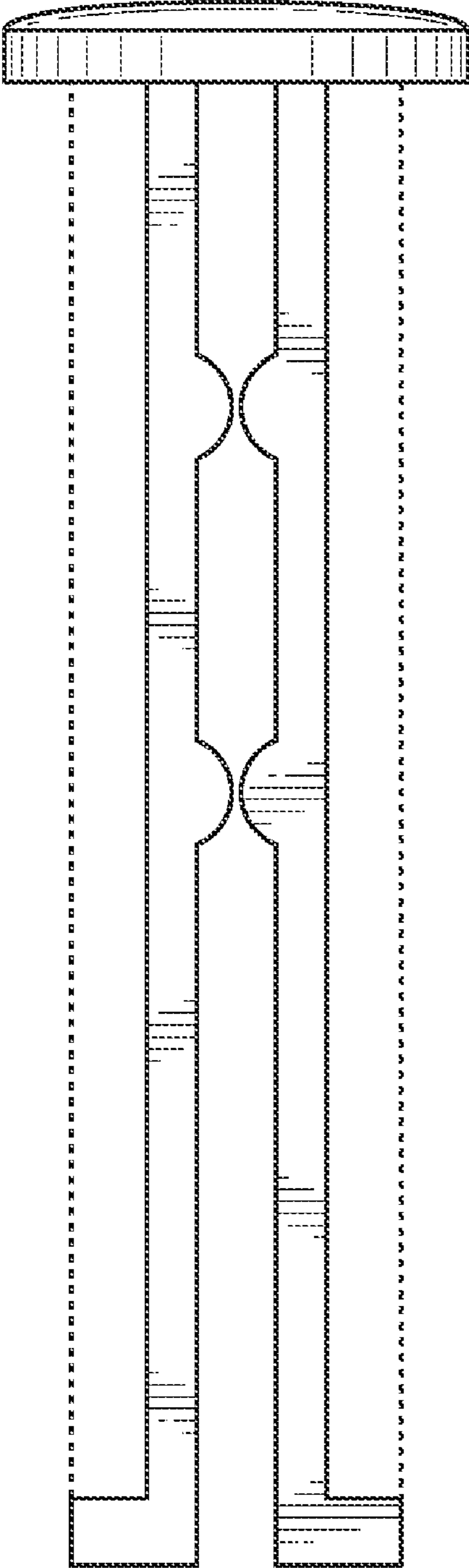


FIG. 2

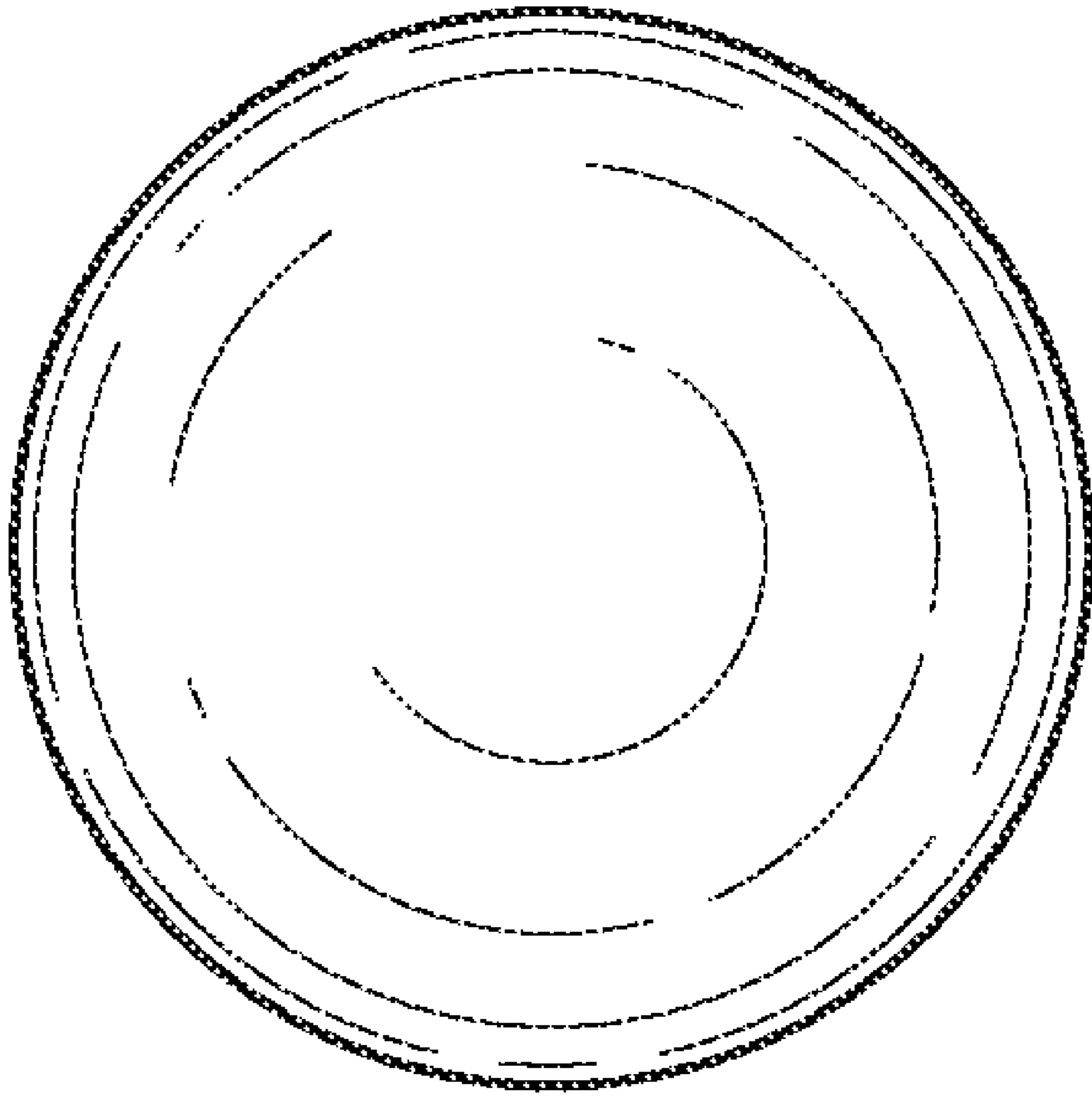


FIG. 3