



US00D619692S

(12) **United States Design Patent**
Hami et al.

(10) **Patent No.:** **US D619,692 S**
(45) **Date of Patent:** **** Jul. 13, 2010**

(54) **DEODORANT HOLDER**

(76) Inventors: **Hossein Hami**, Via S. Francesco, 9,
Sovizzo (VI) (IT) 36050; **Davide**
Barragato, Via Fratelli Stuparich, 28,
Vicenza (IT) 36100

(**) Term: **14 Years**

(21) Appl. No.: **29/333,933**

(22) Filed: **Mar. 17, 2009**

(51) **LOC (9) Cl.** **28-99**

(52) **U.S. Cl.** **D23/366**

(58) **Field of Classification Search** D23/355-369;
D28/5, 6; 261/DIG. 17, DIG. 42, DIG. 65,
261/DIG. 88, DIG. 89; 392/386, 390, 391,
392/392, 394, 395, 389, 393; 239/34, 35,
239/43-45, 53, 56, 57, 60, 326, 42, 50, 55
See application file for complete search history.

(56) **References Cited**

U.S. PATENT DOCUMENTS

2,507,899	A *	5/1950	Gilowitz	239/44
D322,309	S *	12/1991	King	D23/367
5,193,445	A *	3/1993	Ferguson	99/482
D344,582	S *	2/1994	Williams	D23/365
D349,568	S *	8/1994	El-Assir	D23/367
D379,651	S *	6/1997	Rondeau	D23/367
D379,652	S *	6/1997	Okamoto	D23/367
D381,444	S *	7/1997	Yuen	D26/26
D422,350	S *	4/2000	Wu	D23/367

6,264,887	B1 *	7/2001	Farmer	422/5
D481,115	S *	10/2003	Wu	D23/367
D483,461	S *	12/2003	Millan	D23/366
D488,856	S *	4/2004	Millan	D23/366
D507,341	S *	7/2005	Taylor	D23/368
D521,139	S *	5/2006	Wu	D23/366
D522,119	S *	5/2006	Baraky et al.	D23/366
D551,785	S *	9/2007	Montgomery	D26/26
D553,230	S *	10/2007	Caserta et al.	D23/360
D568,453	S *	5/2008	Wu	D23/366
D594,954	S *	6/2009	Wheatley	D23/366
D597,648	S *	8/2009	Heflin, III	D23/367

* cited by examiner

Primary Examiner—Sandra Snapp

(74) *Attorney, Agent, or Firm*—Themis Law

(57) **CLAIM**

The ornamental design for a deodorant holder, as shown and described.

DESCRIPTION

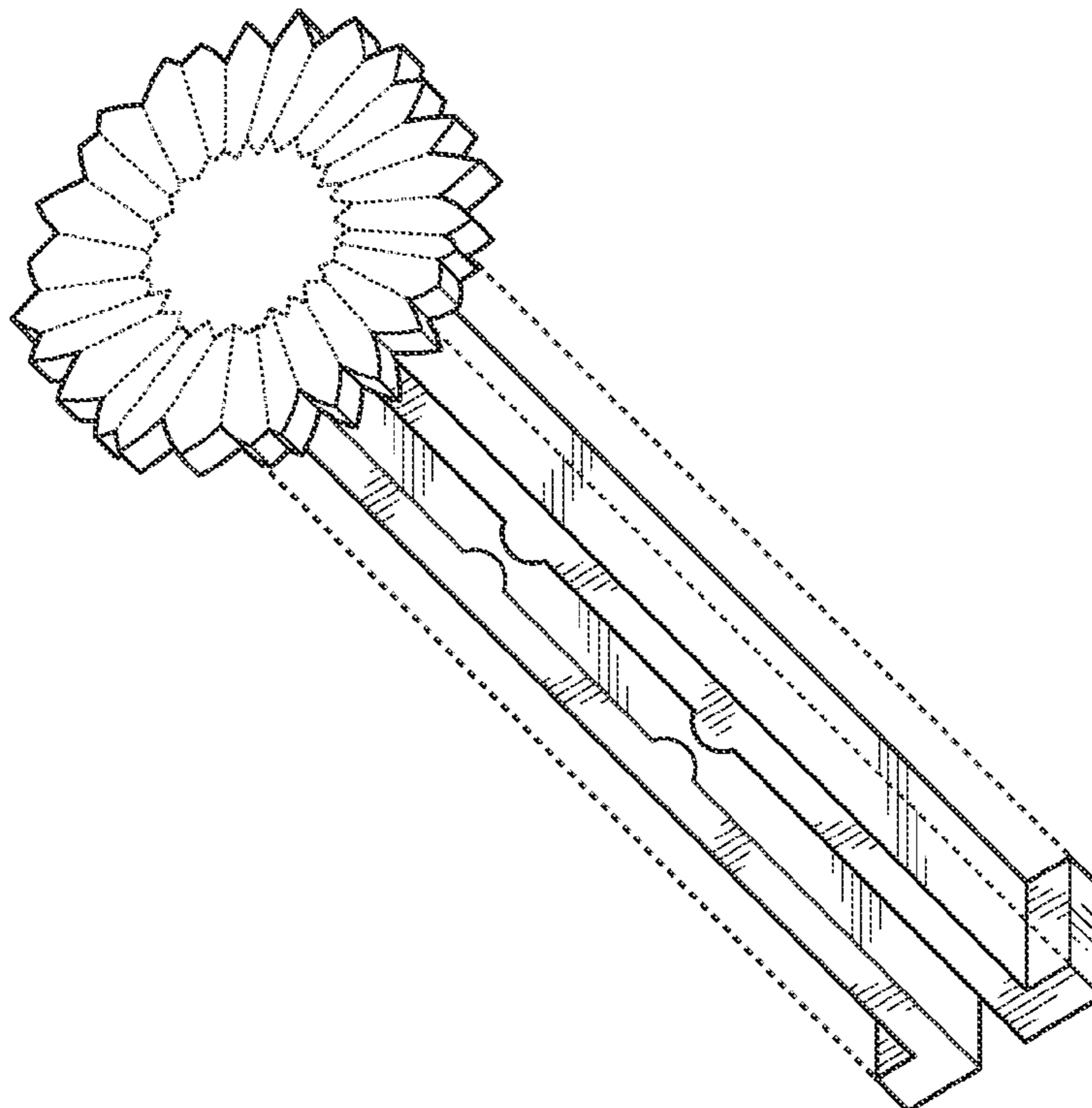
FIG. 1 is a front perspective view of a deodorant holder showing our new design;

FIG. 2 is a front elevational view thereof; and,

FIG. 3 is a top view thereof.

The inner portions of the flower and deodorant sticks are shown in dashed lines and do not form part of the claimed design.

1 Claim, 3 Drawing Sheets



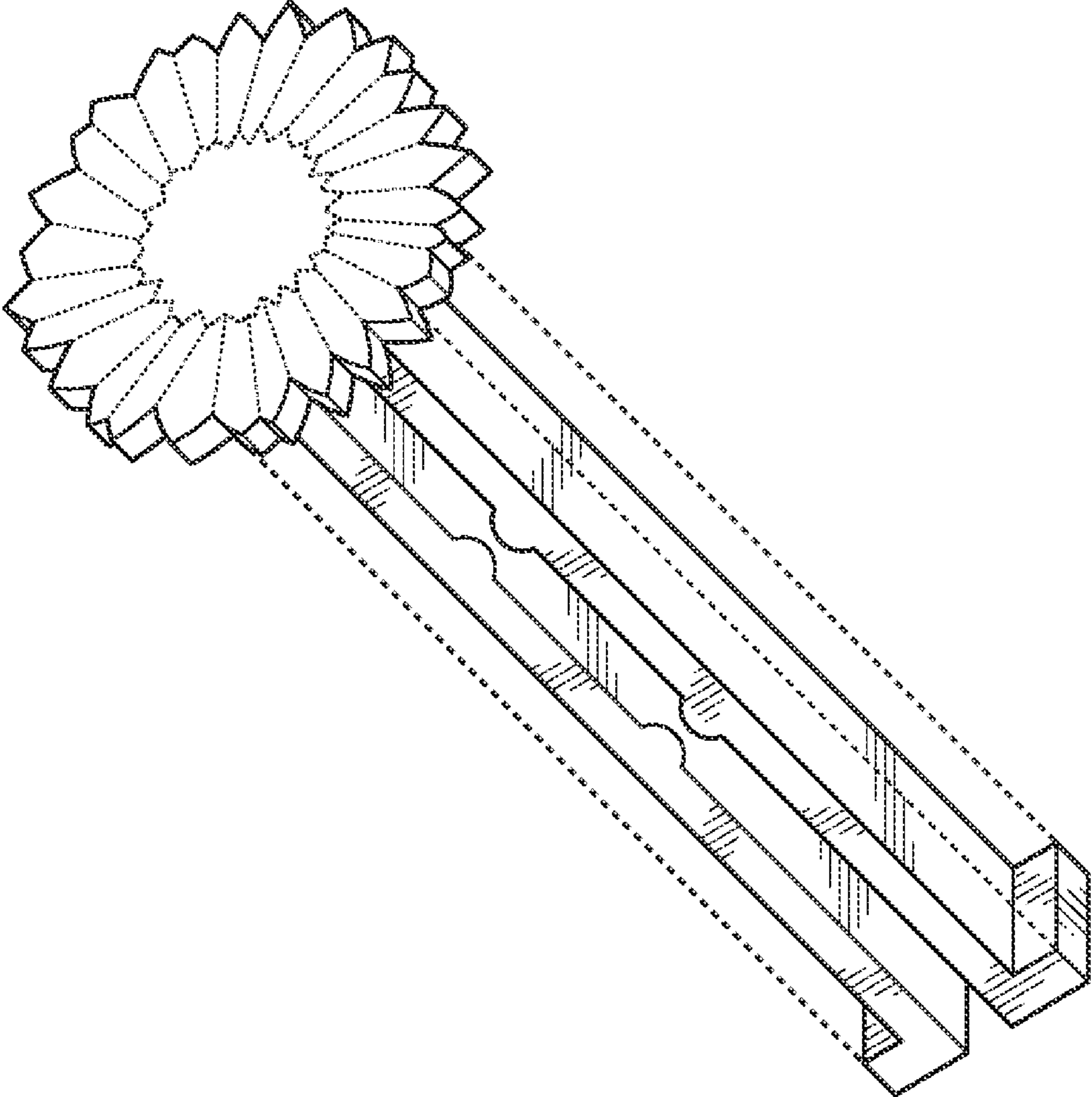


FIG. 1

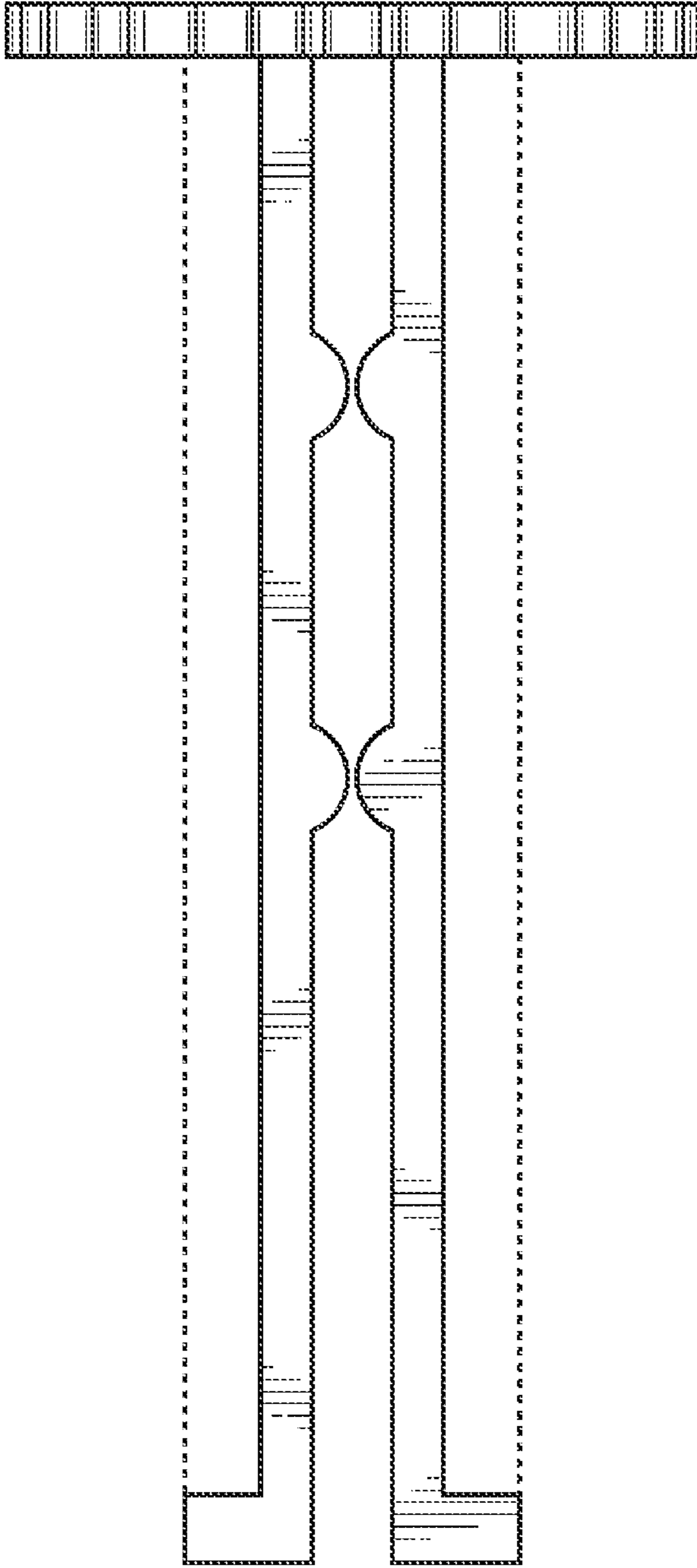


FIG. 2

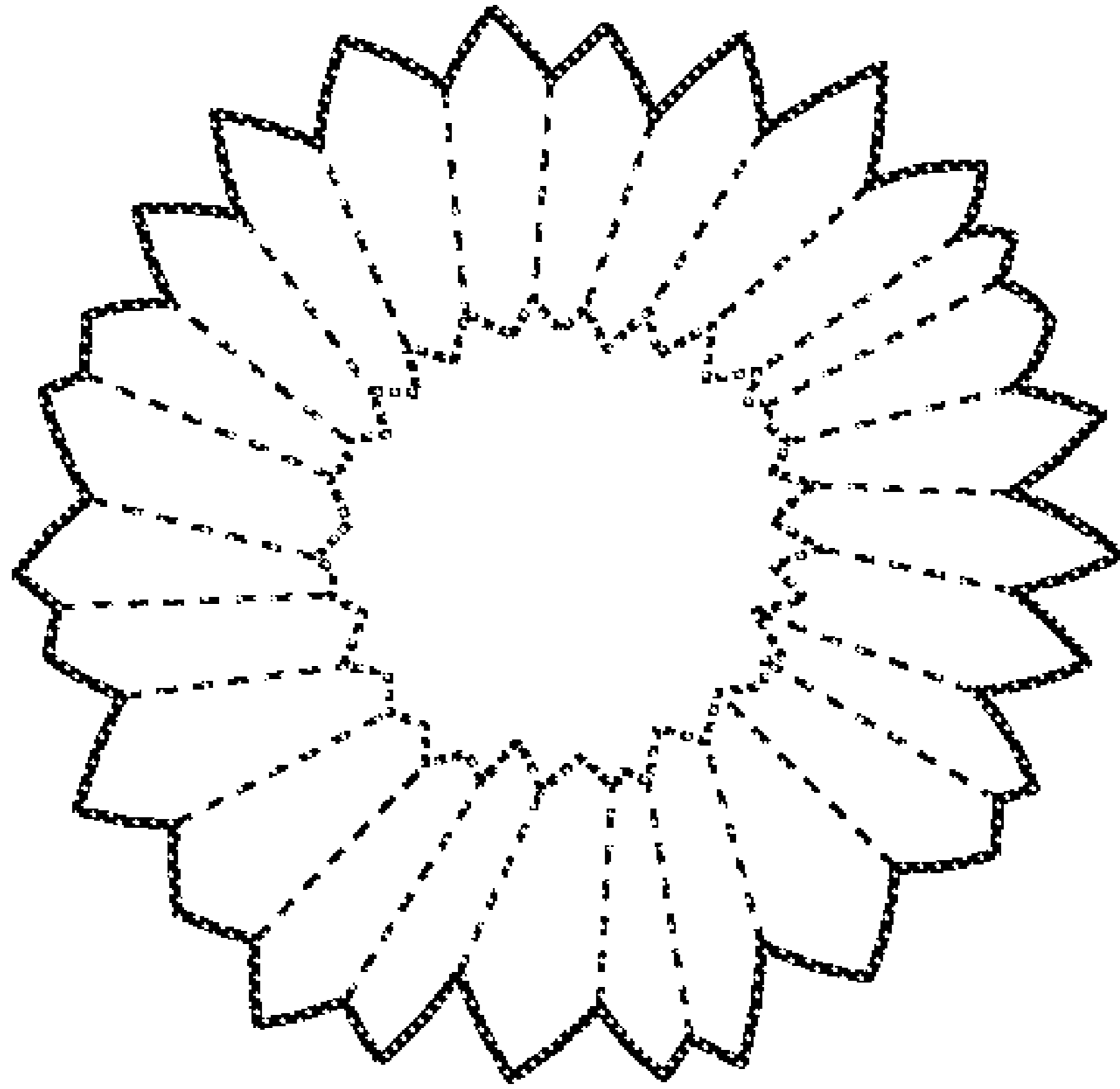


FIG. 3