



US00D619690S

(12) **United States Design Patent**
Ragaini

(10) **Patent No.:** **US D619,690 S**

(45) **Date of Patent:** **** *Jul. 13, 2010**

(54) **RADIATOR WITH A CURVED LATERAL COVER**

D354,557 S * 1/1995 Cich et al. D23/330

* cited by examiner

(76) Inventor: **Stefano Ragaini**, Via Buffolareccia,
19/21, Loreto, Ancona (IT) 60025

Primary Examiner—T. Chase Nelson
Assistant Examiner—Ania K Dworzecka

(*) Notice: This patent is subject to a terminal disclaimer.

(74) *Attorney, Agent, or Firm*—Hughes Hubbard & Reed LLP

(**) Term: **14 Years**

(57) **CLAIM**

(21) Appl. No.: **29/338,943**

The ornamental design for a radiator with a curved lateral cover, as shown and described.

(22) Filed: **Jun. 22, 2009**

DESCRIPTION

(30) **Foreign Application Priority Data**

Dec. 23, 2008 (EM) 1062723

FIG. 1 is a front elevation view of a radiator with a curved lateral covering showing my new design;

(51) **LOC (9) Cl.** **23-03**

FIG. 2 is a front perspective view thereof;

(52) **U.S. Cl.** **D23/330**

FIG. 3 is a rear elevation view thereof;

(58) **Field of Classification Search** D23/317,
D23/314, 332, 333, 334, 335, 337, 342, 351,
D23/355, 378, 370, 381, 364, 336, 341, 330;
416/244 R, 247 R, 53.1–53.3; 392/365, 367
See application file for complete search history.

FIG. 4 is a rear perspective view thereof;

FIG. 5 is a top plan view thereof;

FIG. 6 is a partial enlarged top elevation view thereof;

FIG. 7 is a partial enlarged top and side perspective view thereof;

(56) **References Cited**

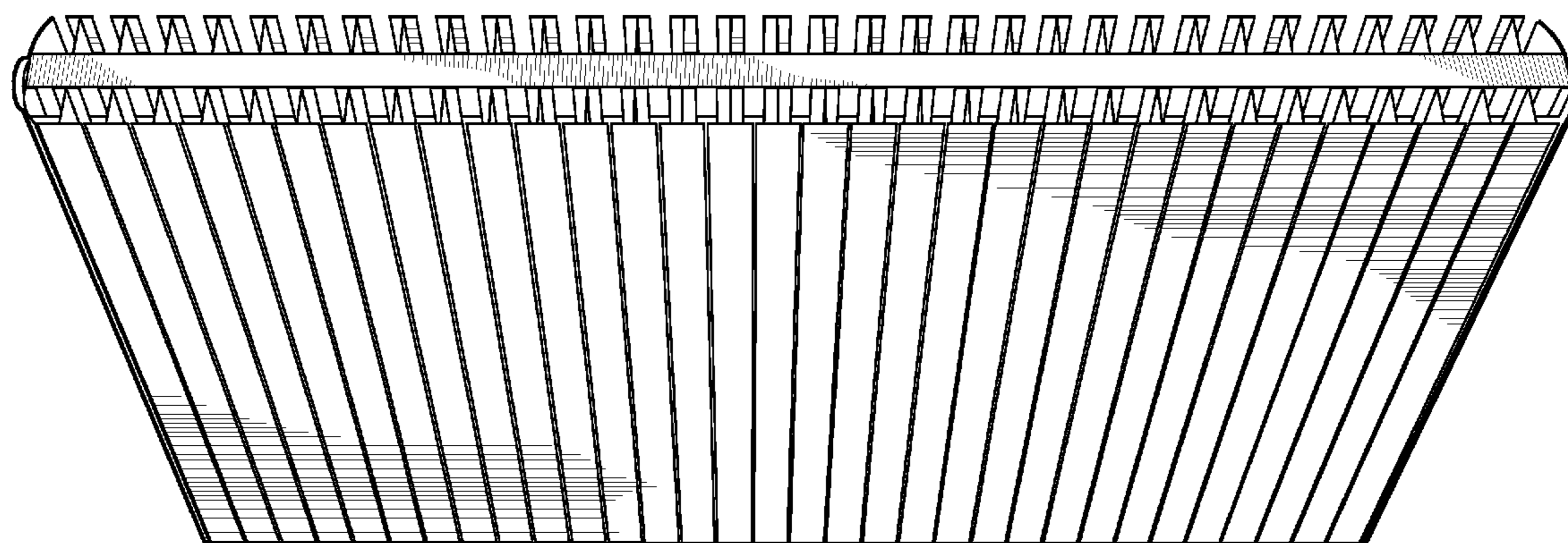
U.S. PATENT DOCUMENTS

D243,401 S * 2/1977 Almen D23/386
4,452,231 A * 6/1984 El-Shayeb 126/584
D281,008 S * 10/1985 Hutter et al. D23/314
D281,009 S * 10/1985 Moses et al. D23/314

FIG. 8 is a partial enlarged top and side perspective view thereof; and,

FIG. 9 is a partial enlarged top and side perspective view thereof.

1 Claim, 9 Drawing Sheets



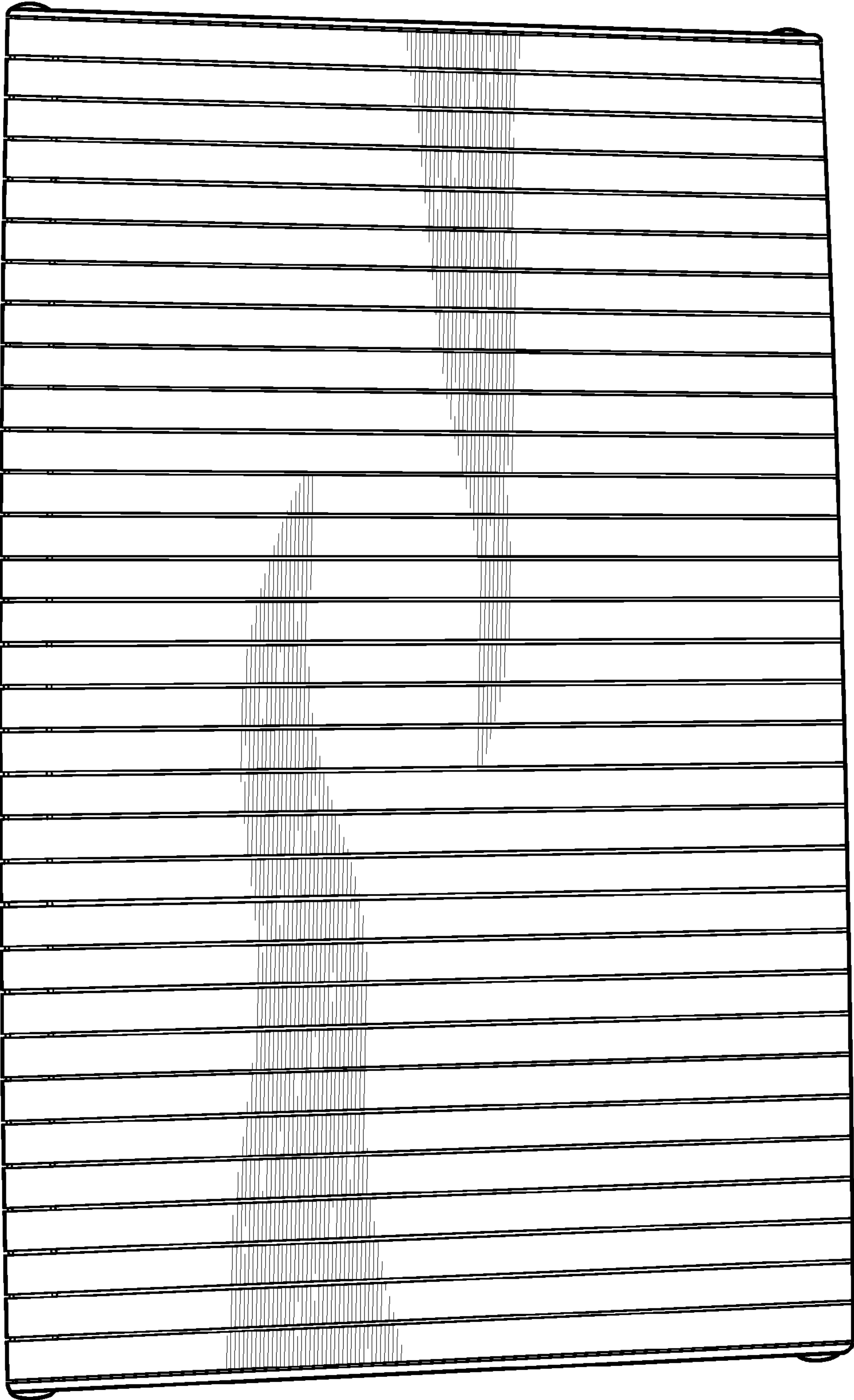


FIG. 1

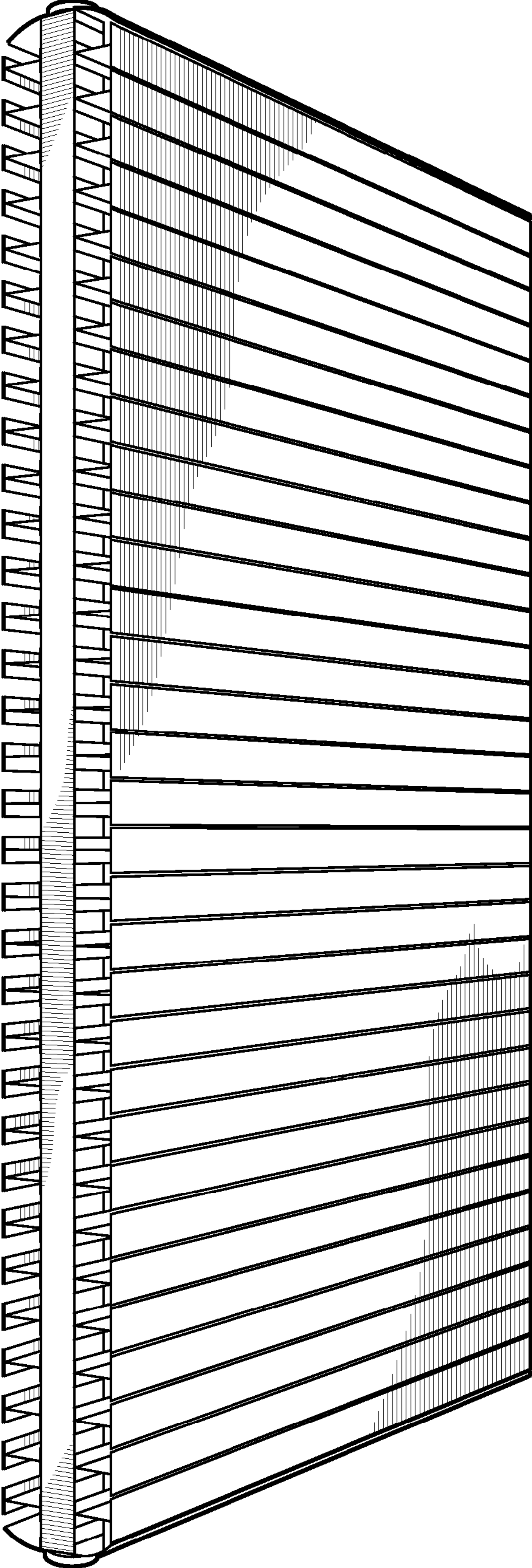


FIG. 2

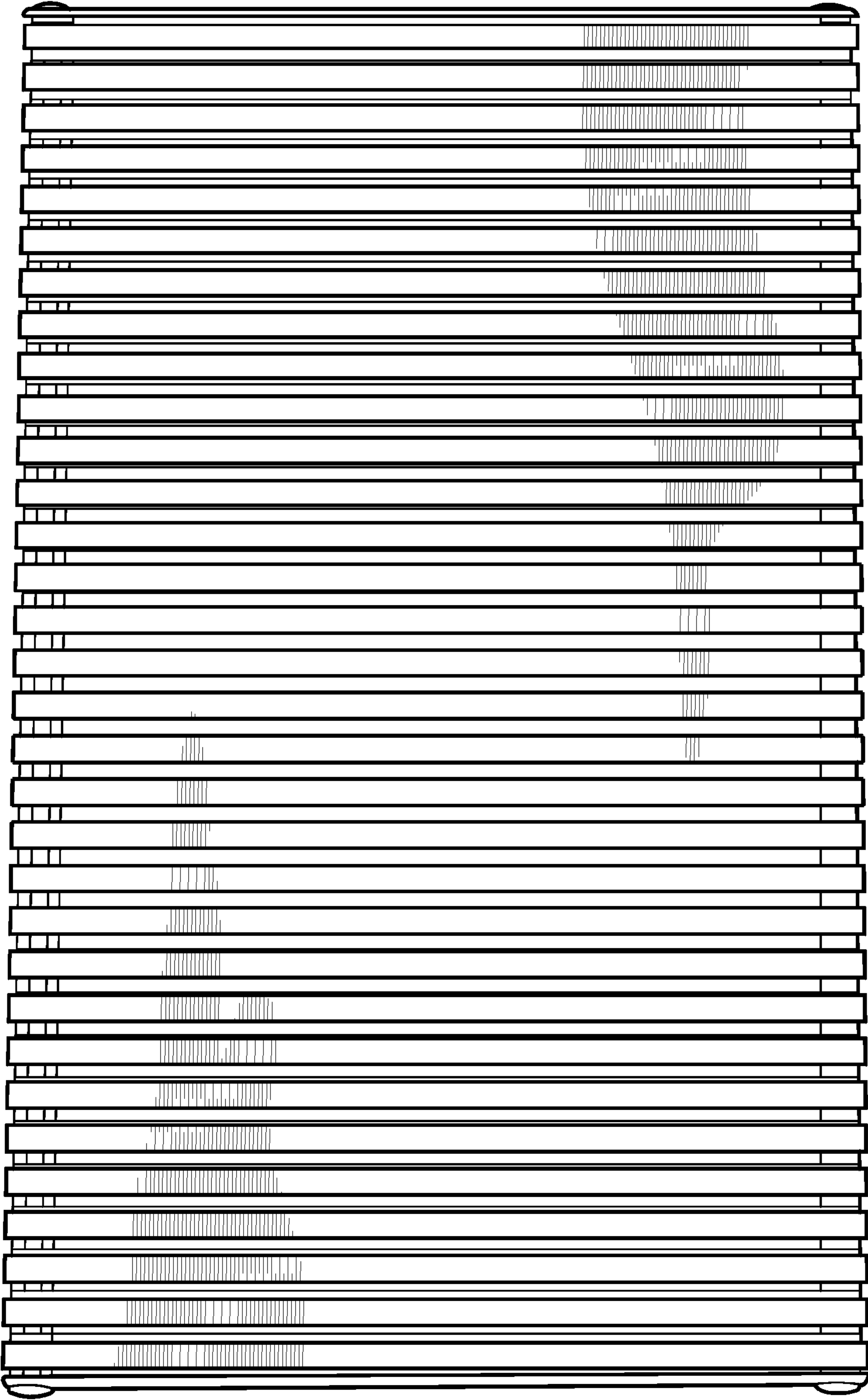


FIG. 3

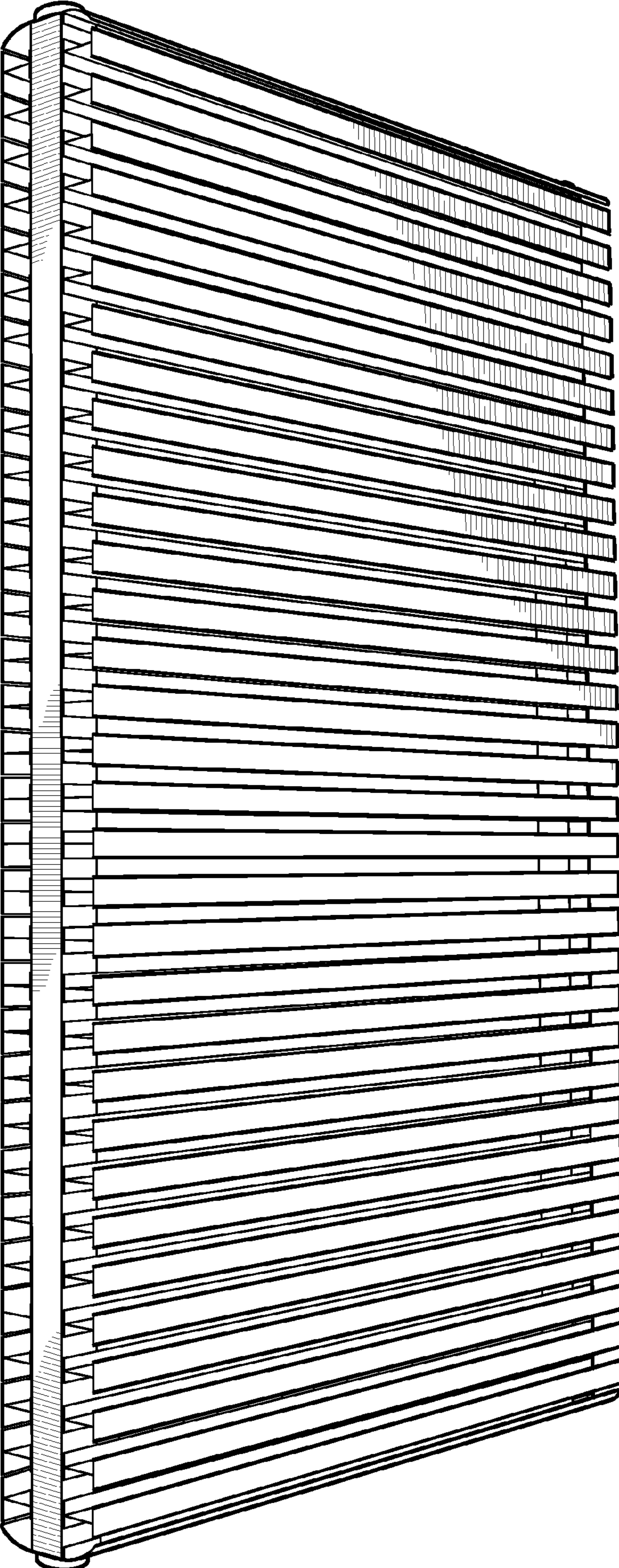


FIG.4

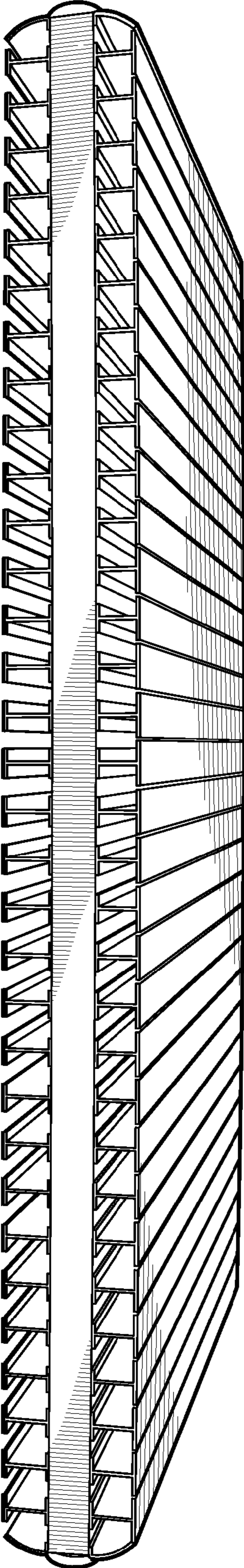


FIG. 5

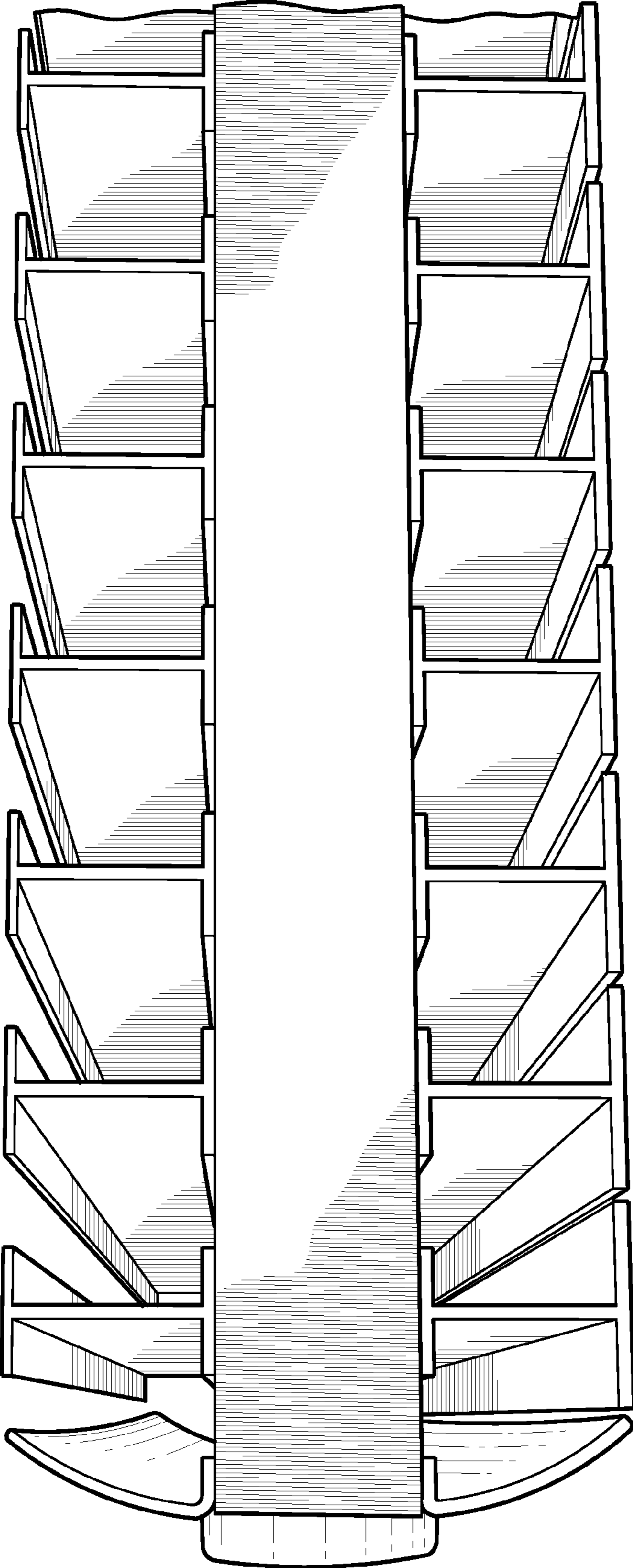


FIG. 6

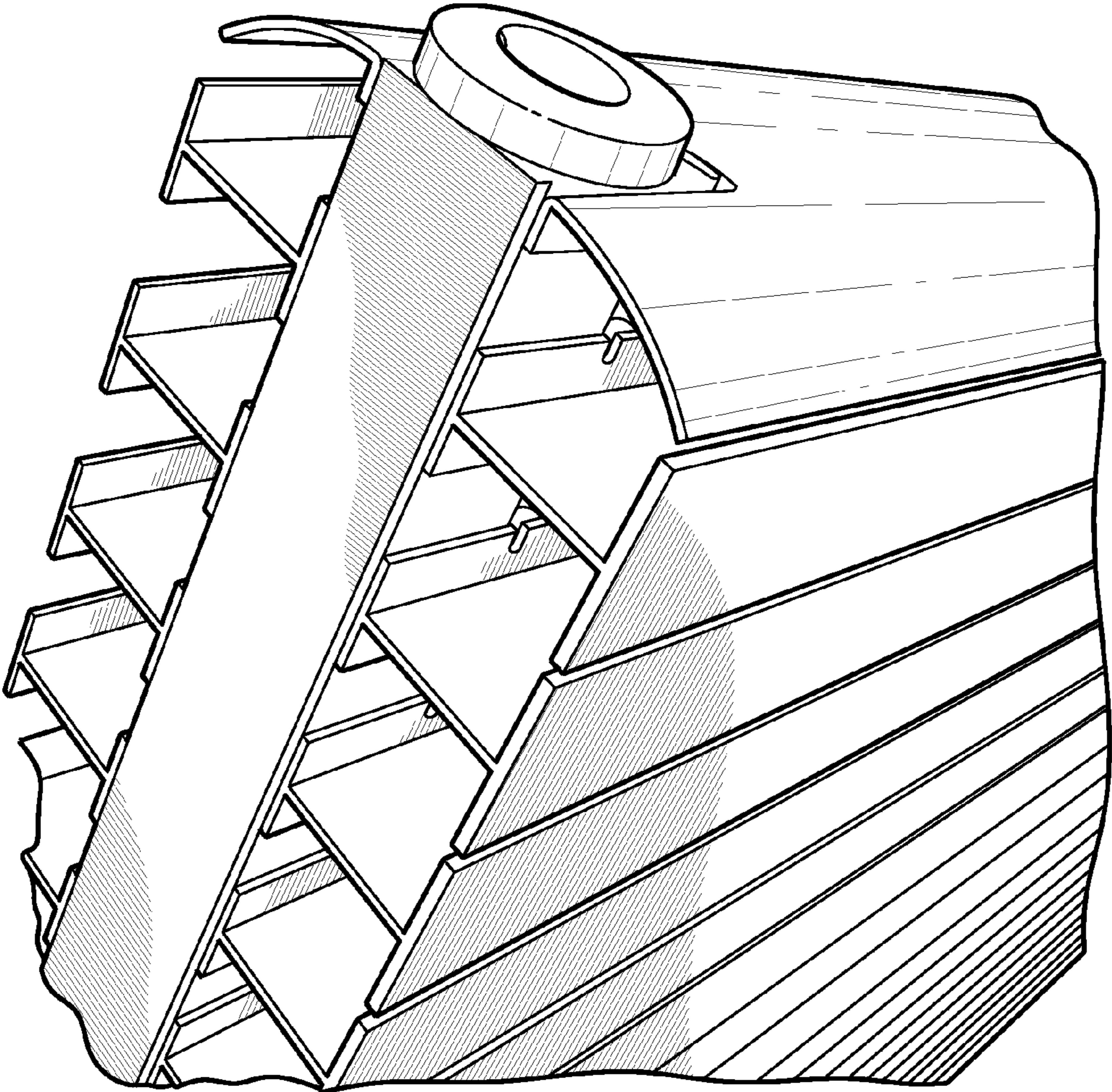


FIG. 7

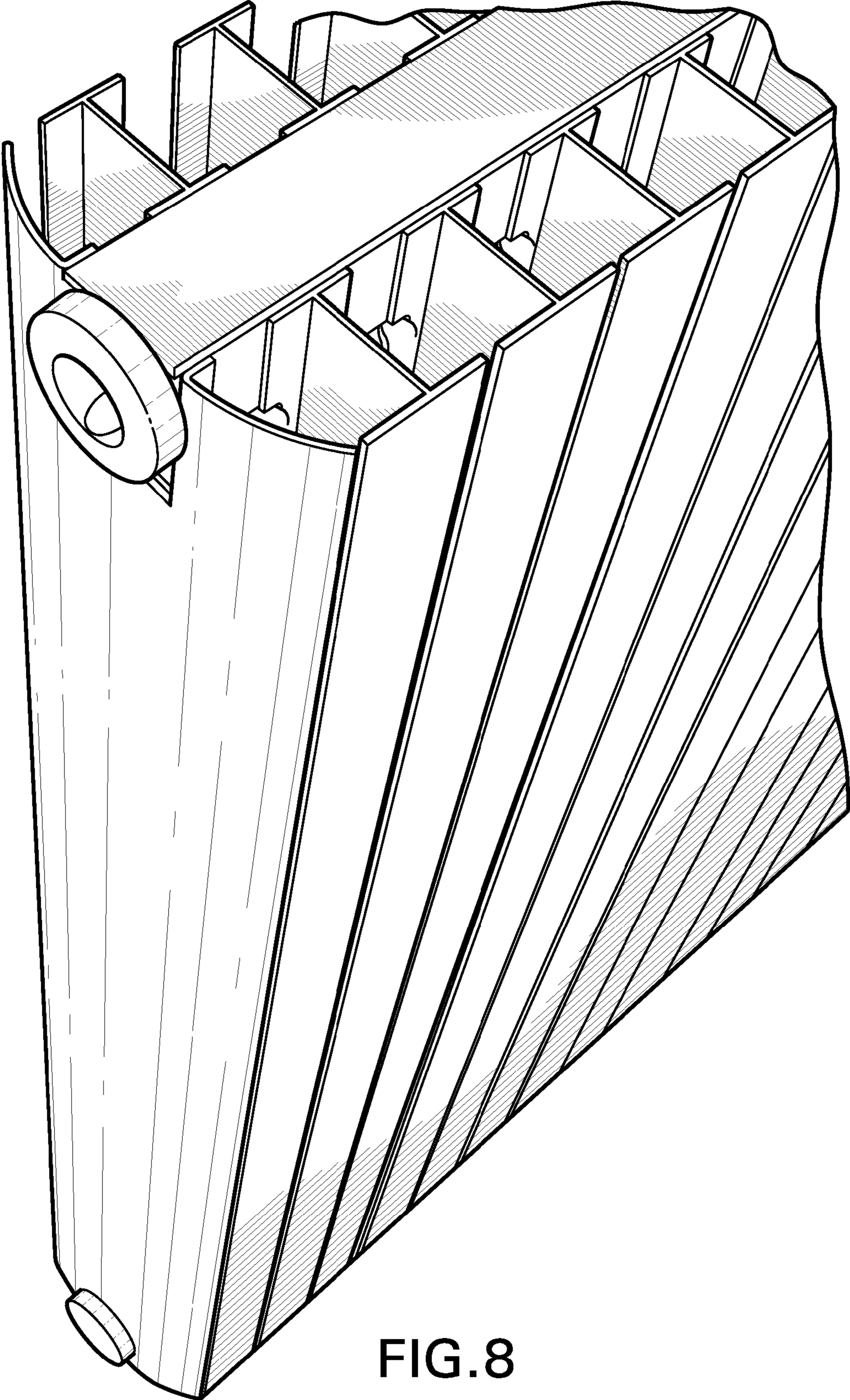


FIG.8

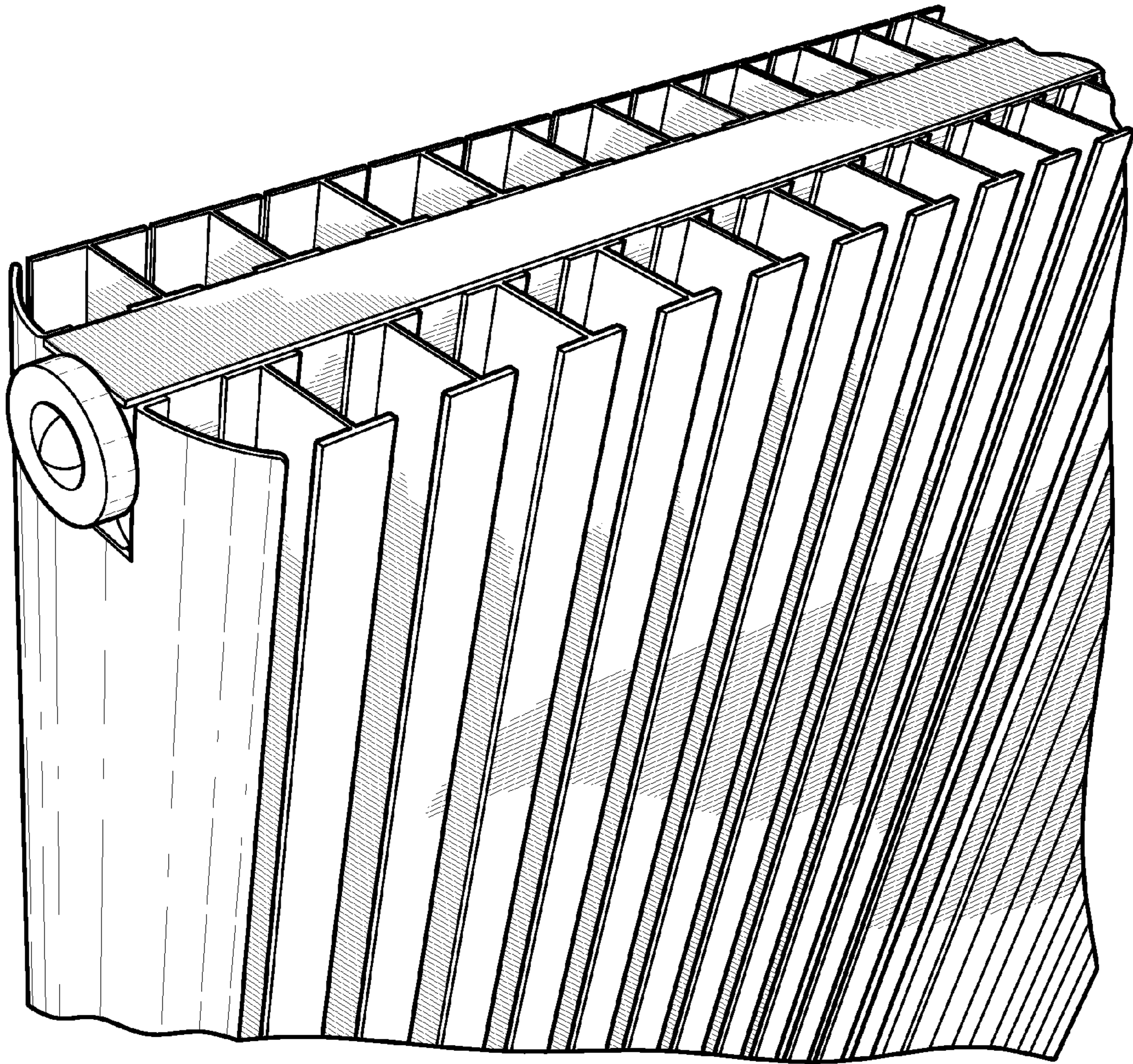


FIG.9