



US00D619688S

(12) **United States Design Patent**  
**Gismervik**

(10) **Patent No.:** **US D619,688 S**  
(45) **Date of Patent:** **\*\* Jul. 13, 2010**

(54) **LEVEL SENSOR AND HEATING UNIT**

4,527,533 A \* 7/1985 Laramee ..... 123/557  
4,617,456 A \* 10/1986 Richards et al. .... 219/523  
D415,264 S \* 10/1999 Thweatt, Jr. .... D23/323

(75) Inventor: **Øystein Gismervik**, Fyllingsdalen (NO)

\* cited by examiner

(73) Assignee: **Wema-System AS**, Laksevåg (NO)

*Primary Examiner*—T. Chase Nelson

(\*\*) Term: **14 Years**

*Assistant Examiner*—Ania K Dworzecka

(21) Appl. No.: **29/335,754**

(74) *Attorney, Agent, or Firm*—Fredrikson & Byron, P.A.

(22) Filed: **Apr. 21, 2009**

(57) **CLAIM**

(51) **LOC (9) Cl.** ..... **23-03**

The ornamental design for a level sensor and heating unit, as shown and described.

(52) **U.S. Cl.** ..... **D23/316; D10/101**

(58) **Field of Classification Search** ..... D23/323,  
D23/314, 316, 322, 321; D15/7; 392/308,  
392/341; 219/628, 630; D10/101, 102, 103  
See application file for complete search history.

**DESCRIPTION**

FIG. 1 is a front perspective view of a level sensor and heating unit showing my new design;

FIG. 2 is a right side elevation view thereof;

FIG. 3 is a top plan view thereof; and,

FIG. 4 is rear elevation view.

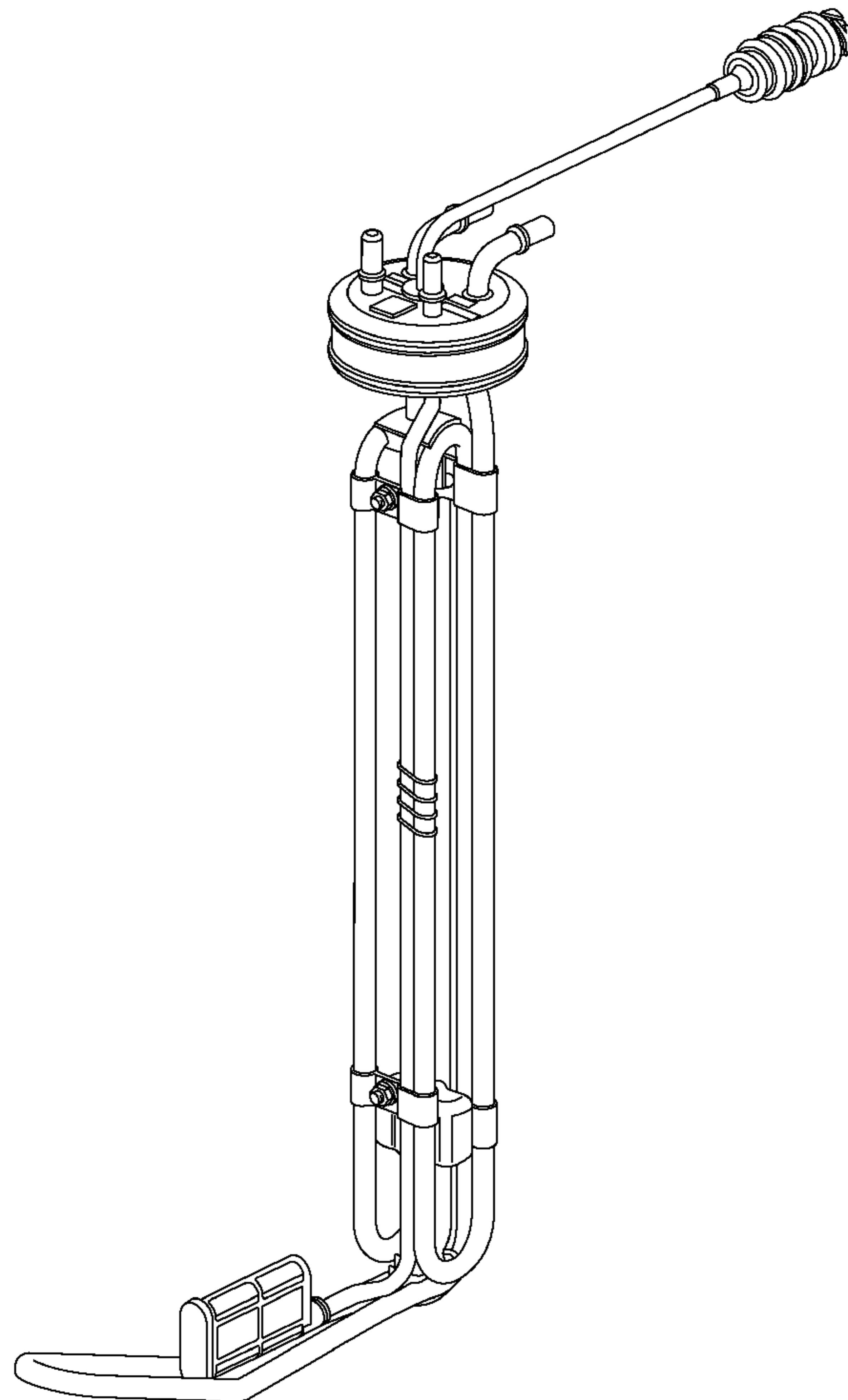
In the drawings, the broken lines shown in the Figures depict unclaimed subject matter only and form no part of the claimed design.

(56) **References Cited**

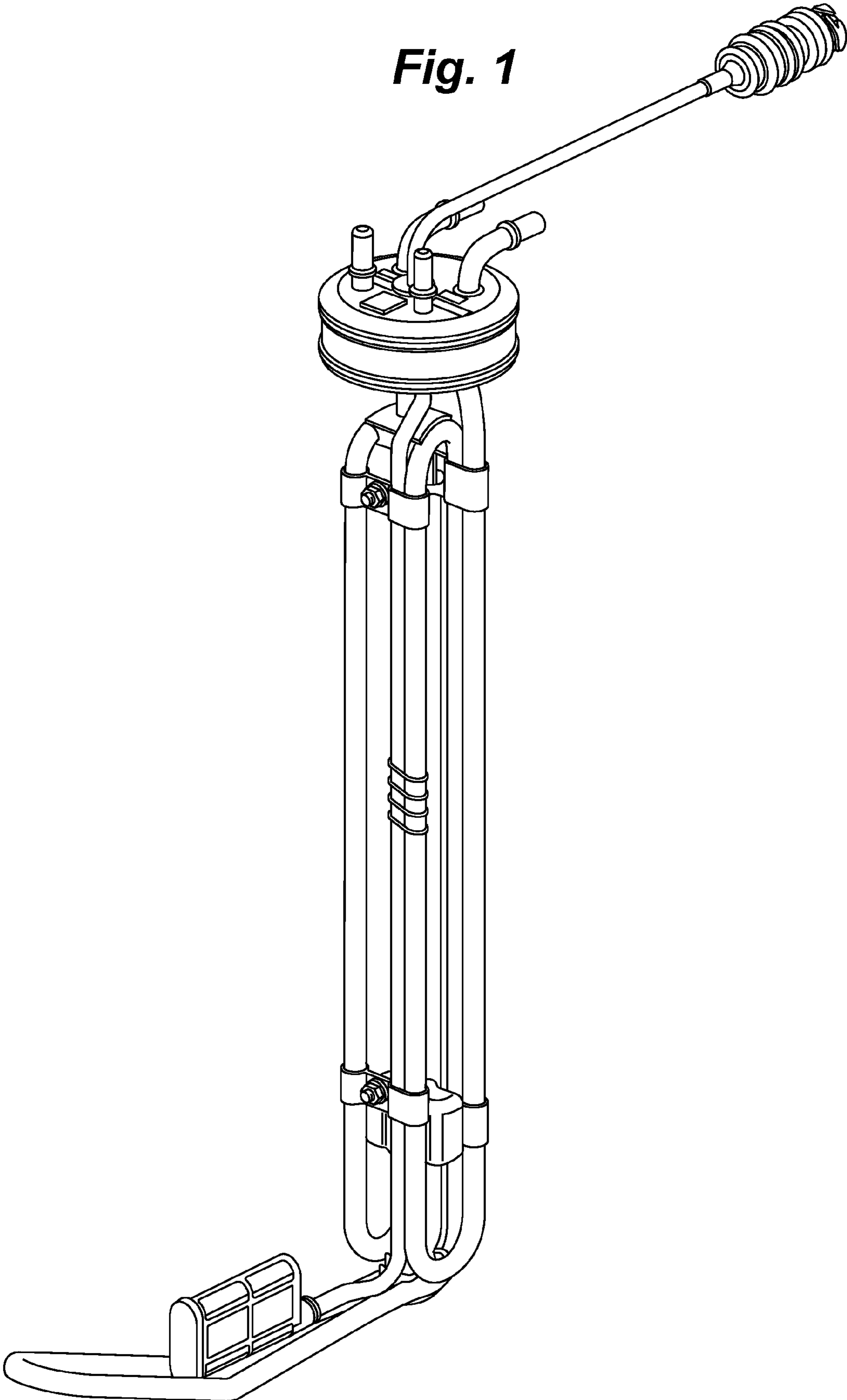
U.S. PATENT DOCUMENTS

1,190,289 A \* 7/1916 Herz ..... 392/481  
1,522,992 A \* 1/1925 Abbott ..... 219/538  
2,070,635 A \* 2/1937 White ..... 219/525  
D139,313 S \* 10/1944 Landerman ..... D23/323  
2,902,581 A \* 9/1959 Stibel ..... 219/513

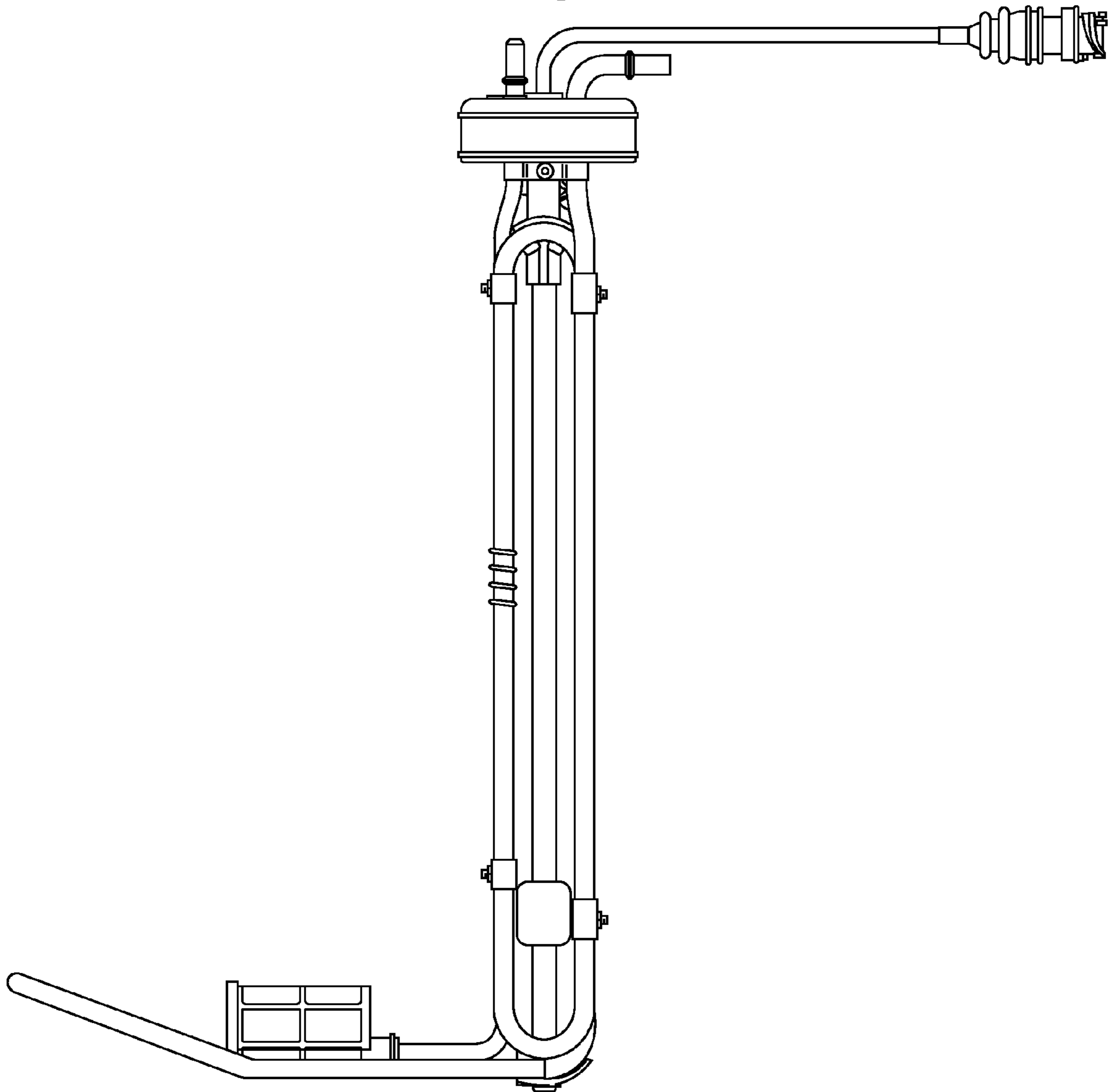
**1 Claim, 4 Drawing Sheets**



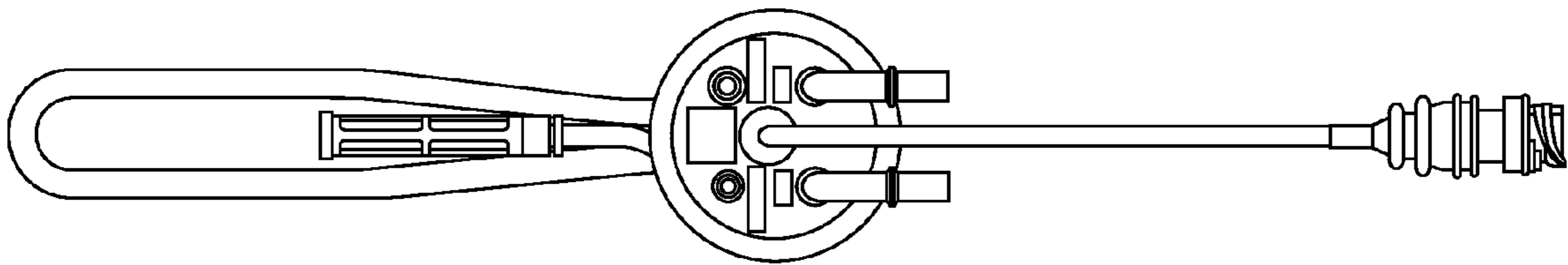
*Fig. 1*



**Fig. 2**



**Fig. 3**



**Fig. 4**

