



US00D619684S

(12) **United States Design Patent**  
**Ogawa**

(10) **Patent No.:** **US D619,684 S**  
(45) **Date of Patent:** **\*\* Jul. 13, 2010**

(54) **PORTION OF TOILET**

(75) Inventor: **Hirohisa Ogawa**, Zushi (JP)  
(73) Assignee: **Goshigaisha Ogawa Kokusan Shoten**  
(JP)  
(\*\*) Term: **14 Years**  
(21) Appl. No.: **29/355,160**  
(22) Filed: **Feb. 3, 2010**

**Related U.S. Application Data**

(62) Division of application No. 29/331,678, filed on Jan. 30, 2009.  
(51) **LOC (9) Cl.** ..... **23-02**  
(52) **U.S. Cl.** ..... **D23/295**  
(58) **Field of Classification Search** ..... D23/273-274,  
D23/295-301, 309; 4/663-664, 300, 329,  
4/353, 420, 443, 449, 902  
See application file for complete search history.

(56) **References Cited**

**U.S. PATENT DOCUMENTS**

D586,896 S 2/2009 Toyohara  
D594,535 S 6/2009 Bucher

*Primary Examiner*—Robert A Delehanty  
(74) *Attorney, Agent, or Firm*—Banner & Witcoff, Ltd.

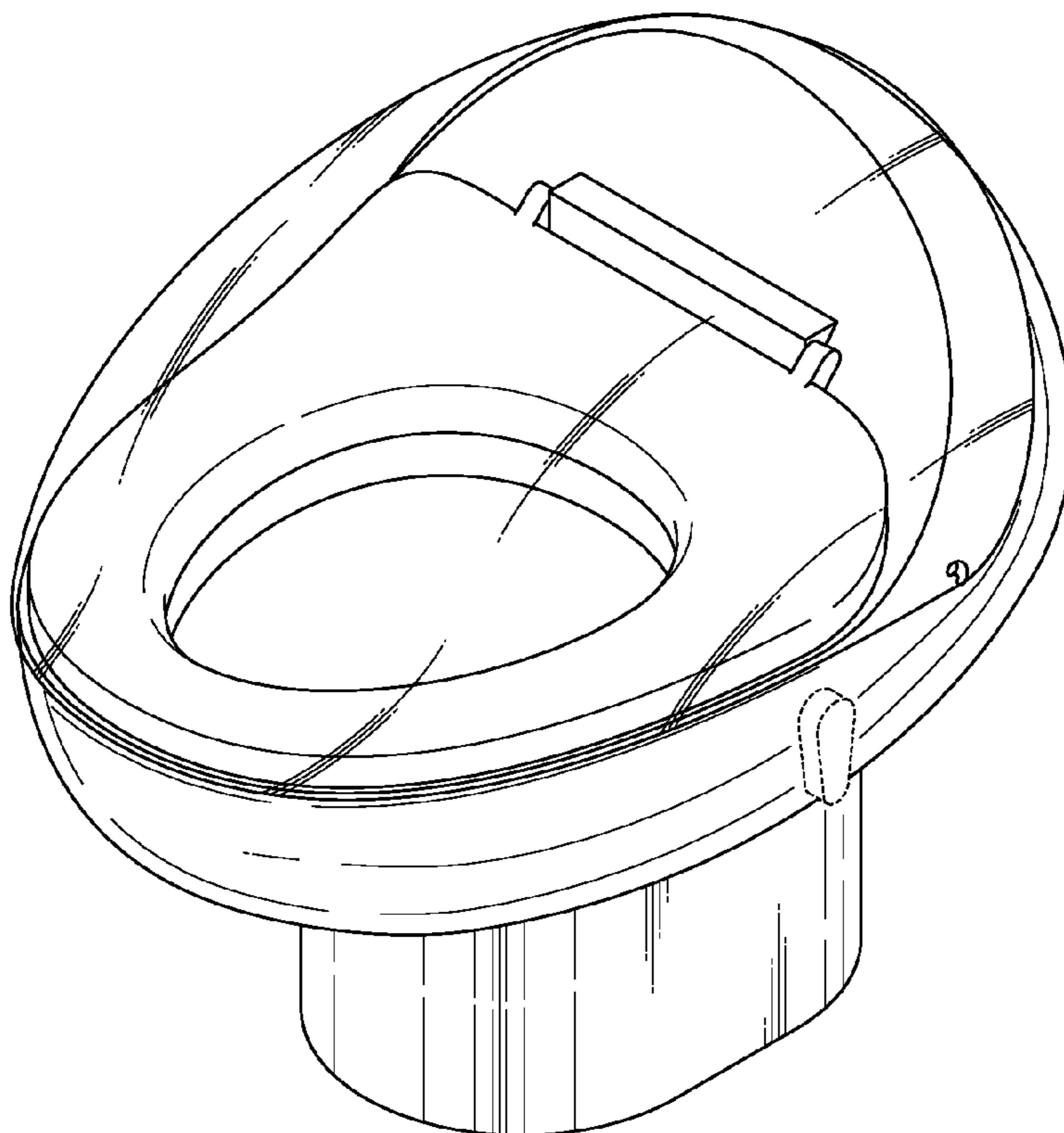
(57) **CLAIM**

The ornamental design for a portion of toilet, as shown and described.

**DESCRIPTION**

FIG. 1 is a front perspective view of a portion of toilet, showing my new design;  
FIG. 2 is a front perspective view thereof with the cover in an opened state;  
FIG. 3 is a front perspective view thereof with the cover and a toilet seat in an opened state;  
FIG. 4 is a front elevational view thereof;  
FIG. 5 is a rear elevational view thereof;  
FIG. 6 is a top plan view thereof;  
FIG. 7 is a bottom plan view thereof;  
FIG. 8 is a right side elevational view thereof;  
FIG. 9 is a left side elevational view thereof;  
FIG. 10 is a top plan view thereof with the cover in an opened state; and,  
FIG. 11 is a right side elevational view thereof with the cover and the toilet seat in an opened state.  
The broken line showing of the remainder of the toilet is for illustrative purposes only and forms no part of the claimed design.

**1 Claim, 11 Drawing Sheets**



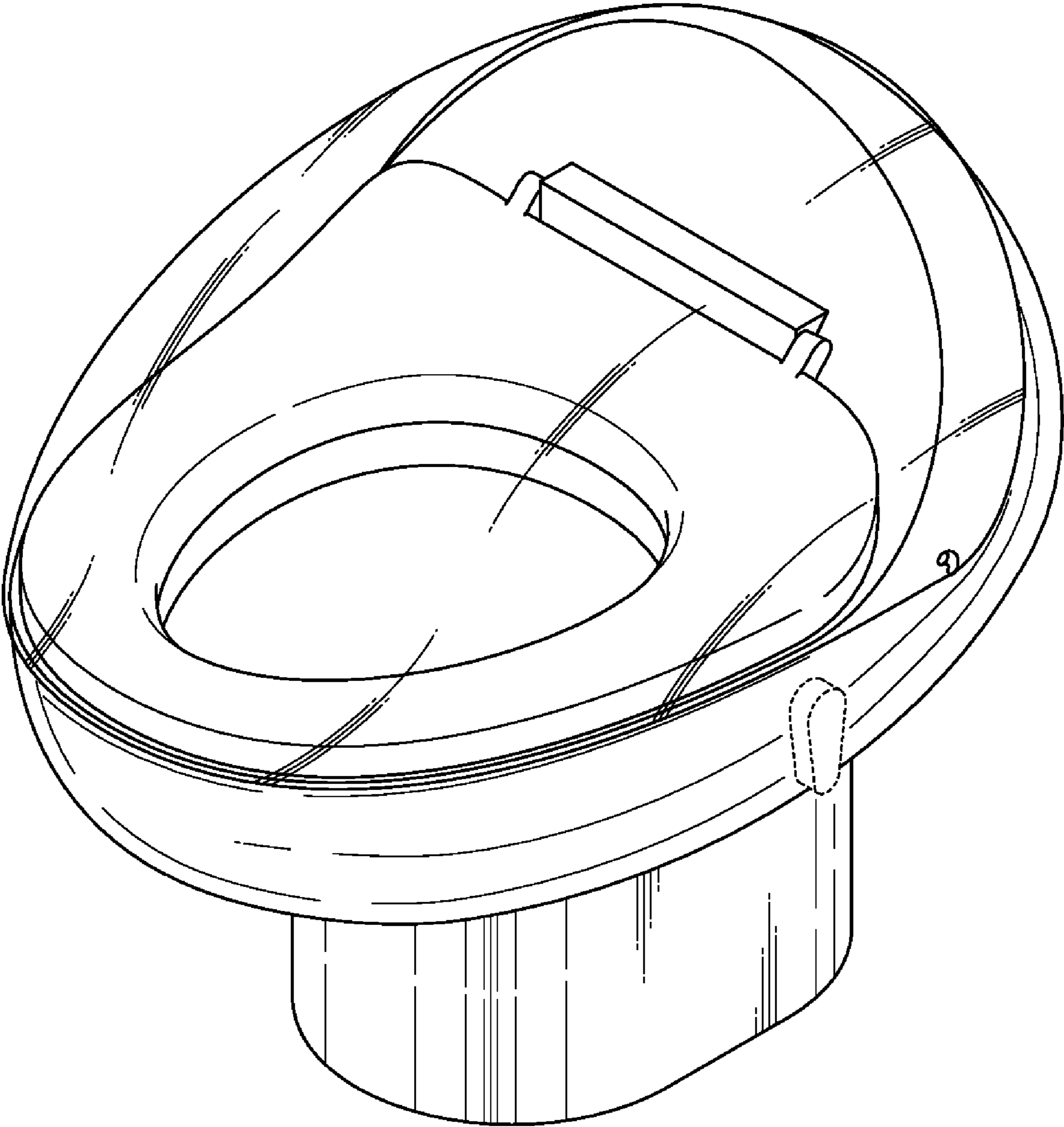


FIG. 1

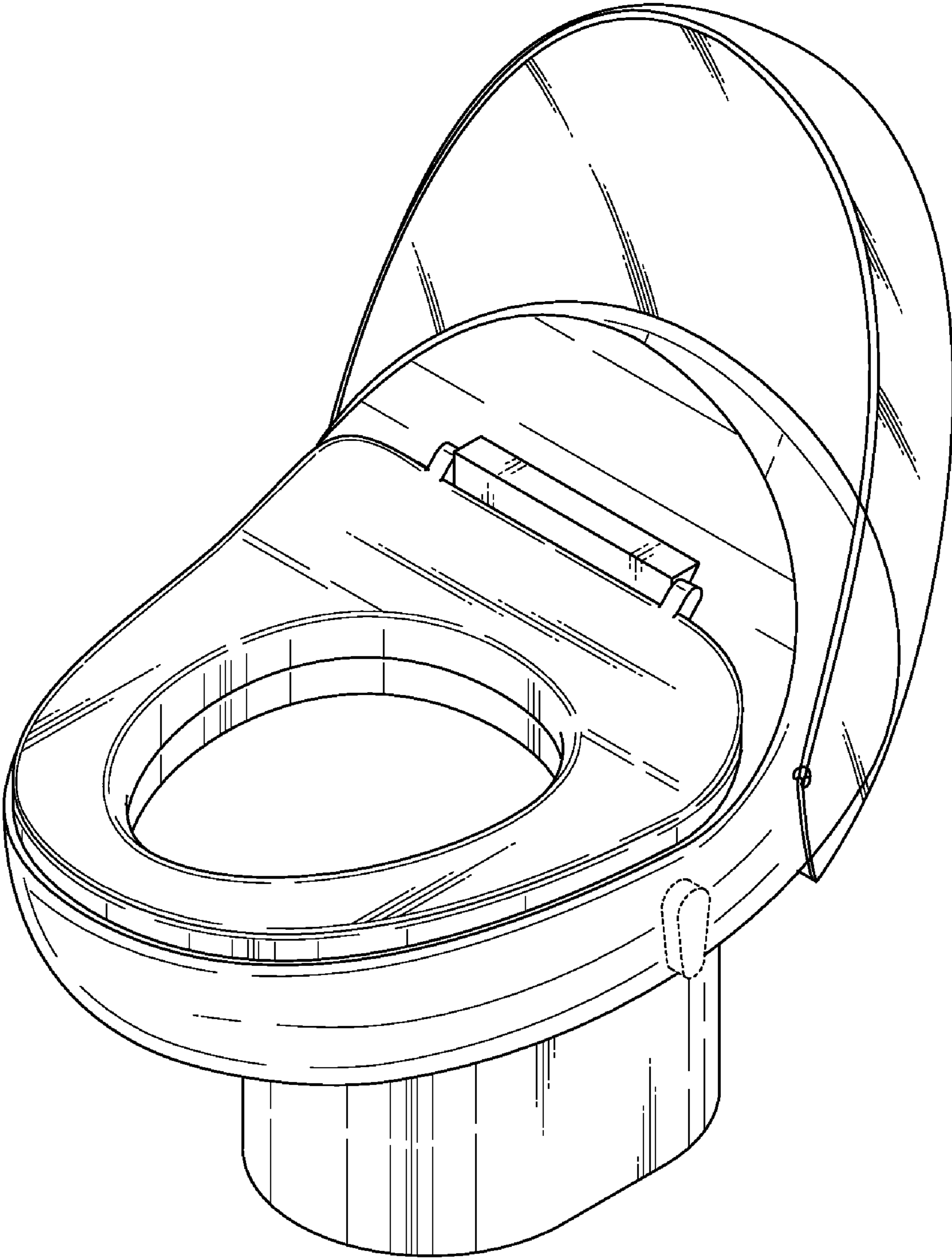


FIG. 2

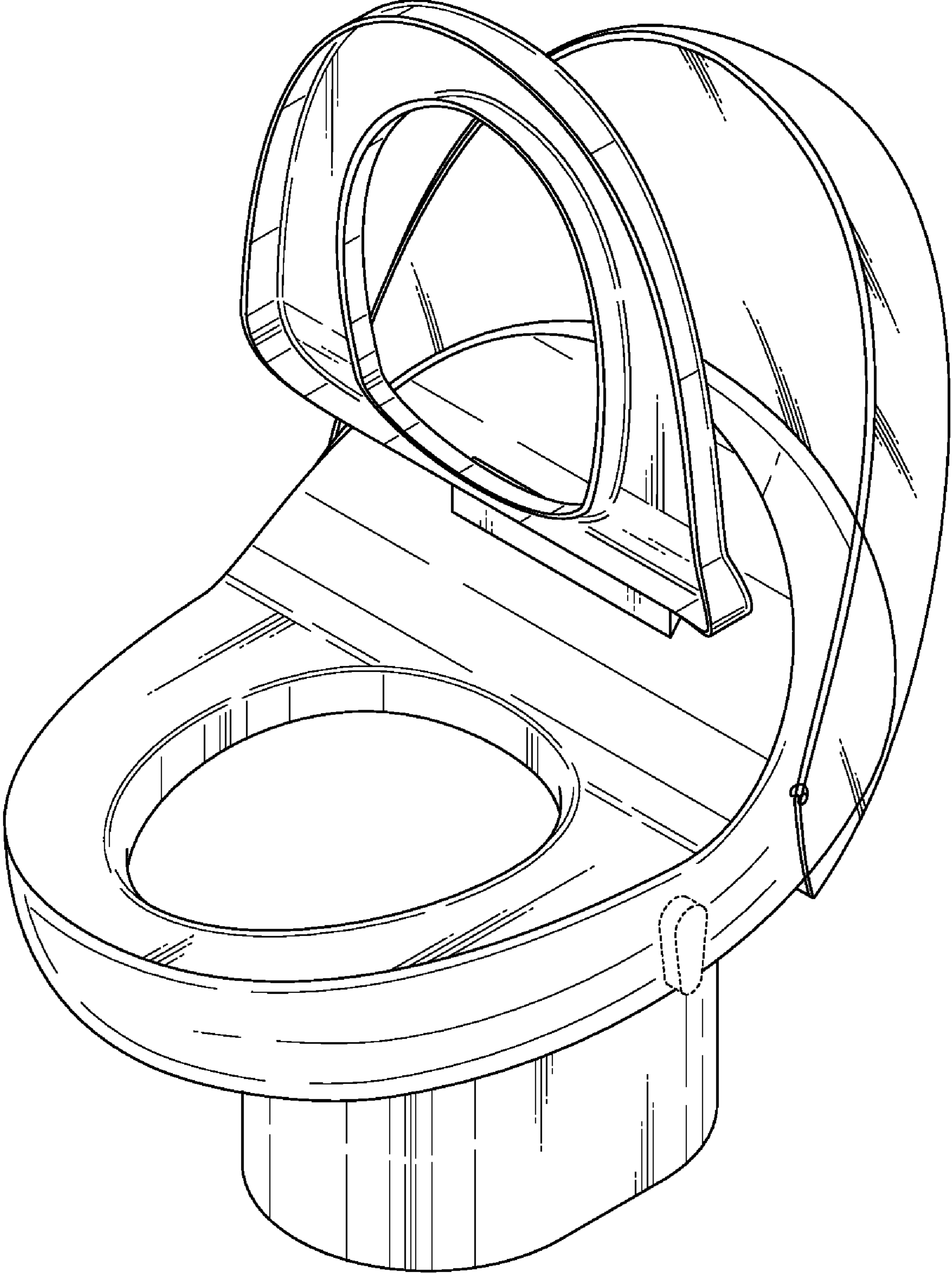


FIG. 3



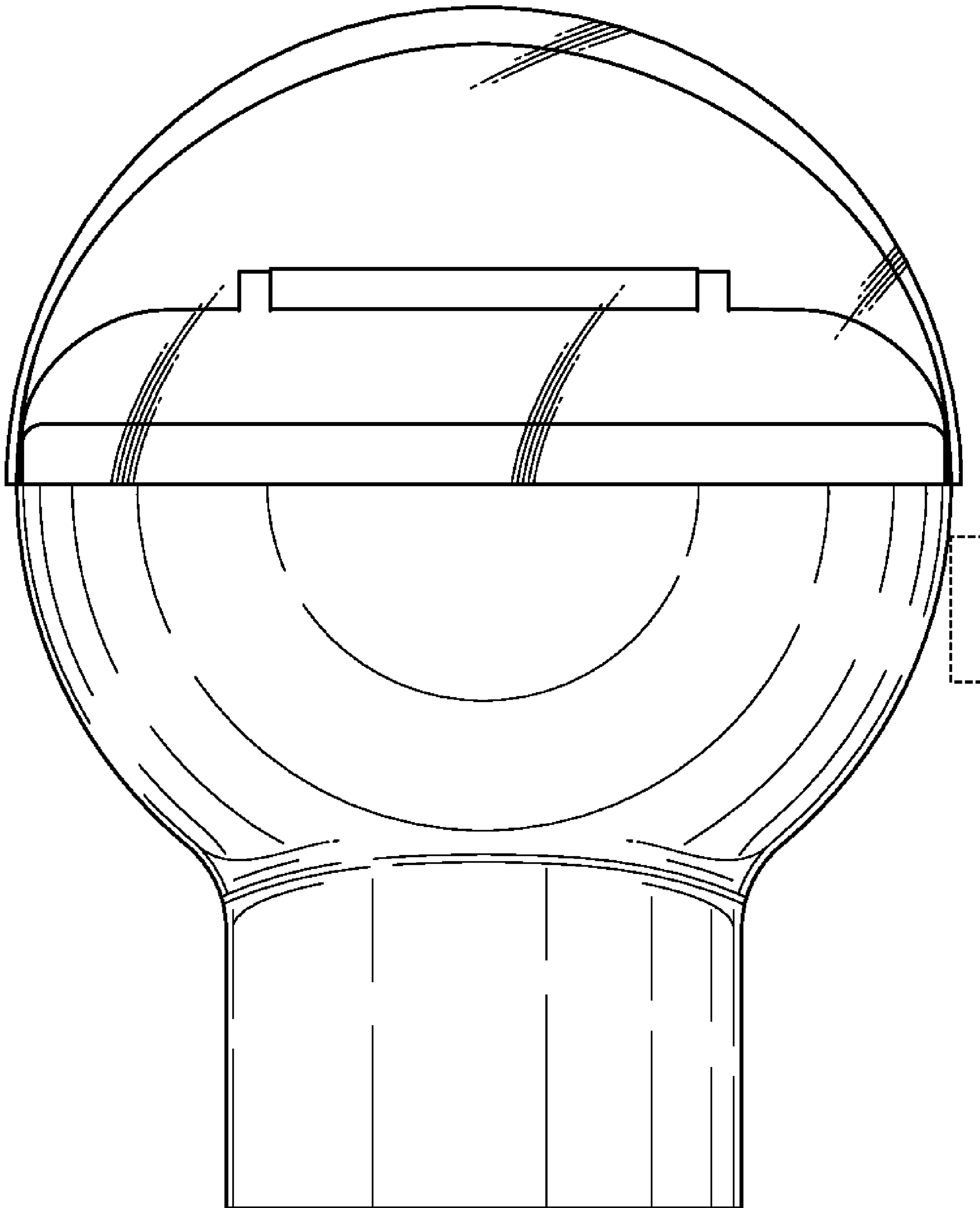


FIG. 4

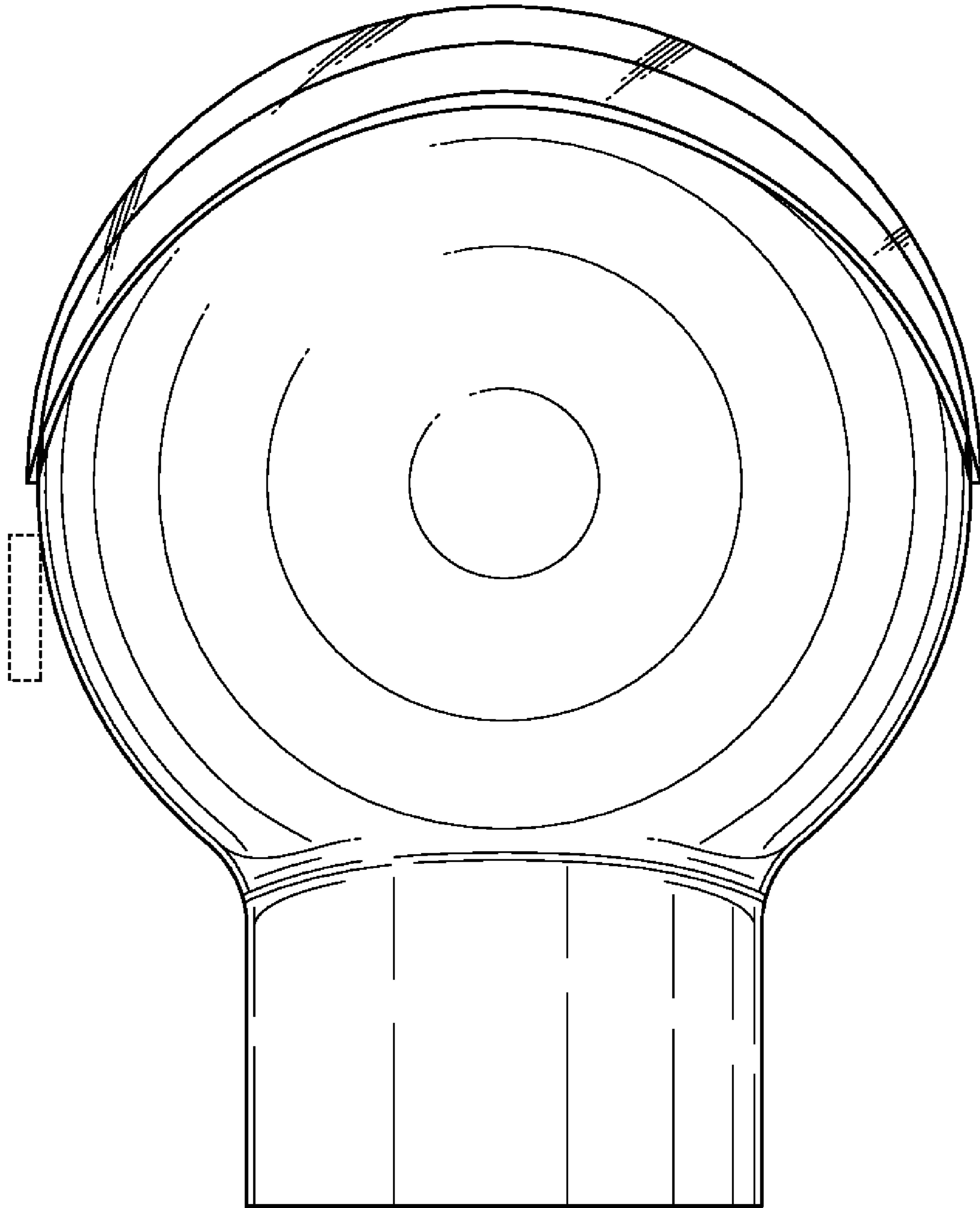


FIG. 5

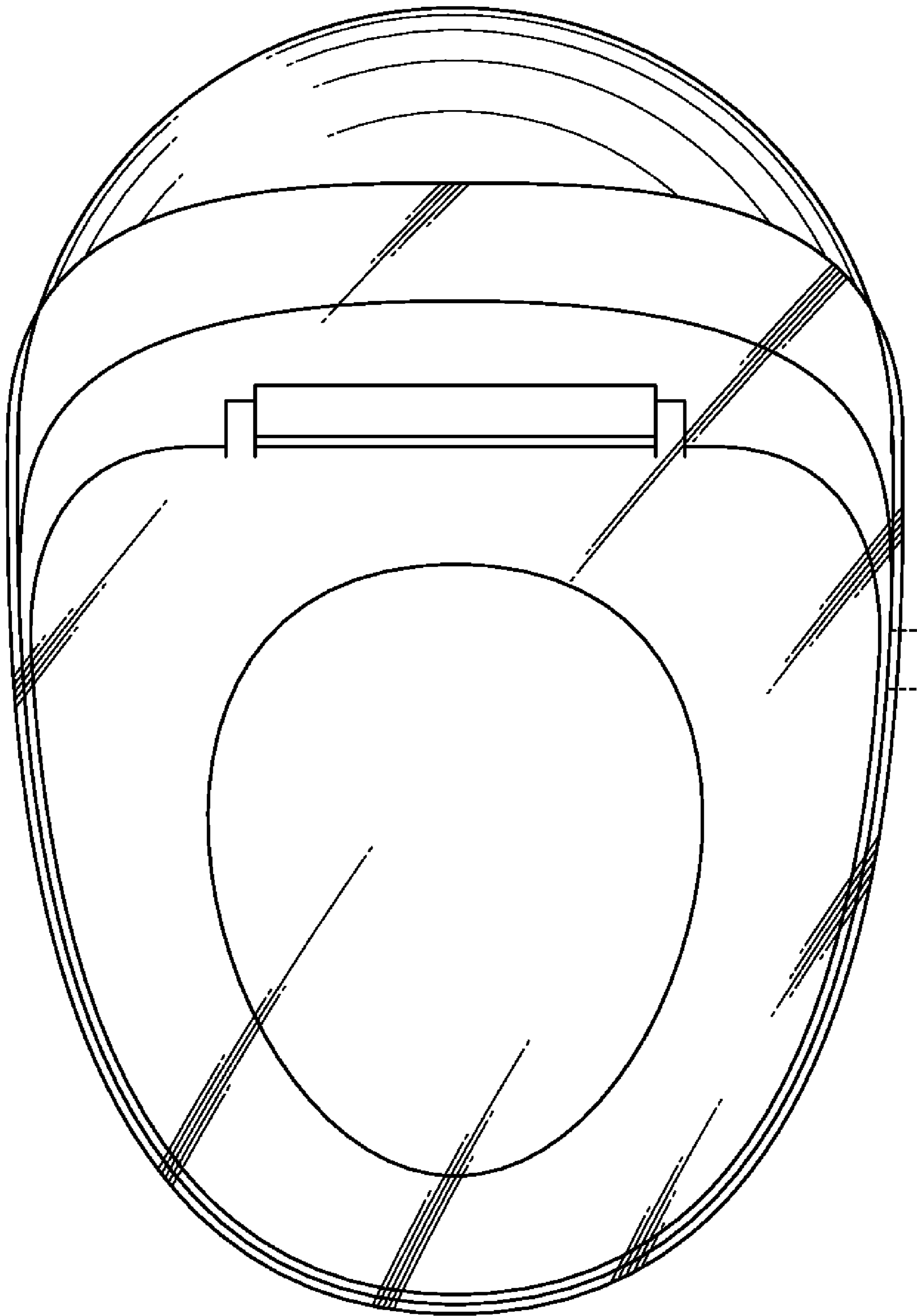


FIG. 6

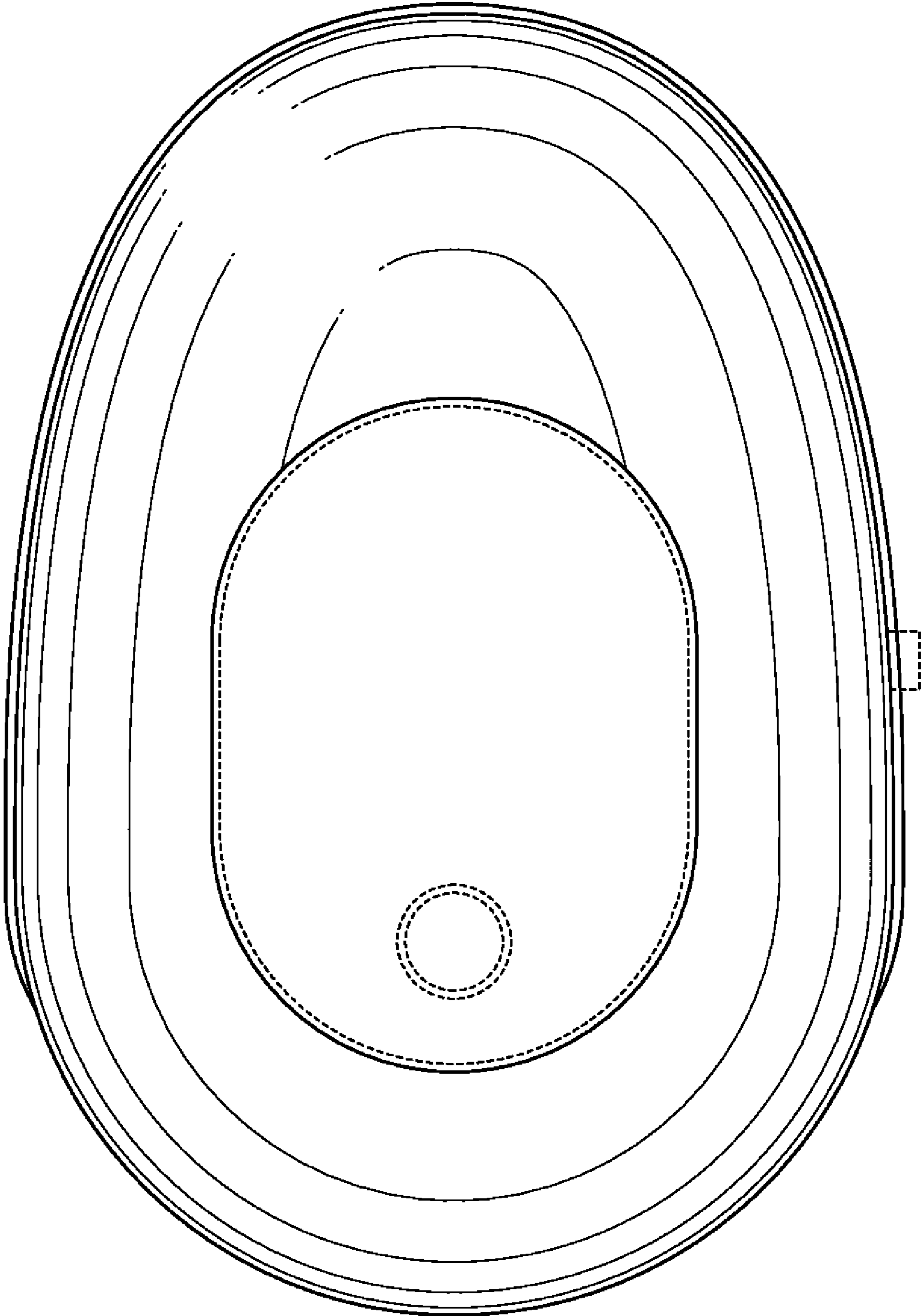


FIG. 7



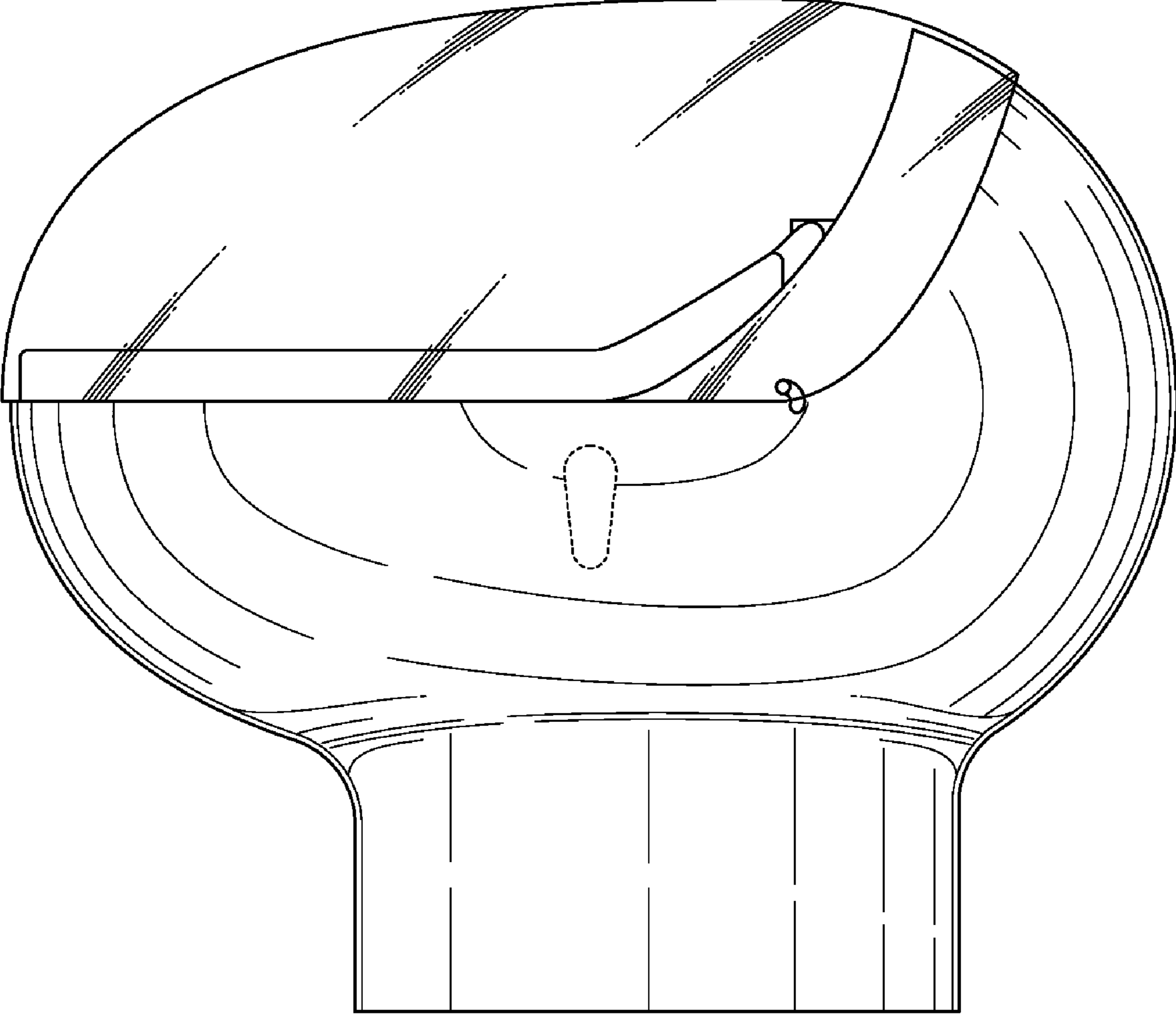


FIG. 8

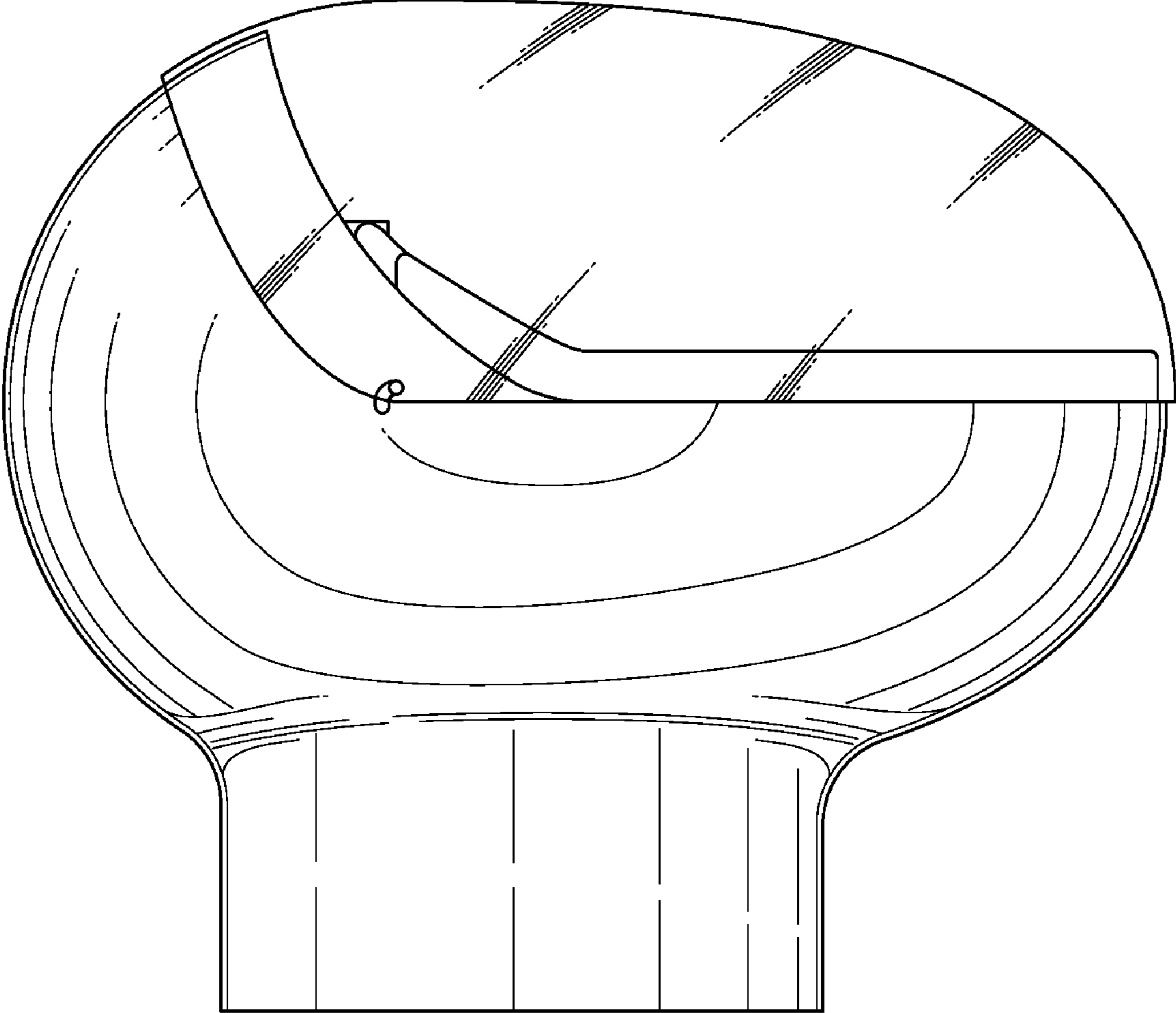


FIG. 9

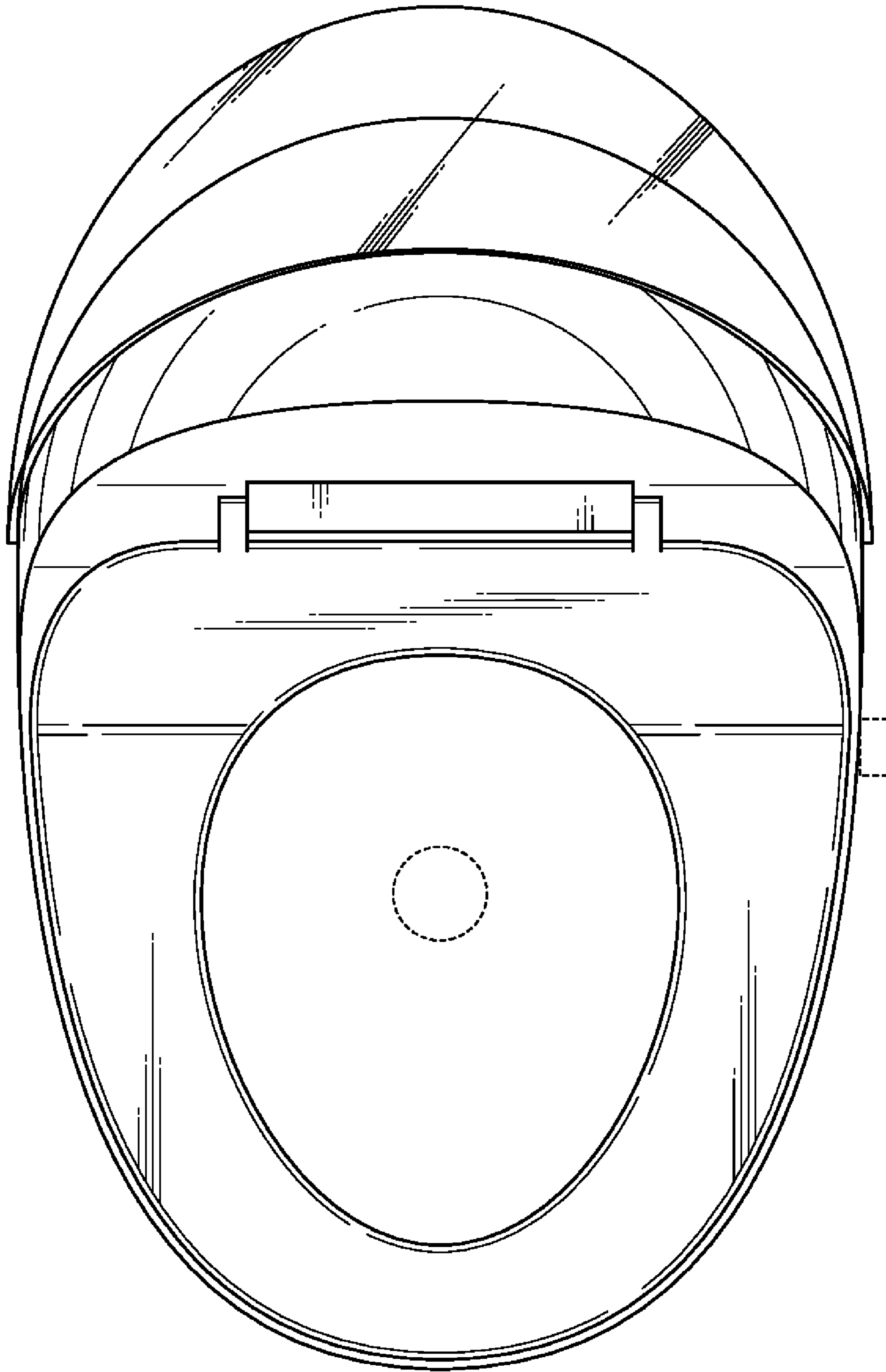


FIG. 10

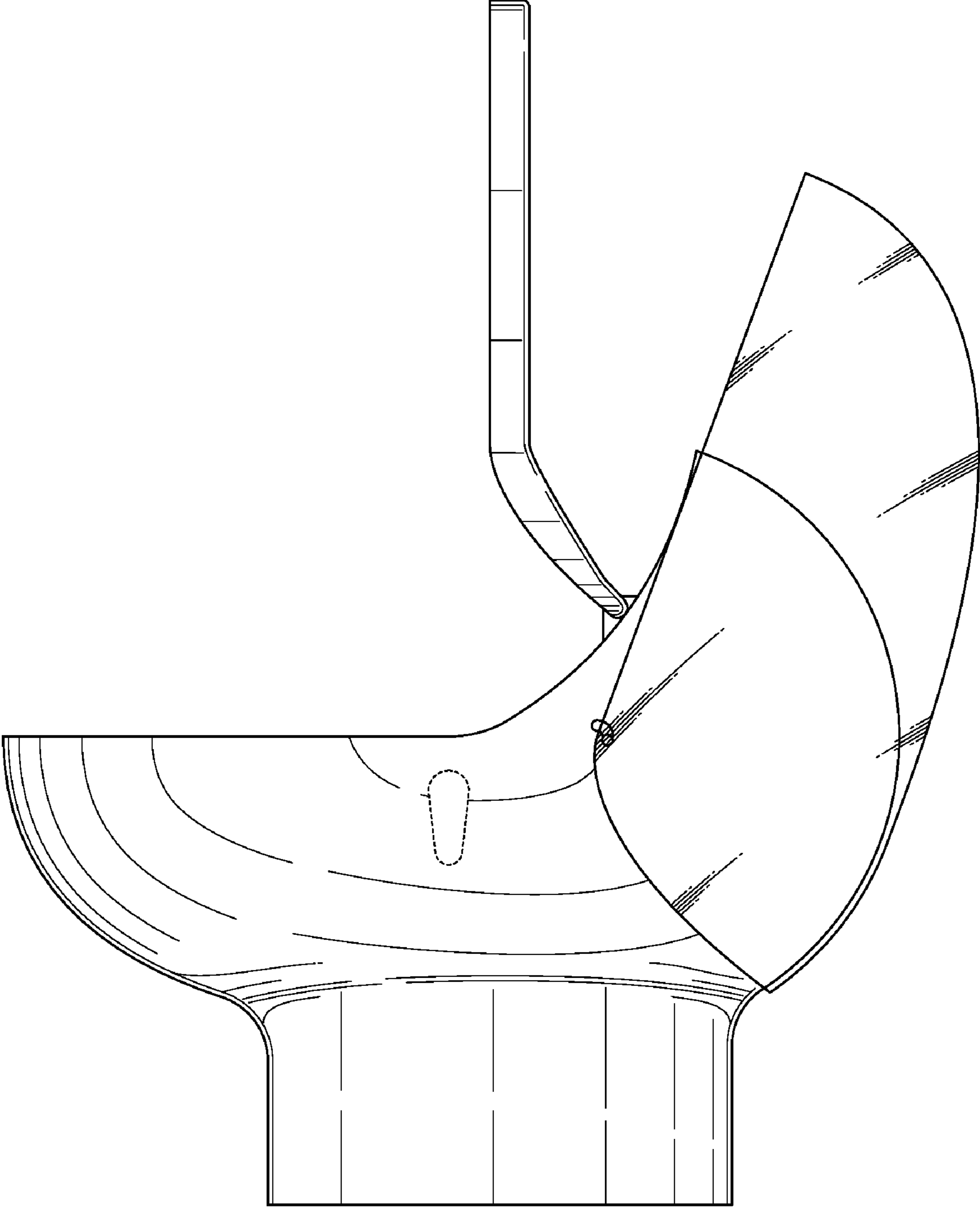


FIG. 11