



US00D619683S

(12) **United States Design Patent**
Bouroullec et al.

(10) **Patent No.:** **US D619,683 S**
(45) **Date of Patent:** **** Jul. 13, 2010**

(54) **WASH BASIN**

(75) Inventors: **Erwan Bouroullec**, Paris (FR); **Ronan Bouroullec**, Paris (FR)

(73) Assignee: **Hansgrohe AG**, Schiltach (DE)

(**) Term: **14 Years**

(21) Appl. No.: **29/342,282**

(22) Filed: **Aug. 21, 2009**

(30) **Foreign Application Priority Data**

Apr. 8, 2009 (EP) 001157002-0002

(51) **LOC (9) Cl.** **23-02**

(52) **U.S. Cl.** **D23/284**

(58) **Field of Classification Search** D23/284-285,
D23/293.1, 308; 4/619, 631, 650, 660
See application file for complete search history.

(56) **References Cited**

U.S. PATENT DOCUMENTS

D463,538 S * 9/2002 Chipperfield D23/284
D560,777 S * 1/2008 Hanna D23/293.1
D587,788 S * 3/2009 Kergoet D23/284
D606,175 S * 12/2009 Bock et al. D23/287
D609,315 S * 2/2010 Soulier D23/293.1

OTHER PUBLICATIONS

Brochure—2005 Rapsel, 3 pgs., Rapsel spa, Settimo Milanese (MI), Italy (at least as early as Sep. 27, 2005).

Brochure—Flaminia Collezione, 3 pgs., Ceramica Faminia s.p.a., Civita Castellana (VT), Italy (at least as early as Sep. 20, 2006).

Brochure—www.antoniolupi.it, 3 pgs., Antonio Lupi Design S.p.A., Cerreto Guidi / (Firenze), Italy (at least as early as Sep. 30, 2003).

* cited by examiner

Primary Examiner—Robert A Delehanty

(74) *Attorney, Agent, or Firm*—Nirav D. Parikh; Edgar A. Zarins

(57) **CLAIM**

The ornamental design for a wash basin, as shown and described.

DESCRIPTION

FIG. 1 is a perspective view of a wash basin showing our design;

FIG. 2 is a front elevational view thereof;

FIG. 3 is a rear elevational view thereof;

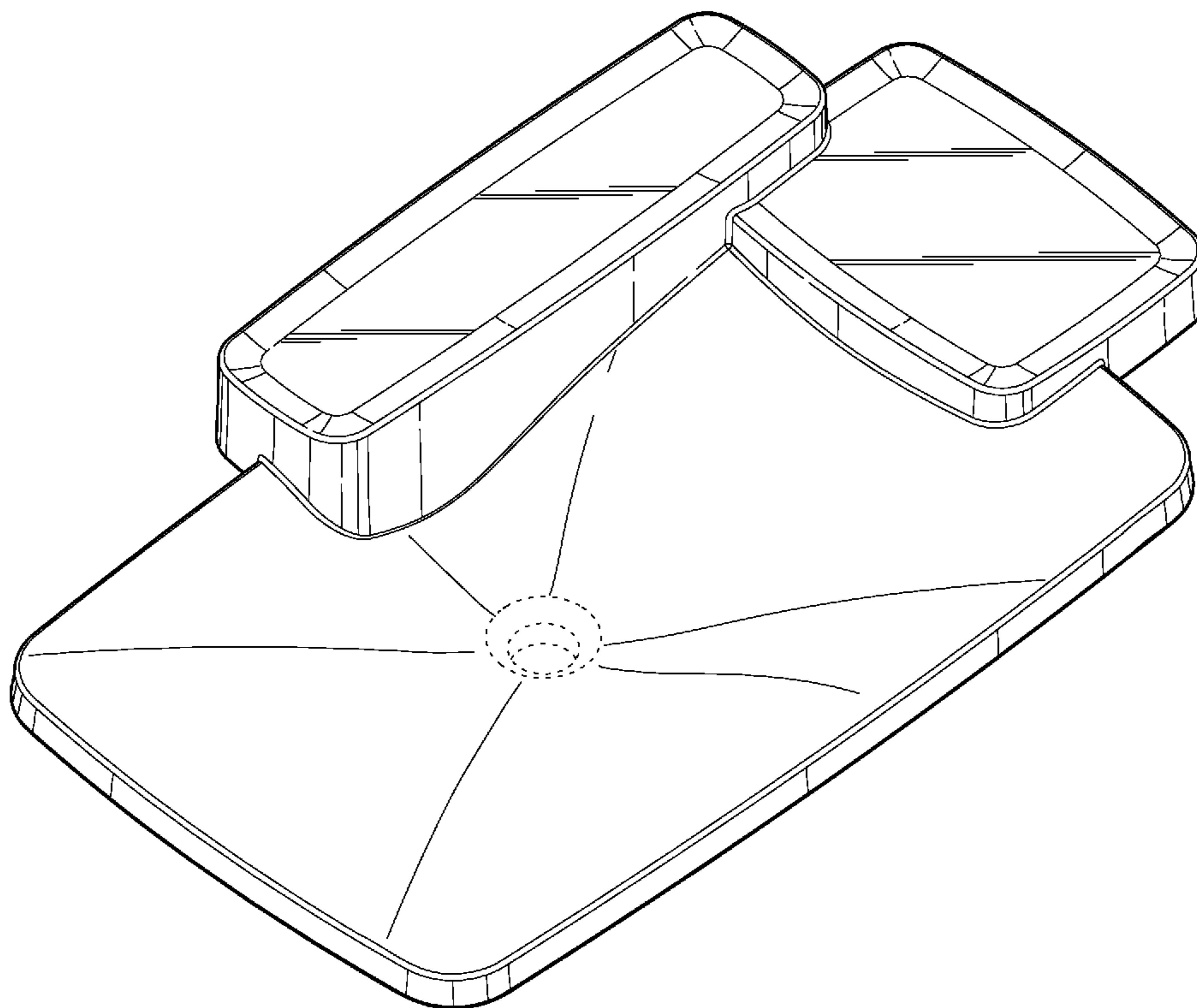
FIG. 4 is a left side elevational view thereof;

FIG. 5 is a right side elevational view thereof; and,

FIG. 6 is a top plan view thereof.

The broken lines in the drawings represent unclaimed portions of the wash basin and form no part thereof.

1 Claim, 6 Drawing Sheets



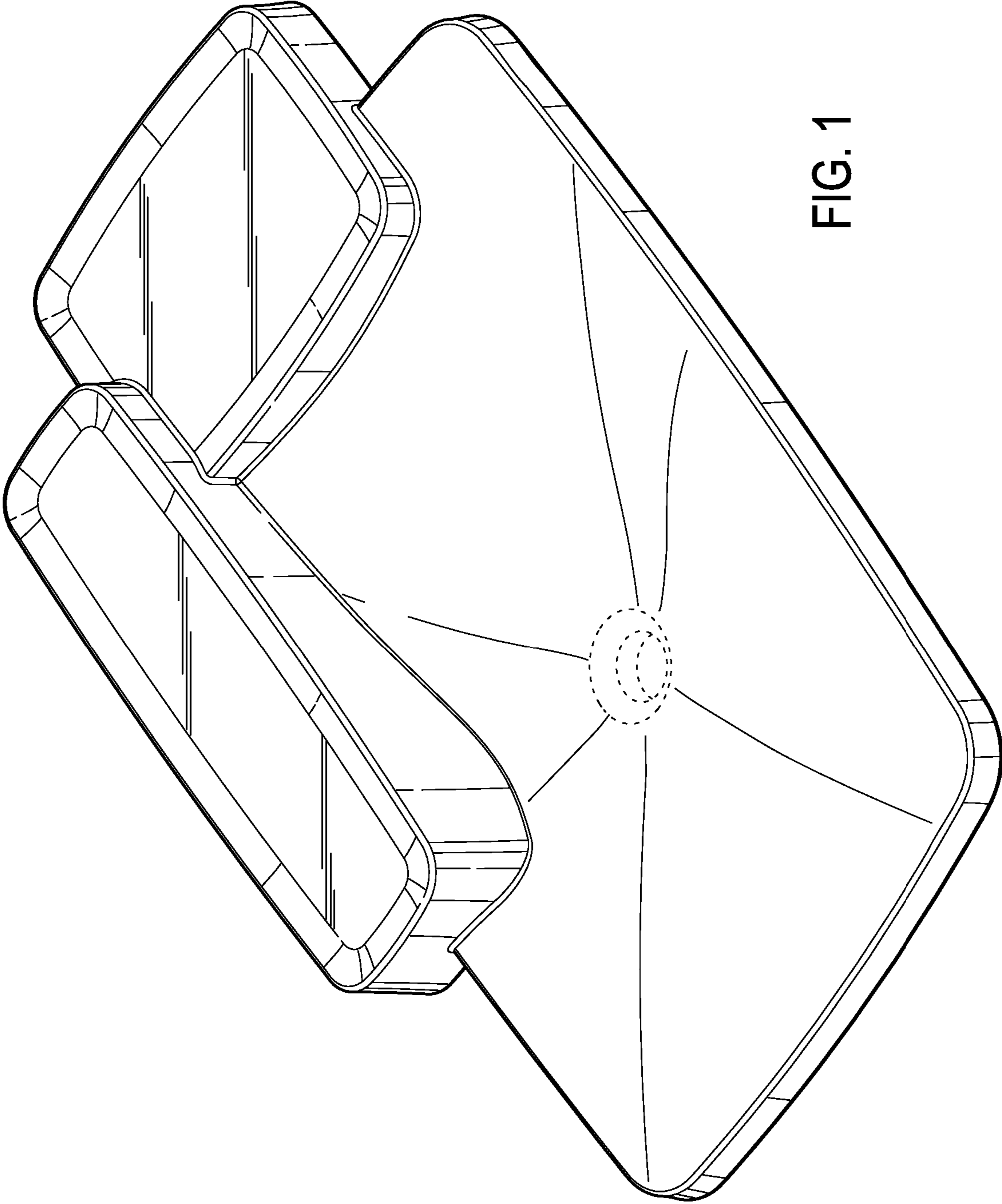


FIG. 1

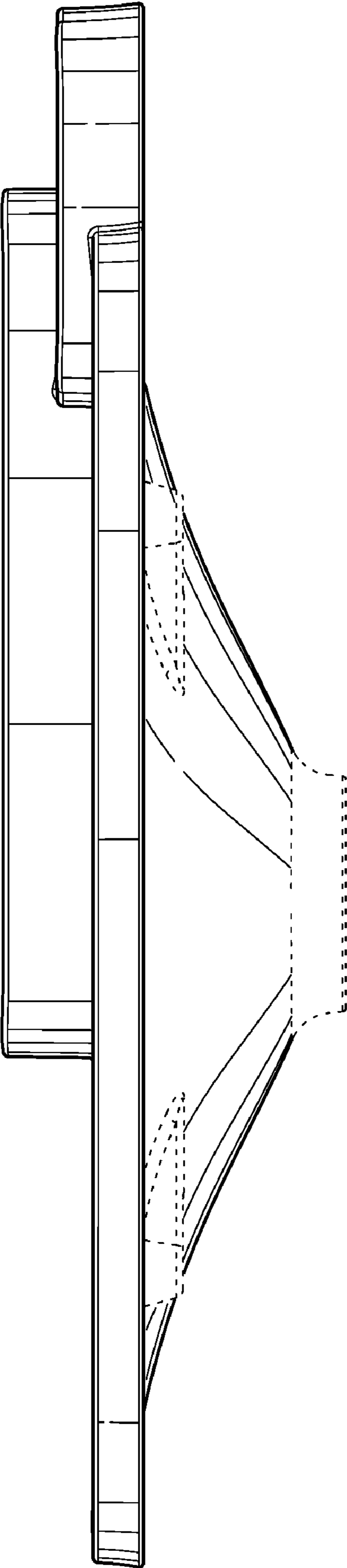


FIG. 2

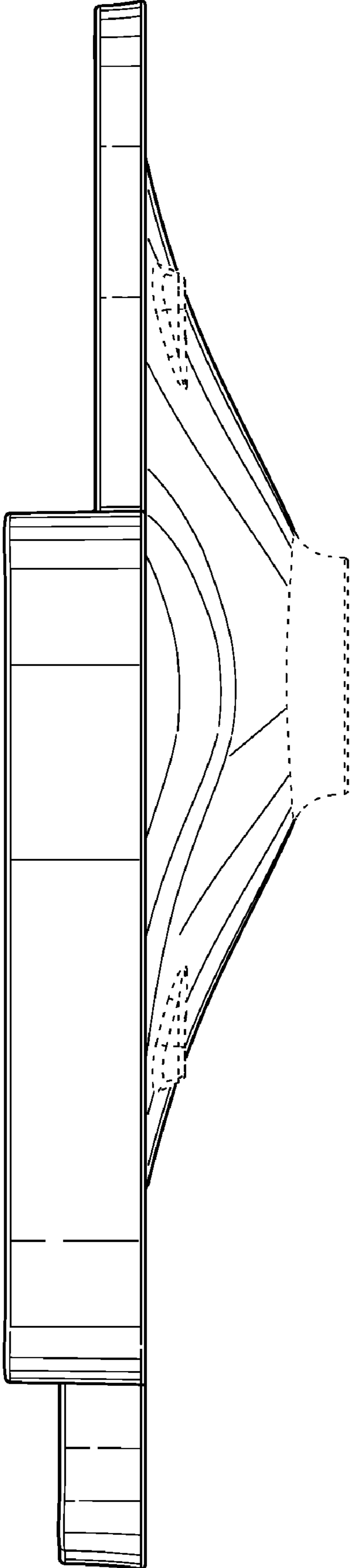


FIG. 3

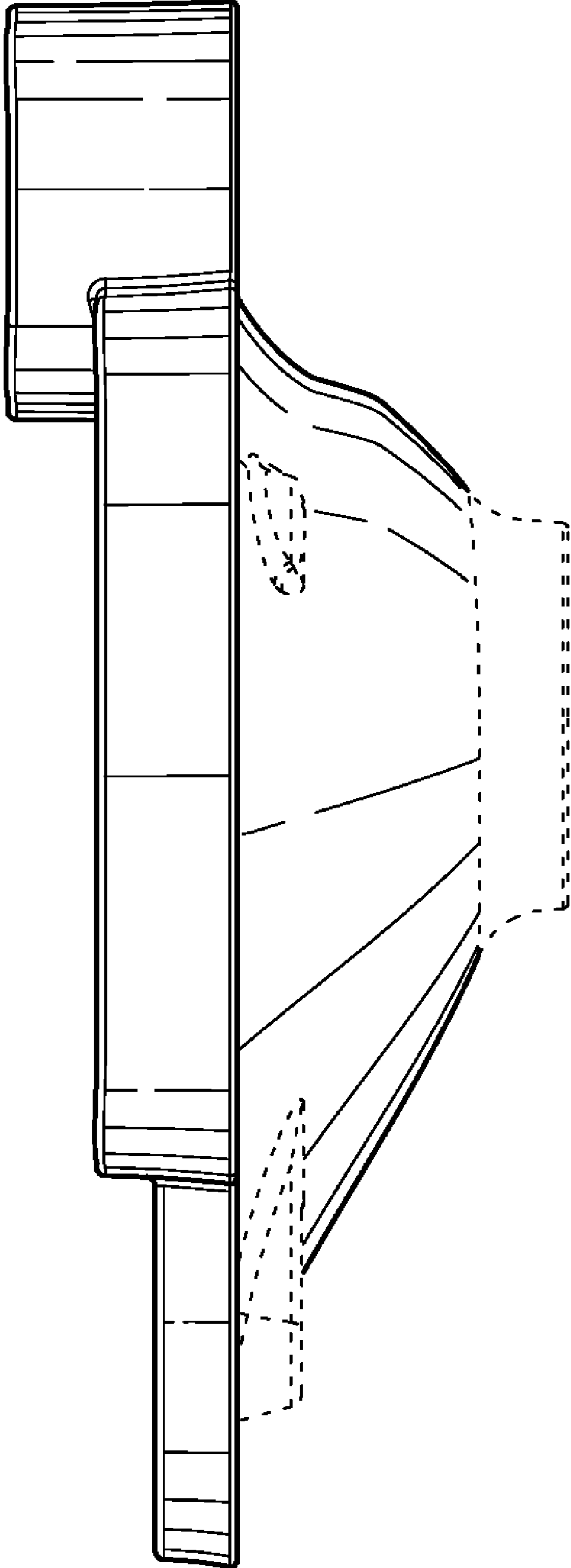


FIG. 4

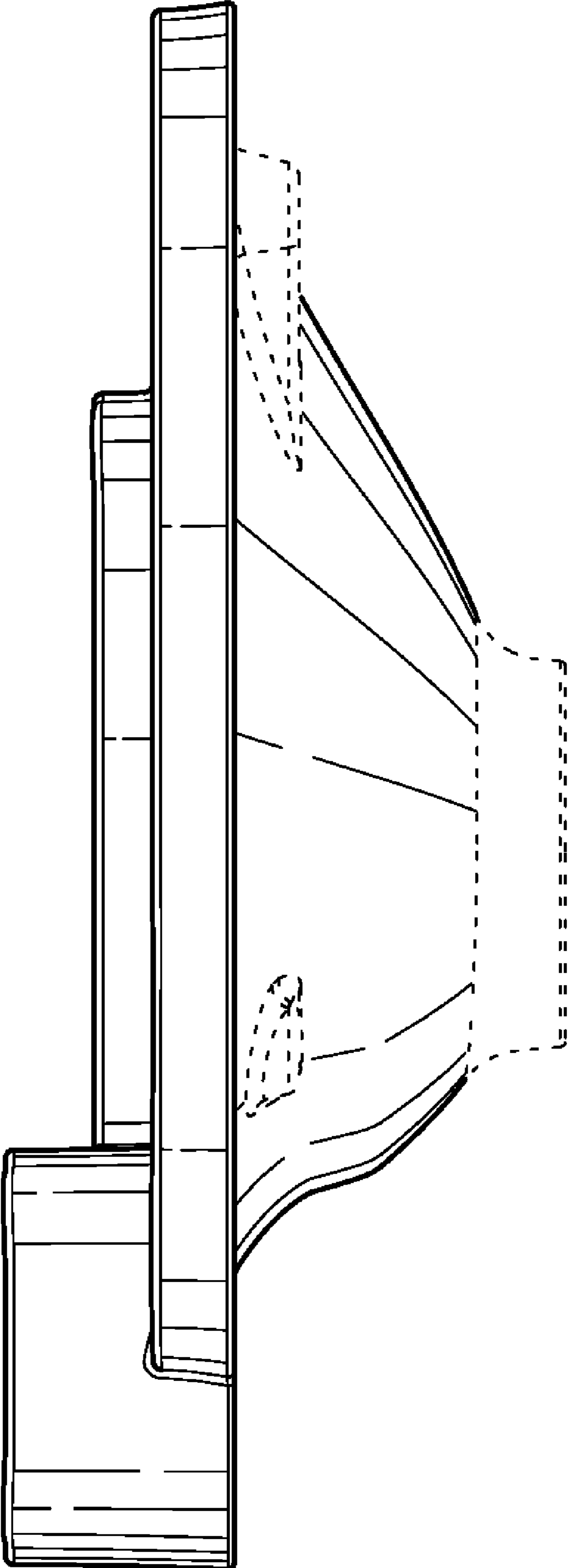


FIG. 5

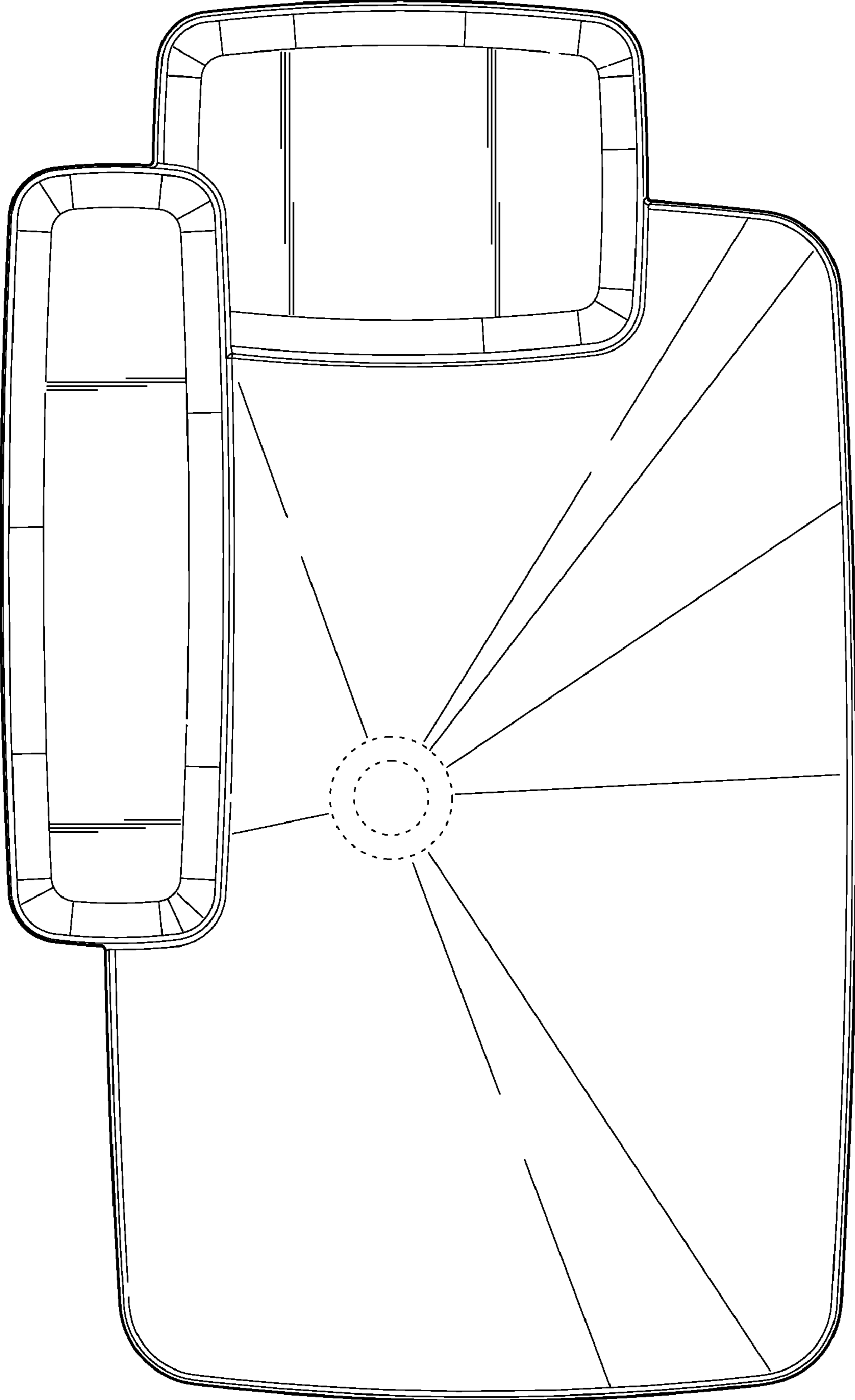


FIG. 6