



US00D619682S

(12) **United States Design Patent**  
**Bouroullec et al.**

(10) **Patent No.:** **US D619,682 S**  
(45) **Date of Patent:** **\*\* Jul. 13, 2010**

(54) **WASH BASIN**

(75) Inventors: **Erwan Bouroullec**, Paris (FR); **Ronan Bouroullec**, Paris (FR)

(73) Assignee: **Hansgrohe AG**, Schiltach (DE)

(\*\*) Term: **14 Years**

(21) Appl. No.: **29/342,202**

(22) Filed: **Aug. 20, 2009**

(30) **Foreign Application Priority Data**

Jun. 3, 2009 (EM) ..... 001101125-0032

(51) **LOC (9) Cl.** ..... **23-02**

(52) **U.S. Cl.** ..... **D23/284**

(58) **Field of Classification Search** ..... D23/284-285,  
D23/293.1, 308; 4/619, 631, 650, 660  
See application file for complete search history.

(56) **References Cited**

**U.S. PATENT DOCUMENTS**

D463,538 S \* 9/2002 Chipperfield ..... D23/284  
D560,777 S \* 1/2008 Hanna ..... D23/293.1  
D606,175 S \* 12/2009 Bock et al. .... D23/287  
D609,315 S \* 2/2010 Soulier ..... D23/293.1

**OTHER PUBLICATIONS**

Brochure—2005 Rapsel, 3 pgs., Rapsel spa, Settimo Milanese (MI), Italy (at least as early as Sep. 27, 2005).

Brochure—Flaminia Collezione, 3 pgs., Ceramica Faminia s.p.a., Civita Castellana (VT), Italy (at least as early as Sep. 20, 2006).

Brochure—www.antoniolupi.it, 3 pgs., Antonio Lupi Design S.p.A., Cerreto Guidi / (Firenze), Italy (at least as early as Sep. 30, 2003).

\* cited by examiner

*Primary Examiner*—Robert A Delehanty

(74) *Attorney, Agent, or Firm*—Nirav D. Parikh; Edgar A. Zarins

(57) **CLAIM**

The ornamental design for a wash basin, as shown and described.

**DESCRIPTION**

FIG. 1 is a perspective view of a wash basin showing our design;

FIG. 2 is a front elevational view thereof;

FIG. 3 is a rear elevational view thereof;

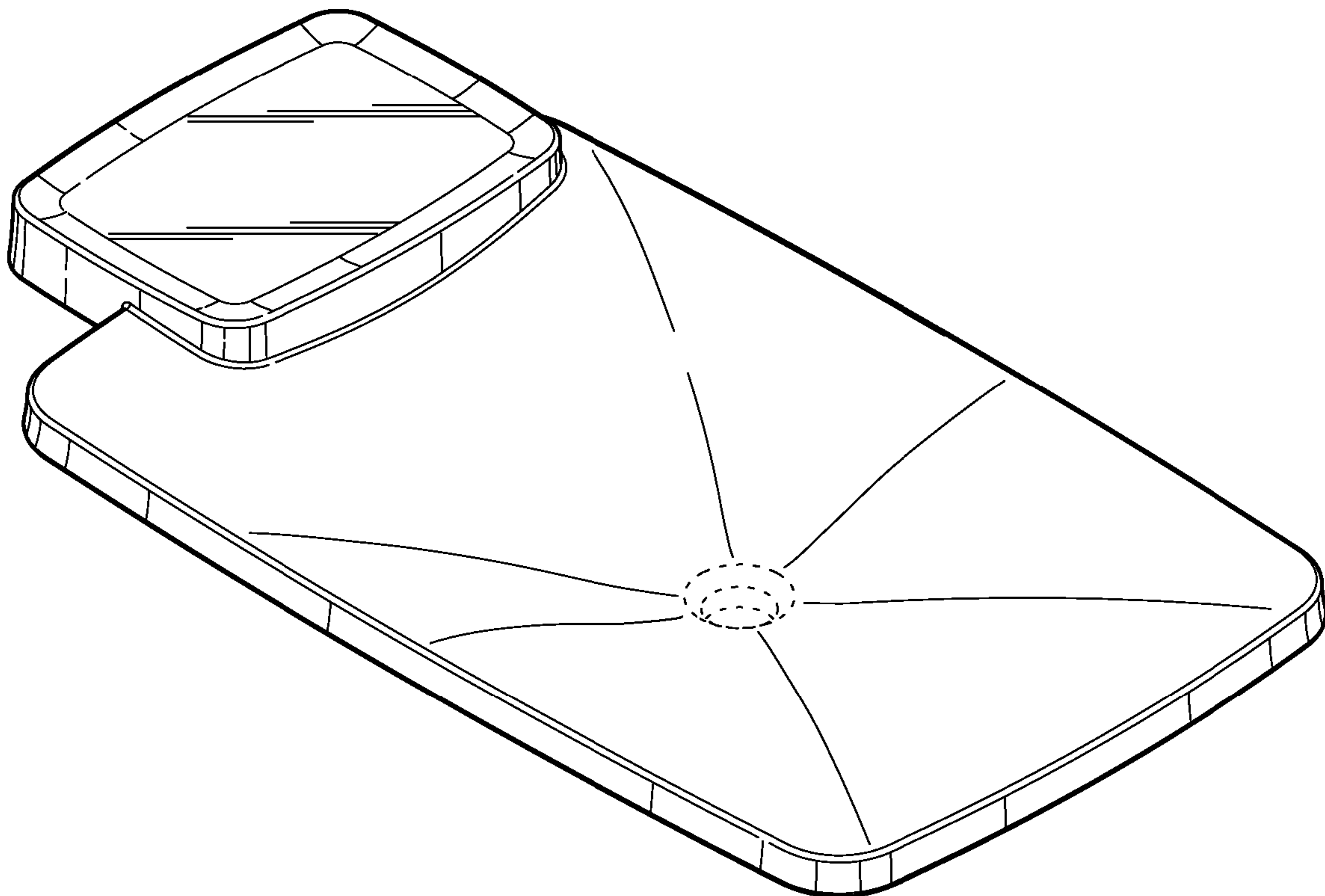
FIG. 4 is a left side elevational view thereof;

FIG. 5 is a right side elevational view thereof; and,

FIG. 6 is a top plan view thereof.

The broken lines in the drawings represent unclaimed portions of the wash basin and form no part thereof.

**1 Claim, 6 Drawing Sheets**



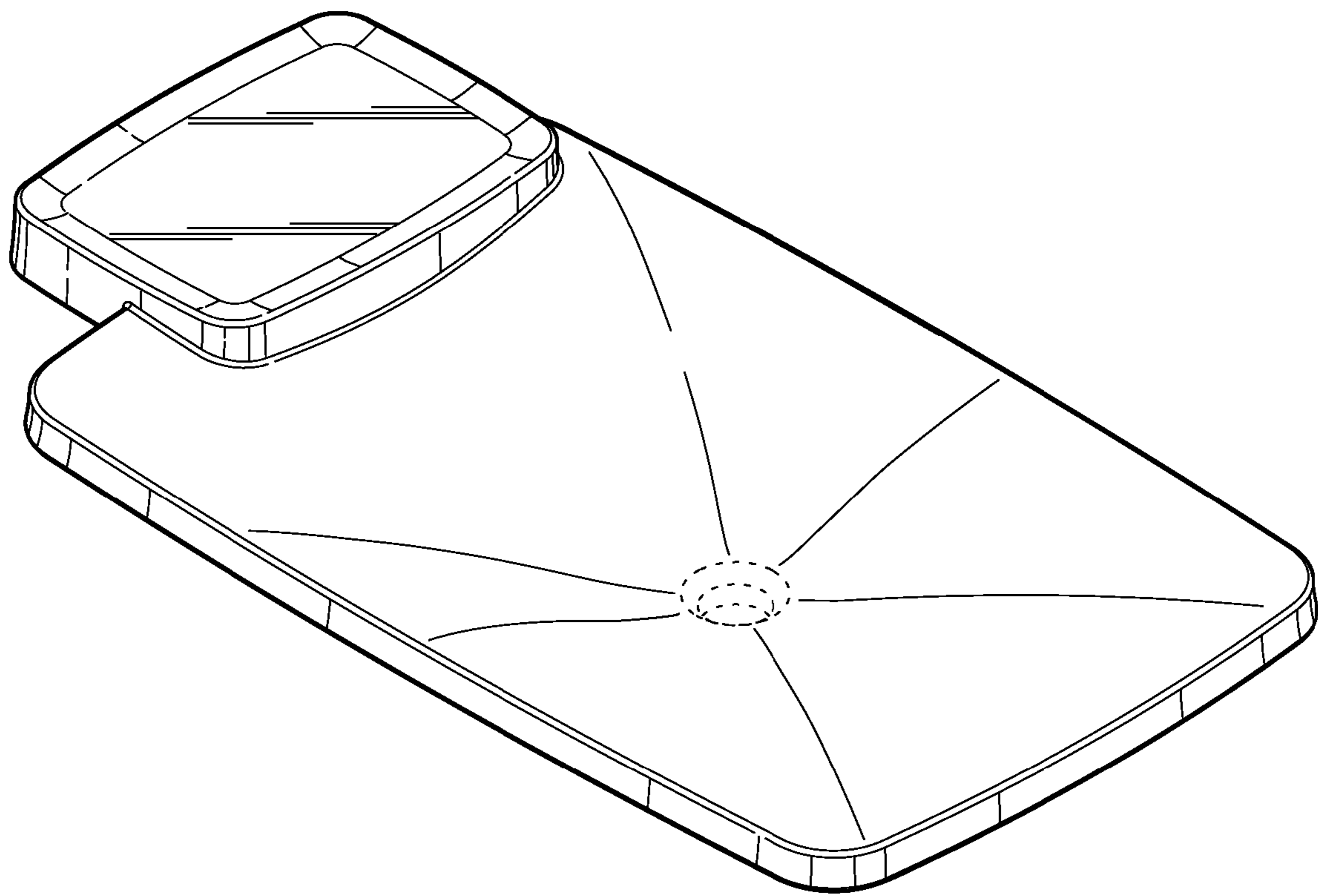


FIG. 1

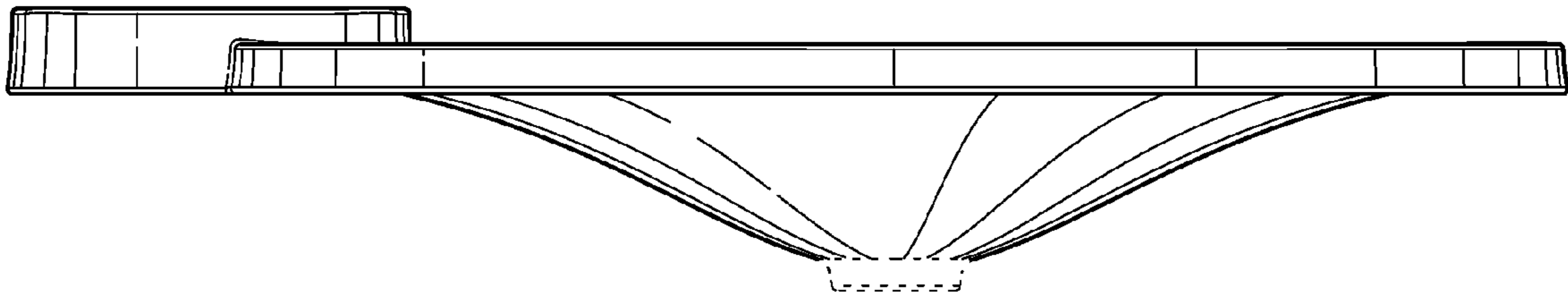


FIG. 2

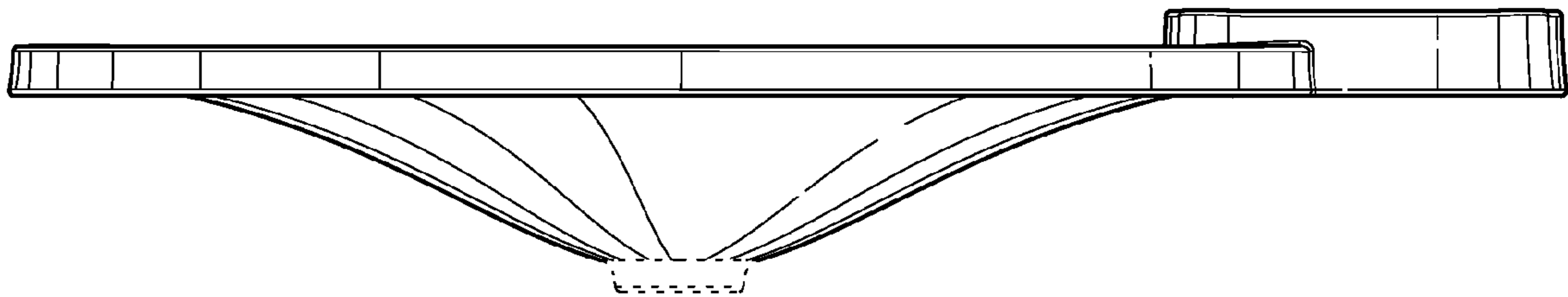


FIG. 3

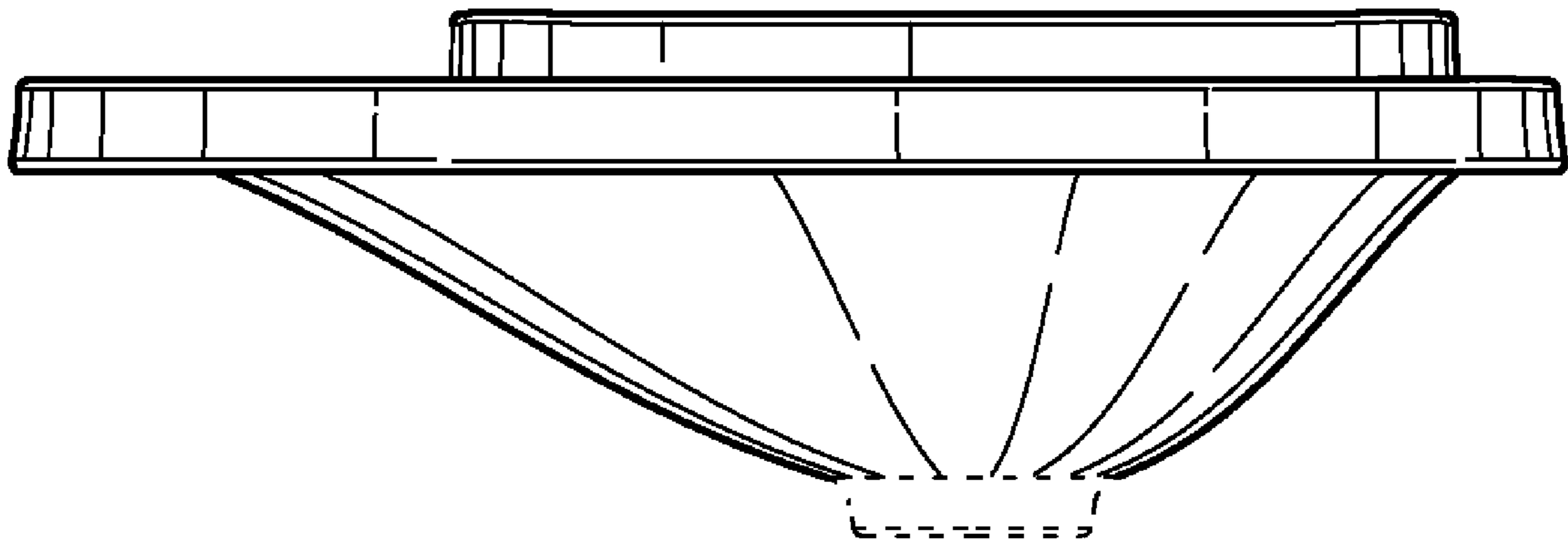


FIG. 4

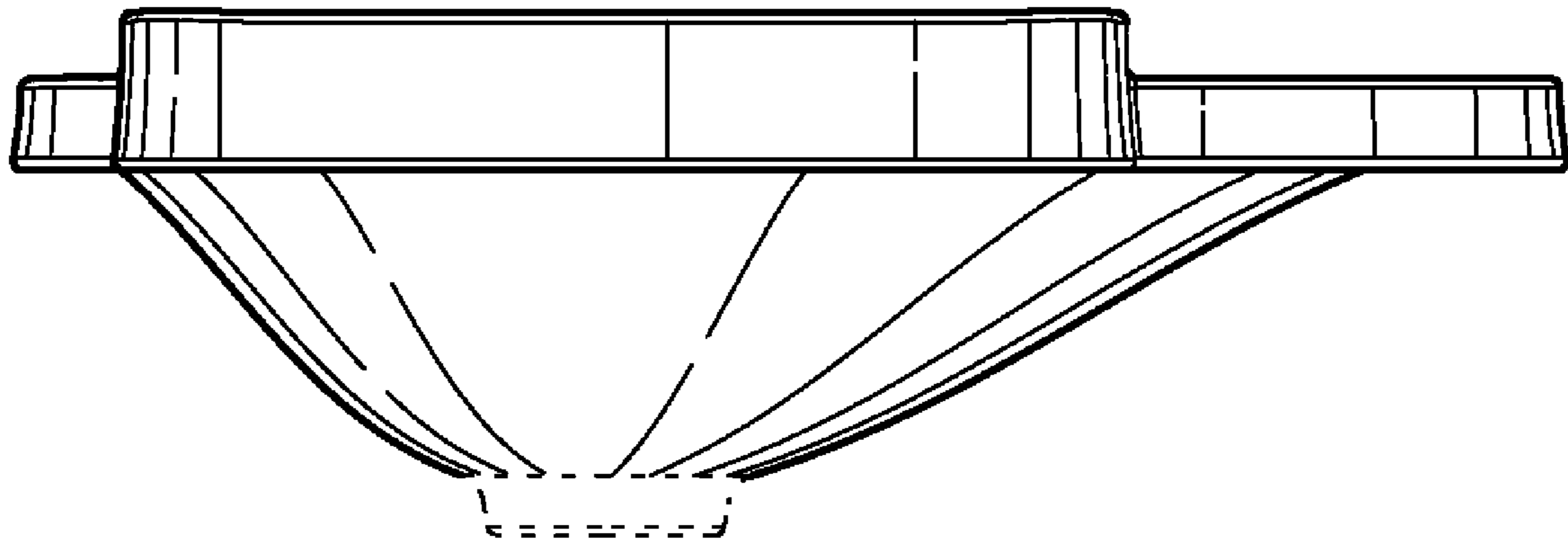


FIG. 5

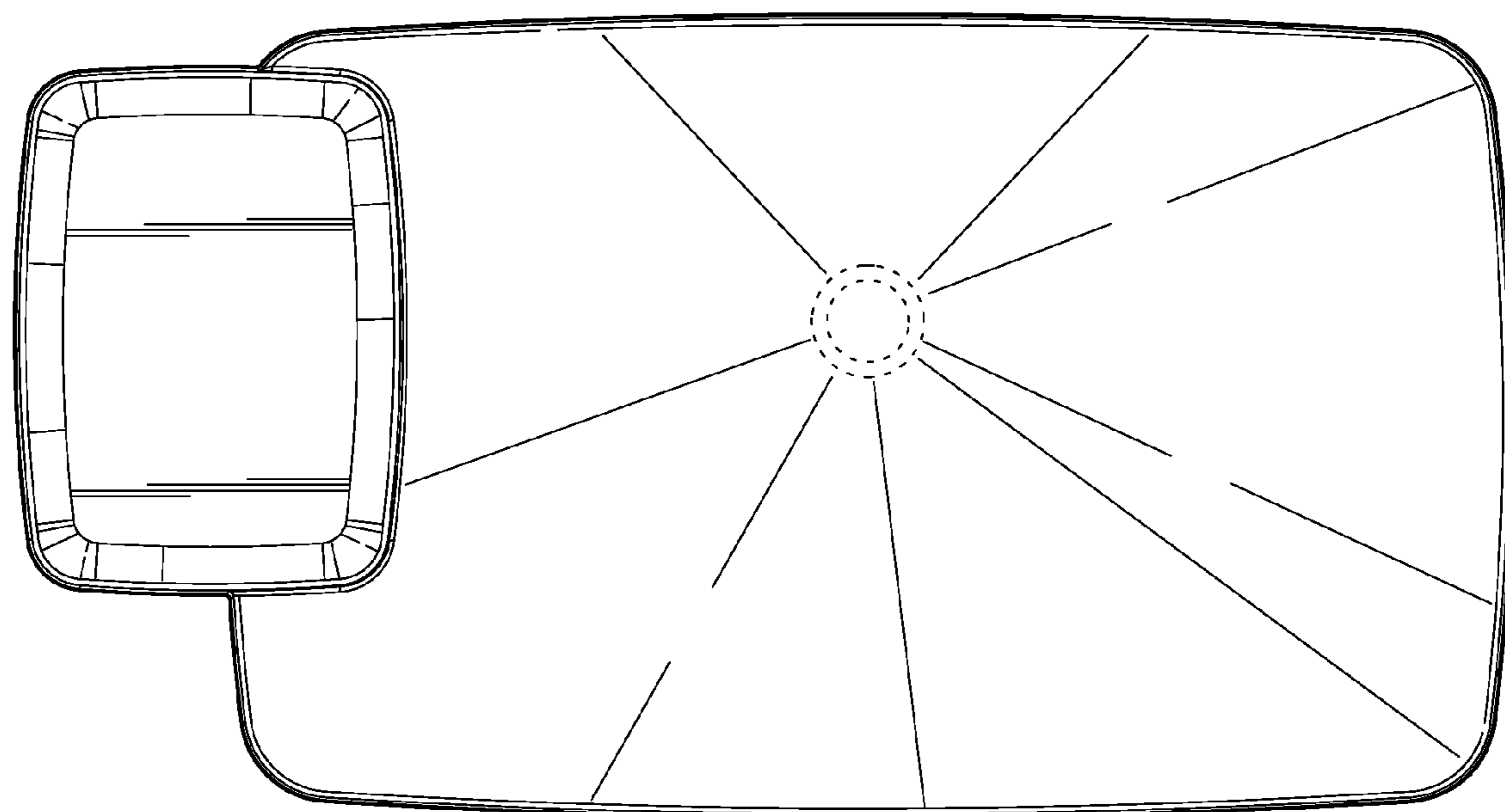


FIG. 6