



US00D619681S

(12) **United States Design Patent**  
**Reimann et al.**

(10) **Patent No.:** **US D619,681 S**  
(45) **Date of Patent:** **\*\* Jul. 13, 2010**

(54) **CLOSURE FOR A CONTAINER**

(75) Inventors: **Kirk M. Reimann**, Franksville, WI (US); **William E. Simpson**, New Berlin, WI (US); **Nancy D. Trafelet**, Racine, WI (US); **Andy Swain**, Nottingham (GB); **Christopher J. Webb**, Dronfield (GB); **Shirley A. Webb**, legal representative, Dronfield (GB); **David Holden**, Derbyshire (GB); **Garry W. Crossdale**, Derbyshire (GB); **Brian D. Haworth**, Voorburg (NL); **Bert Van der Heijden**, Bunnik (NL)

5,597,019 A	1/1997	Thomas et al.	
D380,668 S *	7/1997	Nakamura	..... D8/387
5,651,398 A	7/1997	Decker et al.	
5,784,087 A	7/1998	Wallace et al.	
5,832,972 A	11/1998	Thomas et al.	
D404,464 S	1/1999	Niemczyk	
5,915,427 A	6/1999	Grabenkort	
6,006,046 A	12/1999	MacFarland	
6,105,633 A	8/2000	Pedersen et al.	
D430,922 S	9/2000	Hung-Lin	
6,431,400 B1	8/2002	O'Maley et al.	

(73) Assignee: **Diversey, Inc.**, Sturtevant, WI (US)

(\*\*) Term: **14 Years**

(21) Appl. No.: **29/344,143**

(22) Filed: **Sep. 24, 2009**

(Continued)

*Primary Examiner*—Cathron C. Brooks  
*Assistant Examiner*—Maurice Stevens  
(74) *Attorney, Agent, or Firm*—Gregory S. Bollis

**Related U.S. Application Data**

(60) Division of application No. 29/250,107, filed on Nov. 2, 2006, now Pat. No. Des. 602,120, which is a continuation of application No. 29/258,032, filed on Apr. 14, 2006, now Pat. No. Des. 601,660.

(51) **LOC (9) Cl.** ..... **23-01**

(52) **U.S. Cl.** ..... **D23/233**

(58) **Field of Classification Search** ..... D23/233–237; 137/636.3, 636.2, 625.41, 625.17; D9/435, D9/447, 449; 220/203.22, 293.19, 725; 222/153.01, 153.04, 153.14, 562, 575

See application file for complete search history.

(56) **References Cited**

**U.S. PATENT DOCUMENTS**

3,301,427 A *	1/1967	Roman	..... 215/287
4,150,673 A	4/1979	Watt	
5,100,030 A	3/1992	Roggenburg, Jr. et al.	
5,238,141 A *	8/1993	Callegari et al.	..... 220/725
5,293,913 A	3/1994	Preszler	

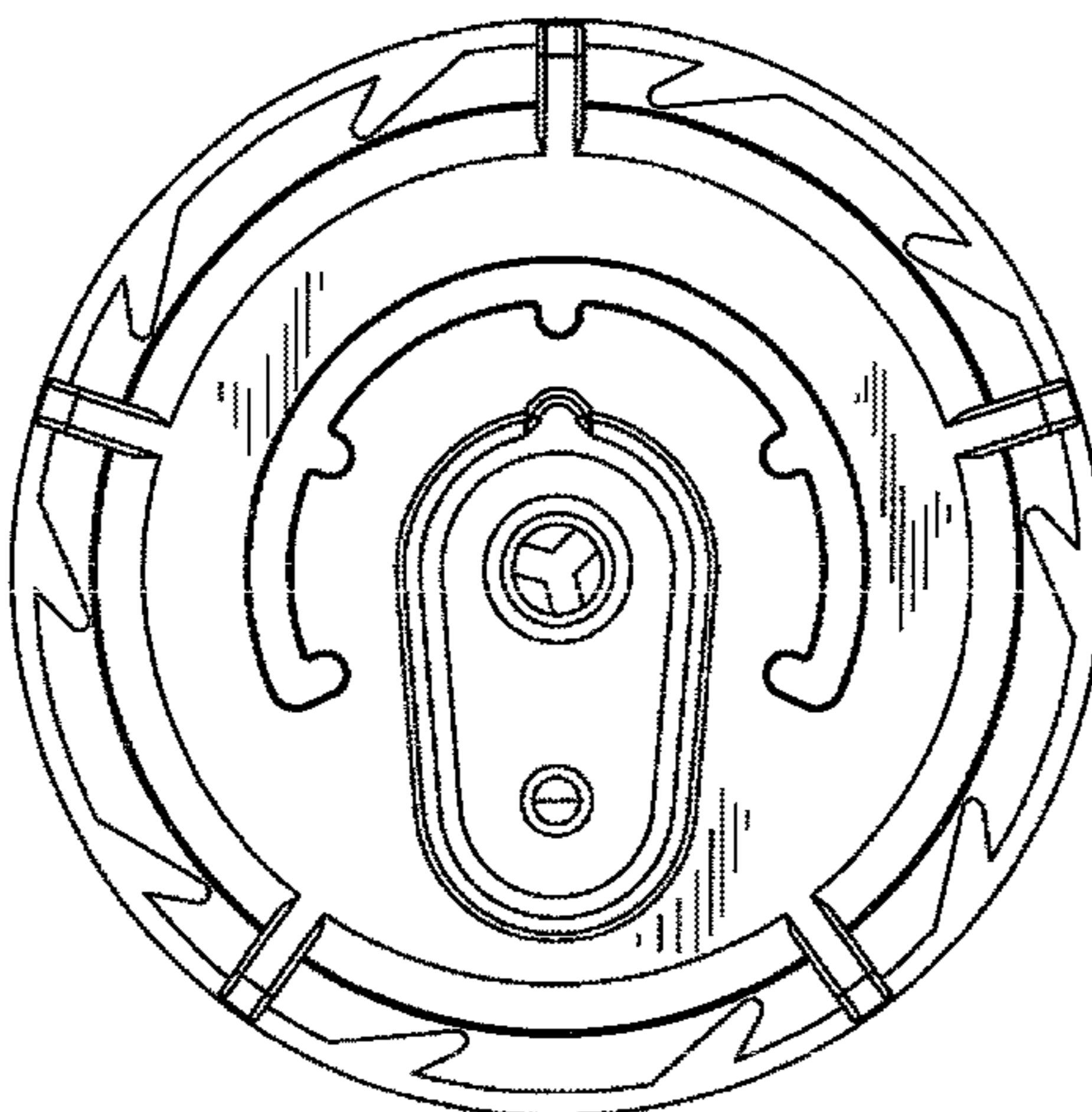
(57) **CLAIM**

We claim the ornamental design for a closure for a container, as shown and described.

**DESCRIPTION**

FIG. 1 is a perspective view of a closure for a container.  
FIG. 2 is a top view of the closure shown in FIG. 1.  
FIG. 3 is a perspective view of a second embodiment of a closure for a container.  
FIG. 4 is a top view of the closure shown in FIG. 3.  
FIG. 5 is a perspective view of a third embodiment of a closure for a container; and,  
FIG. 6 is a top view of the insert shown in FIG. 5.  
The present application is directed to the shape and contour of a lock-out type closure for a container.

**1 Claim, 6 Drawing Sheets**



# US D619,681 S

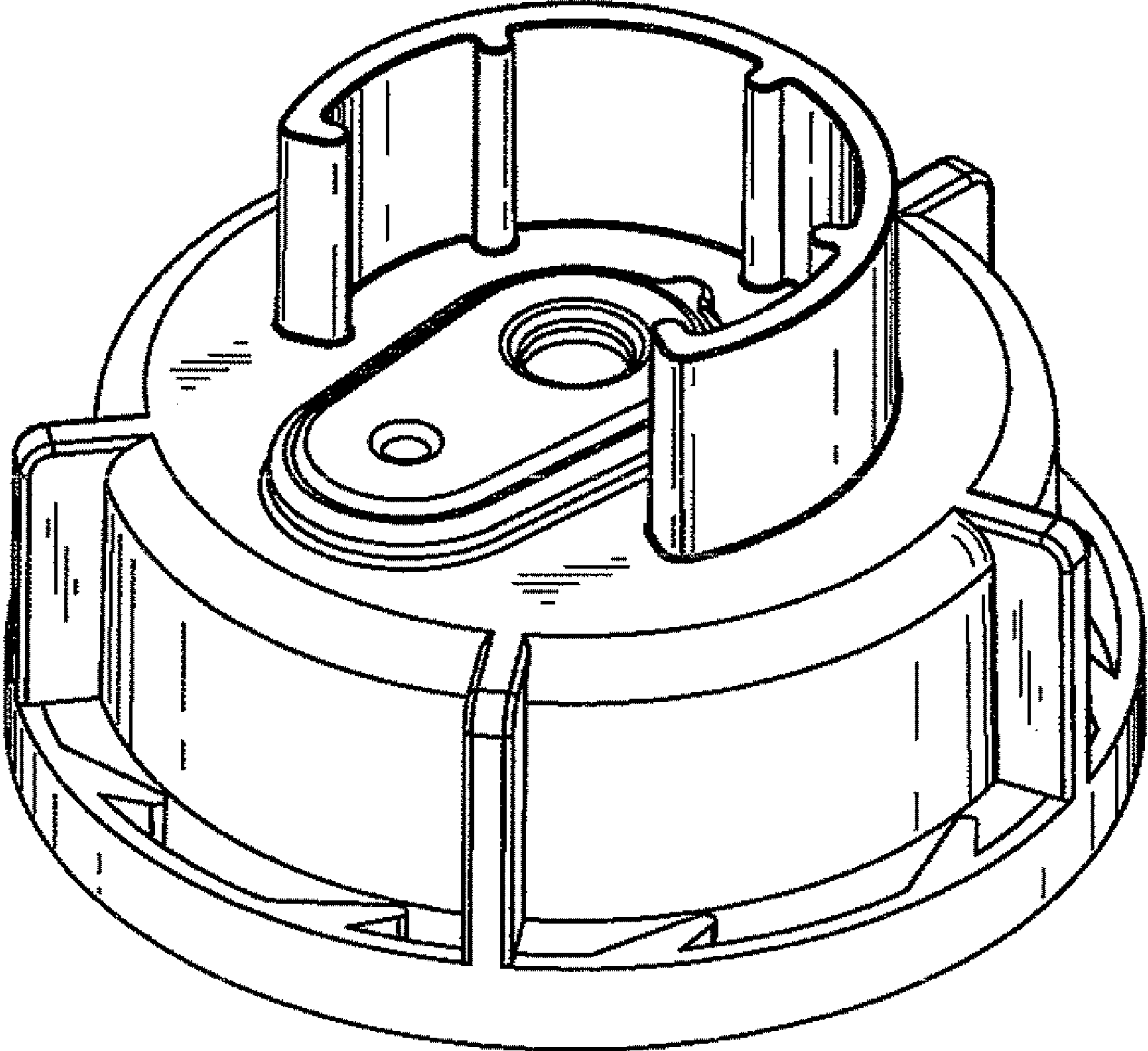
Page 2

---

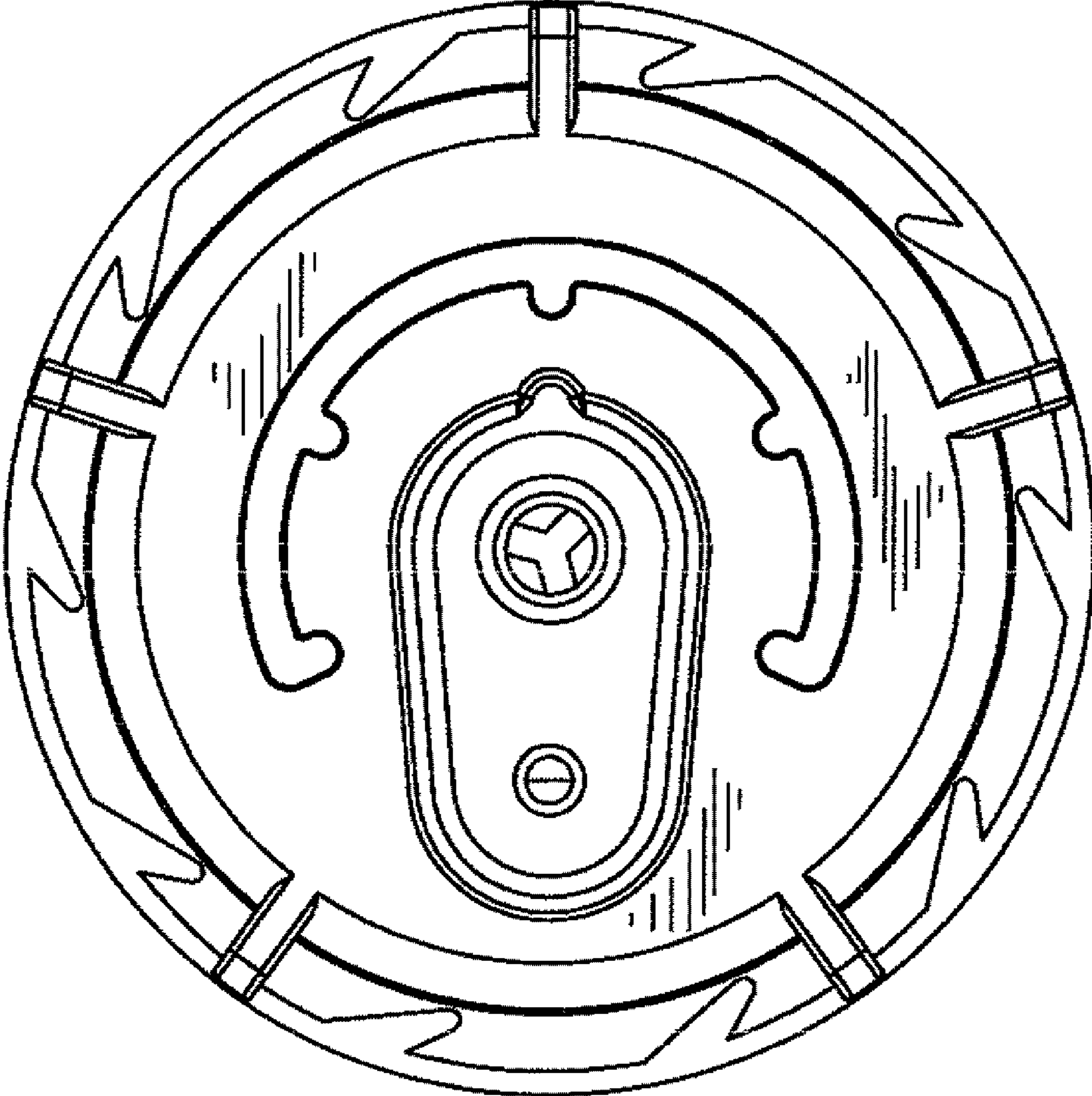
## U.S. PATENT DOCUMENTS

6,648,182	B2	11/2003	Rauworth et al.				
6,786,346	B1 *	9/2004	Gurnard et al. ....	215/272			
6,866,064	B2	3/2005	Nanni, Jr. et al.				
6,874,522	B2	4/2005	Anderson et al.				
7,090,343	B2	8/2006	Steinmetz et al.				
7,188,937	B2	3/2007	Wilson et al.				
7,451,896	B2 *	11/2008	Robinson .....	222/153.14			
D584,106	S *	1/2009	Wong .....	D7/396.2			
D585,743	S *	2/2009	Wilson et al. ....	D9/449			
					D589,796	S *	4/2009 McGeough .....
							D9/449
					D601,660	S *	10/2009 Reimann et al. ....
							D23/233
					D602,120	S *	10/2009 Reimann et al. ....
							D23/233
					2004/0045984	A1	3/2004 Schuman et al.
					2004/0046329	A1	3/2004 Pieters
					2005/0103387	A1	5/2005 Voege et al.
					2005/0127090	A1	6/2005 Sayers et al.
					2005/0147864	A1	7/2005 Eggum
					2006/0124662	A1	6/2006 Reynolds et al.

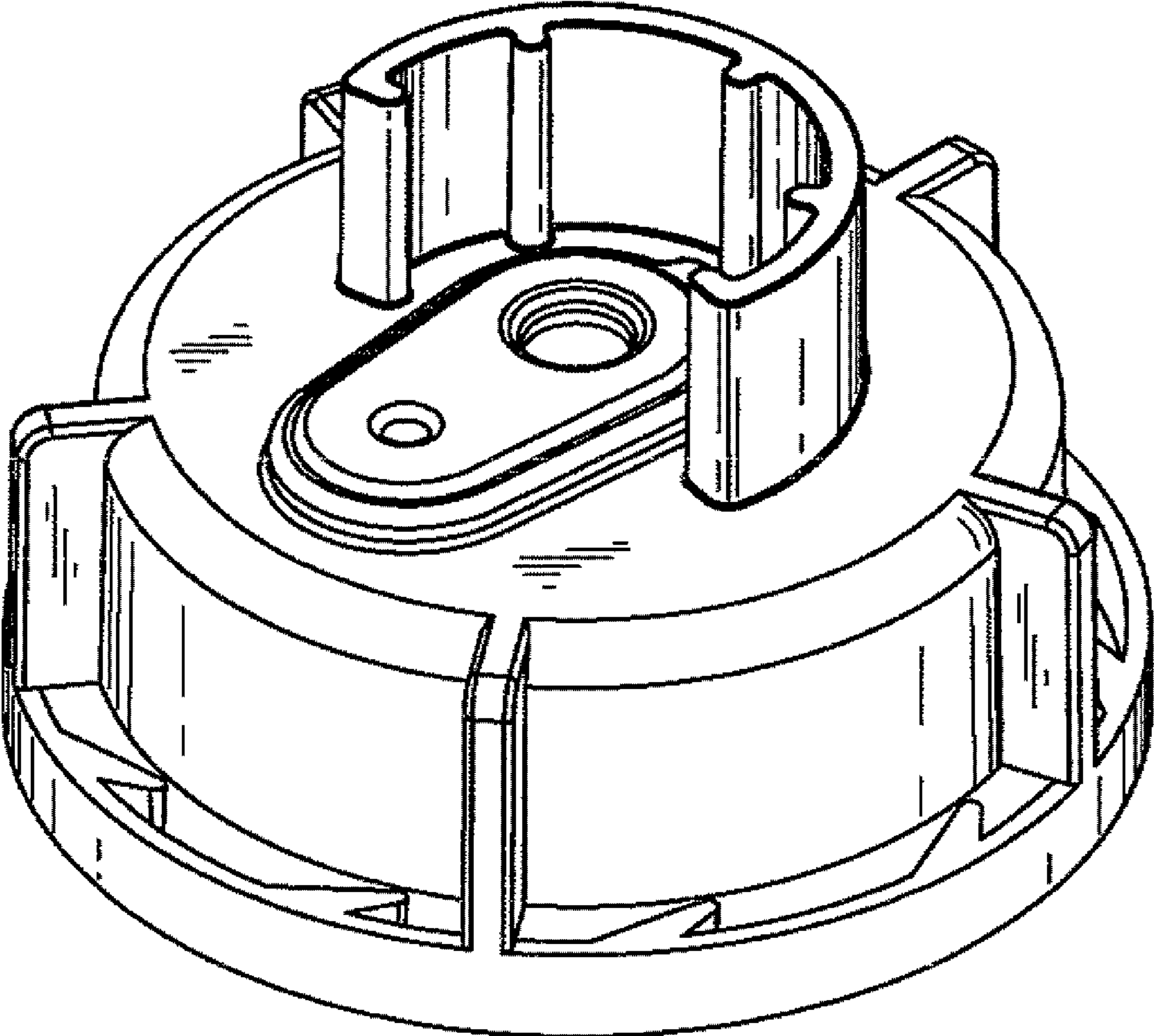
\* cited by examiner



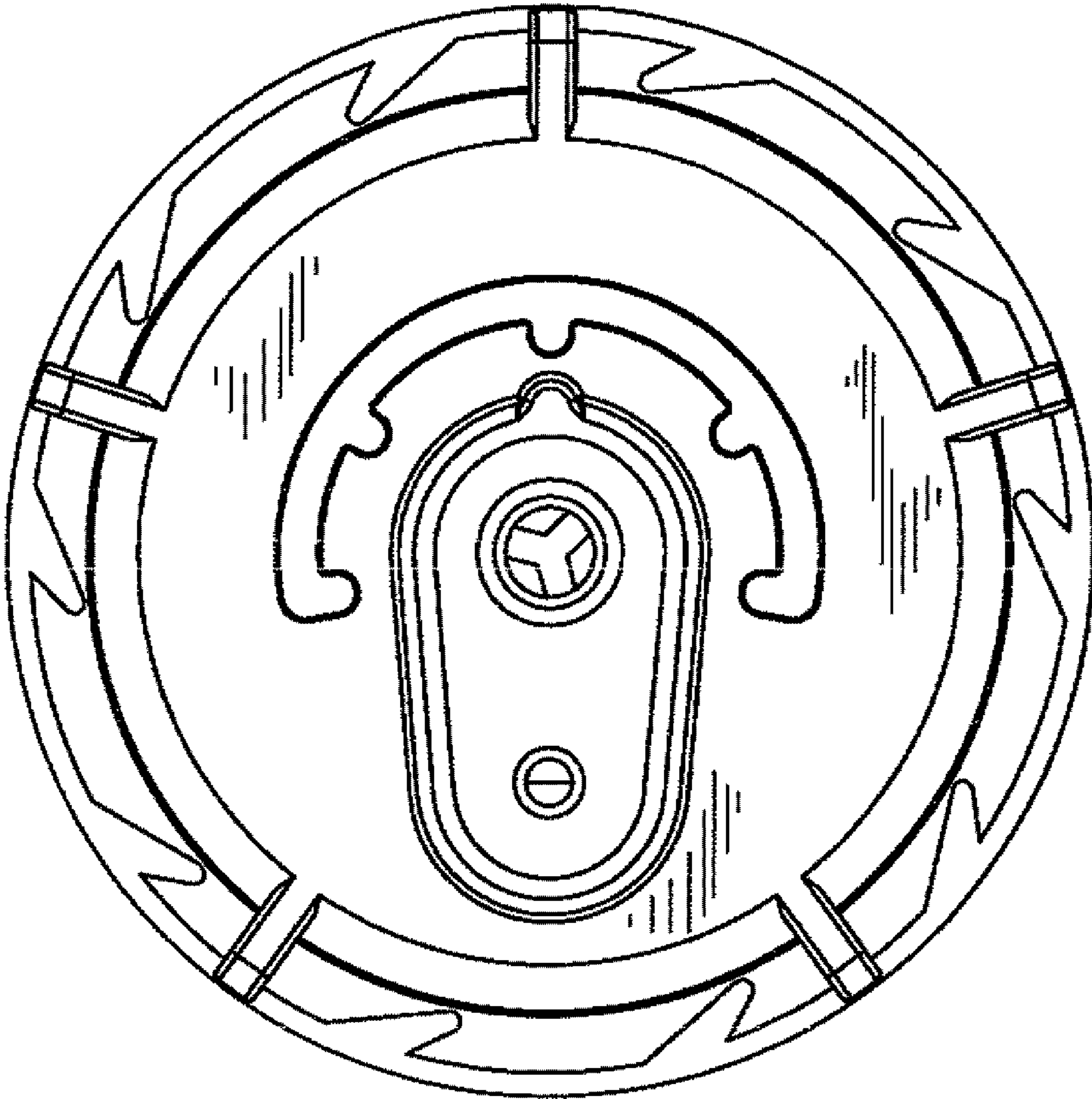
**FIG. 1**



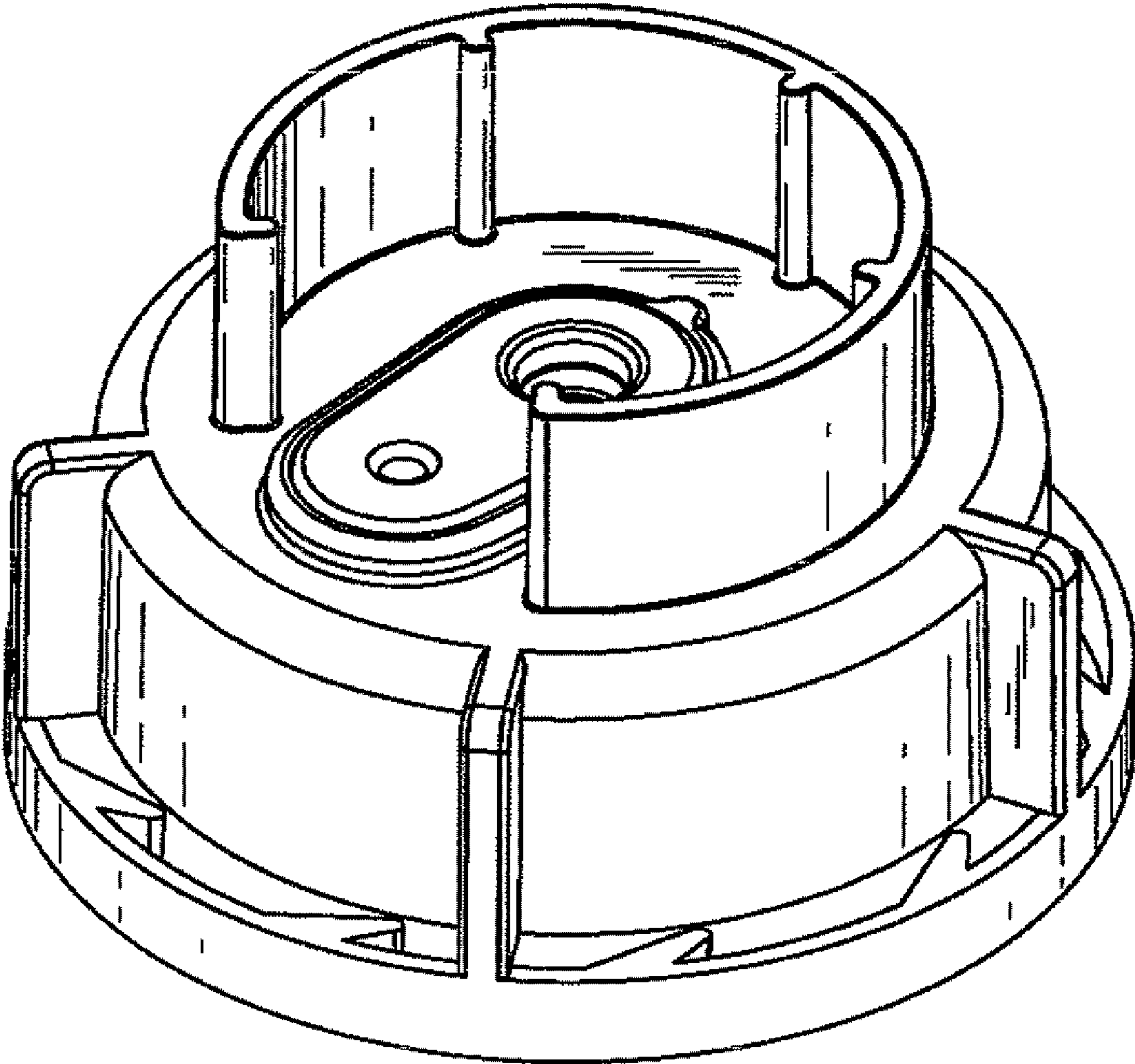
**FIG. 2**



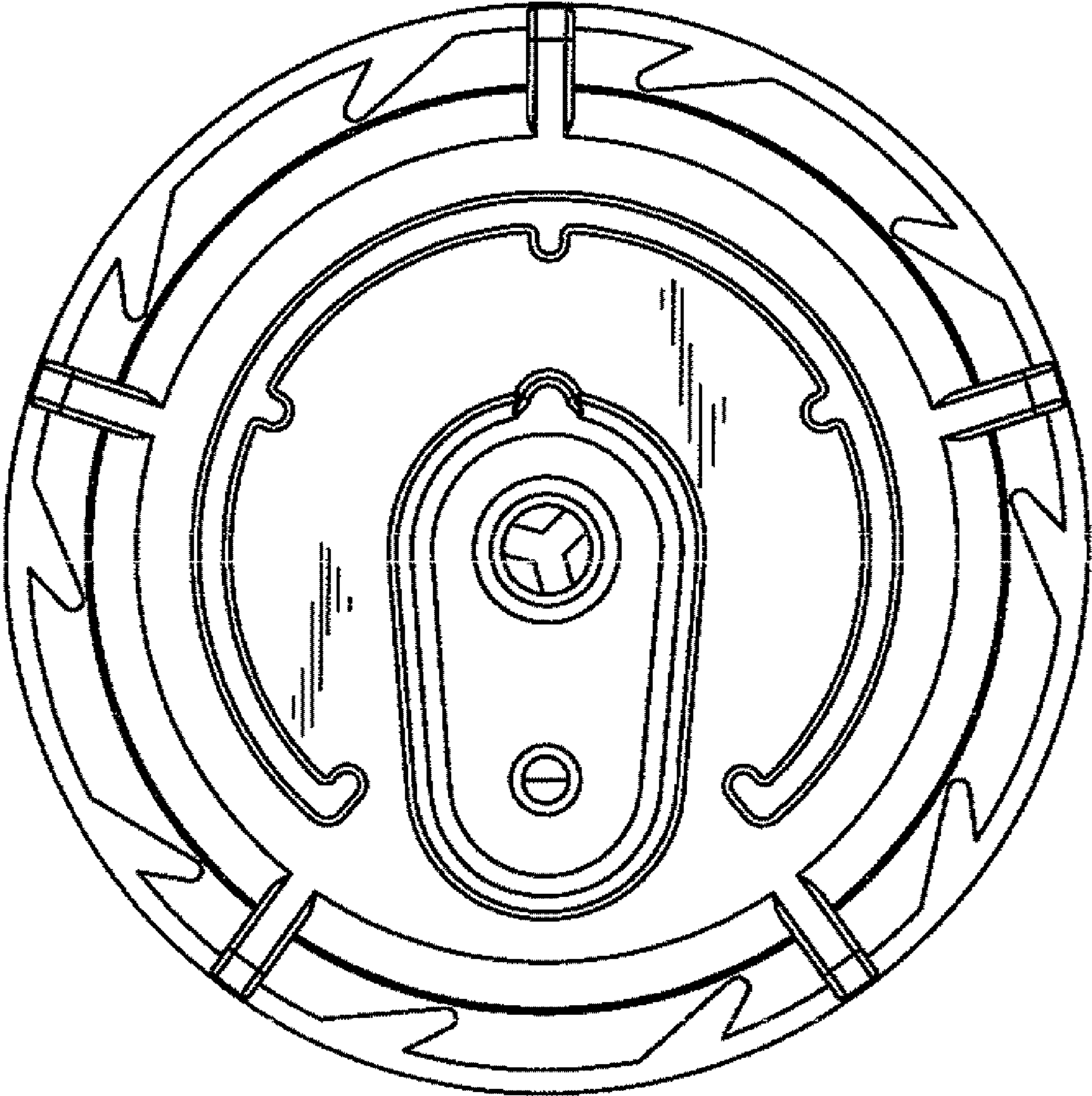
**FIG. 3**



**FIG. 4**



**FIG. 5**



**FIG. 6**