



US00D619680S

(12) **United States Design Patent**
Lee

(10) **Patent No.:** **US D619,680 S**
(45) **Date of Patent:** **** Jul. 13, 2010**

(54) **SHOWERHEAD**

(75) Inventor: **Man Hon Lee**, Kowloon (HK)

(73) Assignee: **Brand New Technology Ltd.**, Kowloon (HK)

(**) Term: **14 Years**

(21) Appl. No.: **29/345,161**

(22) Filed: **Oct. 12, 2009**

(51) **LOC (9) Cl.** **23-01**

(52) **U.S. Cl.** **D23/229**

(58) **Field of Classification Search** D23/213,
D23/223, 226, 229-230; 239/282-283; 4/605,
4/615, 570, 567

See application file for complete search history.

(56) **References Cited**

U.S. PATENT DOCUMENTS

D465,551 S * 11/2002 Tse D23/229

D466,188 S * 11/2002 Tse D23/229

D524,412 S * 7/2006 Blomstrom D23/229
D529,987 S * 10/2006 Tse D23/213
D555,769 S * 11/2007 Lee D23/229
D560,272 S * 1/2008 Tse D23/229

* cited by examiner

Primary Examiner—Robin V Webster

(57) **CLAIM**

The ornamental design for a showerhead, as shown.

DESCRIPTION

FIG. 1 is a front elevational view of a showerhead showing my new design;

FIG. 2 is a rear elevational view thereof;

FIG. 3 is a left side view thereof;

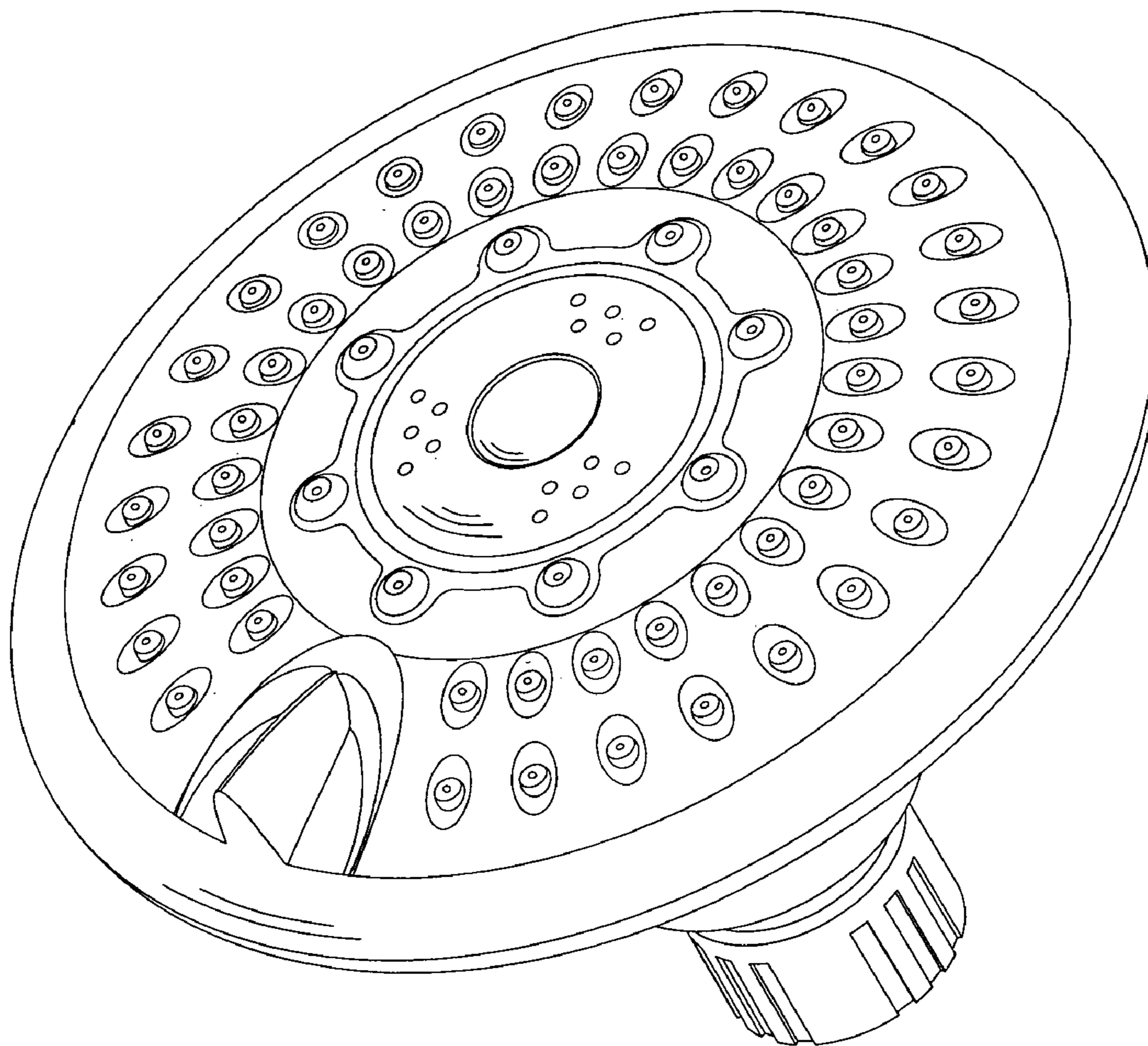
FIG. 4 is a right side view thereof;

FIG. 5 is a top plan view thereof;

FIG. 6 is a bottom plan view thereof; and,

FIG. 7 is a perspective view thereof.

1 Claim, 7 Drawing Sheets



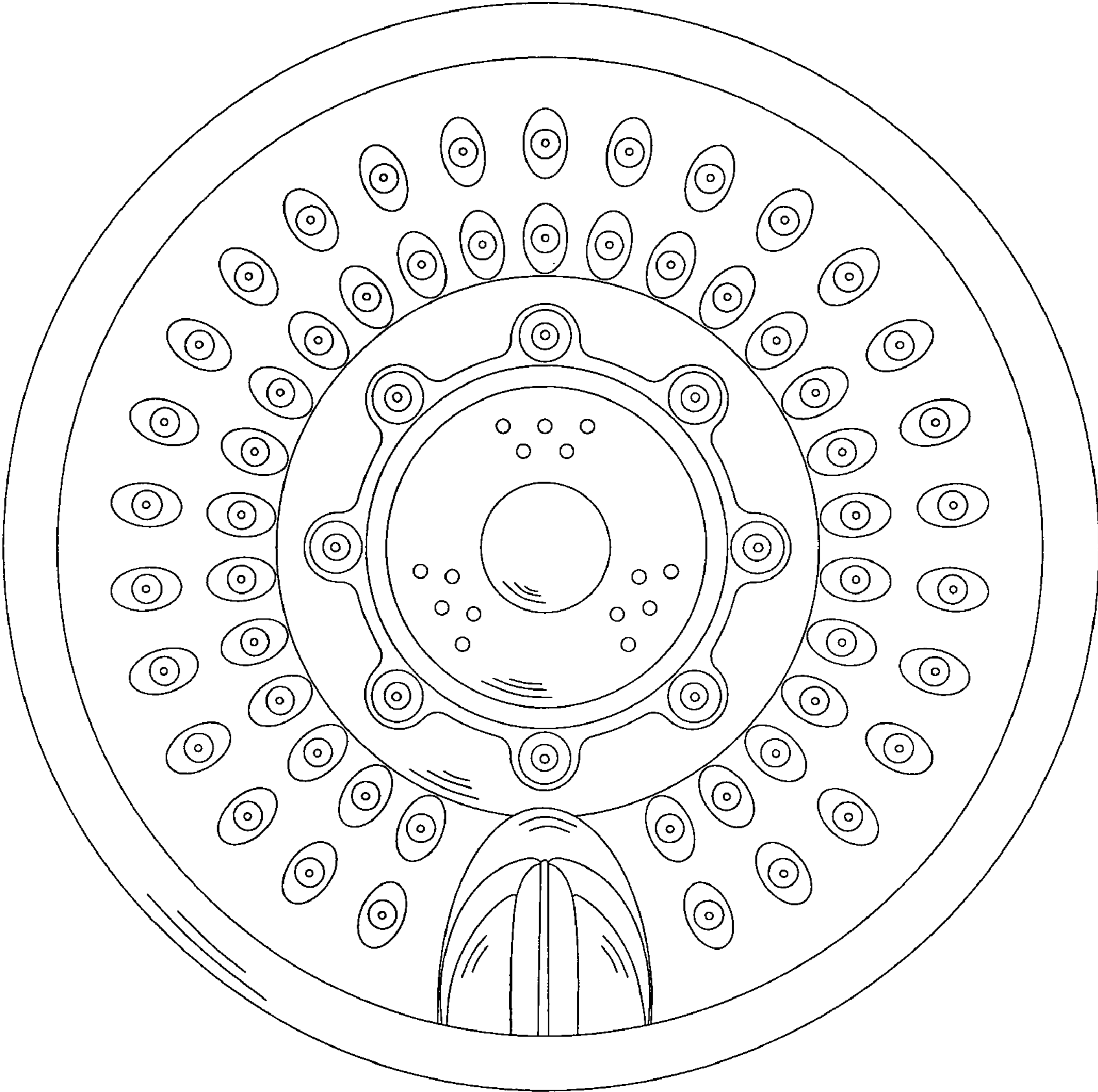


FIG. 1

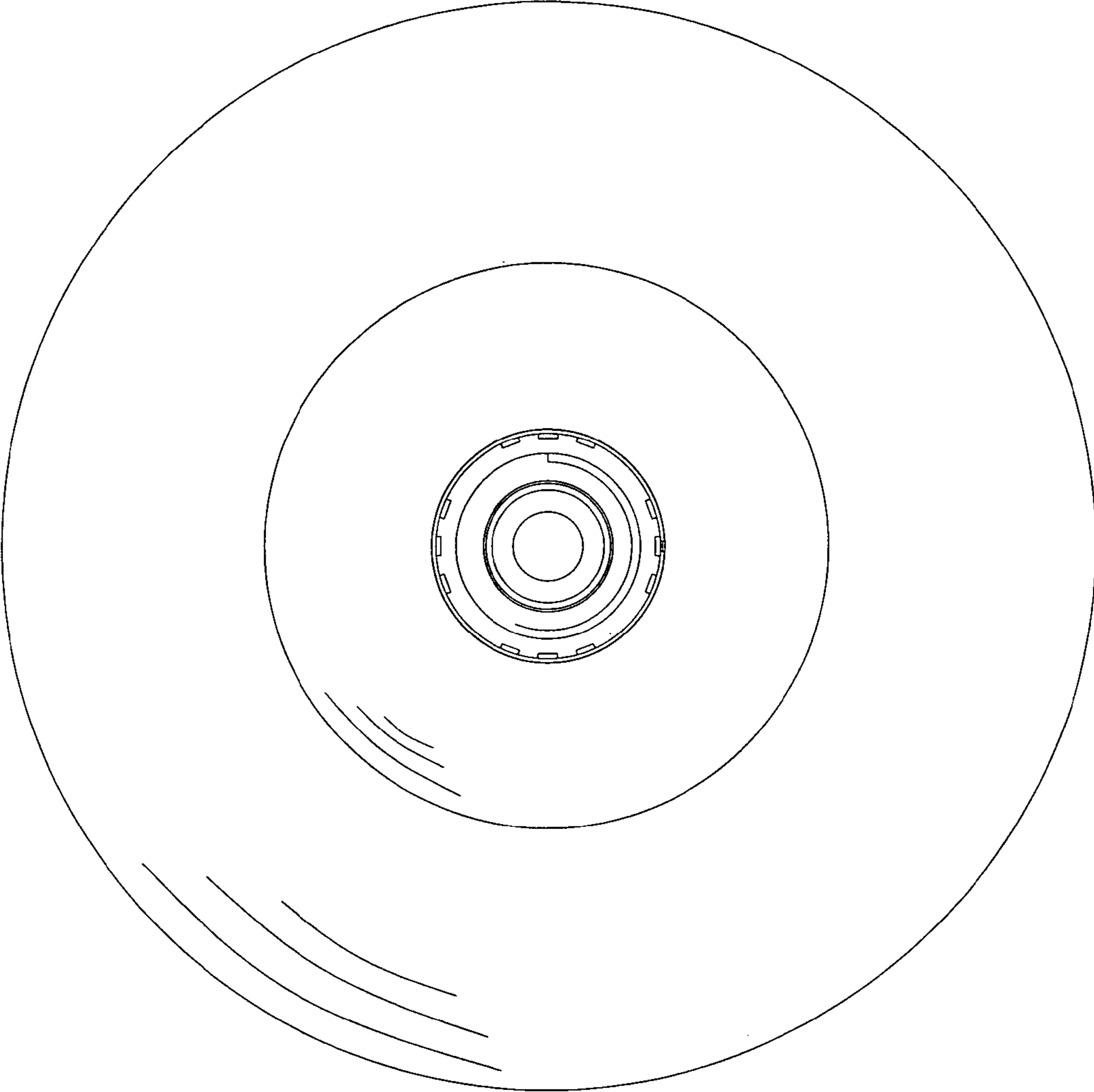


FIG. 2

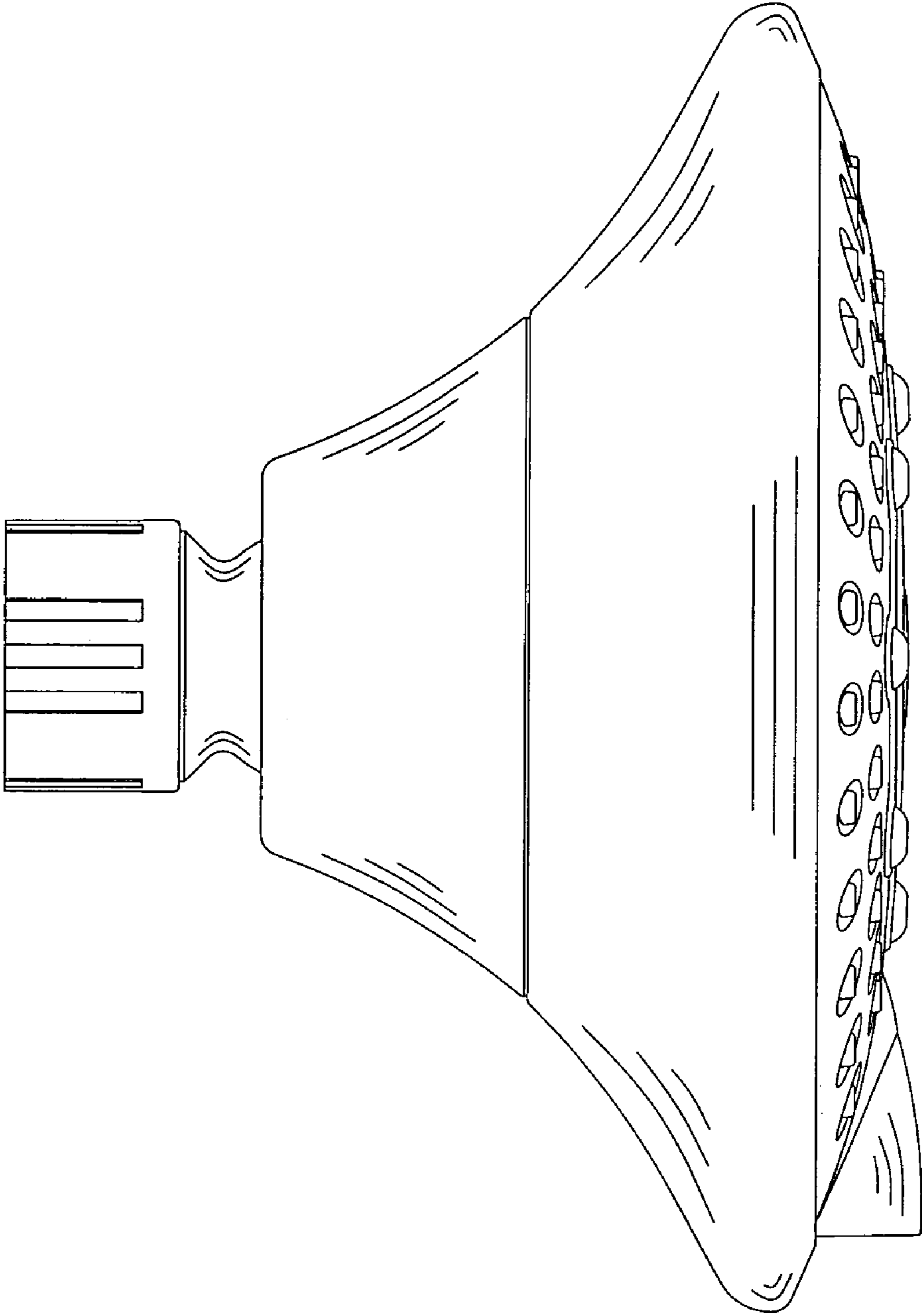


FIG. 3

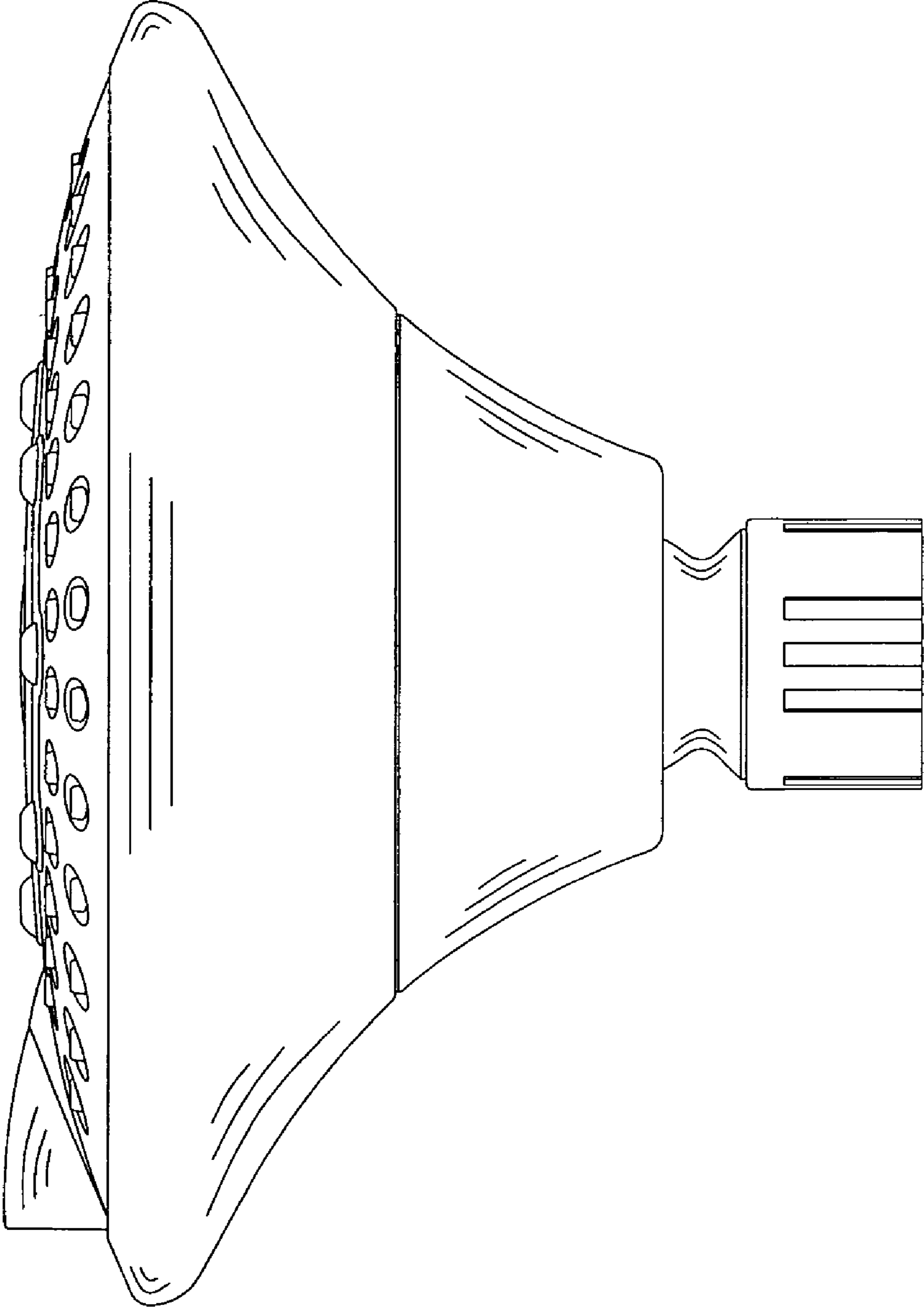


FIG. 4

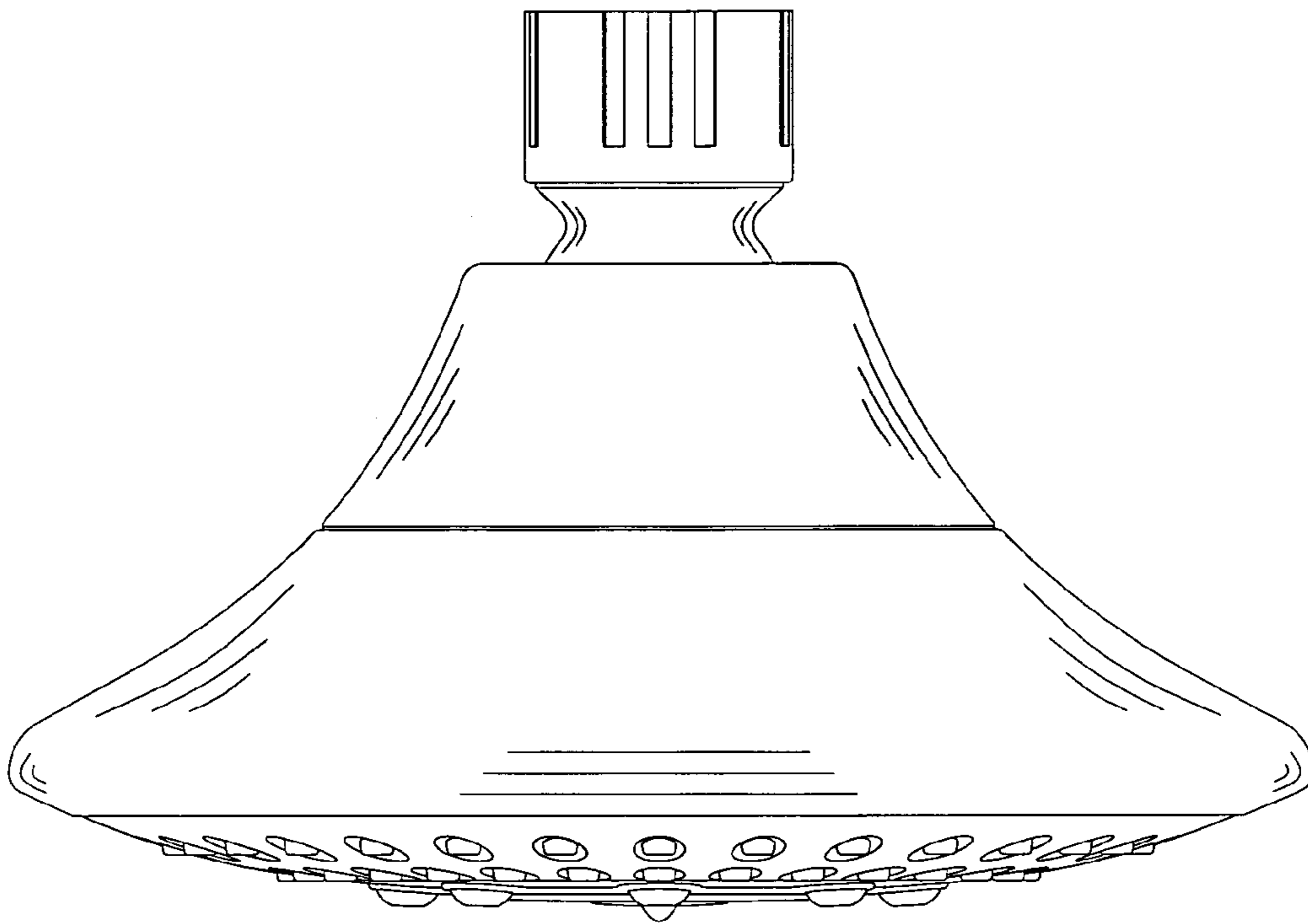


FIG. 5

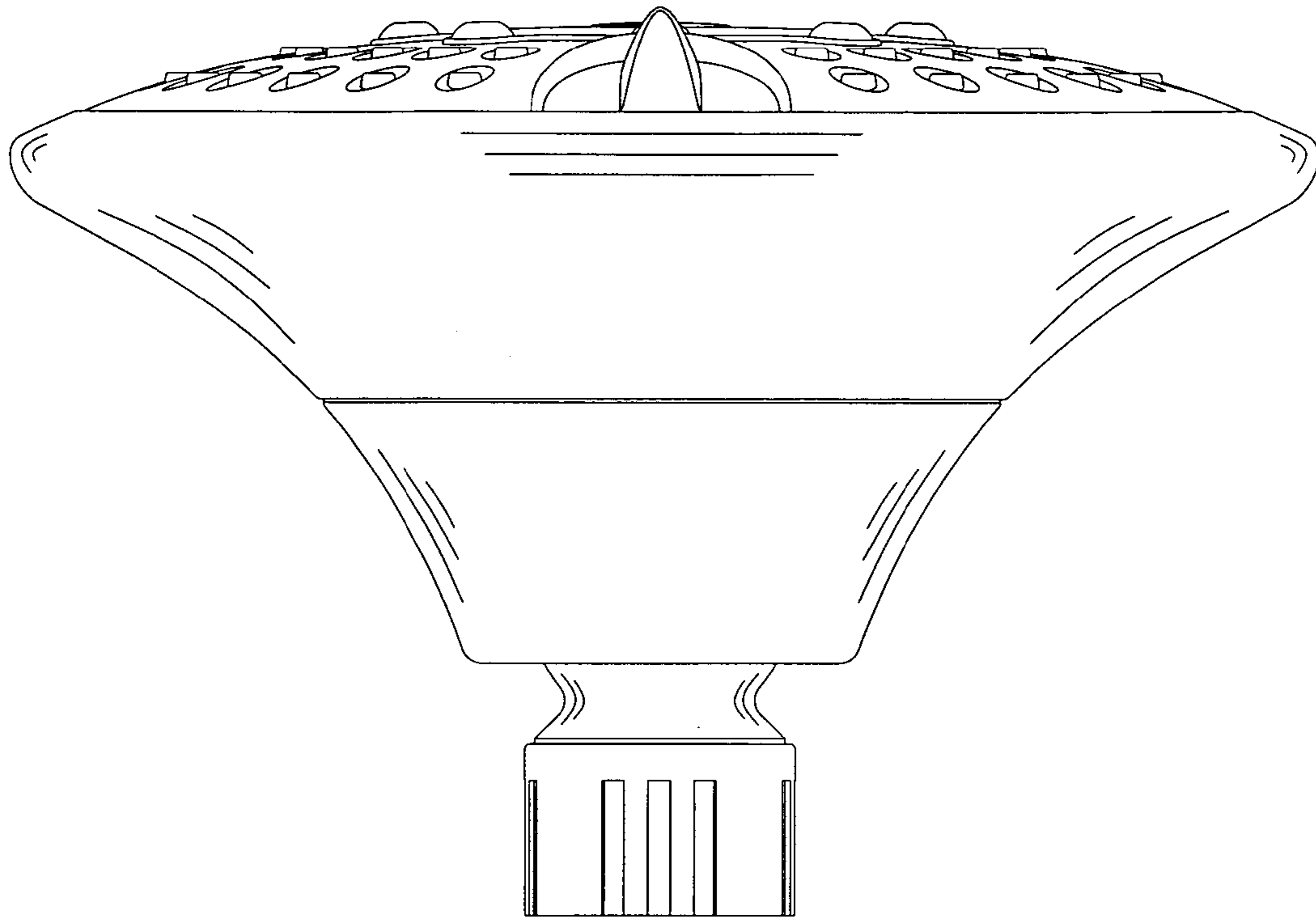


FIG. 6

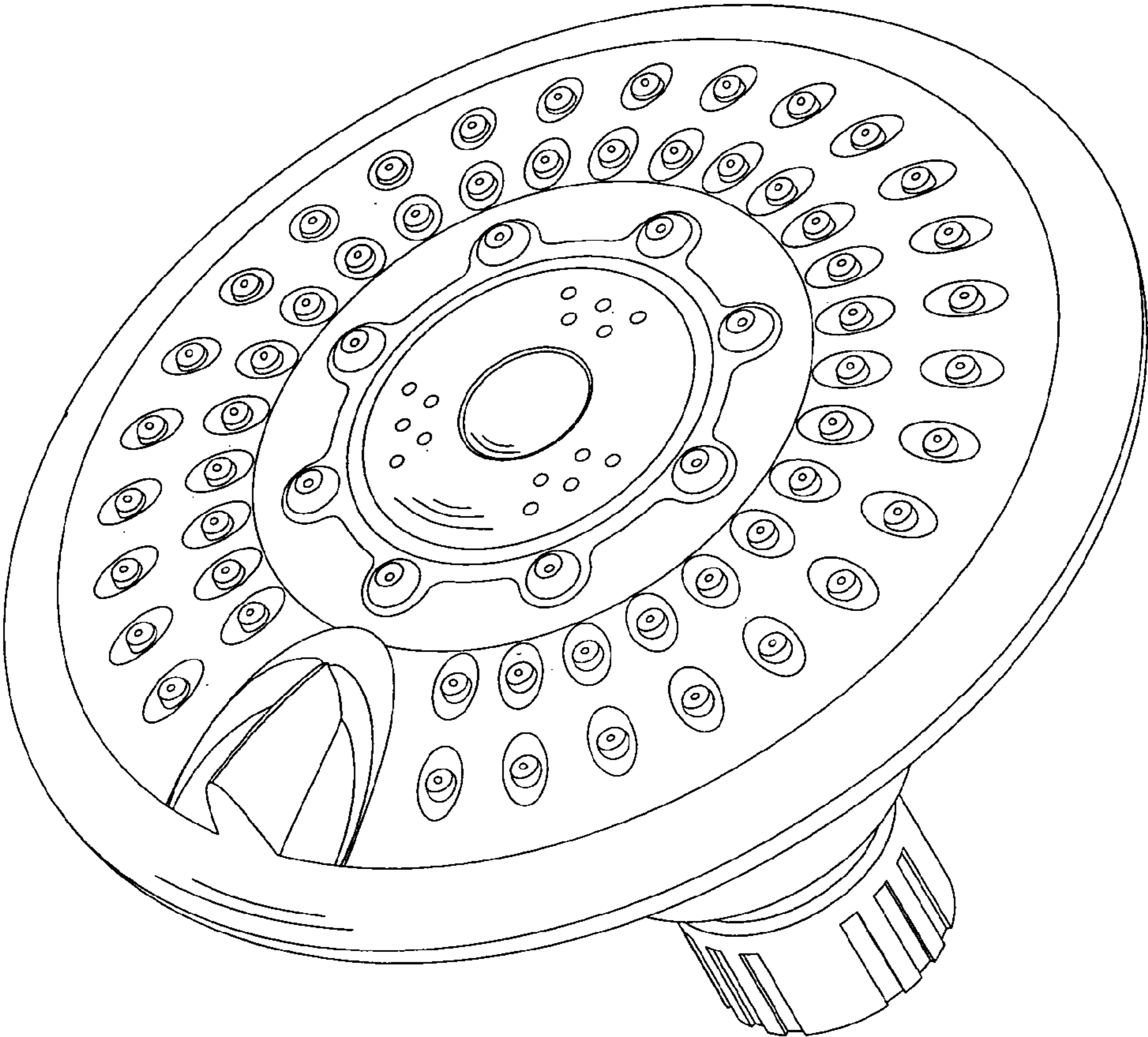


FIG. 7