



US00D619678S

(12) **United States Design Patent**  
**Jian et al.**

(10) **Patent No.:** **US D619,678 S**  
(45) **Date of Patent:** **\*\* Jul. 13, 2010**

(54) **SHOWER SPRAY UNIT**

D565,702 S \* 4/2008 Daunter et al. .... D23/223  
D579,517 S \* 10/2008 Corbett ..... D23/223  
D581,485 S \* 11/2008 Kollmann et al. .... D23/223

(75) Inventors: **Zhang Jian**, Piscataway, NJ (US); **Jiang Xuefeng**, Piscataway, NJ (US)

\* cited by examiner

(73) Assignee: **AS IP Holdco, L.L.C.**, Piscataway, NJ (US)

*Primary Examiner*—Robin V Webster  
(74) *Attorney, Agent, or Firm*—Flaster/Greenberg P.C.

(\*\*) Term: **14 Years**

(57) **CLAIM**

(21) Appl. No.: **29/344,870**

The ornamental design for a shower spray unit, as shown and described.

(22) Filed: **Oct. 6, 2009**

(51) **LOC (9) Cl.** ..... **23-01**

(52) **U.S. Cl.** ..... **D23/223**

(58) **Field of Classification Search** ..... D23/213,  
D23/223, 226; 239/282–283; 4/605, 615,  
4/570, 567

See application file for complete search history.

**DESCRIPTION**

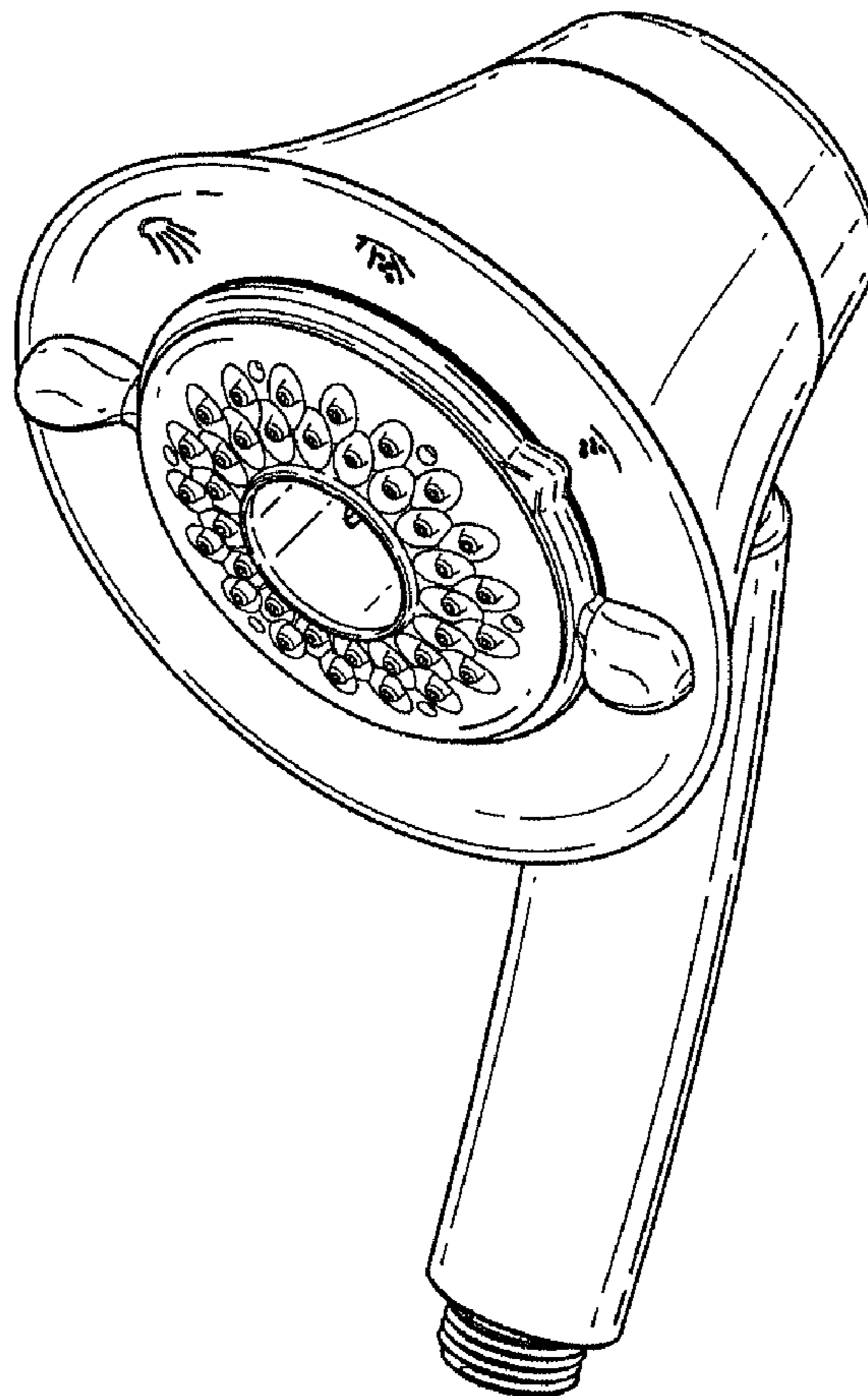
FIG. 1 is a perspective view of a shower spray unit;  
FIG. 2 is a bottom plan view of the shower spray unit of FIG. 1;  
FIG. 3 is a right side view of the shower spray unit of FIG. 1;  
FIG. 4 is a left side view of the shower spray unit of FIG. 1;  
FIG. 5 is a front view of the shower spray unit of FIG. 1;  
FIG. 6 is a rear view of the shower spray unit of FIG. 1; and,  
FIG. 7 is a top plan view of the shower spray unit of FIG. 1.  
The broken line showing in FIG. 6 is included for the purpose of illustrating and forms no part of the claimed design.

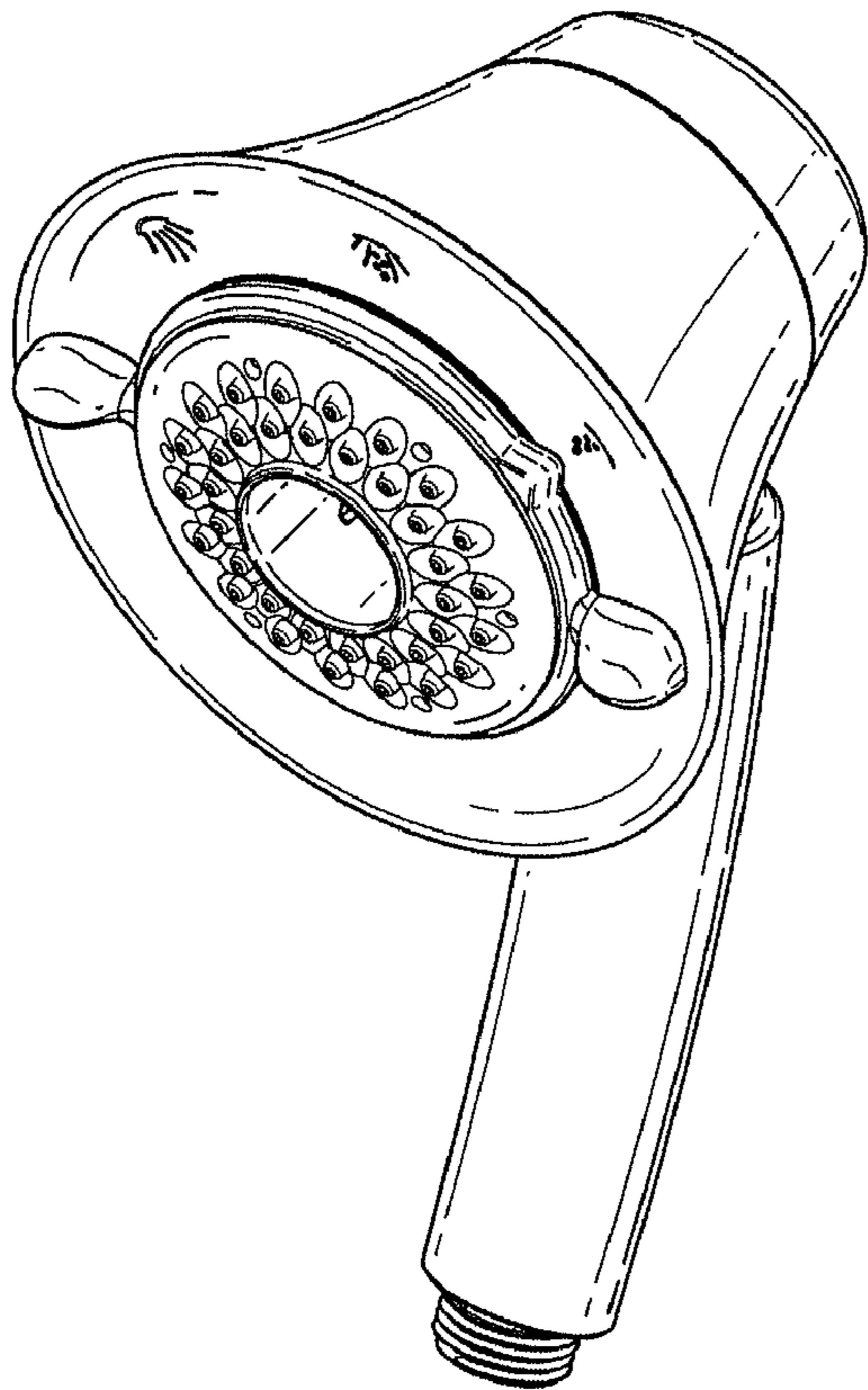
(56) **References Cited**

U.S. PATENT DOCUMENTS

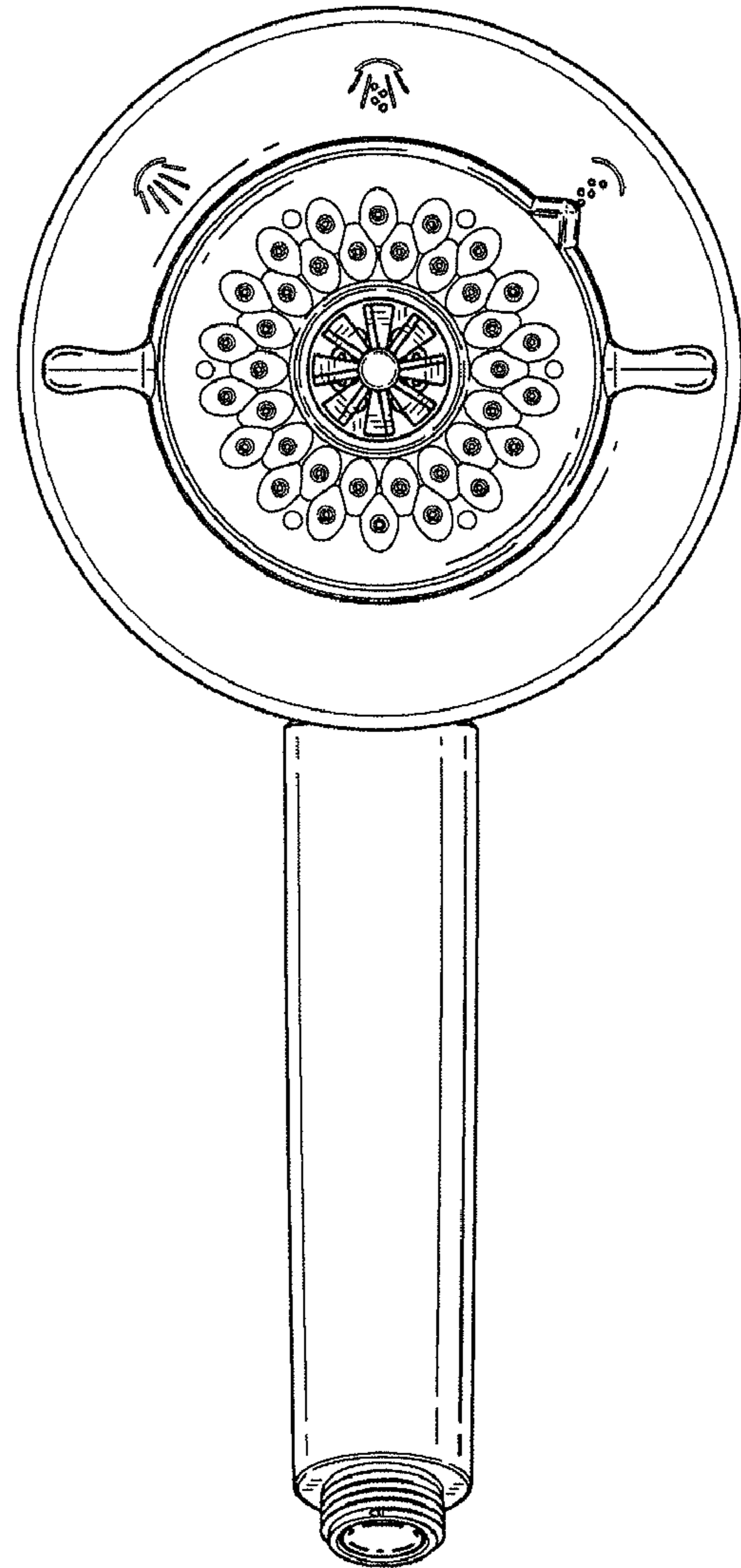
D484,945 S \* 1/2004 Ouyoung ..... D23/213  
D545,941 S \* 7/2007 Li ..... D23/223  
D559,357 S \* 1/2008 Wang et al. .... D23/229  
D559,948 S \* 1/2008 Bickler et al. .... D23/223  
D565,699 S \* 4/2008 Berberet ..... D23/223

**1 Claim, 3 Drawing Sheets**

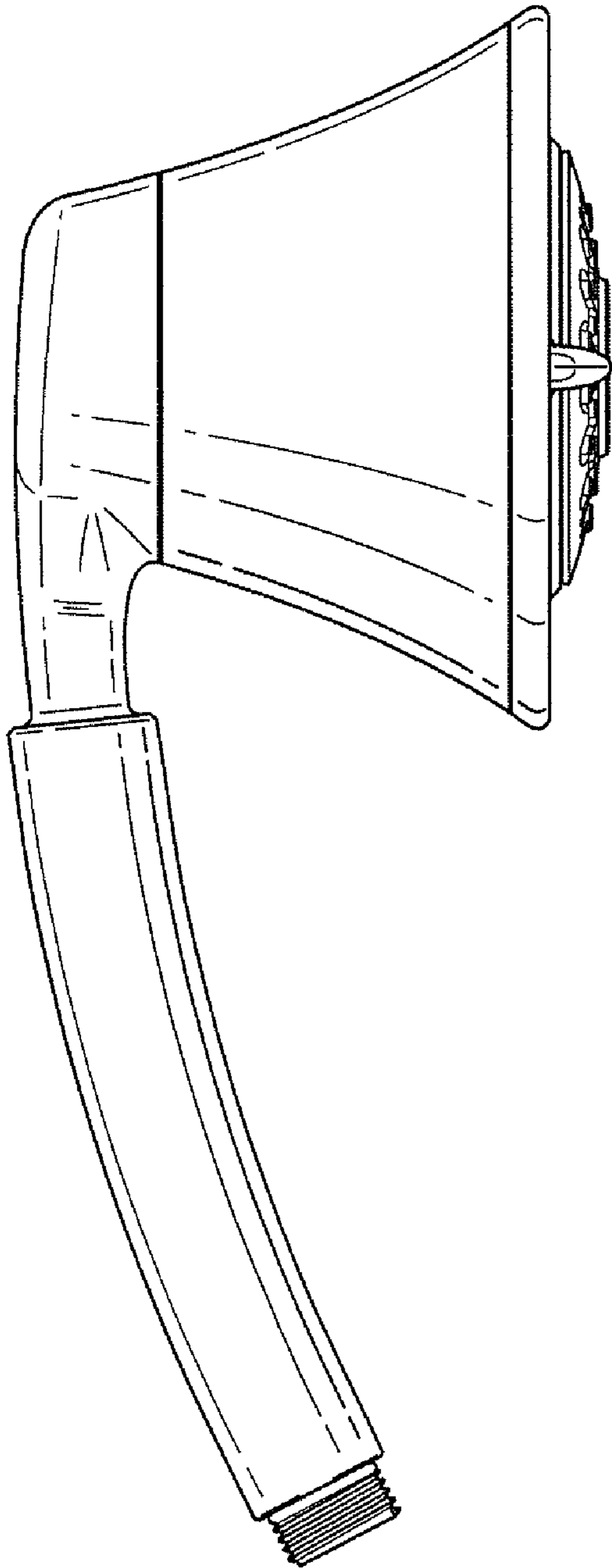




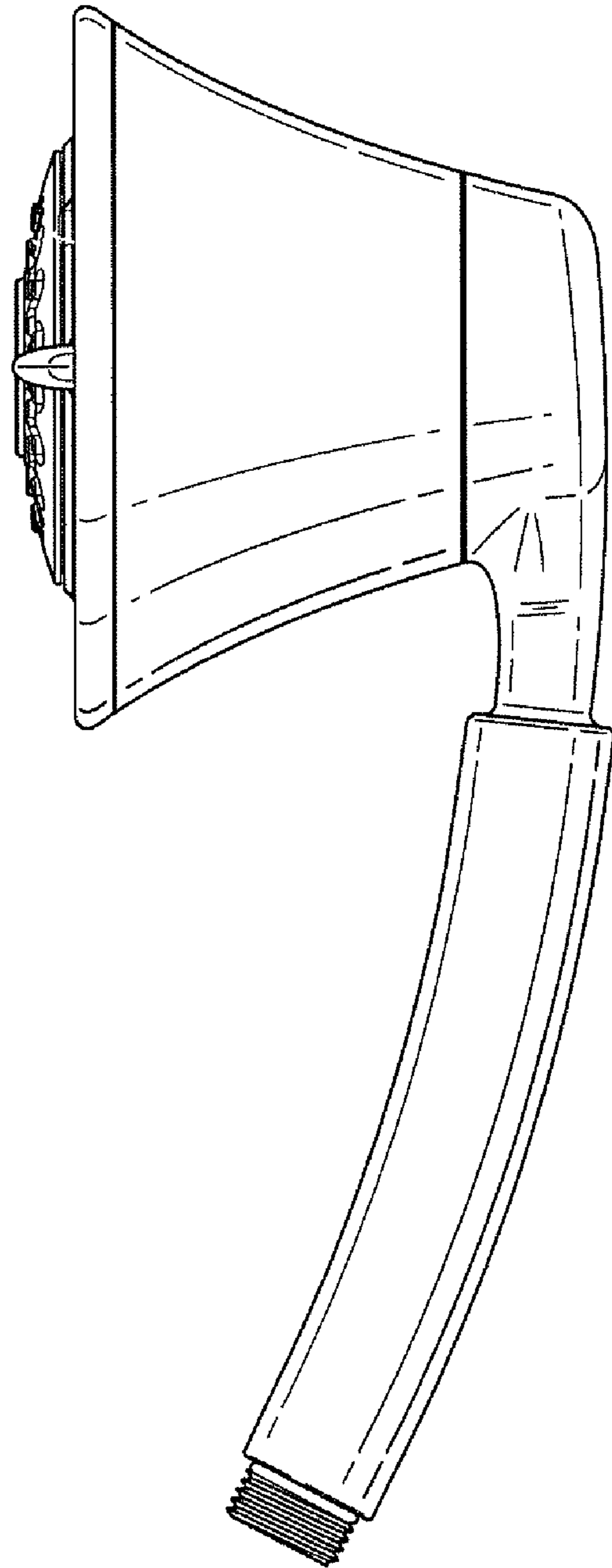
*FIG. 1*



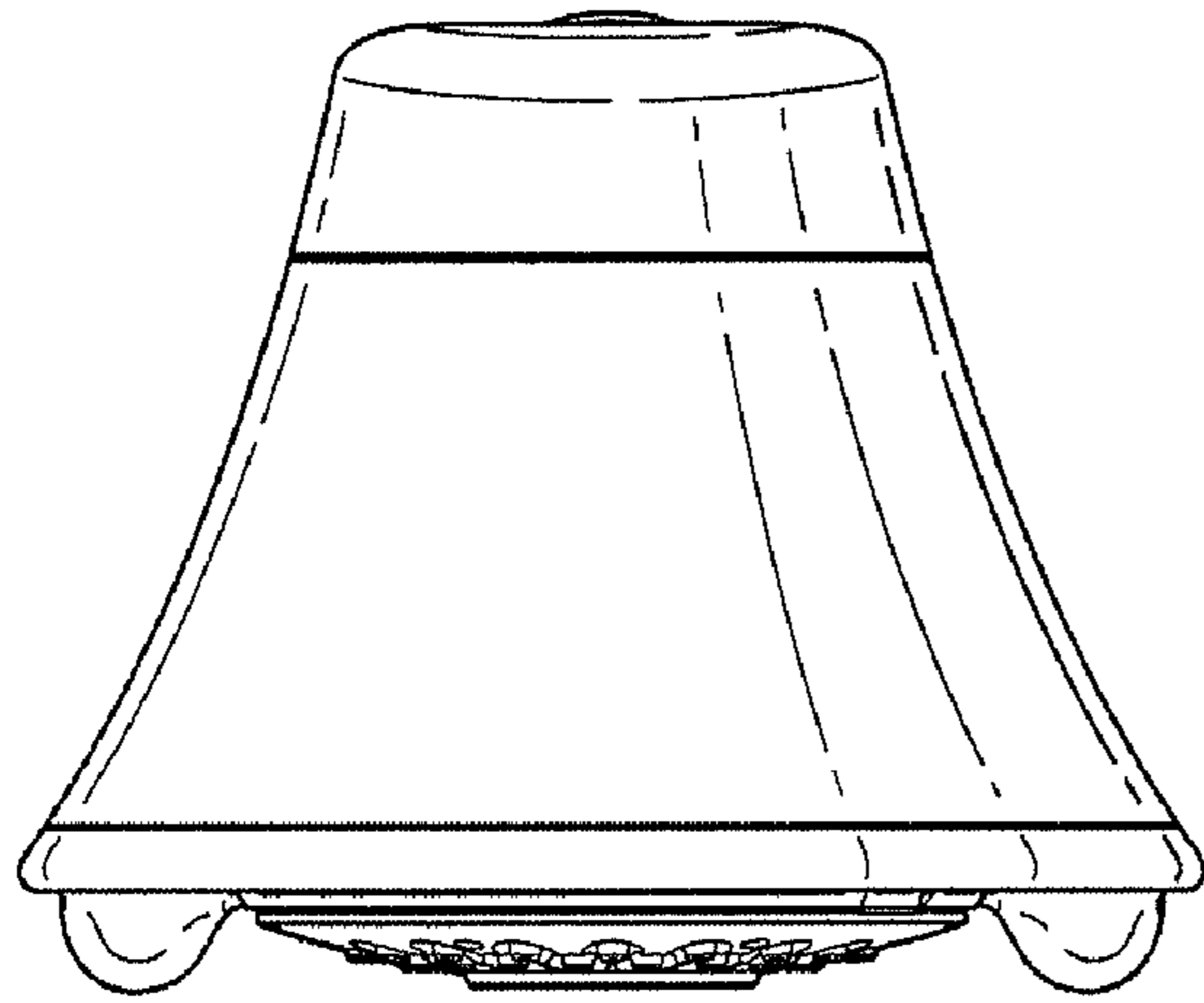
*FIG. 2*



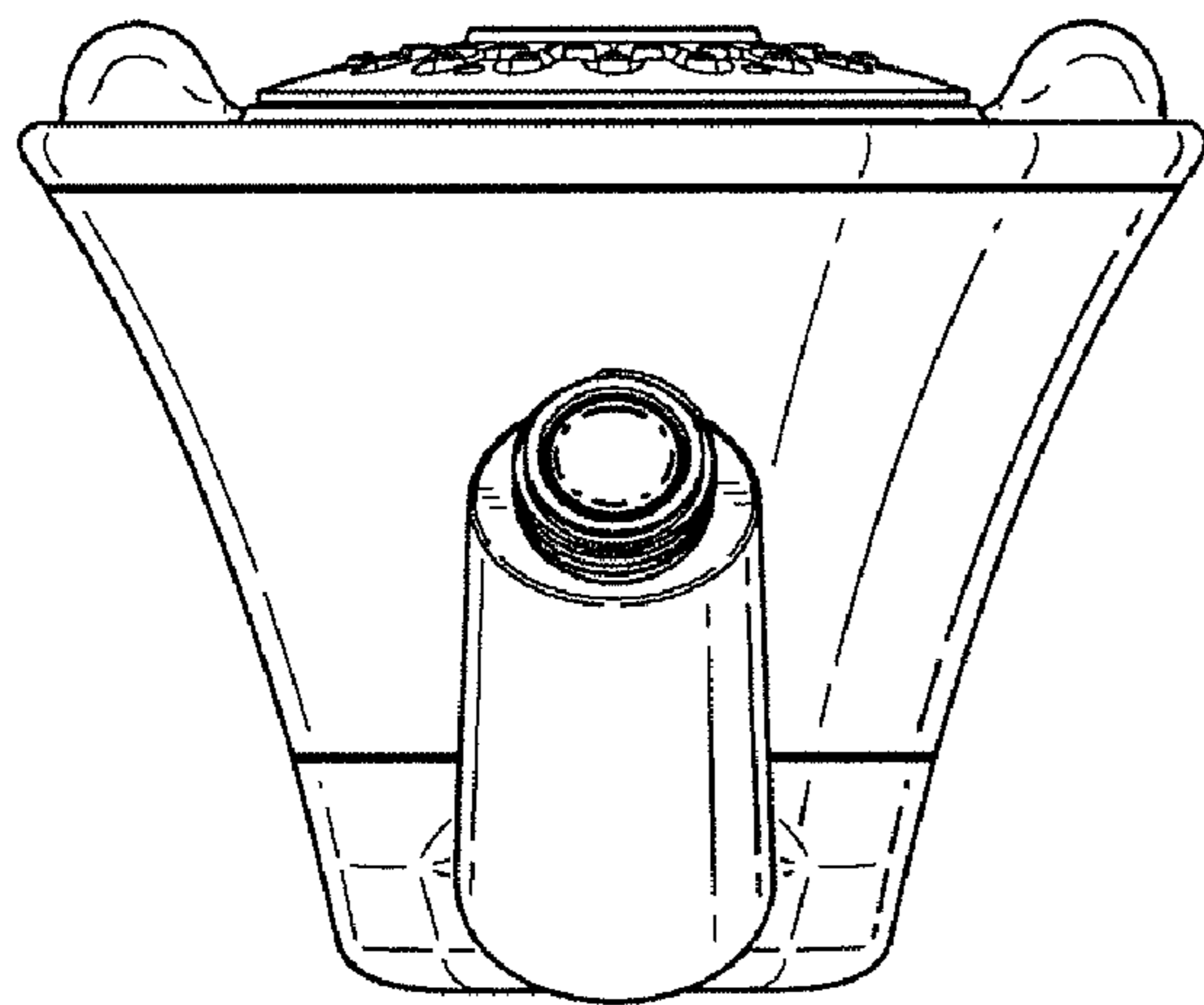
*FIG. 3*



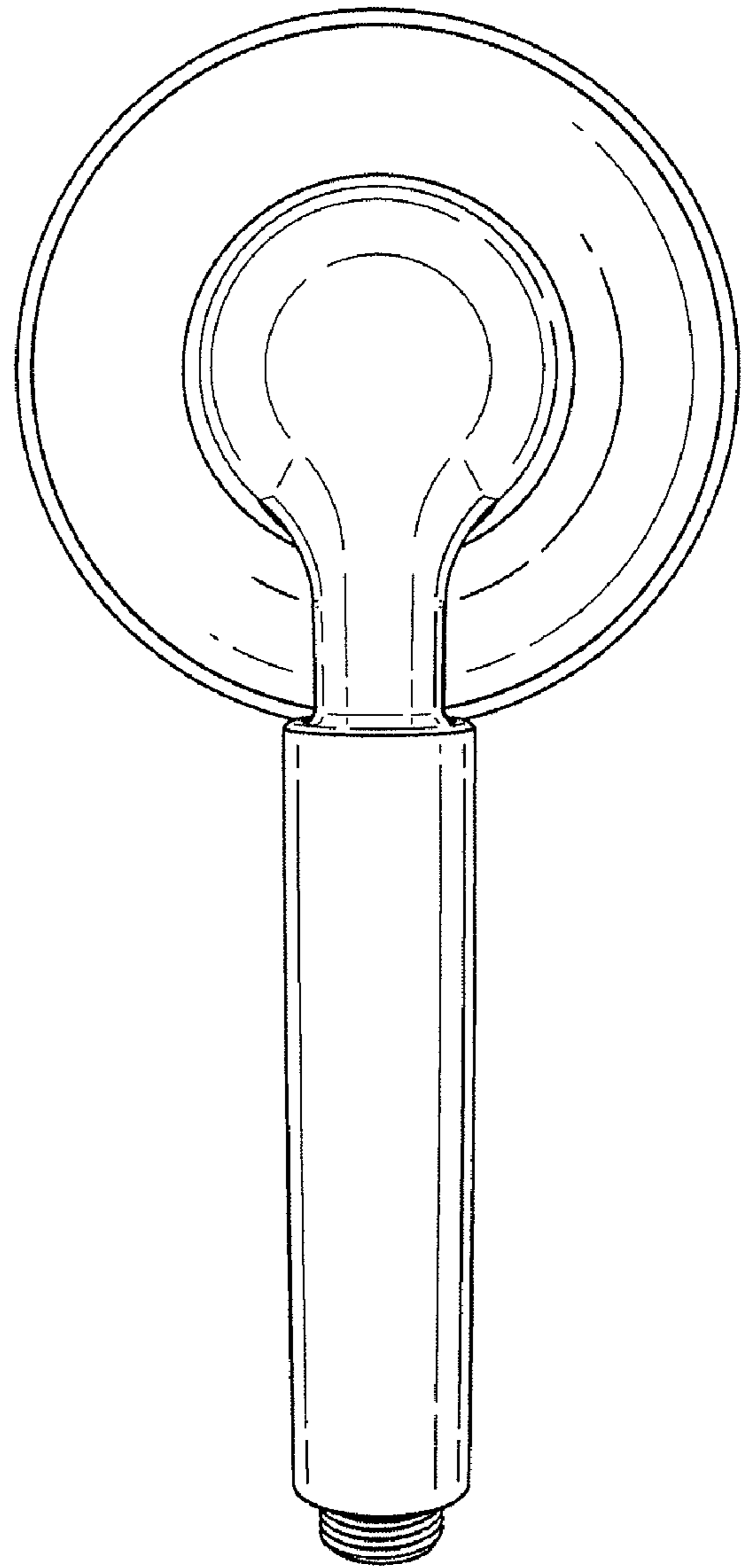
*FIG. 4*



*FIG. 5*



*FIG. 6*



*FIG. 7*