



US00D619674S

(12) **United States Design Patent**
Marlin

(10) **Patent No.:** **US D619,674 S**

(45) **Date of Patent:** **** Jul. 13, 2010**

(54) **FISHING LINE CUTTER**

(75) **Inventor:** **Brad Marlin**, 204-40 Old Mill Road,
Oakville, Ontario (CA) L6J 7W2

(73) **Assignee:** **Brad Marlin**, Burlington, Ont. (CA)

(**) **Term:** **14 Years**

(21) **Appl. No.:** **29/306,818**

(22) **Filed:** **Apr. 16, 2008**

(51) **LOC (9) Cl.** **22-05**

(52) **U.S. Cl.** **D22/134**

(58) **Field of Classification Search** D22/134,
D22/149, 199; 43/25, 25.2, 57.1; 30/296.1,
30/278, 280, 286-287, 289, 290; D8/98,
D8/356

See application file for complete search history.

(56) **References Cited**

U.S. PATENT DOCUMENTS

4,726,140	A *	2/1988	Mears	43/25
4,823,498	A *	4/1989	Banta	43/25
4,896,422	A *	1/1990	Sheehan et al.	30/290
D314,606	S *	2/1991	Banta	D22/149

5,025,585	A *	6/1991	Powell	43/25
D332,651	S *	1/1993	Sugerman	D22/149
5,182,874	A *	2/1993	Powell	43/25
5,383,695	A *	1/1995	Couper	D22/134
D457,934	S *	5/2002	Le Coq	D22/149
7,389,607	B2 *	6/2008	Zwierski	43/25.2

* cited by examiner

Primary Examiner—Catherine R Oliver

(57) **CLAIM**

The ornamental design for a fishing line cutter, as shown.

DESCRIPTION

FIG. 1 is a front elevational view of a fishing line cutter showing my new design;

FIG. 2 is a rear elevational view thereof;

FIG. 3 is a left side elevational view thereof;

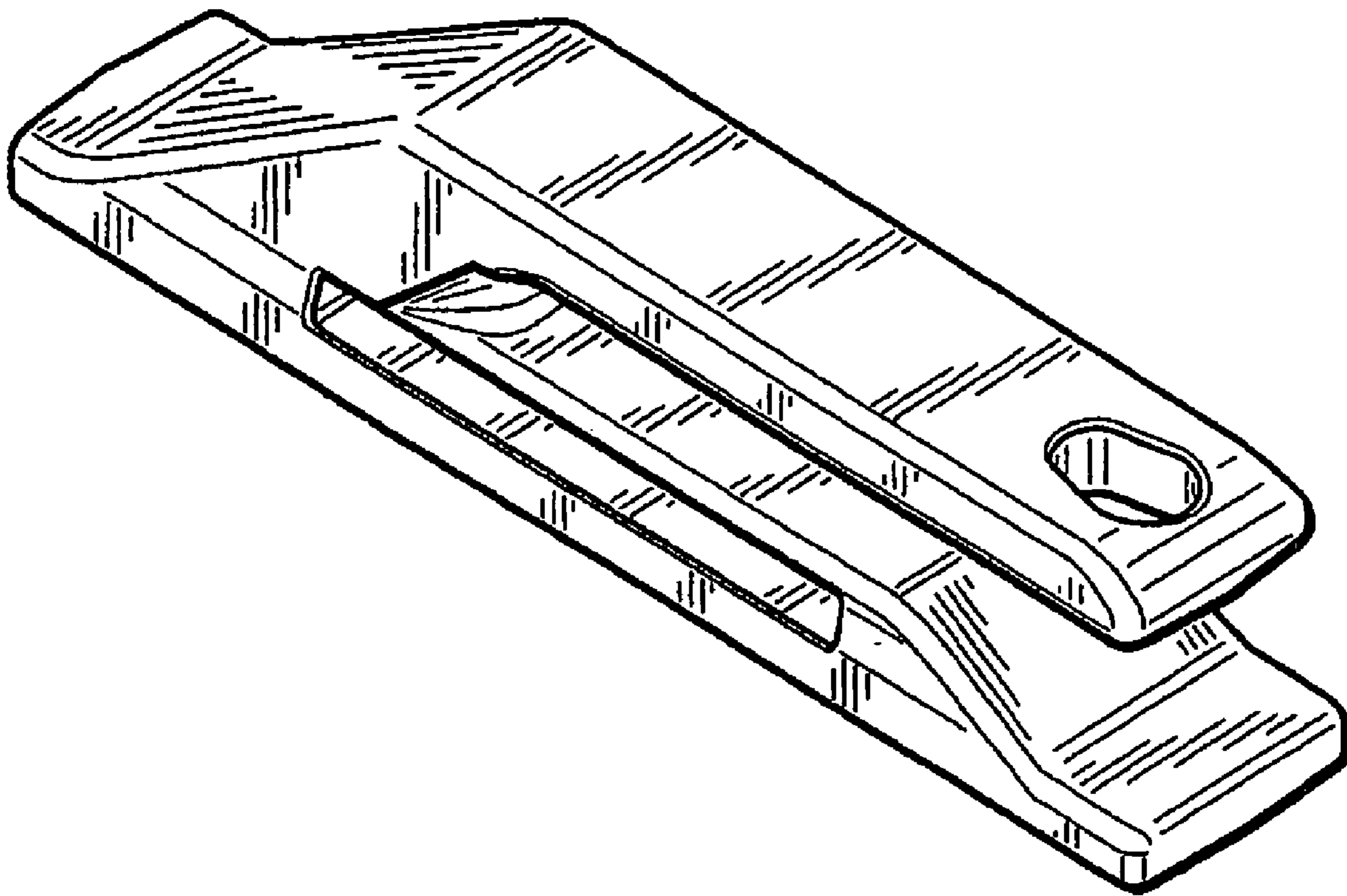
FIG. 4 is a right side elevational view thereof;

FIG. 5 is a top plan view thereof; and

FIG. 6 is a bottom plan view thereof; and,

FIG. 7 is a perspective view of the top, front, and right sides.

1 Claim, 2 Drawing Sheets



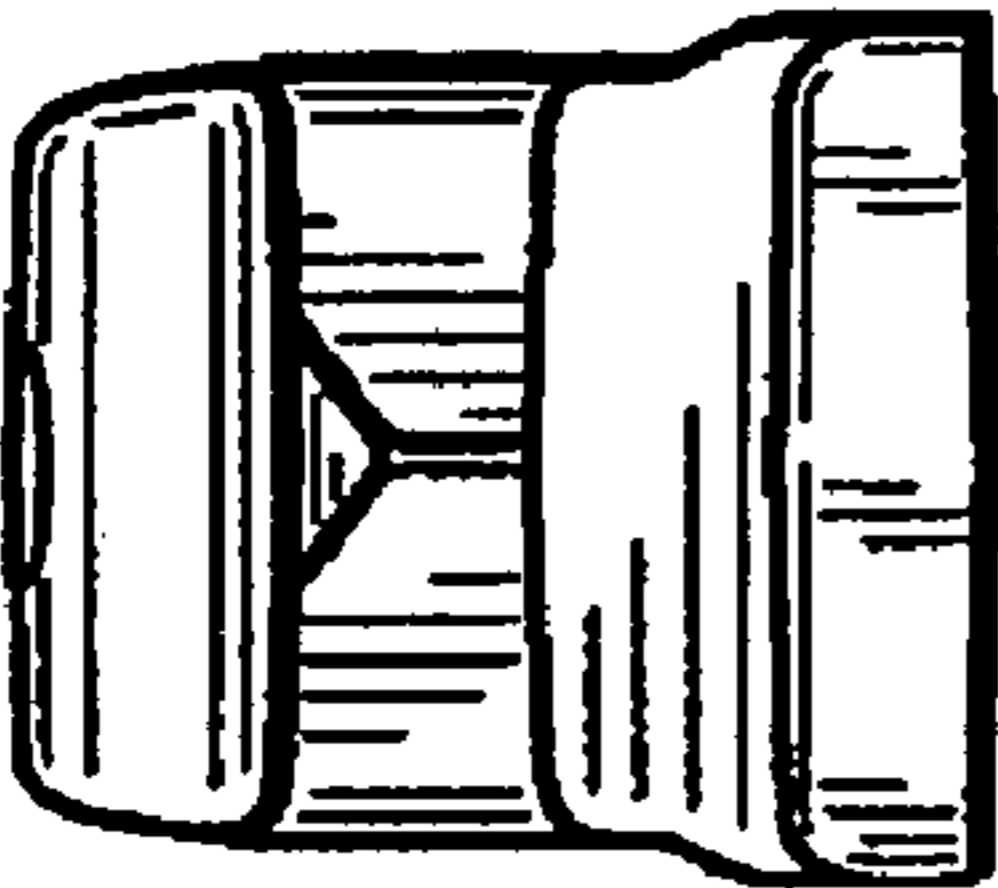


FIG. 1

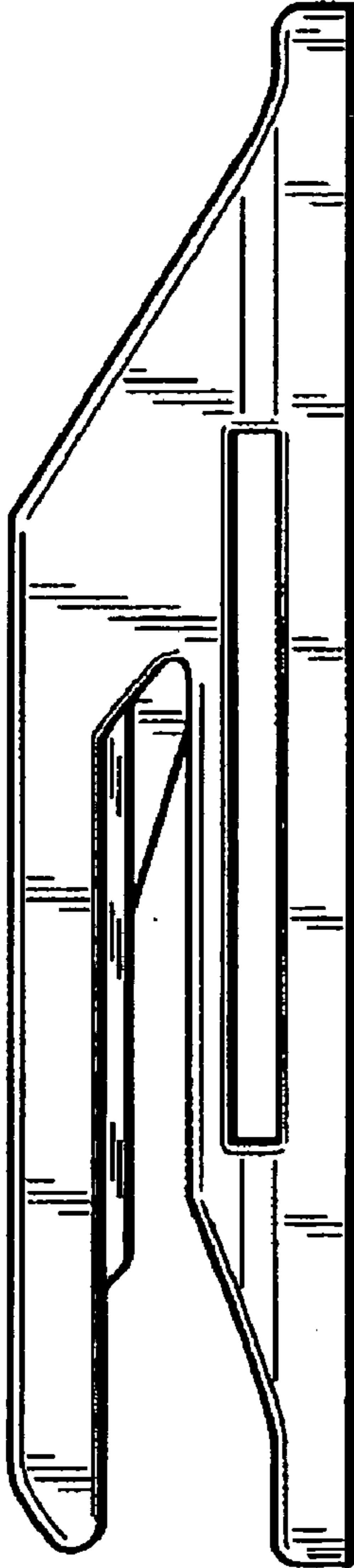


FIG. 3

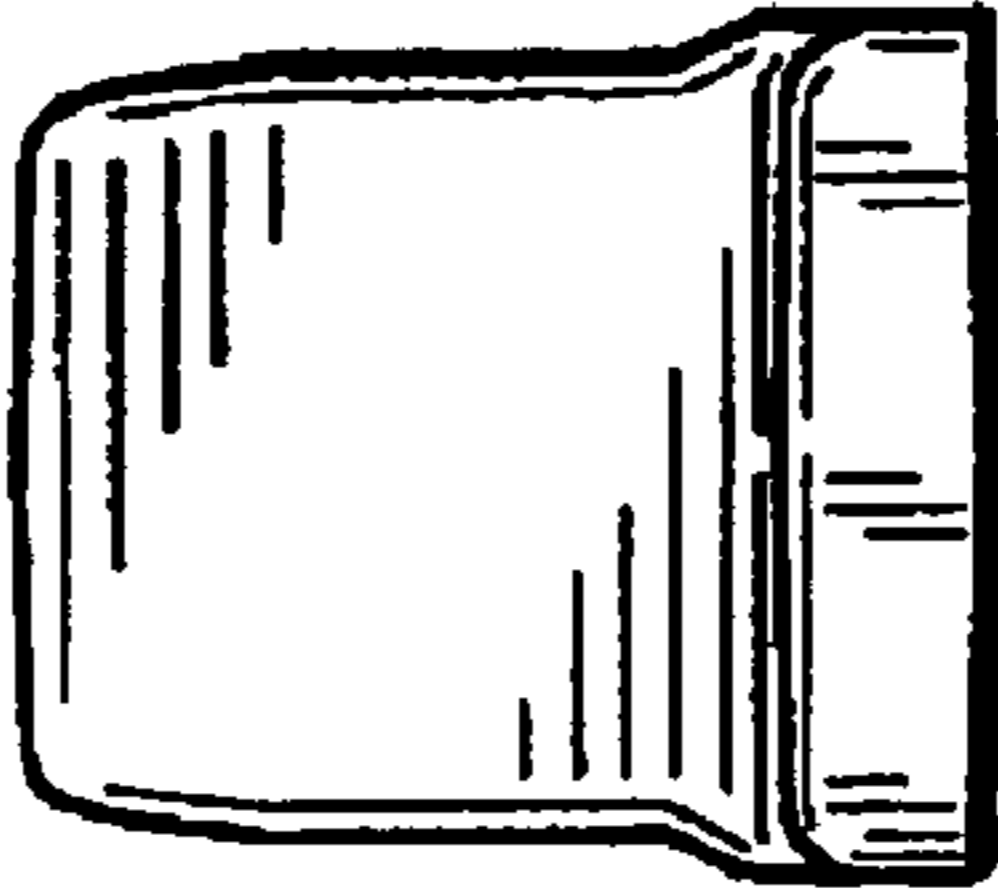


FIG. 2

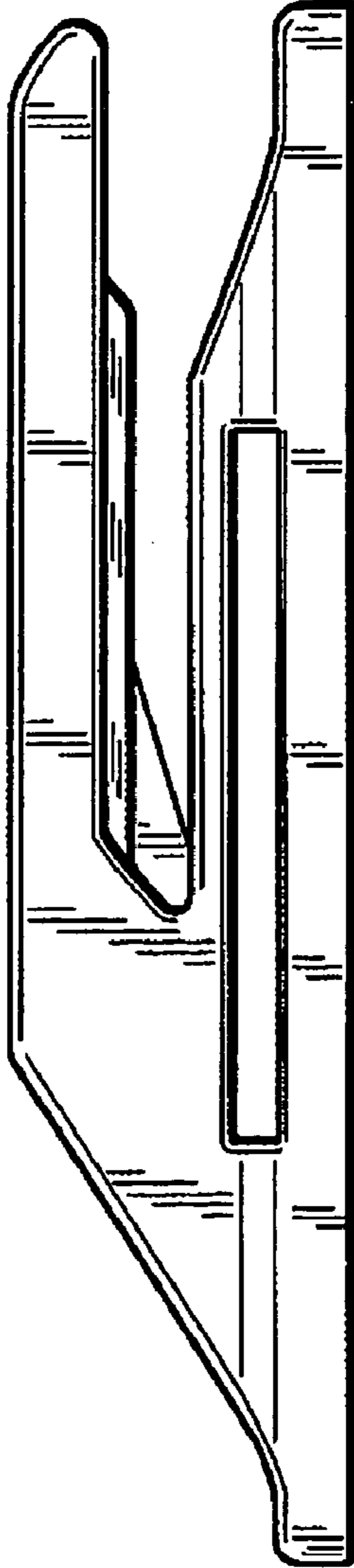


FIG. 4

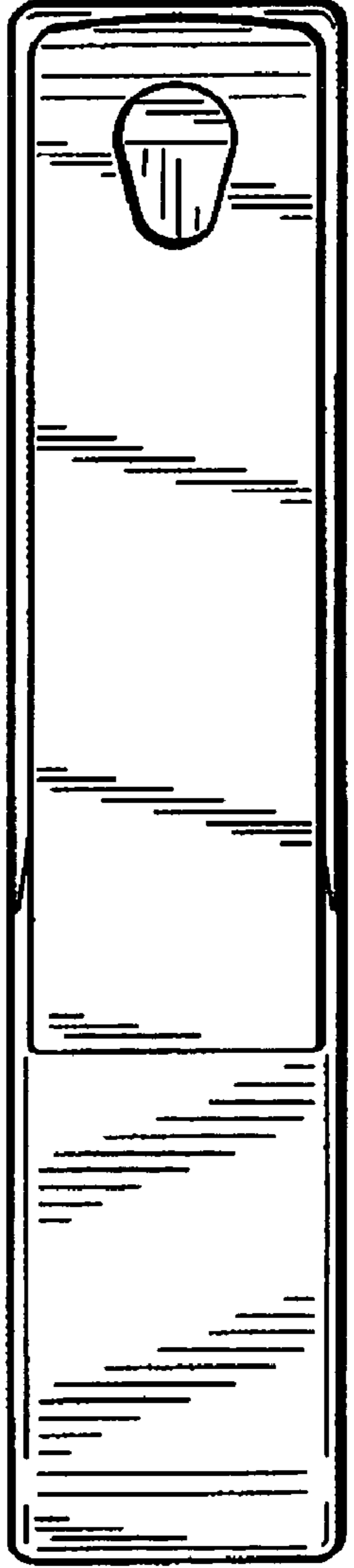


FIG. 5

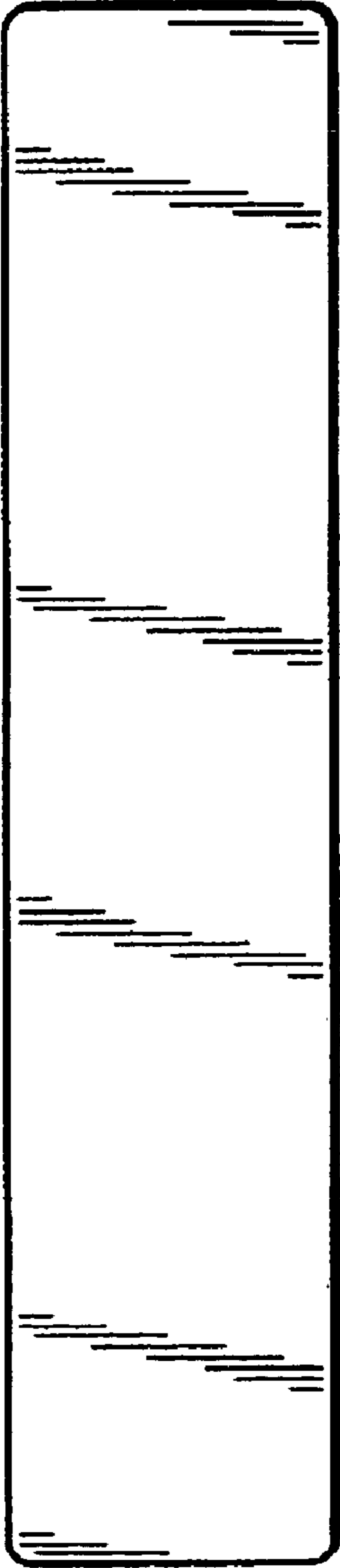


FIG. 6

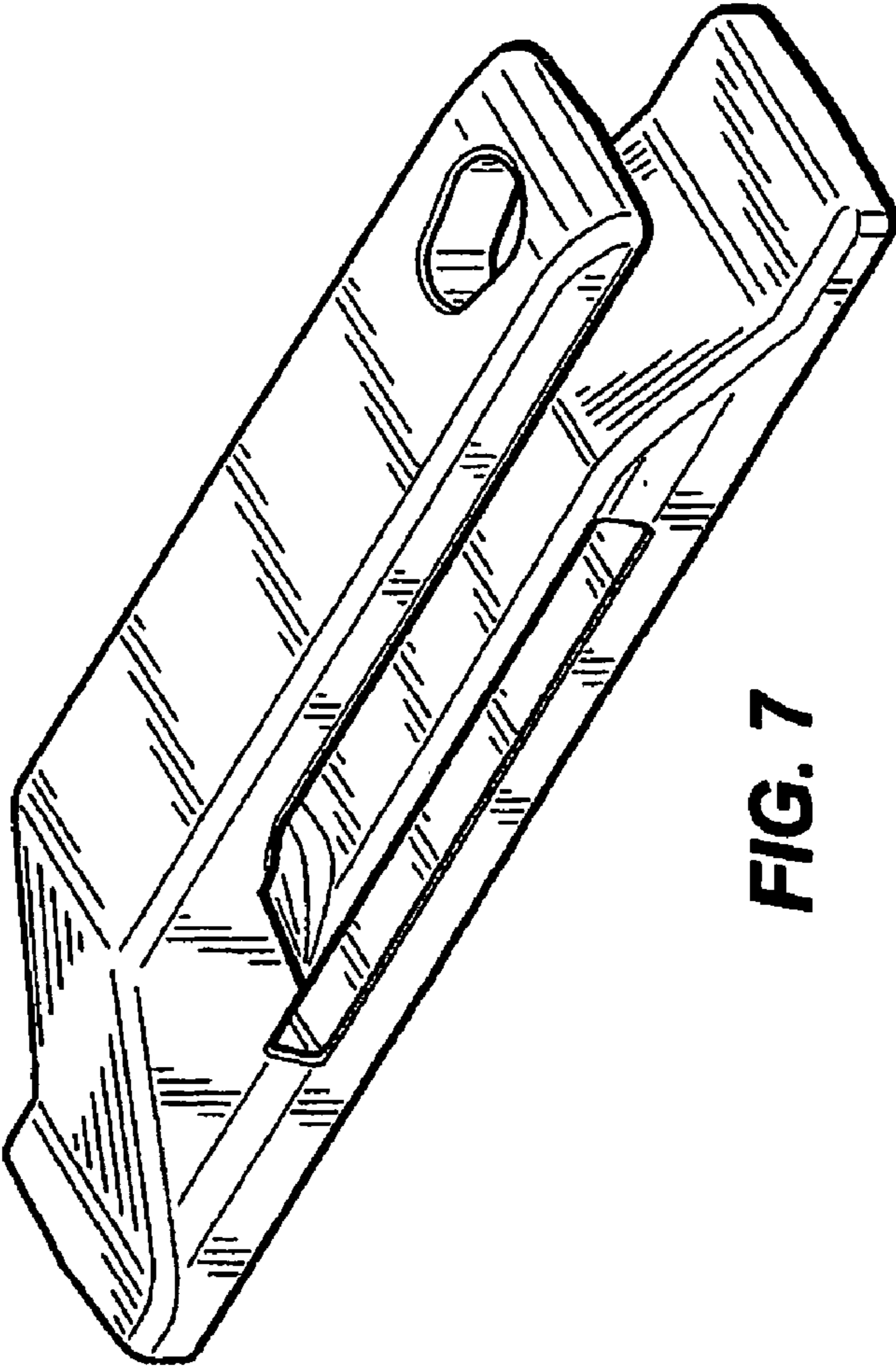


FIG. 7