



US00D619672S

(12) **United States Design Patent**
Schneider

(10) **Patent No.:** **US D619,672 S**

(45) **Date of Patent:** **** Jul. 13, 2010**

(54) **VEHICULAR WEAPON MOUNT**

(76) **Inventor:** **James Schneider**, 1836 7th Ave N, Lake Worth, FL (US) 33461

(**) **Term:** **14 Years**

(21) **Appl. No.:** **29/344,604**

(22) **Filed:** **Oct. 1, 2009**

(51) **LOC (9) Cl.** **22-01**

(52) **U.S. Cl.** **D22/108**

(58) **Field of Classification Search** D22/100,
D22/108, 199; D8/1, 380, 381; D6/417,
D6/552; 42/94; 89/37.04; 211/64, 89; 248/872,
248/156, 530; 224/551, 571, 413, 442, 311,
224/913

See application file for complete search history.

(56) **References Cited**

U.S. PATENT DOCUMENTS

5,779,120	A *	7/1998	Morford	224/571
D397,403	S *	8/1998	Zebbedies	D22/108
D428,962	S *	8/2000	Morford	D22/108
6,129,252	A *	10/2000	Jackson et al.	224/406
D568,437	S *	5/2008	McBurney et al.	D22/108

* cited by examiner

Primary Examiner—T. Chase Nelson

Assistant Examiner—Michael A Pratt

(74) *Attorney, Agent, or Firm*—McHale & Slavin, P.A.

(57) **CLAIM**

The ornamental design for a vehicular weapon mount, as shown and described.

DESCRIPTION

FIG. 1 is a top left perspective view of the vehicular weapon mount of the instant invention;

FIG. 2 is a rear view thereof;

FIG. 3 is a front view thereof;

FIG. 4 is a top view thereof;

FIG. 5 is a bottom view thereof;

FIG. 6 is a left side view thereof;

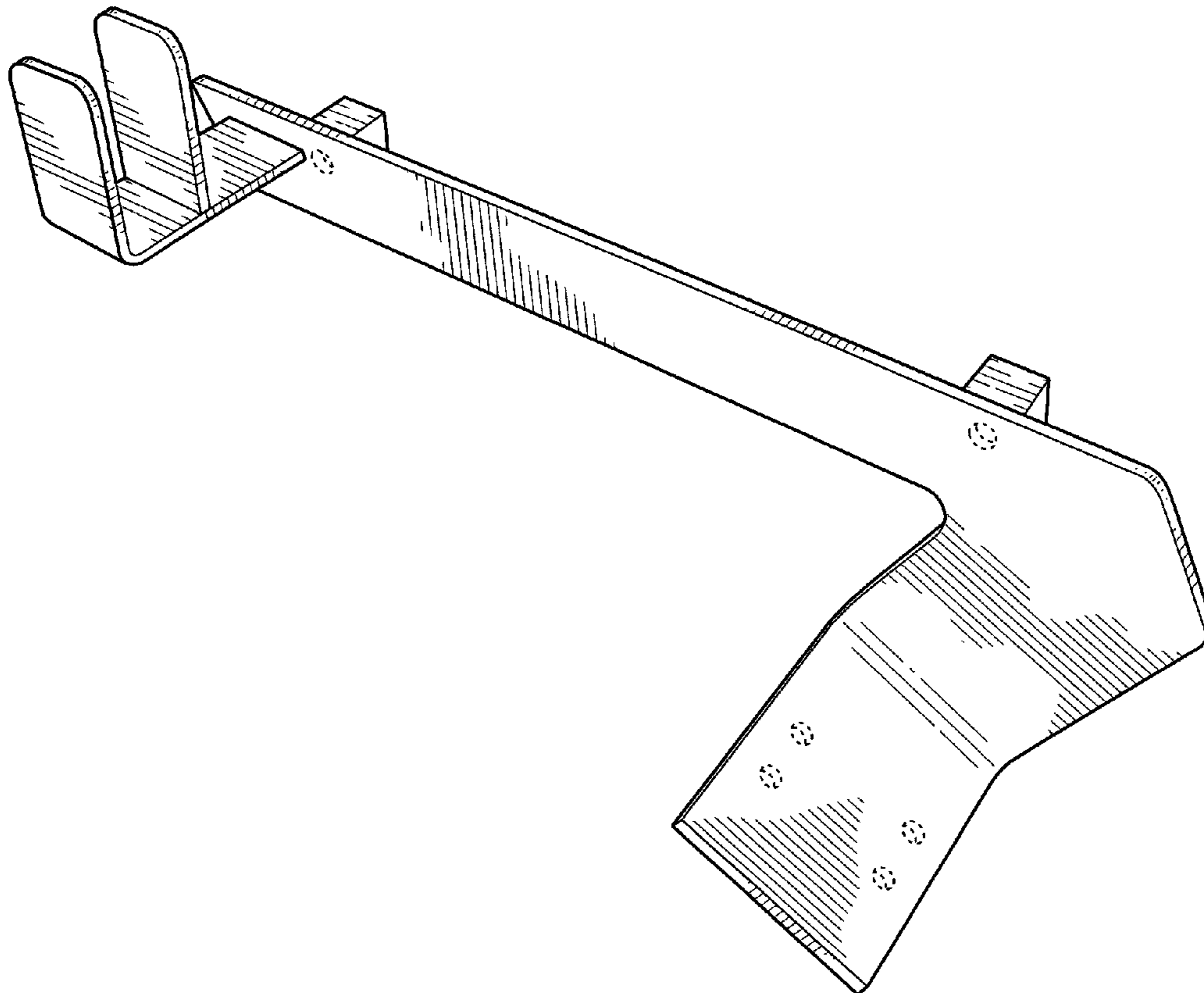
FIG. 7 is a right side view thereof;

FIG. 8 is a left perspective view thereof illustrating the device in combination with a weapon; and,

FIG. 9 is a top perspective view illustrating the device secured within a motorcycle saddlebag.

The portions of the figures illustrated in broken lines are for illustrative purposes only and form no part of the claimed design.

1 Claim, 9 Drawing Sheets



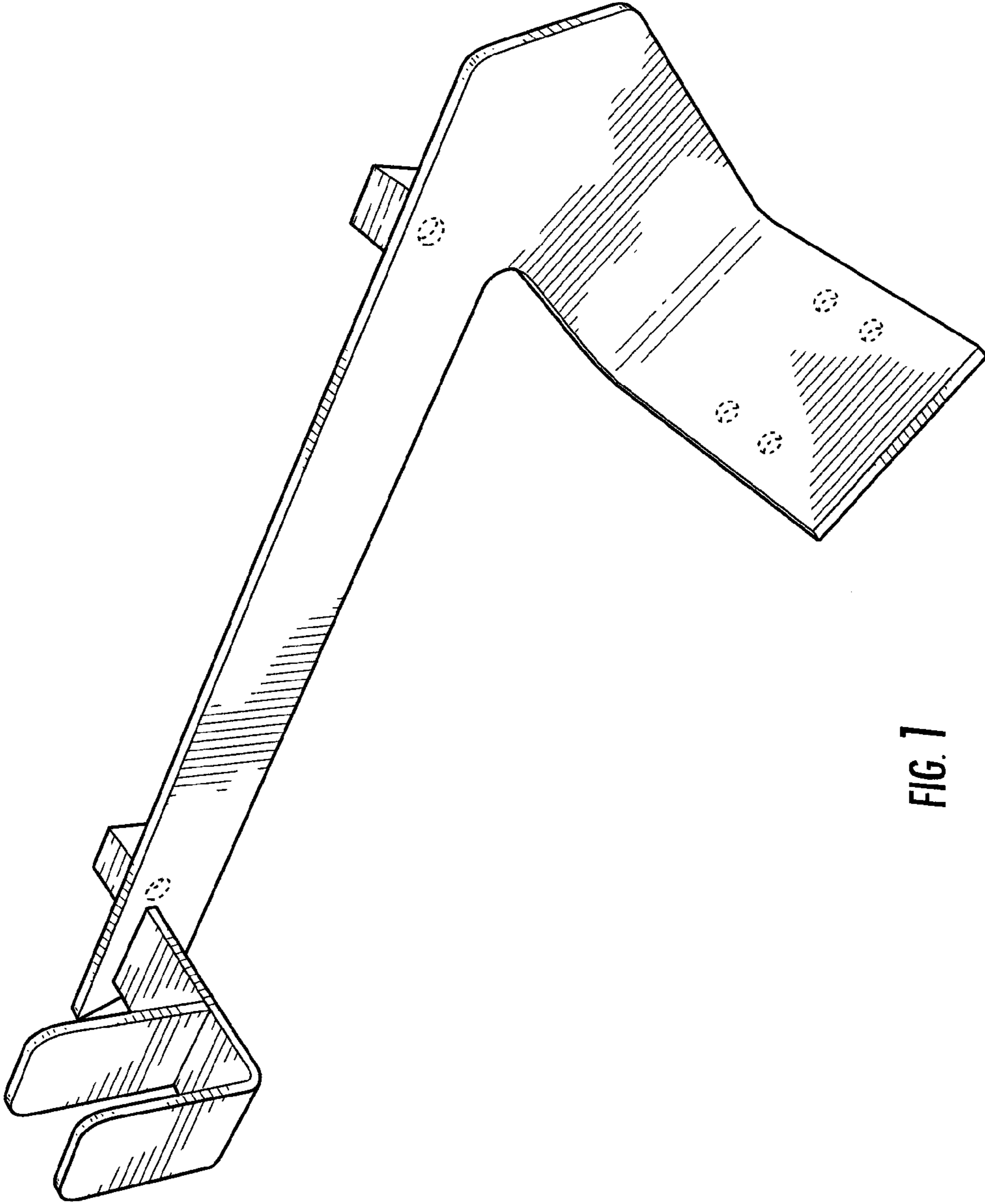


FIG. 1

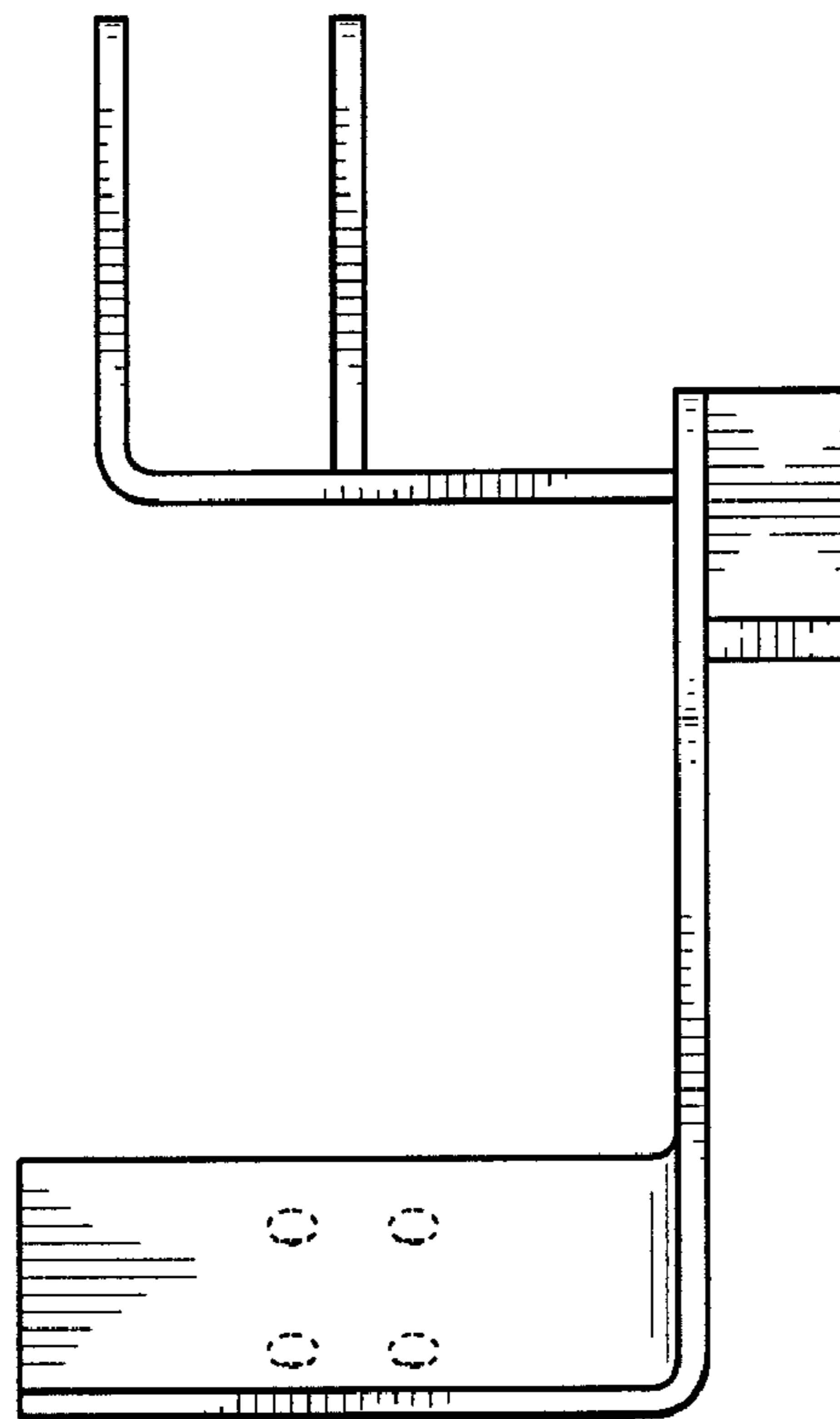


FIG. 2

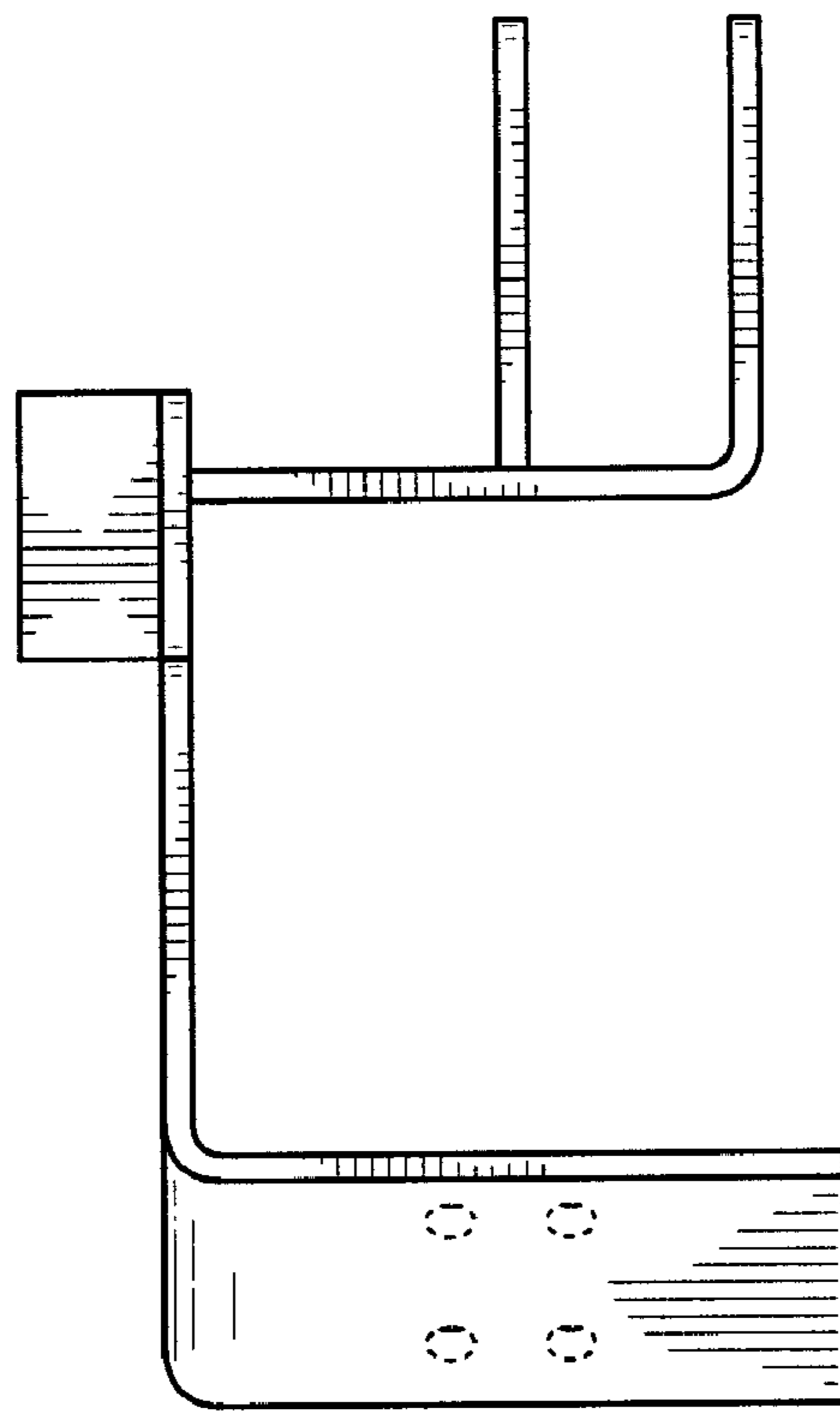


FIG. 3

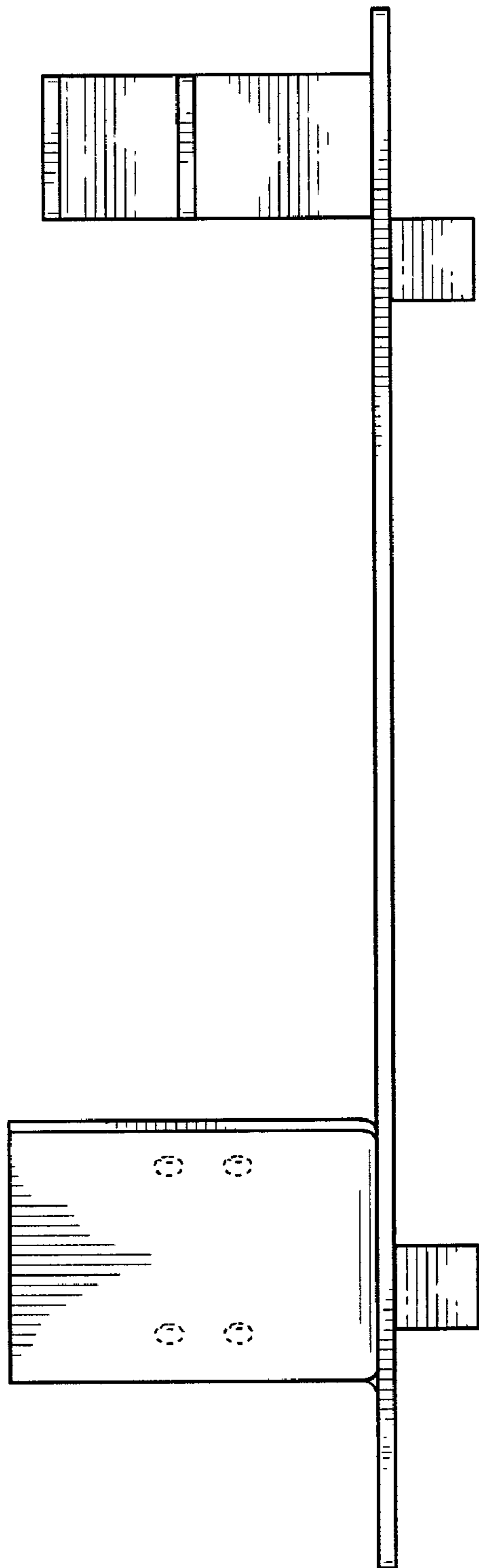


FIG. 4

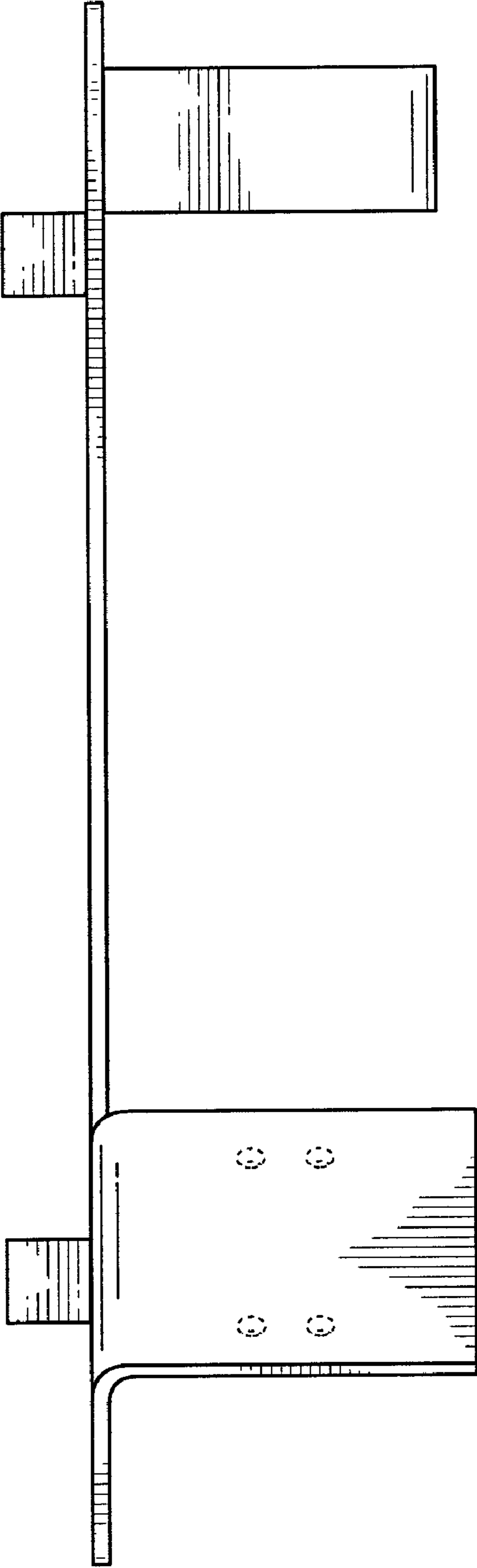


FIG. 5

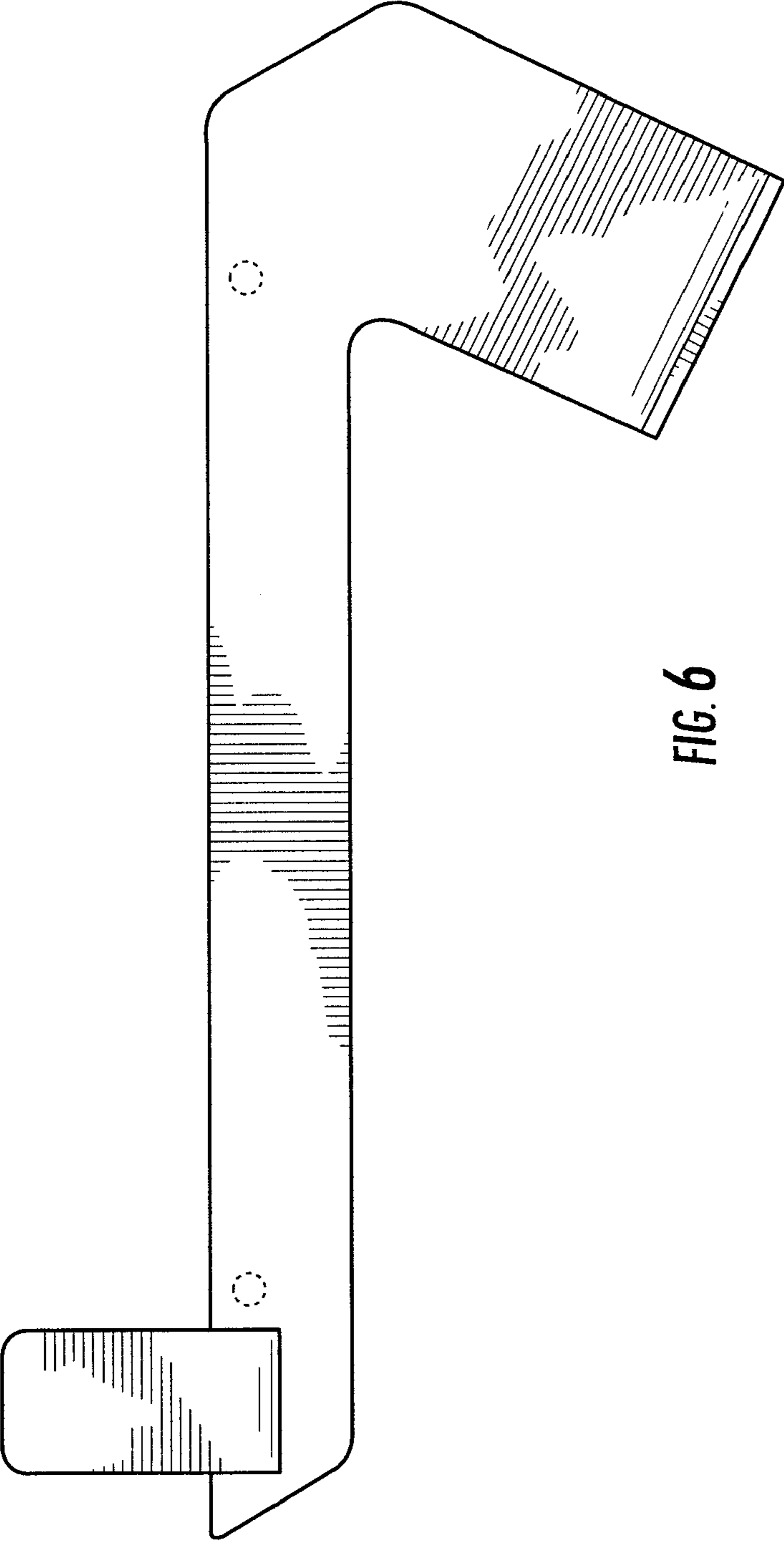


FIG. 6

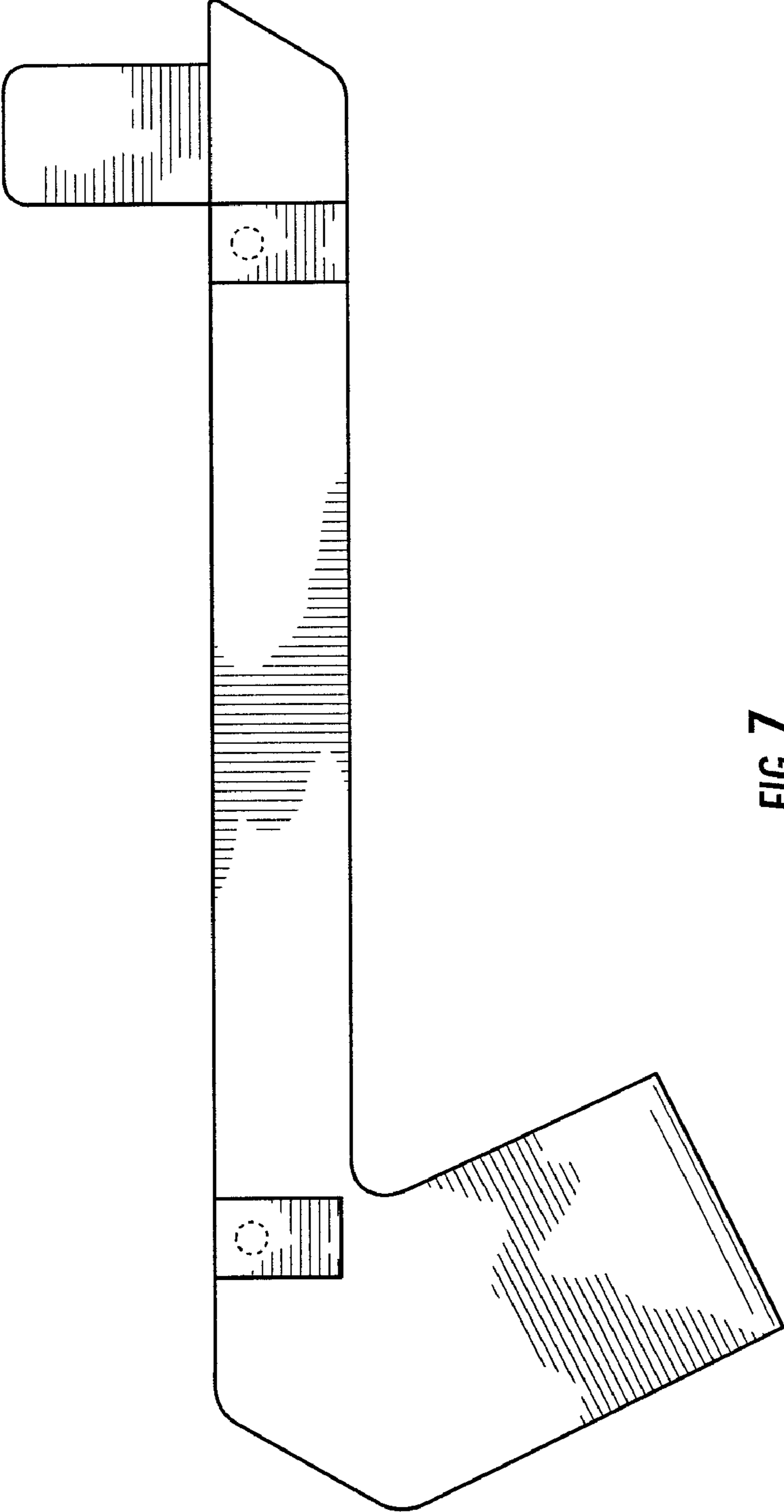


FIG. 7

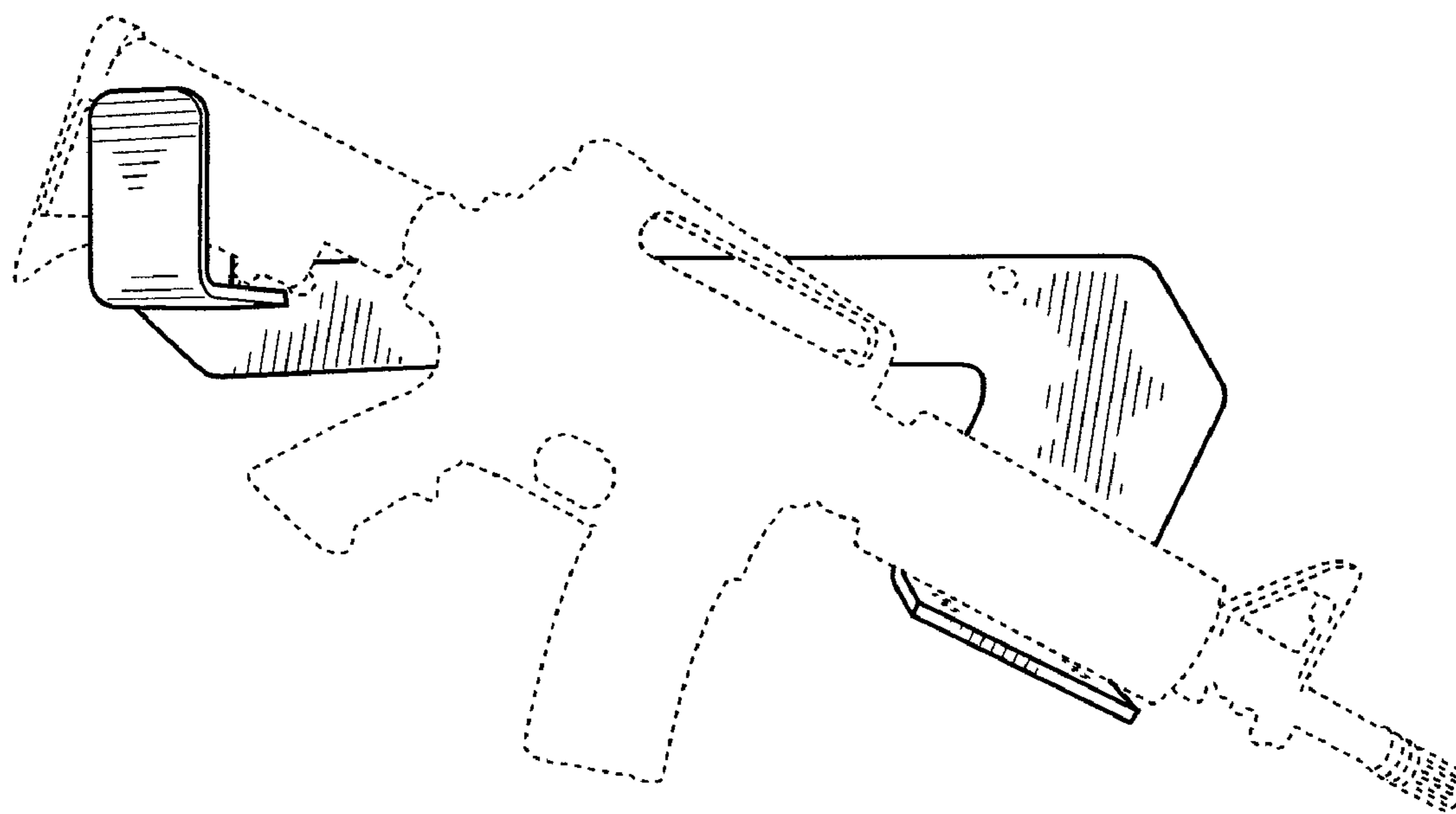


FIG. 8

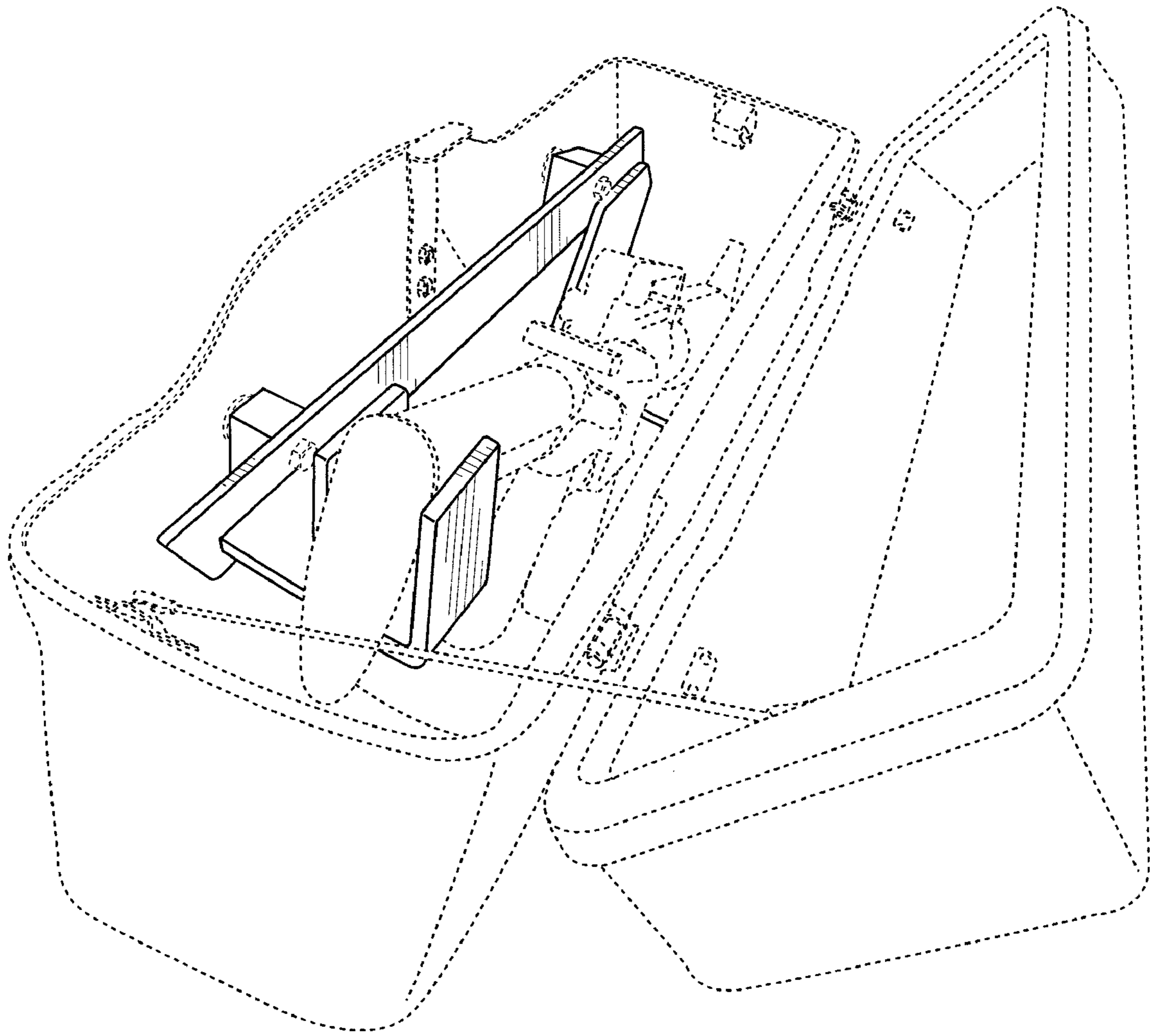


FIG. 9