



US00D619669S

(12) **United States Design Patent**
Mesirow

(10) **Patent No.:** **US D619,669 S**
(45) **Date of Patent:** **** Jul. 13, 2010**

(54) **FITNESS BEAM**

(76) **Inventor:** **David Mesirow**, 36760 Avenida Del Sol,
Cathedral City, CA (US) 92234

(**) **Term:** **14 Years**

(21) **Appl. No.:** **29/326,592**

(22) **Filed:** **Oct. 21, 2008**

(51) **LOC (9) Cl.** **21-02**

(52) **U.S. Cl.** **D21/797**

(58) **Field of Classification Search** D8/380,
D8/330, 14; D21/694, 687, 686, 662, 692,
D21/797, 689, 698, 788; D25/60; 600/583;
482/124, 125, 129, 142, 137, 96; 248/121,
248/121.5; 297/461

See application file for complete search history.

(56) **References Cited**

U.S. PATENT DOCUMENTS

D57,752 S *	4/1921	Webber	D20/15
1,627,517 A *	5/1927	Littleford, Jr.	273/317.2
2,077,233 A *	4/1937	Greenhill	267/117
3,575,092 A *	4/1971	Freeman	404/10
D245,799 S *	9/1977	Rogers	D21/788
D328,573 S *	8/1992	Berry	D11/157
D366,764 S *	2/1996	Hunt	D6/300
D385,262 S *	10/1997	Hughes	D14/417
D386,007 S *	11/1997	Eckhardt	D6/300
5,713,817 A *	2/1998	Buchanan	482/23
D441,823 S *	5/2001	Blackhurst	D21/797
D469,486 S *	1/2003	Olson	D21/687

D477,767 S *	7/2003	Burdett et al.	D8/330
D510,198 S *	10/2005	Willardson	D6/328
D522,307 S *	6/2006	Mariani et al.	D7/355
D529,960 S *	10/2006	Cox	D19/37
D577,524 S *	9/2008	Frazier	D6/510
D583,575 S *	12/2008	Goldman et al.	D6/328
D588,201 S *	3/2009	Kohagen et al.	D20/42
D588,777 S *	3/2009	Bornholdt	D1/127

* cited by examiner

Primary Examiner—Robert M Spear

Assistant Examiner—Cynthia Underwood

(74) *Attorney, Agent, or Firm*—QuickPatents, Inc.; Kevin Prince

(57) **CLAIM**

I claim the ornamental design for a fitness beam, as shown and described.

DESCRIPTION

FIG. 1 is a perspective view of a fitness beam, showing my new design;

FIG. 2 is a left-side elevational view of the invention, the right-side elevational view being a mirror image thereof;

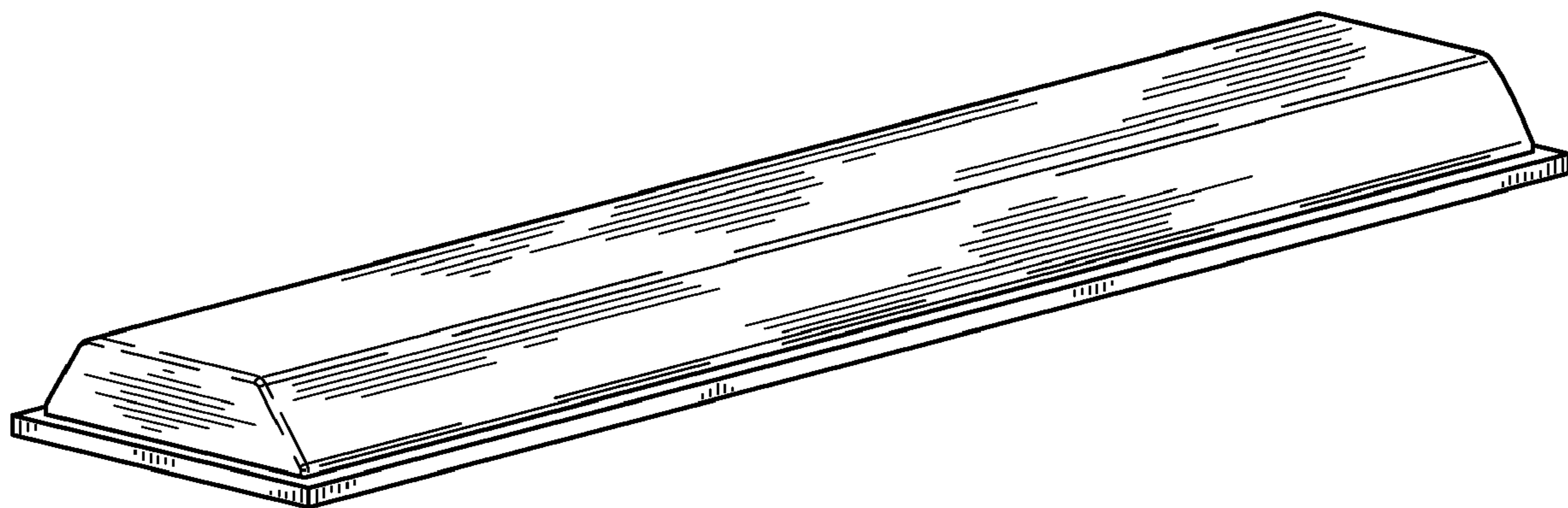
FIG. 3 is a front elevational view of the invention, the rear elevational view being a mirror image thereof;

FIG. 4 is a top plan view of the invention; and,

FIG. 5 is a bottom plan view of the invention.

The broken lines in FIG. 5 represent a portion of the structure that forms no part of the claim.

1 Claim, 1 Drawing Sheet



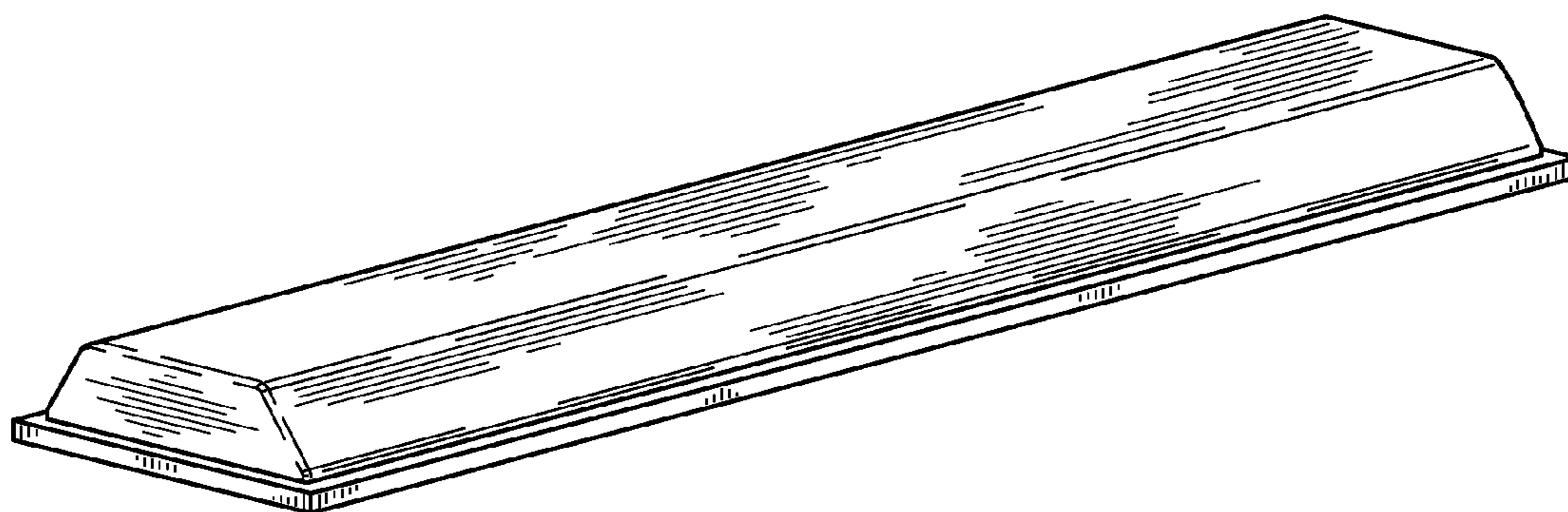


FIG. 1



FIG. 2

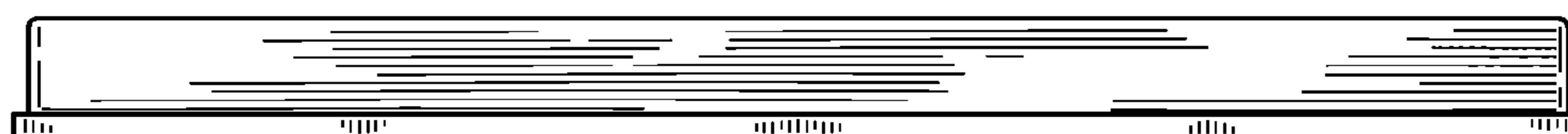


FIG. 3

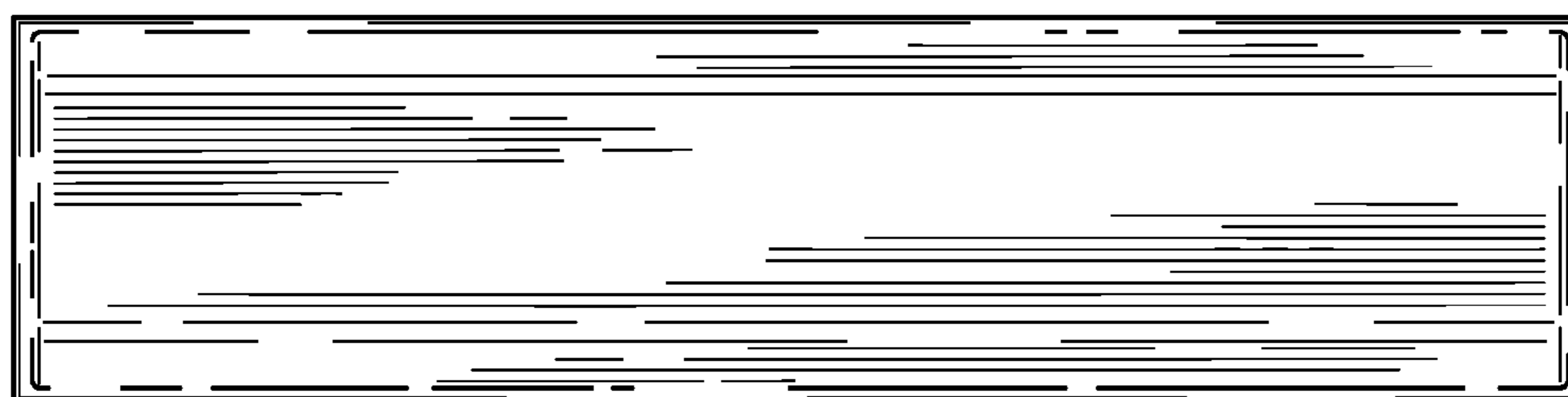


FIG. 4



FIG. 5