



US00D619666S

(12) **United States Design Patent**
DePaul

(10) **Patent No.:** **US D619,666 S**
(45) **Date of Patent:** **** Jul. 13, 2010**

(54) **GOLF PUTTER HEAD**

(76) Inventor: **Richard DePaul**, 1420 Parsons Blvd.,
Whitestone, NY (US) 11357

(**) Term: **14 Years**

(21) Appl. No.: **29/315,270**

(22) Filed: **Jun. 10, 2009**

(51) **LOC (9) Cl.** **21-02**

(52) **U.S. Cl.** **D21/743**

(58) **Field of Classification Search** D21/736-746;
473/324-331, 340-341, 251-256
See application file for complete search history.

(56) **References Cited**

U.S. PATENT DOCUMENTS

D229,844 S *	1/1974	Pavelle	D21/741
D234,962 S	4/1975	Swash	D34/5 GH
3,921,984 A *	11/1975	Winter	473/251
3,966,210 A *	6/1976	Rozmus	473/341
4,383,690 A *	5/1983	Maxwell	473/252
D350,177 S *	8/1994	Ramirez et al.	D21/745
D359,330 S *	6/1995	Channell	D21/741
D381,382 S *	7/1997	Fenton, Jr.	D21/743
D399,274 S *	10/1998	Bradford	D21/736
D422,041 S *	3/2000	Bradford	D21/736
6,652,390 B2	11/2003	Bradford	473/341
6,752,723 B2	6/2004	Cullen	473/251
D505,702 S *	5/2005	Wood	D21/736
D515,156 S	2/2006	Garcia	D21/746
7,018,304 B2 *	3/2006	Bradford	473/334
D532,845 S *	11/2006	Rollinson	D21/736

D537,137 S	2/2007	Sheehan	D21/746
D542,869 S	5/2007	Adams	D21/742
7,297,073 B2	11/2007	Jung	473/340
7,326,121 B2	2/2008	Roake	473/251
D573,673 S *	7/2008	Noyes	D21/736
D582,497 S *	12/2008	Rollinson	D21/744
D585,510 S *	1/2009	Murrieta	D21/736
7,491,131 B2	2/2009	Vinton	473/251
D589,575 S *	3/2009	Kim et al.	D21/744
D590,461 S *	4/2009	Kim et al.	D21/743
D591,807 S *	5/2009	Rollinson	D21/744
D595,373 S *	6/2009	Kim et al.	D21/744
D604,787 S *	11/2009	Hopkins	D21/791

* cited by examiner

Primary Examiner—Mitchell I Siegel

(74) *Attorney, Agent, or Firm*—Goldstein Law Offices, P.C.

(57) **CLAIM**

The ornamental design for a golf putter head, as shown and described.

DESCRIPTION

FIG. 1 is a perspective view of the golf putter head in full lines.

FIG. 2 is a front elevational view of the golf putter head.

FIG. 3 is a rear elevational view thereof.

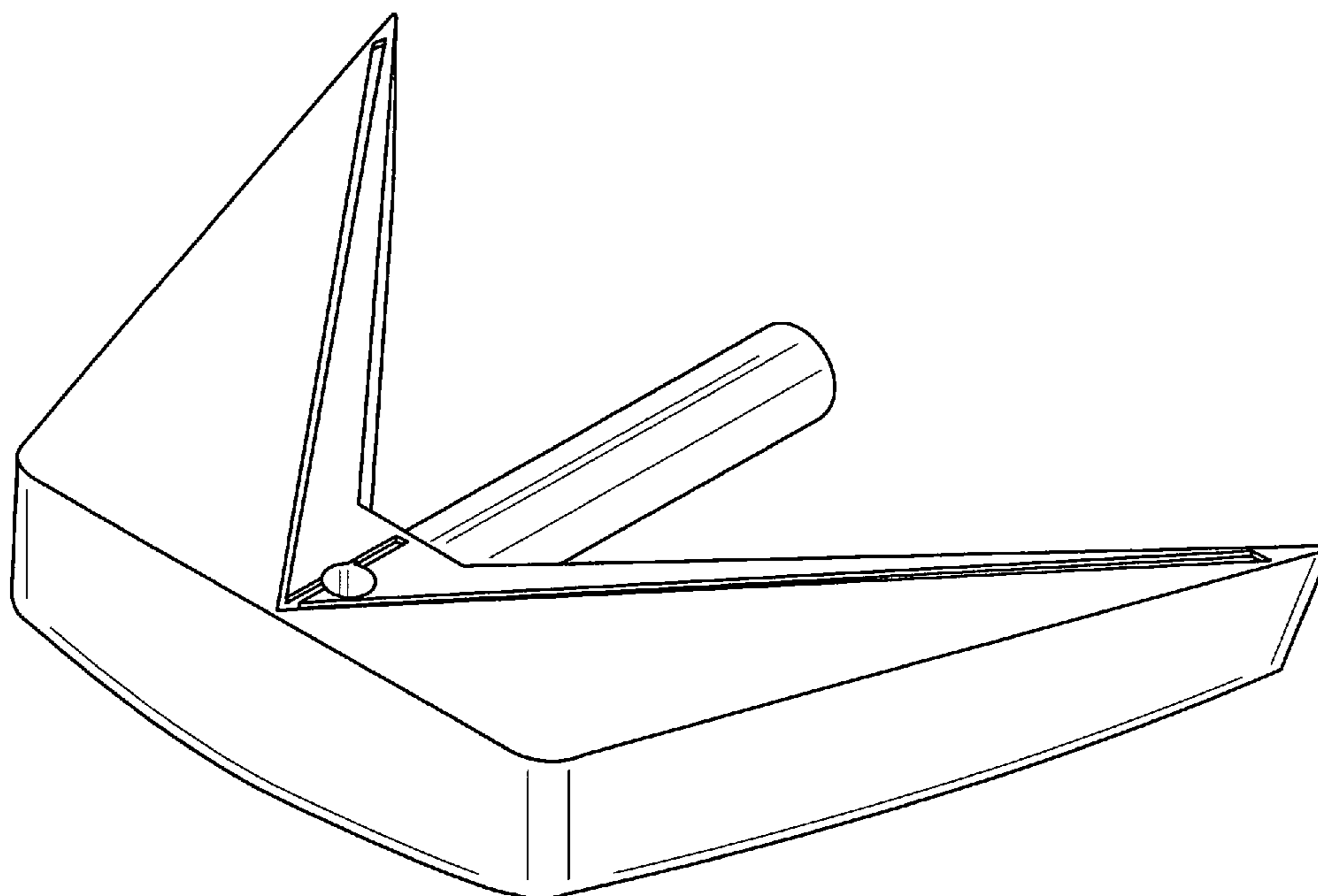
FIG. 4 is a top plan view thereof.

FIG. 5 is a bottom plan view thereof

FIG. 6 is left side elevational view thereof; and,

FIG. 7 is a right side elevational view thereof.

1 Claim, 4 Drawing Sheets



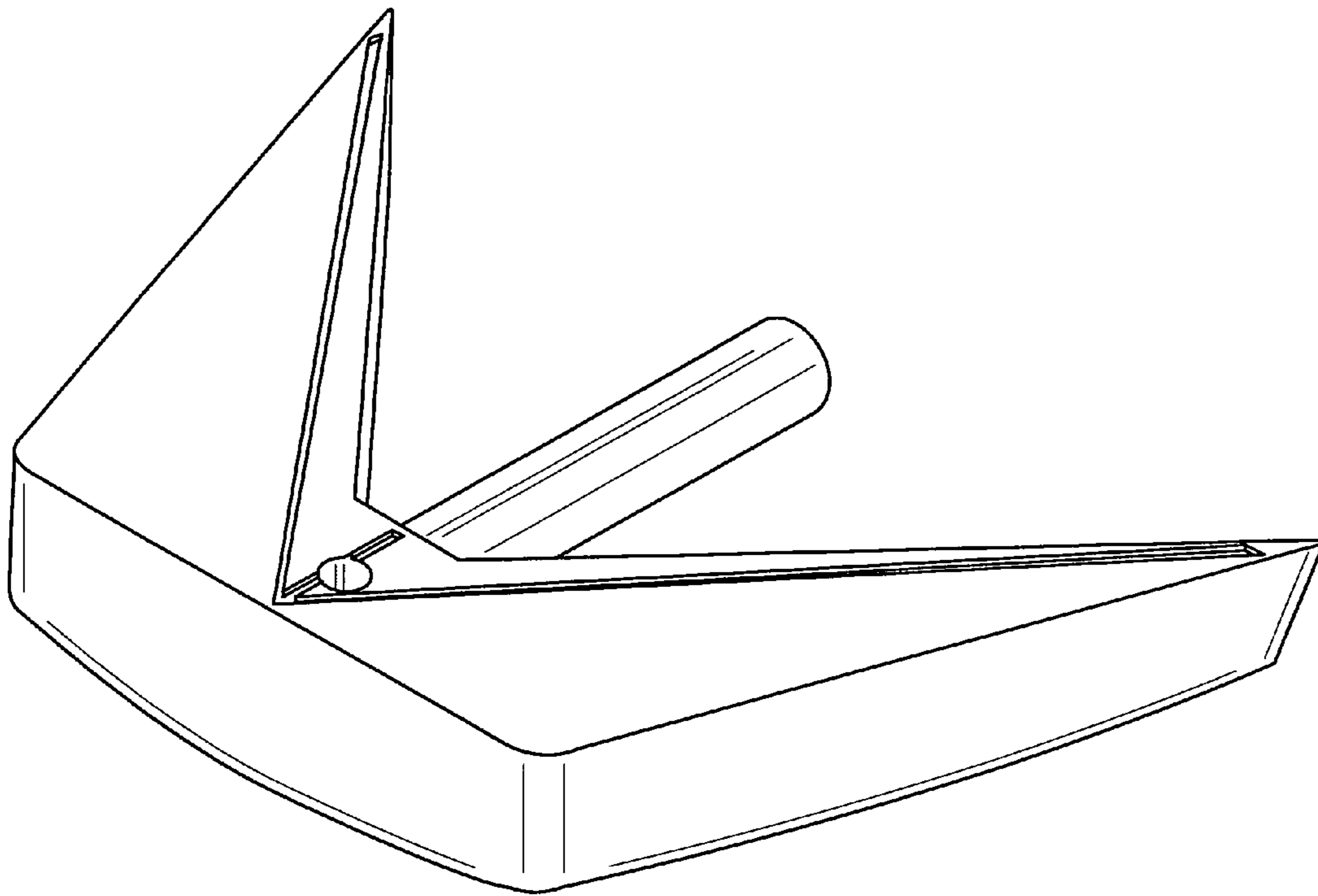


FIG. 1

FIG. 2

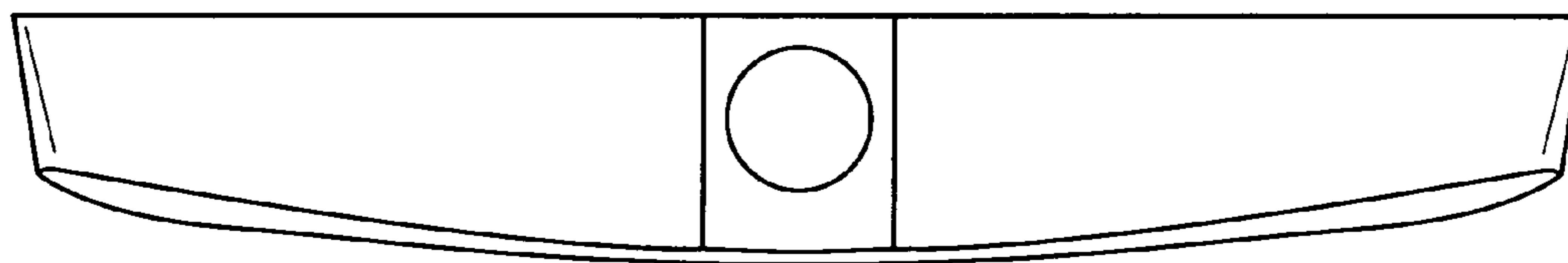


FIG. 3

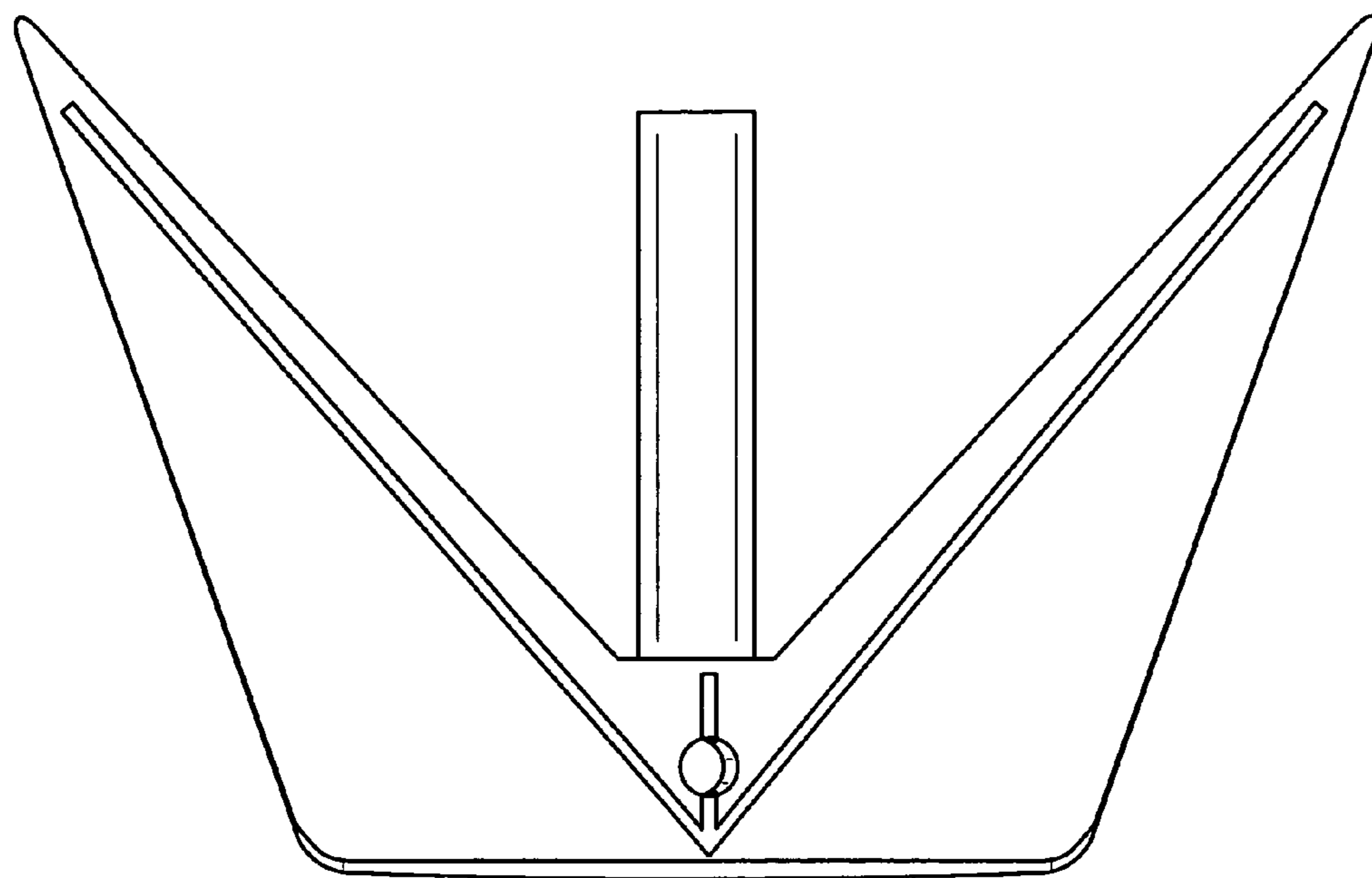


FIG. 4

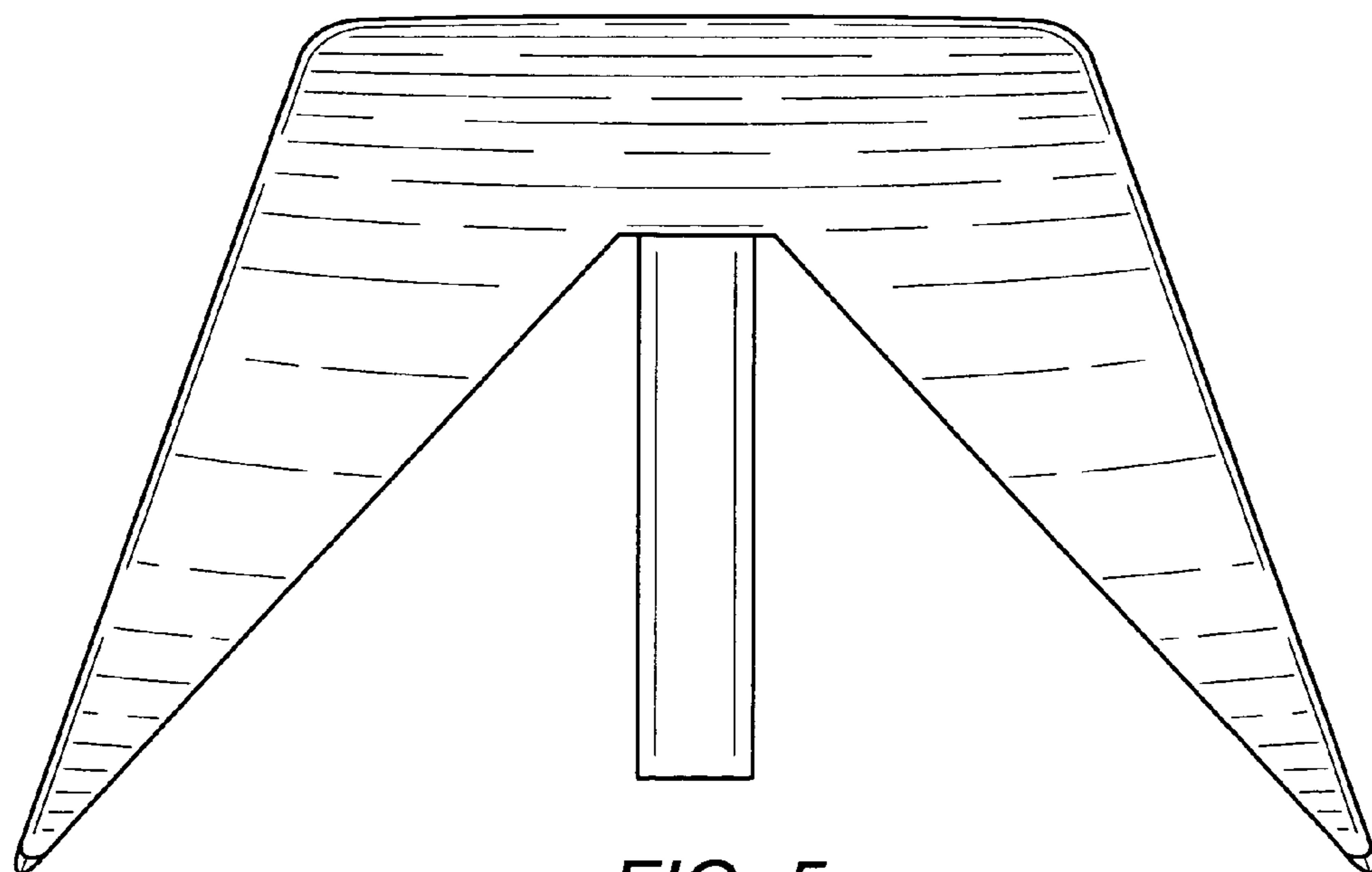


FIG. 5

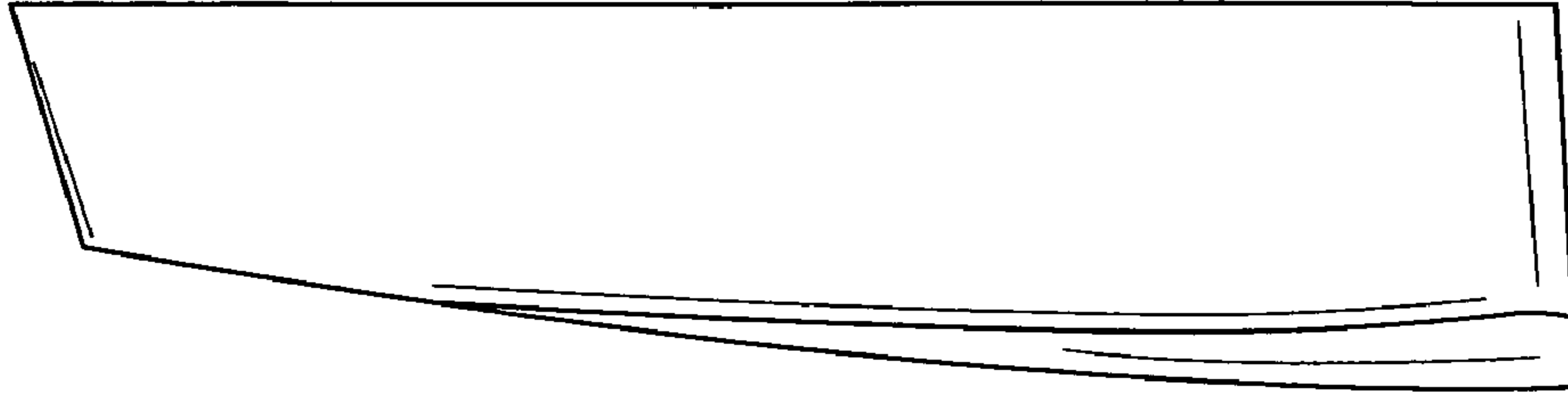


FIG. 6

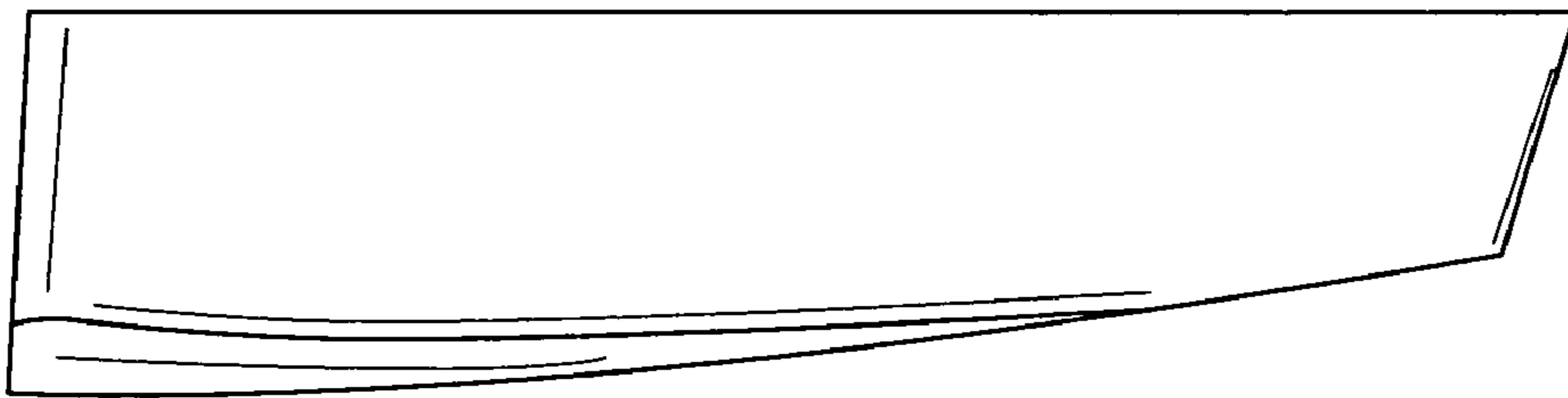


FIG. 7