



US00D619665S

(12) **United States Design Patent**  
**Rollinson et al.**

(10) **Patent No.:** **US D619,665 S**

(45) **Date of Patent:** **\*\* Jul. 13, 2010**

(54) **PUTTER HEAD**

(75) Inventors: **Augustin W. Rollinson**, Carlsbad, CA  
(US); **Larry G. Tang**, Carlsbad, CA  
(US)

(73) Assignee: **Callaway Golf Company**, Carlsbad, CA  
(US)

(\*\*) Term: **14 Years**

(21) Appl. No.: **29/342,262**

(22) Filed: **Aug. 20, 2009**

(51) **LOC (9) Cl.** ..... **21-02**

(52) **U.S. Cl.** ..... **D21/742**

(58) **Field of Classification Search** ..... D21/735-746,  
D21/759; 473/324-331, 340-341, 251-256  
See application file for complete search history.

(56) **References Cited**

**U.S. PATENT DOCUMENTS**

D472,594 S *	4/2003	Tang et al.	.....	D21/735
D472,595 S *	4/2003	Tang et al.	.....	D21/735
D483,824 S *	12/2003	Tang et al.	.....	D21/738
D485,323 S *	1/2004	Wagner et al.	.....	D21/744
D557,361 S *	12/2007	Rollinson	.....	D21/743

D572,780 S *	7/2008	Rollinson	.....	D21/744
D575,366 S *	8/2008	Rollinson	.....	D21/744
D592,717 S *	5/2009	Rollinson	.....	D21/742
D595,372 S *	6/2009	Rollinson	.....	D21/736
D595,793 S *	7/2009	Rollinson	.....	D21/736
2002/0123393 A1 *	9/2002	Tang et al.	.....	473/340

\* cited by examiner

*Primary Examiner*—Mitchell I Siegel

(74) *Attorney, Agent, or Firm*—Michael A. Catania; Elaine H. Lo

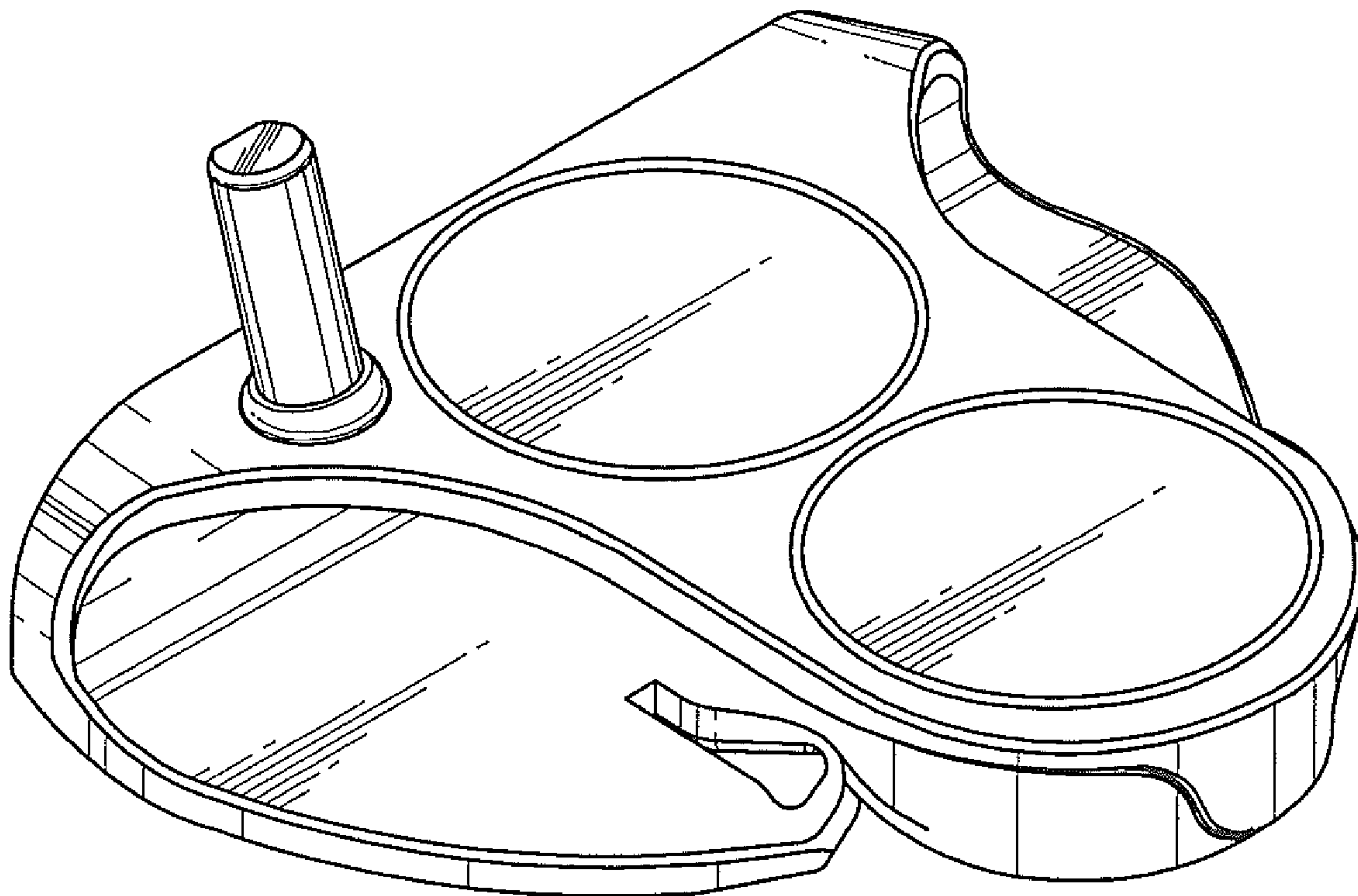
(57) **CLAIM**

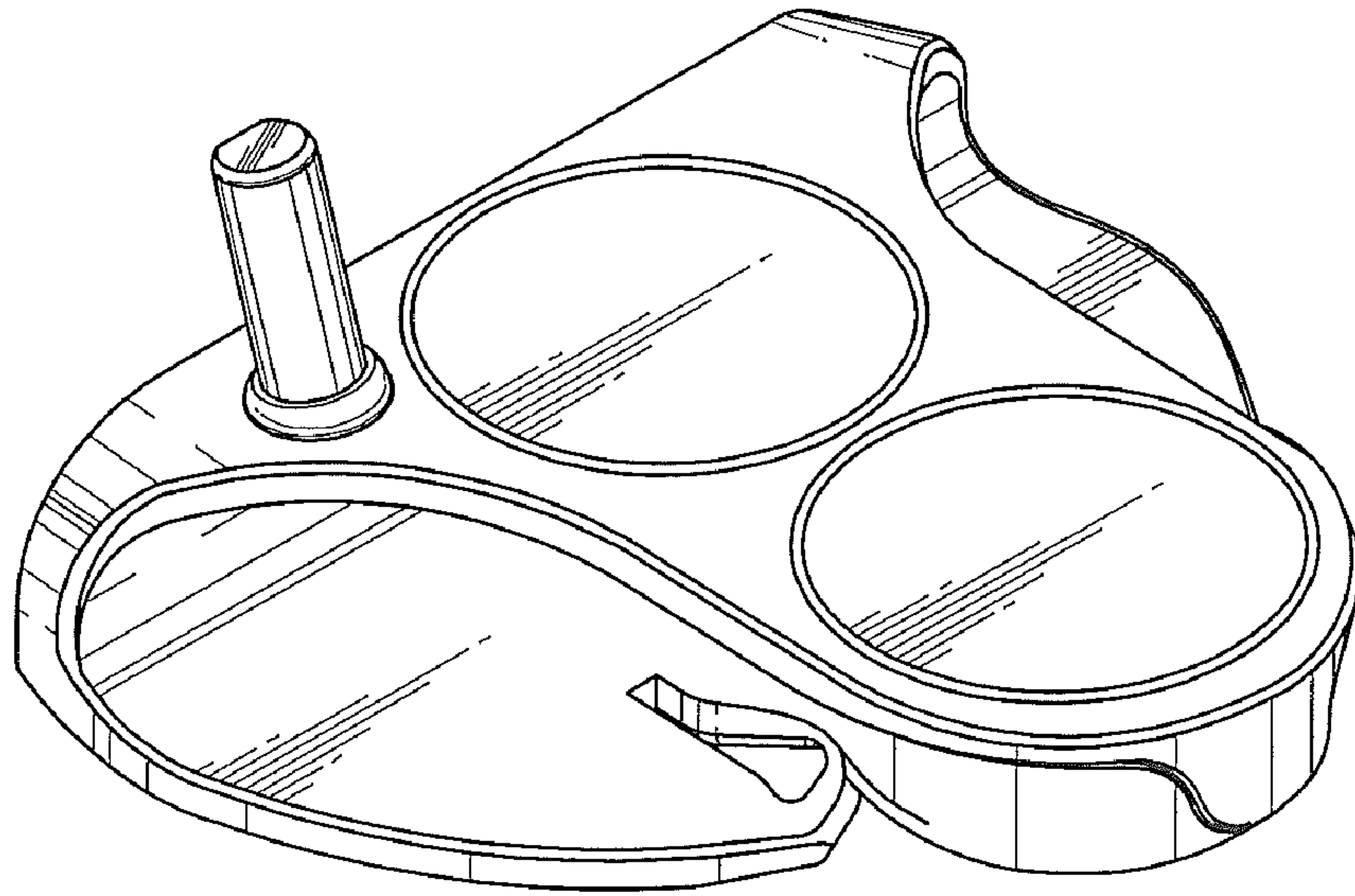
The ornamental design for a putter head, as shown and described.

**DESCRIPTION**

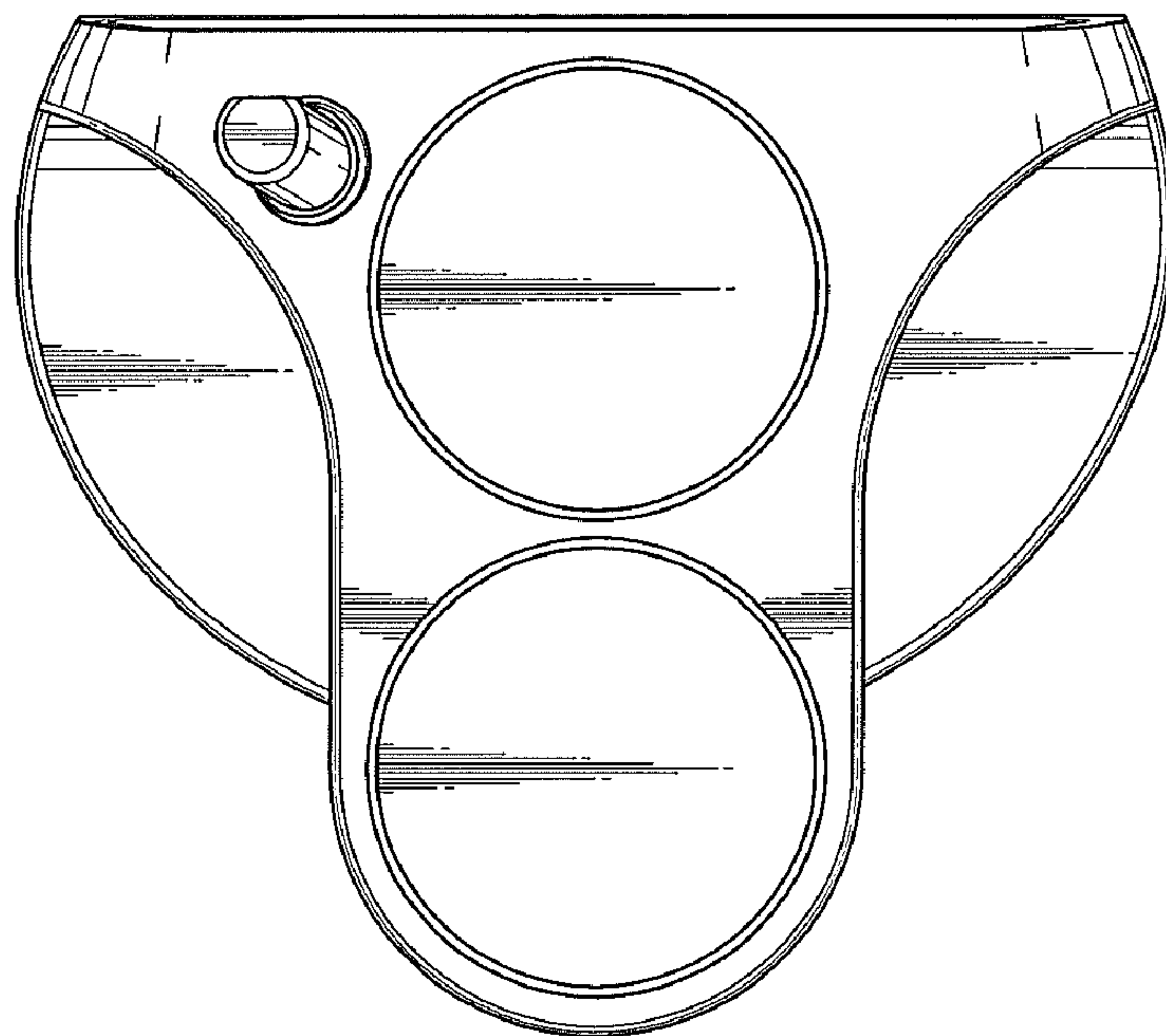
FIG. 1 is a top perspective view of a putter head;  
FIG. 2 is a front elevational view thereof;  
FIG. 3 is a bottom plan view thereof;  
FIG. 4 is a top plan view thereof;  
FIG. 5 is a rear elevational view thereof;  
FIG. 6 is a toe end view thereof; and,  
FIG. 7 is a heel end view thereof.

**1 Claim, 3 Drawing Sheets**

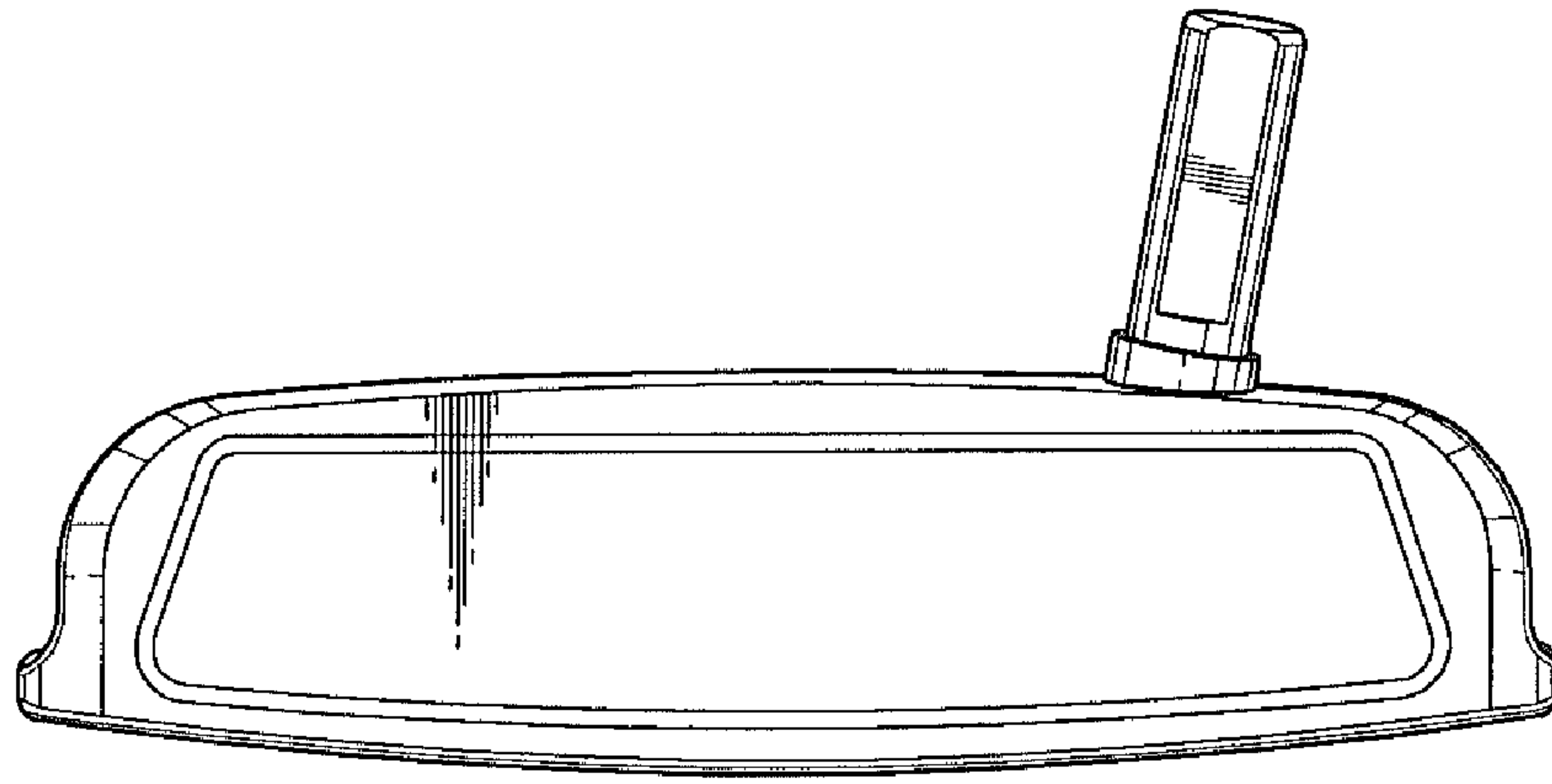




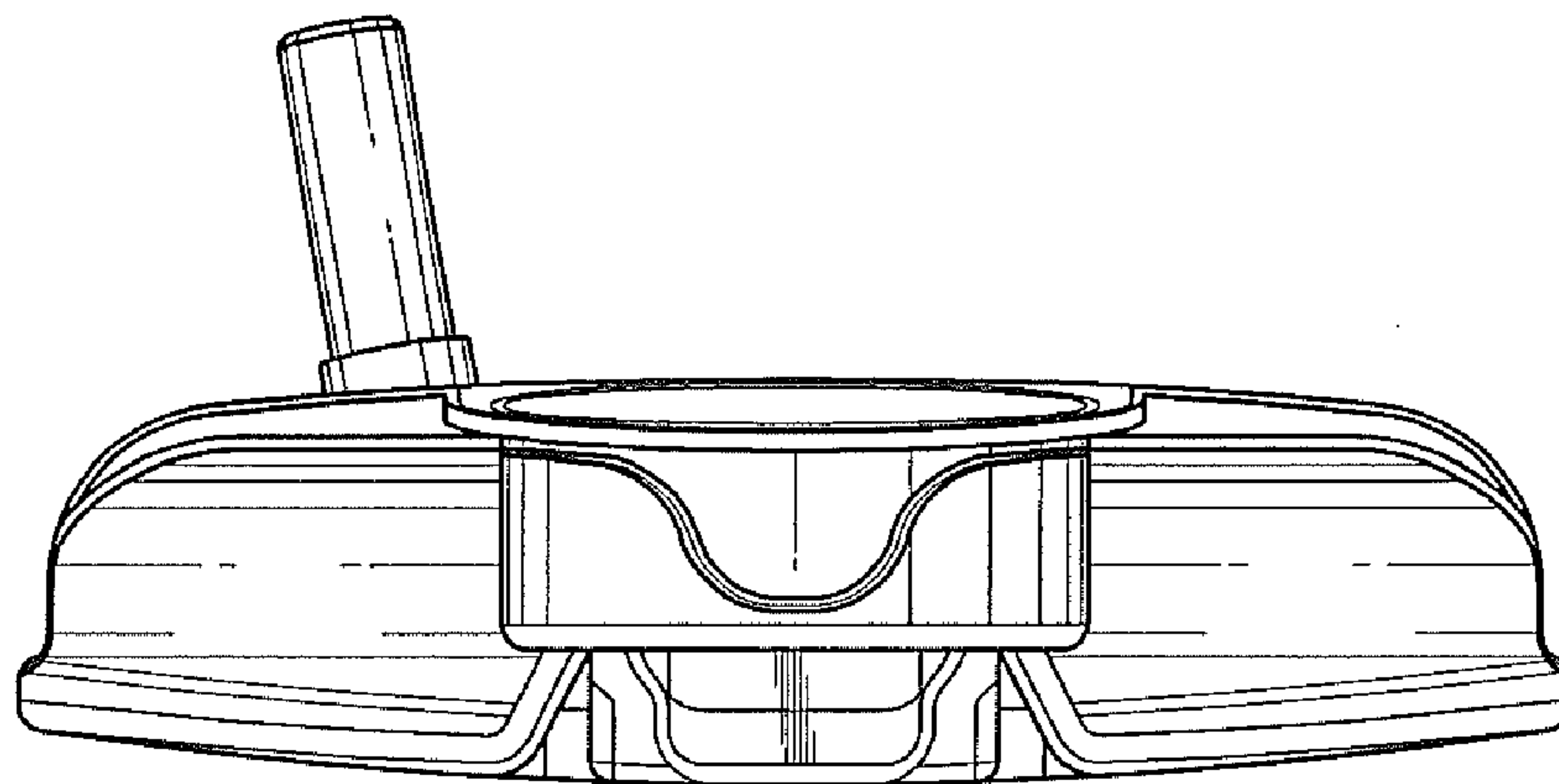
*FIG. 1*



*FIG. 2*



*FIG. 3*



*FIG. 4*

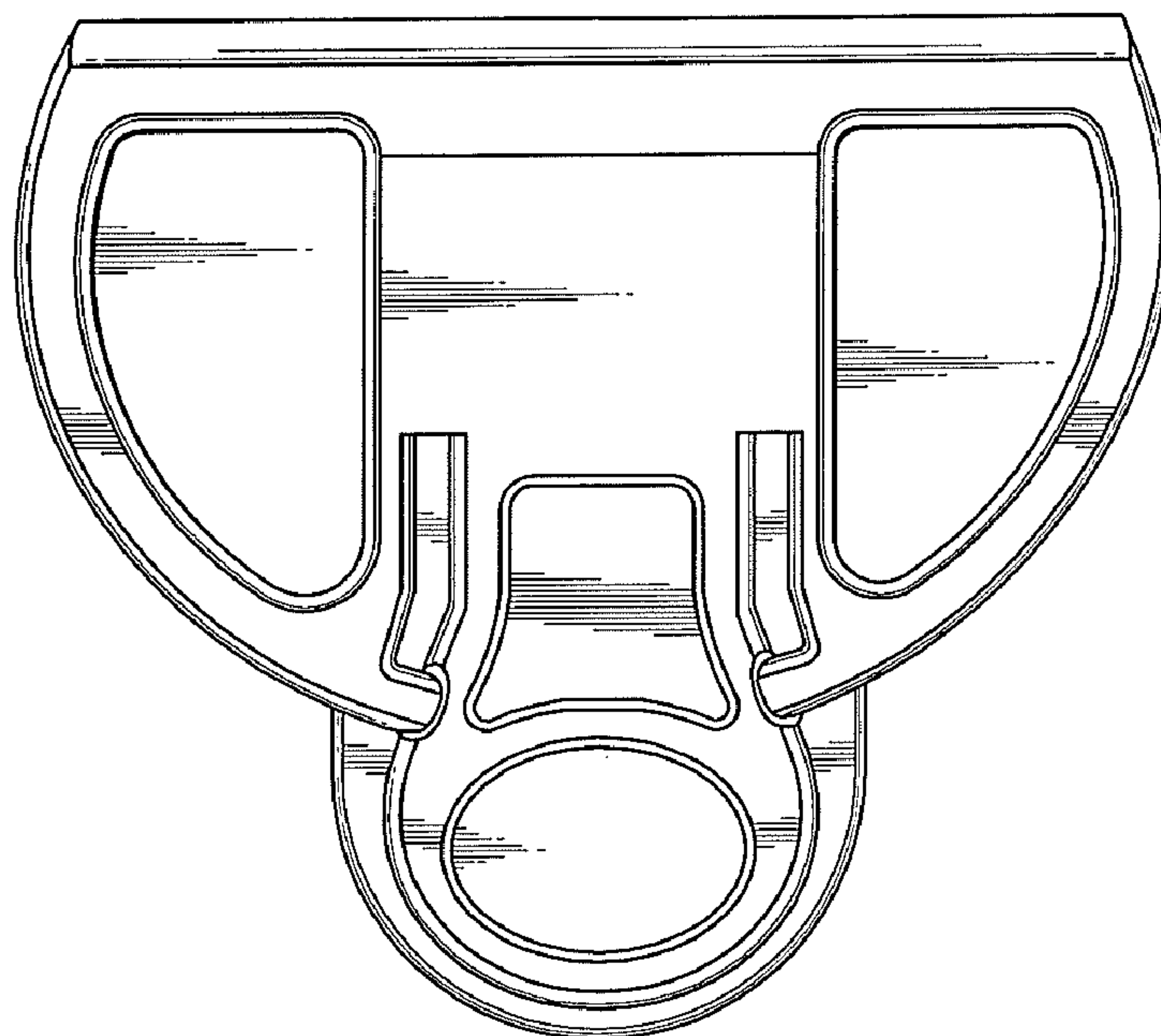


FIG. 5

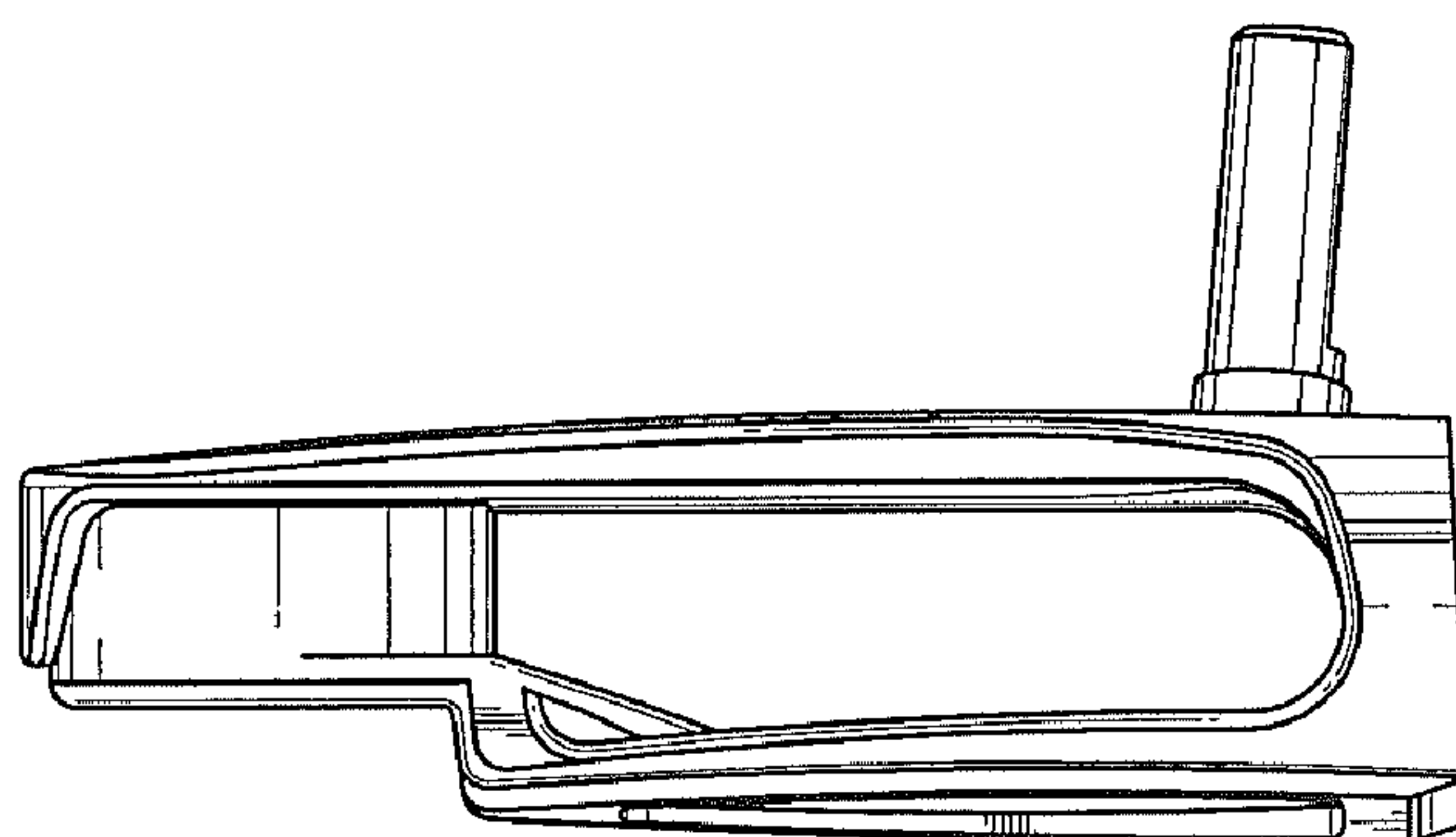


FIG. 6

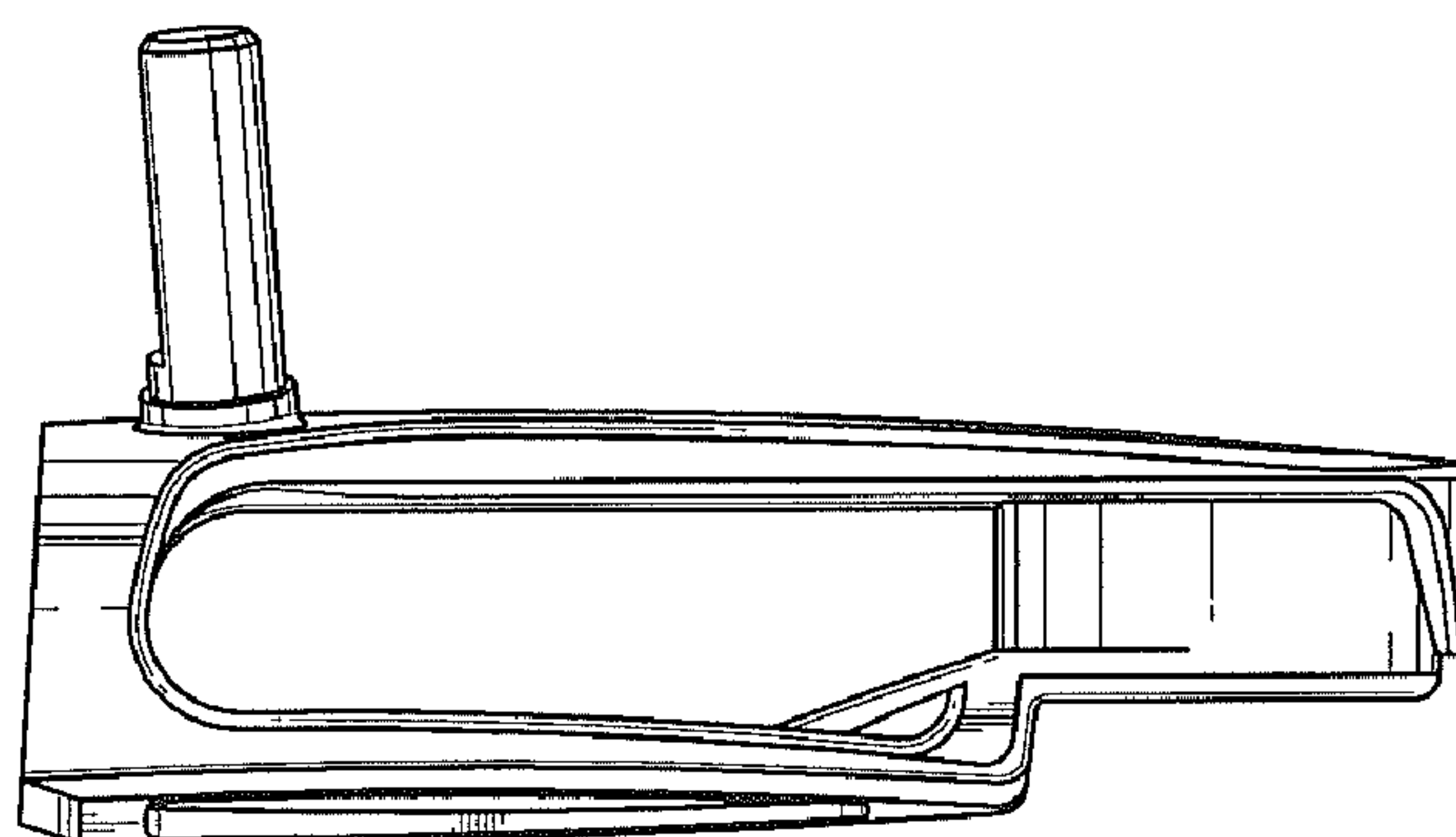


FIG. 7