



US00D619664S

(12) **United States Design Patent**  
**Loiars et al.**

(10) **Patent No.:** **US D619,664 S**

(45) **Date of Patent:** **\*\* Jul. 13, 2010**

(54) **BAT**

(75) Inventors: **John Loiars**, Franklin, MA (US);  
**Mauro Pezzato**, Treviso (IT); **Stephen Davis**, Newton, PA (US)

(73) Assignee: **Reebok International Ltd.**, Canton, MA (US)

(\*\*) Term: **14 Years**

(21) Appl. No.: **29/350,979**

(22) Filed: **Nov. 25, 2009**

**Related U.S. Application Data**

(62) Division of application No. 29/329,356, filed on Dec. 12, 2008, now Pat. No. Des. 606,138.

(51) **LOC (9) Cl.** ..... **21-02**

(52) **U.S. Cl.** ..... **D21/725**

(58) **Field of Classification Search** ..... D21/725,  
D21/753; 473/513, 561-568  
See application file for complete search history.

(56) **References Cited**

**U.S. PATENT DOCUMENTS**

|           |   |   |         |                |       |         |
|-----------|---|---|---------|----------------|-------|---------|
| D237,636  | S | * | 11/1975 | Leclerc        | ..... | D21/727 |
| 4,086,115 | A | * | 4/1978  | Sweet et al.   | ..... | 473/561 |
| D344,559  | S | * | 2/1994  | Ilacqua et al. | ..... | D21/727 |
| D360,443  | S | * | 7/1995  | Berghash       | ..... | D21/727 |
| D399,544  | S | * | 10/1998 | Liu            | ..... | D21/727 |
| 5,863,268 | A | * | 1/1999  | Birch          | ..... | 473/563 |
| D418,182  | S | * | 12/1999 | Krist          | ..... | D21/727 |

|              |    |   |         |                 |       |         |
|--------------|----|---|---------|-----------------|-------|---------|
| 7,201,682    | B2 | * | 4/2007  | Tucker et al.   | ..... | 473/563 |
| D555,035     | S  | * | 11/2007 | O'Neal          | ..... | D11/157 |
| D558,844     | S  | * | 1/2008  | Jeanneau et al. | ..... | D21/727 |
| D579,997     | S  | * | 11/2008 | Jeanneau et al. | ..... | D21/753 |
| 7,575,527    | B2 |   | 8/2009  | Davis et al.    |       |         |
| D606,138     | S  | * | 12/2009 | Loiars et al.   | ..... | D21/725 |
| 2005/0153798 | A1 | * | 7/2005  | Rigoli          | ..... | 473/513 |
| 2007/0270253 | A1 | * | 11/2007 | Davis et al.    | ..... | 473/513 |
| 2007/0275800 | A1 | * | 11/2007 | Davis et al.    | ..... | 473/561 |
| 2008/0051230 | A1 | * | 2/2008  | Davis           | ..... | 473/564 |
| 2008/0070725 | A1 | * | 3/2008  | Davis           | ..... | 473/564 |

\* cited by examiner

*Primary Examiner*—Mitchell I Siegel

(74) *Attorney, Agent, or Firm*—Sterne, Kessler, Goldstein & Fox, P.L.L.C.

(57) **CLAIM**

The ornamental design for a bat, as shown and described.

**DESCRIPTION**

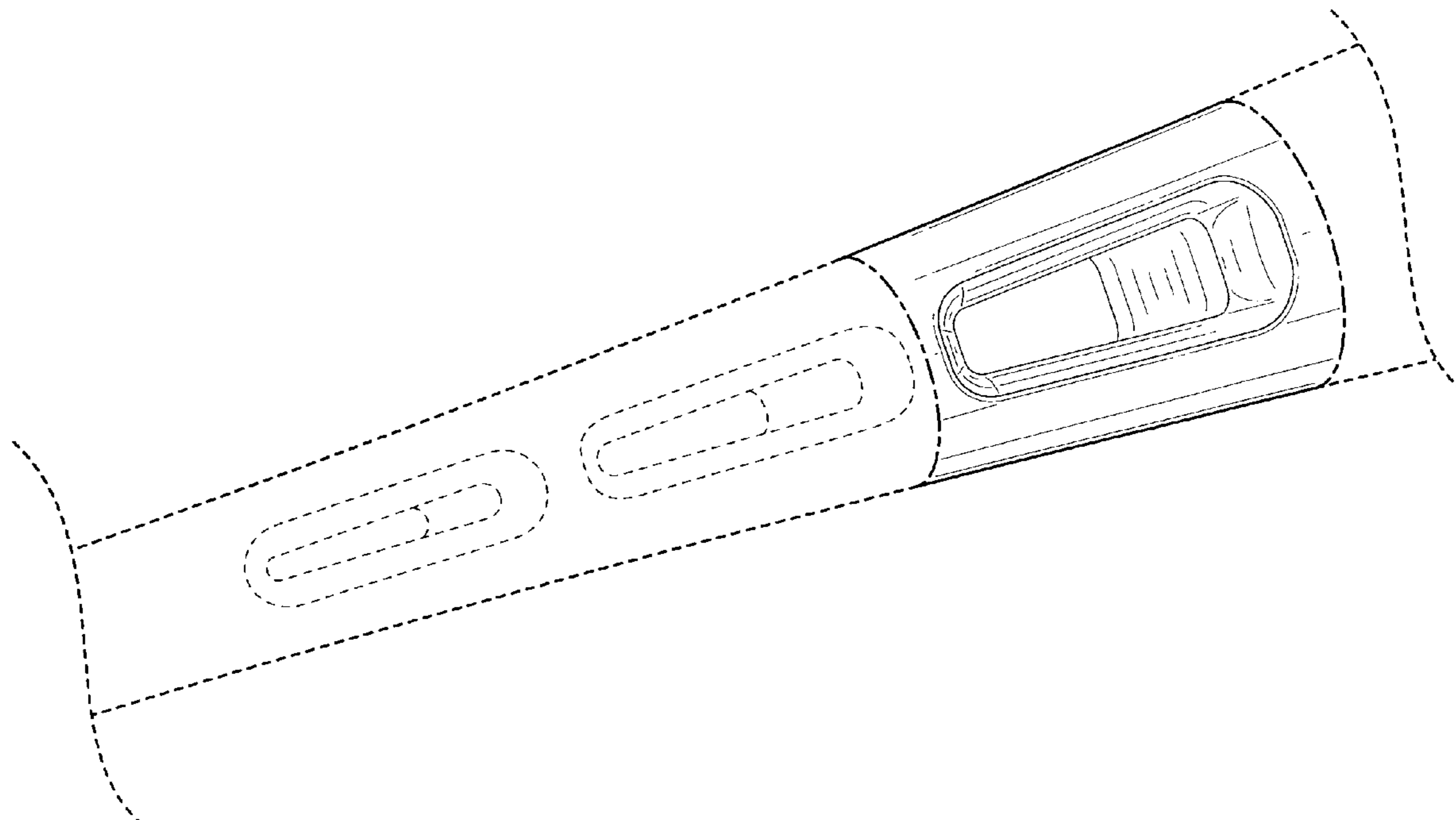
FIG. 1 is a perspective view of a portion of a bat showing our new design;

FIG. 2 is a front view thereof, the rear view being a mirror image thereof; and,

FIG. 3 is a side view thereof, the opposite side view being a mirror image thereof.

The area within the solid and dash-dot dash lines forms the claimed design. The area within the broken lines is environmental and form no part of the claimed invention.

**1 Claim, 3 Drawing Sheets**



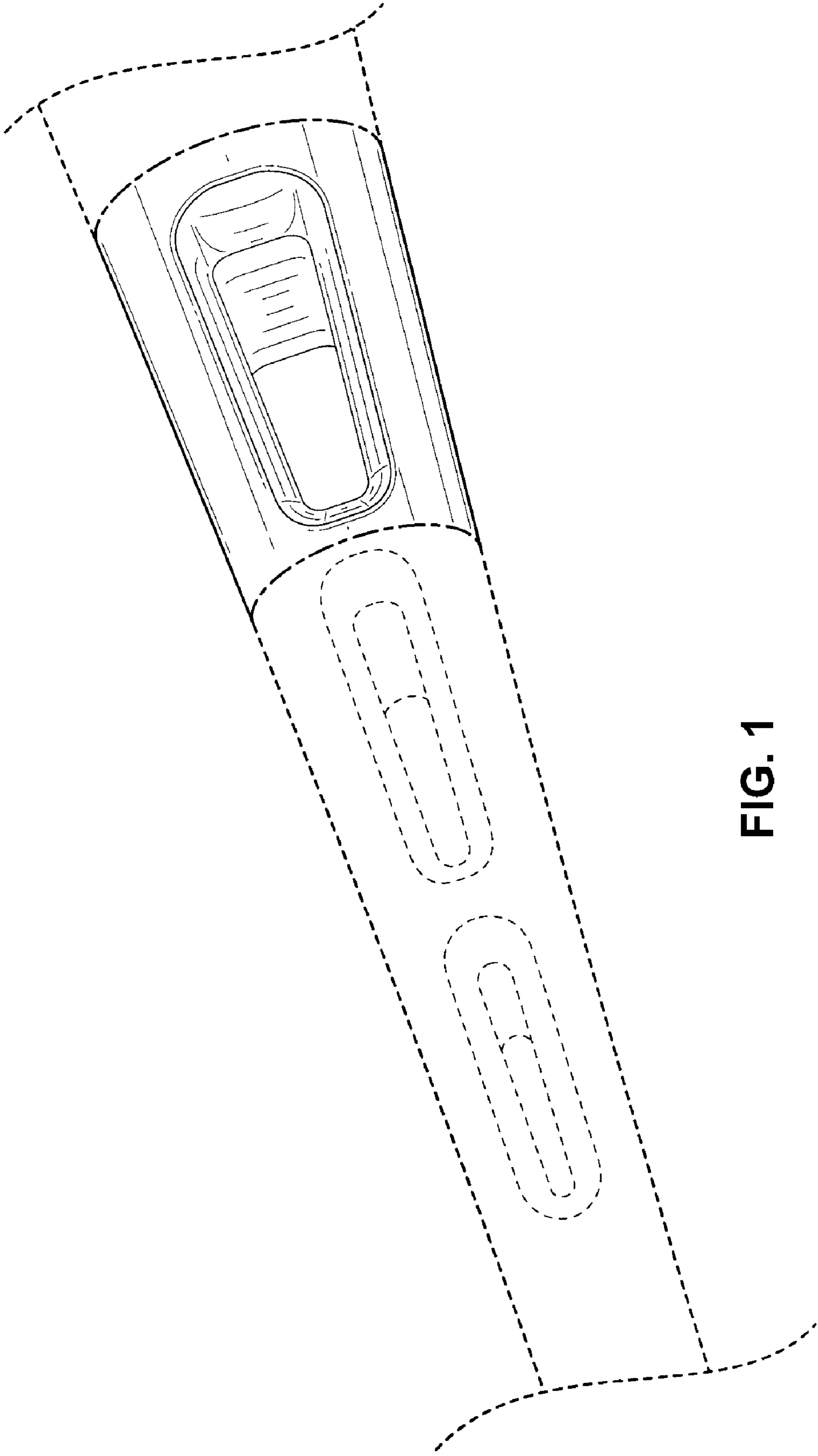


FIG. 1

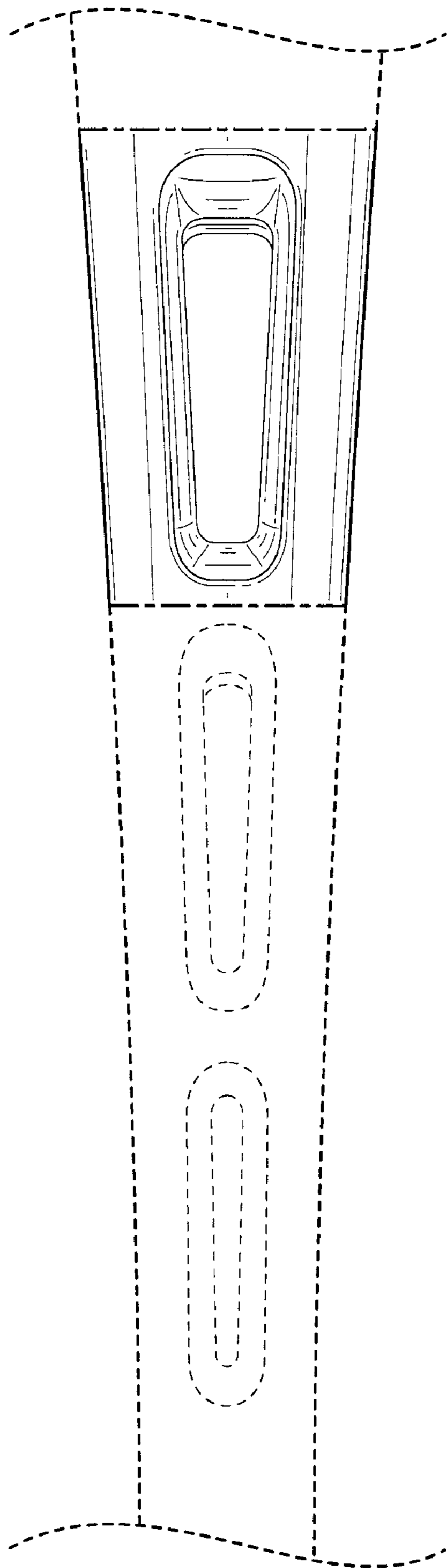


FIG. 2

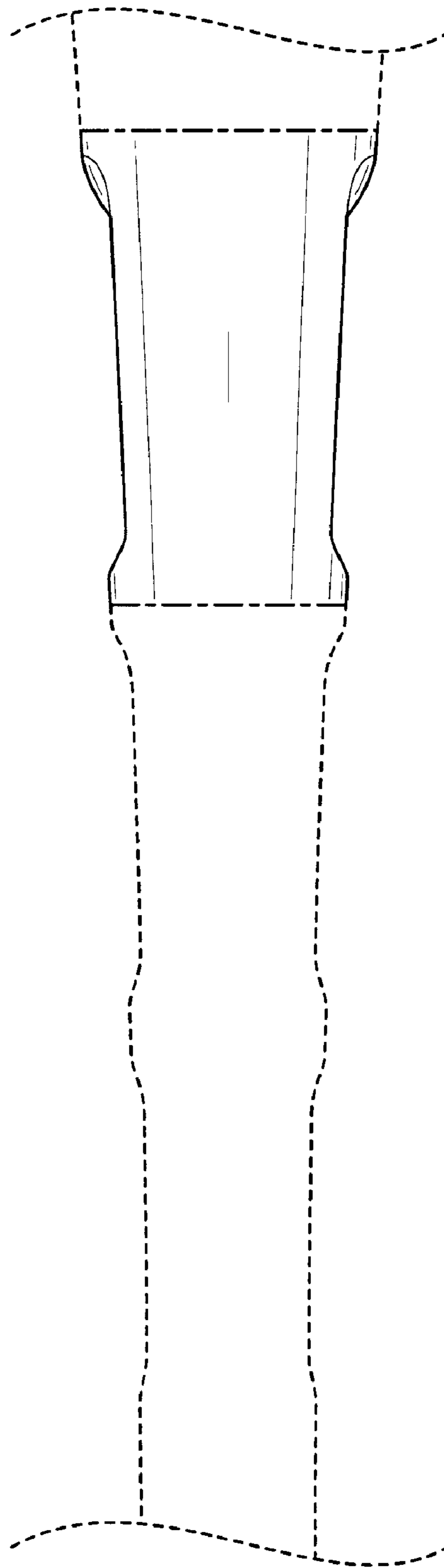


FIG. 3