



US00D619661S

(12) **United States Design Patent**  
**Kossmann**

(10) **Patent No.:** **US D619,661 S**  
(45) **Date of Patent:** **\*\* Jul. 13, 2010**

(54) **CONSTRUCTION SET ELEMENT**

D552,190 S \* 10/2007 Glickman et al. .... D21/505  
D556,271 S \* 11/2007 Glickman et al. .... D21/505

(75) Inventor: **Markus Kossmann**, Kolding (DK)

\* cited by examiner

(73) Assignee: **Lego A/S**, Billund (DK)

*Primary Examiner*—Cynthia M Chin

(\*\*) Term: **14 Years**

(74) *Attorney, Agent, or Firm*—Day Pitney LLP

(21) Appl. No.: **29/315,653**

(57) **CLAIM**

(22) Filed: **Jul. 14, 2009**

The ornamental design for a construction set element, as shown and described.

(30) **Foreign Application Priority Data**

Jan. 27, 2009 (EM) ..... 001076178

**DESCRIPTION**

(51) **LOC (9) Cl.** ..... **21-01**

FIG. 1 is a top perspective view of the construction set element of the present design;

(52) **U.S. Cl.** ..... **D21/489**

FIG. 2 is a bottom perspective view thereof;

(58) **Field of Classification Search** ..... D21/484,

FIG. 3 is a front view thereof;

D21/485, 486, 489, 491, 492, 493, 494, 495,

FIG. 4 is a rear view thereof;

D21/499, 500–504; 446/69, 85, 102–128;

FIG. 5 is a top plan view thereof;

434/208, 259, 403; 273/153, 156, 160; 428/174

FIG. 6 is a bottom plan view thereof;

See application file for complete search history.

FIG. 7 is a right side view thereof; and,

(56) **References Cited**

FIG. 8 is a left side view thereof.

**U.S. PATENT DOCUMENTS**

The broken lines immediately adjacent the shaded areas represent the bounds of the claim and all other broken lines represent unclaimed portions of the design. None of the broken lines form a part of the claimed design.

D354,108 S \* 1/1995 Houry et al. .... D21/814

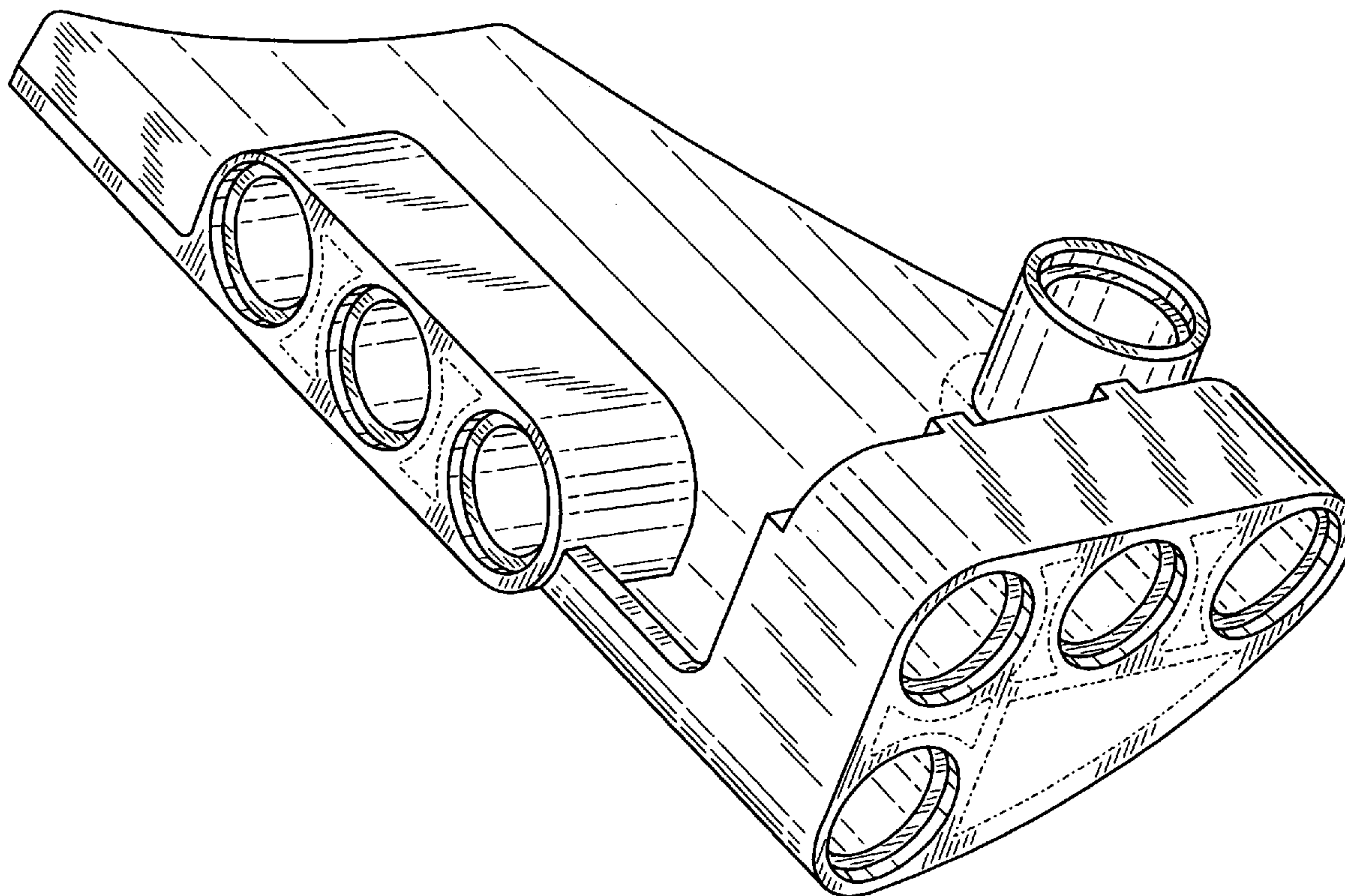
D380,787 S \* 7/1997 Gabriel ..... D21/489

D380,790 S \* 7/1997 Gabriel ..... D21/489

6,200,187 B1 \* 3/2001 Olsen et al. .... 446/122

D547,394 S \* 7/2007 Toft ..... D21/484

**1 Claim, 8 Drawing Sheets**



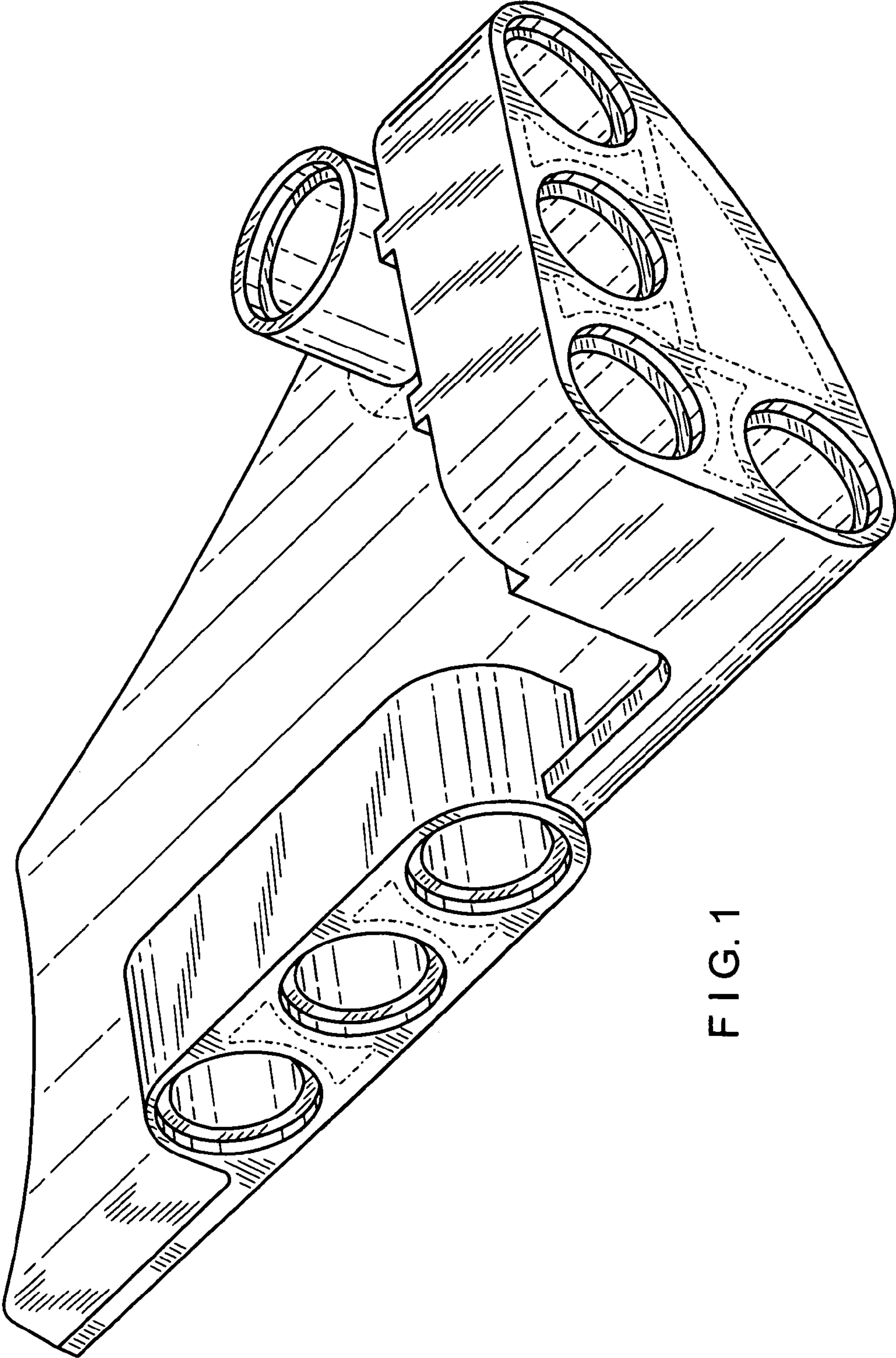


FIG. 1

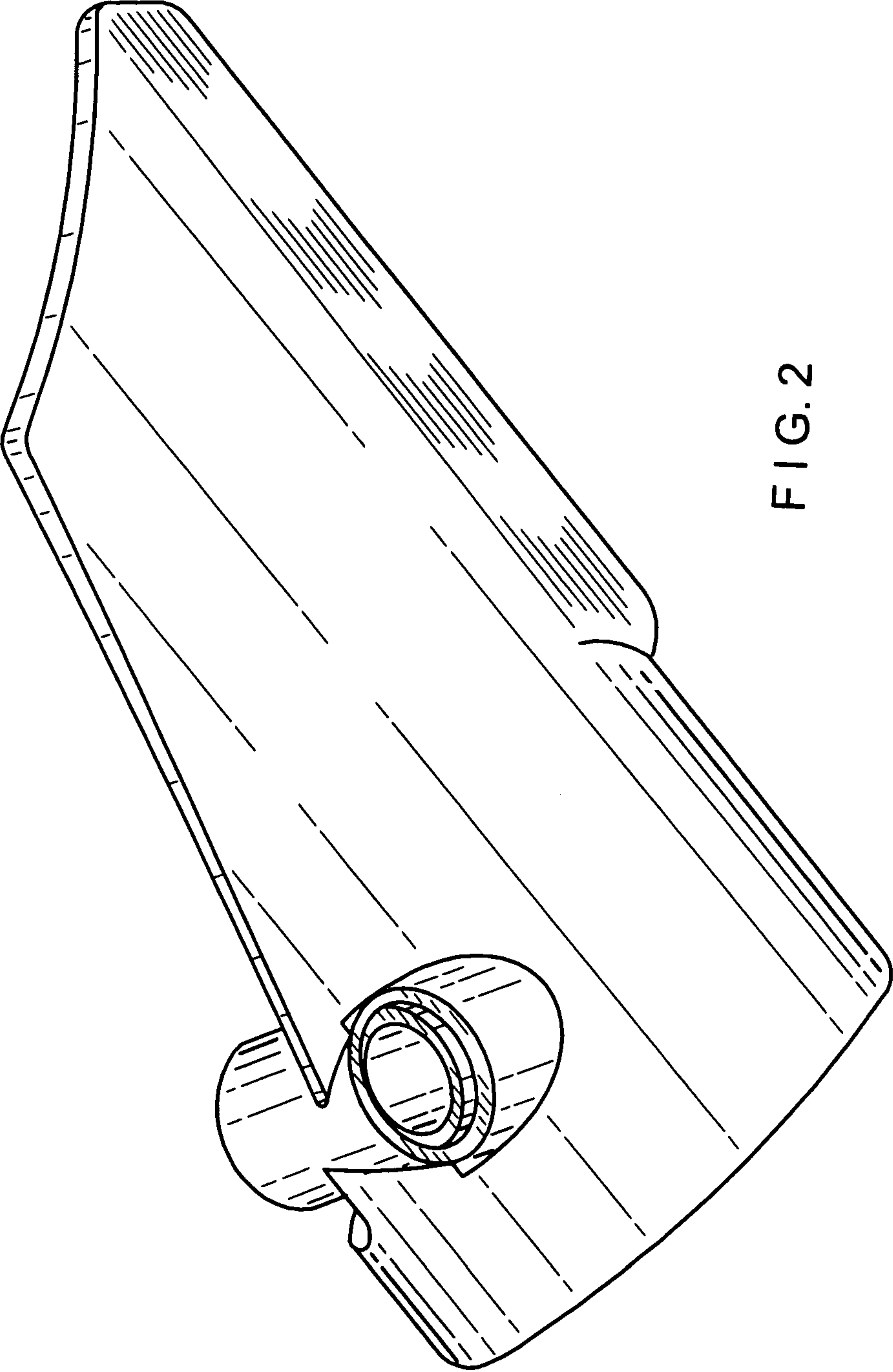


FIG. 2



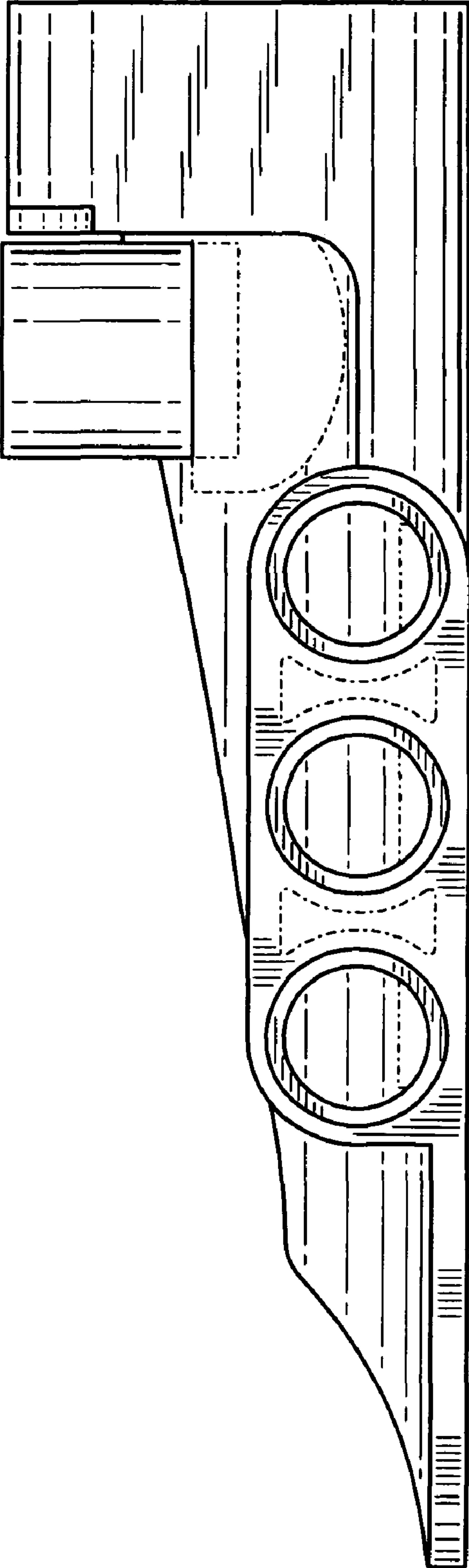


FIG. 3



FIG. 4

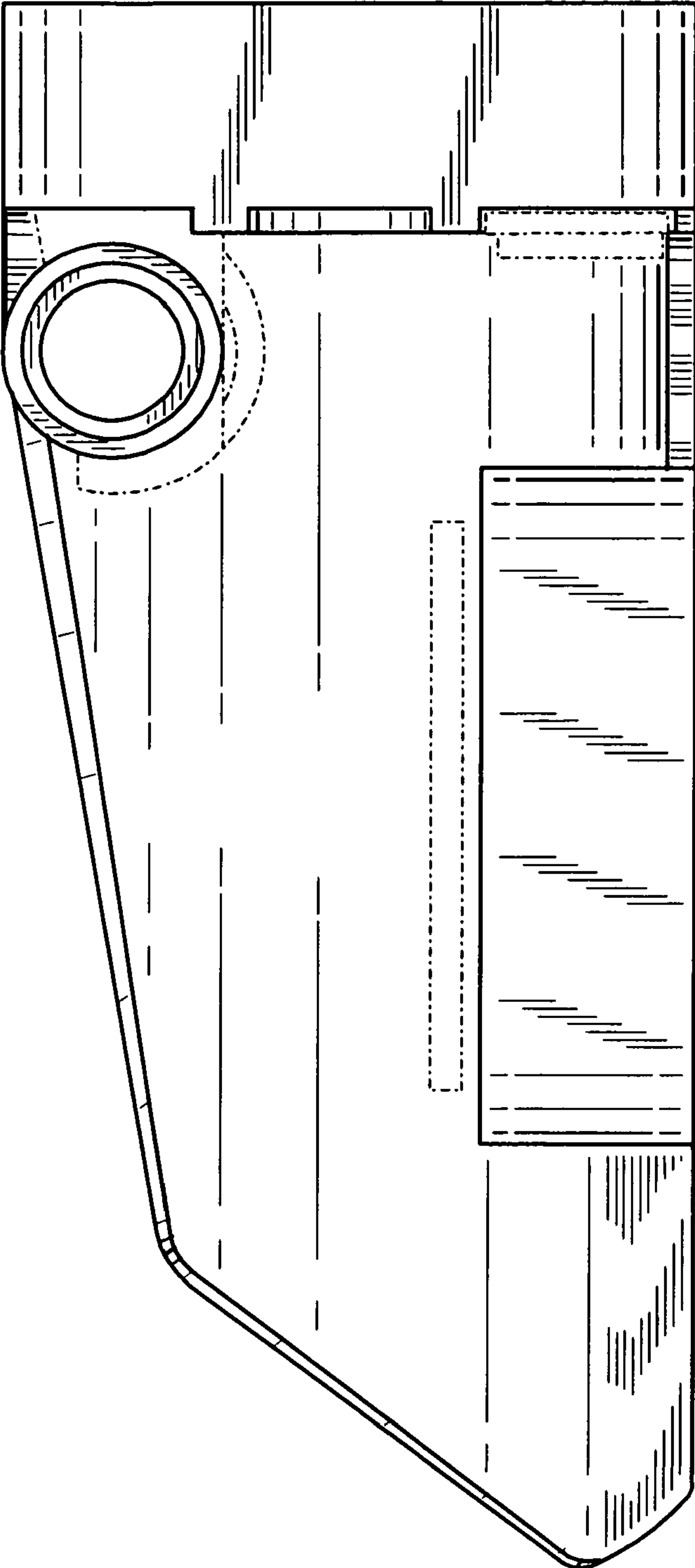


FIG. 5

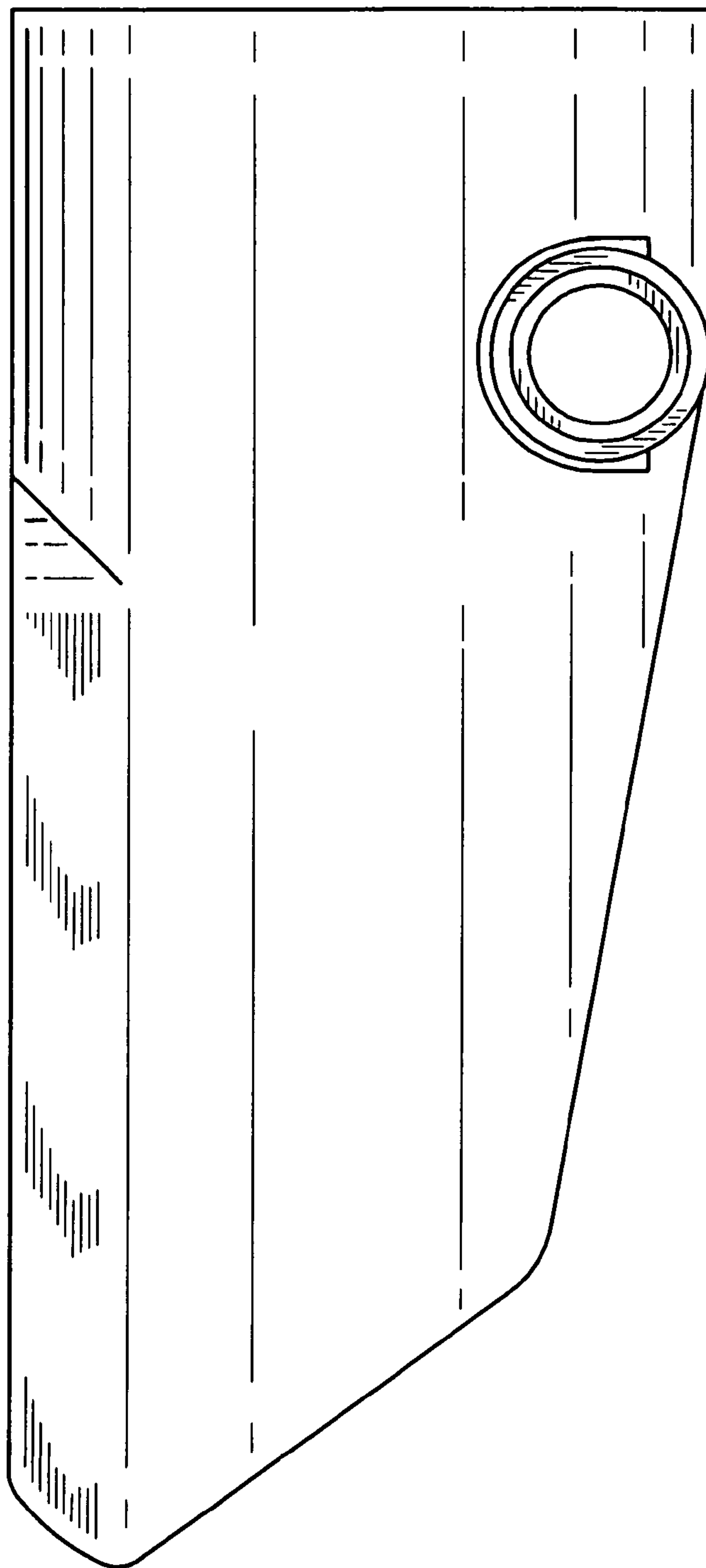


FIG. 6

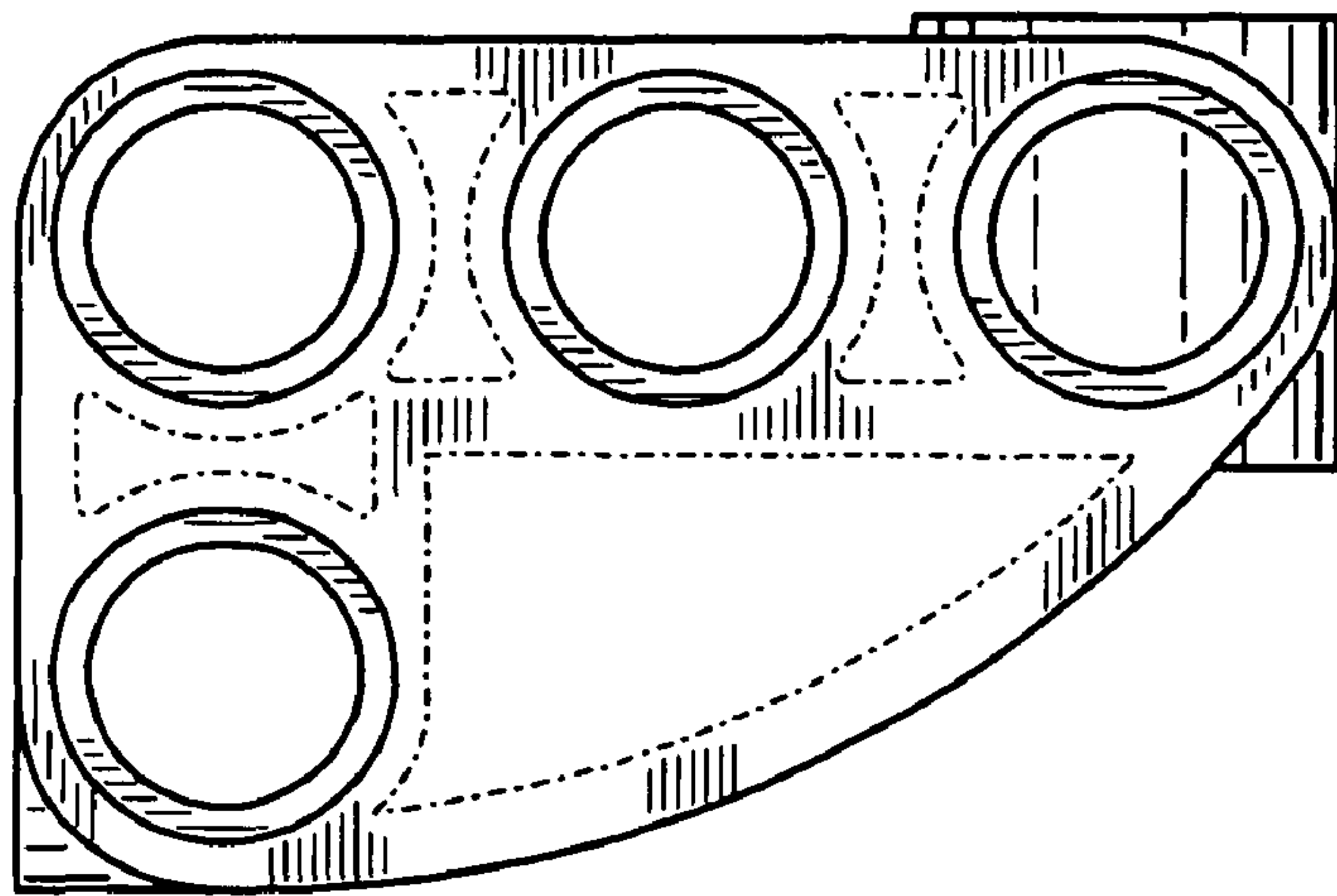


FIG. 7



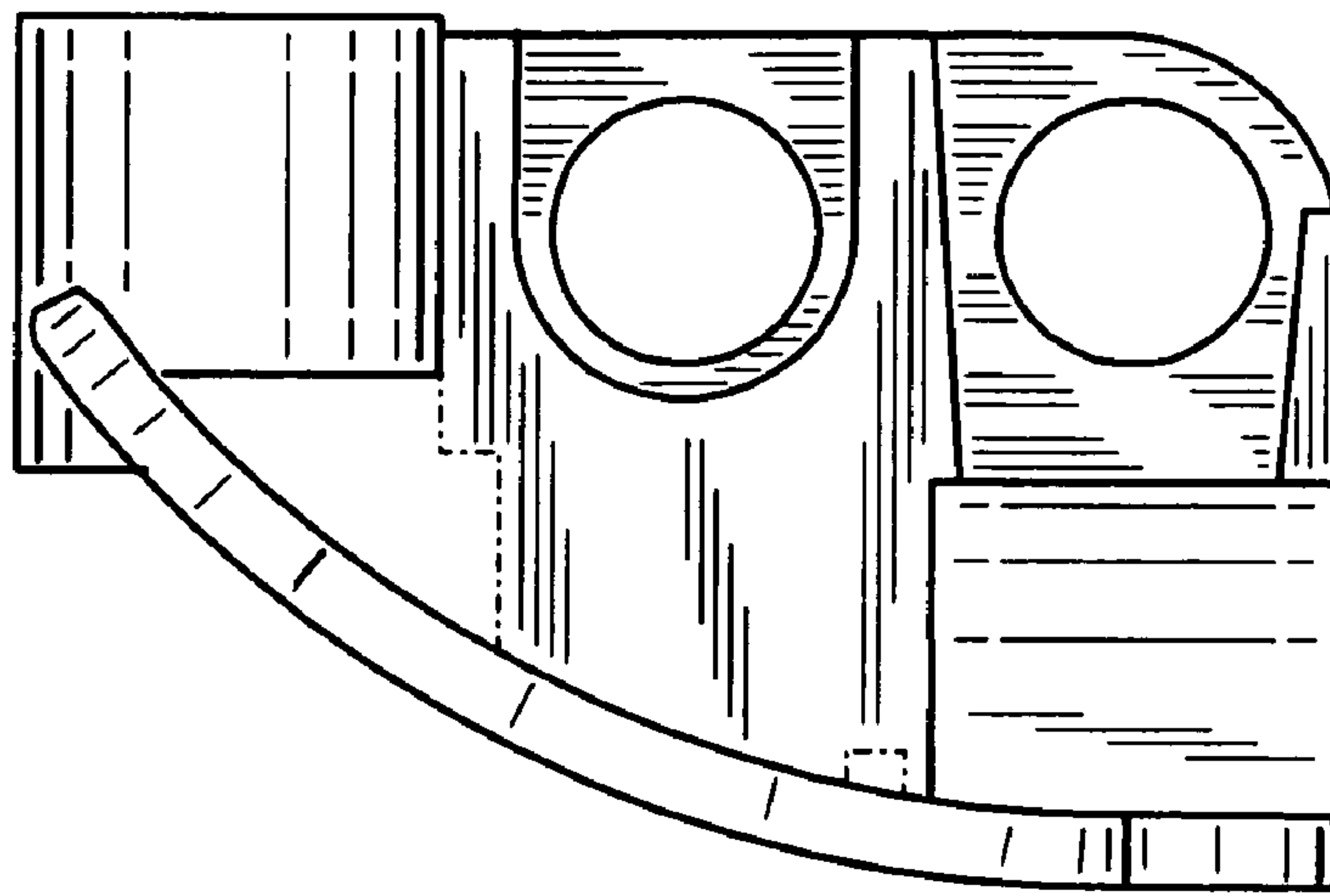


FIG. 8