



US00D619660S

(12) **United States Design Patent**
Cole et al.

(10) **Patent No.:** **US D619,660 S**
(45) **Date of Patent:** **** Jul. 13, 2010**

(54) **GAMING MACHINE**

(76) Inventors: **Joseph W. Cole**, 1463 Rozella Way,
Gallatin, TN (US) 37066; **Edward H. Comfort**, 3516 Barrel Bronco Ct., North
Las Vegas, NV (US) 89032

(**) Term: **14 Years**

(21) Appl. No.: **29/314,169**

(22) Filed: **Mar. 9, 2009**

(51) **LOC (9) Cl.** **21-03**

(52) **U.S. Cl.** **D21/370**

(58) **Field of Classification Search** D21/324–325,
D21/327, 329, 369–370, 385; 273/143 R,
273/309; 463/16–17, 46–47

See application file for complete search history.

(56) **References Cited**

U.S. PATENT DOCUMENTS

D275,117 S *	8/1984	Heywood	D21/370
D307,771 S	5/1990	Cesaroni et al.		
5,108,099 A *	4/1992	Smyth	273/143 R
D333,164 S	2/1993	Kraft et al.		
D373,809 S	9/1996	Hirato		
D381,697 S	7/1997	Brettschneider		
D381,700 S *	7/1997	Brettschneider	D21/370
D413,635 S	9/1999	Taylor		
D428,062 S	7/2000	Hayashi		
6,135,884 A	10/2000	Hedrick et al.		
D439,931 S	4/2001	Yamaguchi		
D446,252 S	8/2001	Yamaguchi		
6,334,612 B1	1/2002	Wurz et al.		
D489,417 S	5/2004	Munoz et al.		
D495,755 S	9/2004	Wurz et al.		
D498,267 S	11/2004	Crouch		
D508,961 S *	8/2005	Gatto et al.	D21/369
D513,044 S	12/2005	Morrison		
D525,664 S	7/2006	Cole		

D535,338 S *	1/2007	Linard et al.	D21/369
D573,200 S *	7/2008	Hashimoto et al.	D21/370
D592,709 S *	5/2009	McComb et al.	D21/370
2004/0224776 A1	11/2004	Nagano		
2006/0073900 A1	4/2006	Cole		
2007/0197301 A1	8/2007	Cole		
2007/0225079 A1	9/2007	Cole		
2008/0113794 A1	5/2008	Cole		
2009/0011839 A1	1/2009	Cole		

* cited by examiner

Primary Examiner—Sandra Morris

(74) *Attorney, Agent, or Firm*—Weide & Miller, Ltd.

(57) **CLAIM**

The ornamental design for a gaming machine, as shown and described.

DESCRIPTION

FIG. 1 is a front isometric view of a gaming machine in accordance with the present invention;

FIG. 2 is a plan view of a top of the gaming machine illustrated in FIG. 1;

FIG. 3 is a plan view of a first side of the gaming machine illustrated in FIG. 1;

FIG. 4 is a plan view of a front of the gaming machine illustrated in FIG. 1;

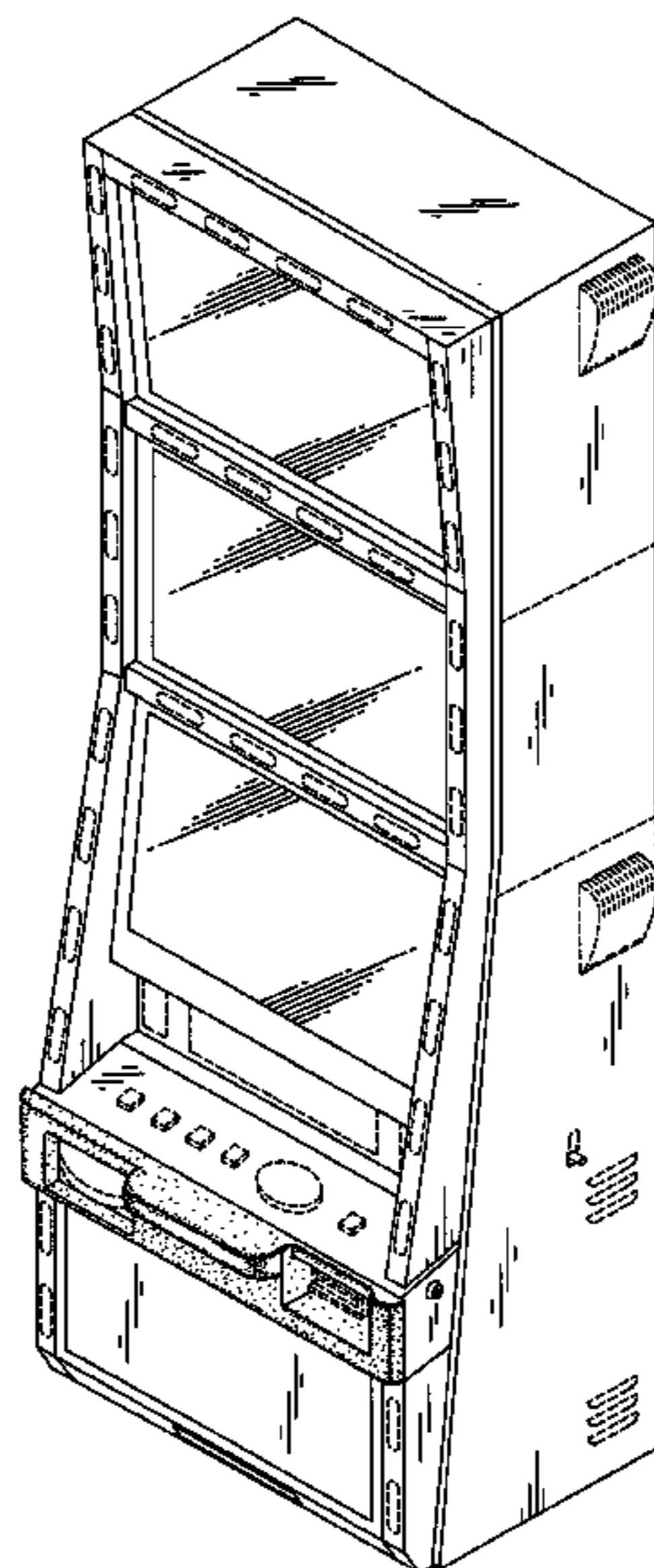
FIG. 5 is a plan view of an opposing second side of the gaming machine illustrated in FIG. 1;

FIG. 6 is a plan view of a back of the gaming machine illustrated in FIG. 1; and,

FIG. 7 is a plan view of a bottom of the gaming machine illustrated in FIG. 1.

The portions of the design show in dotted line are for reference only and form no portion of the claimed design.

1 Claim, 3 Drawing Sheets



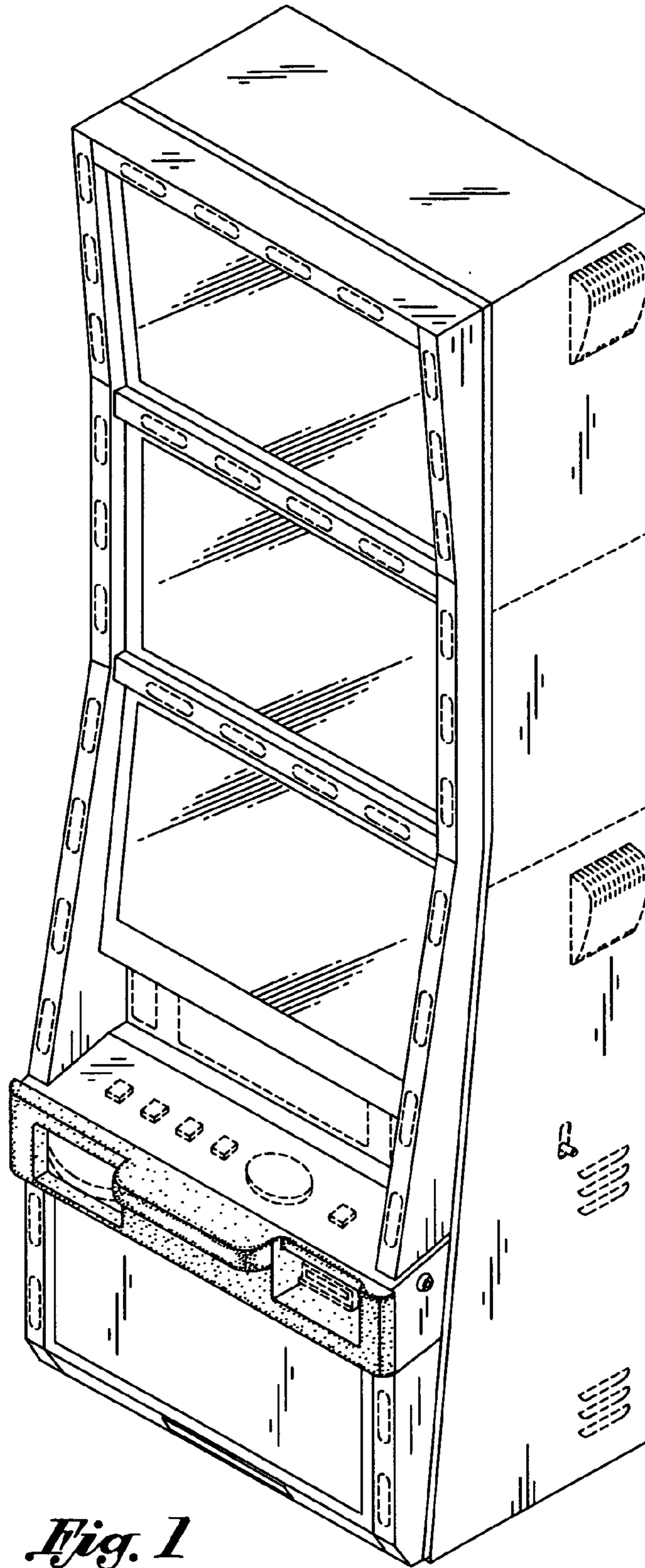


Fig. 1

Fig. 2

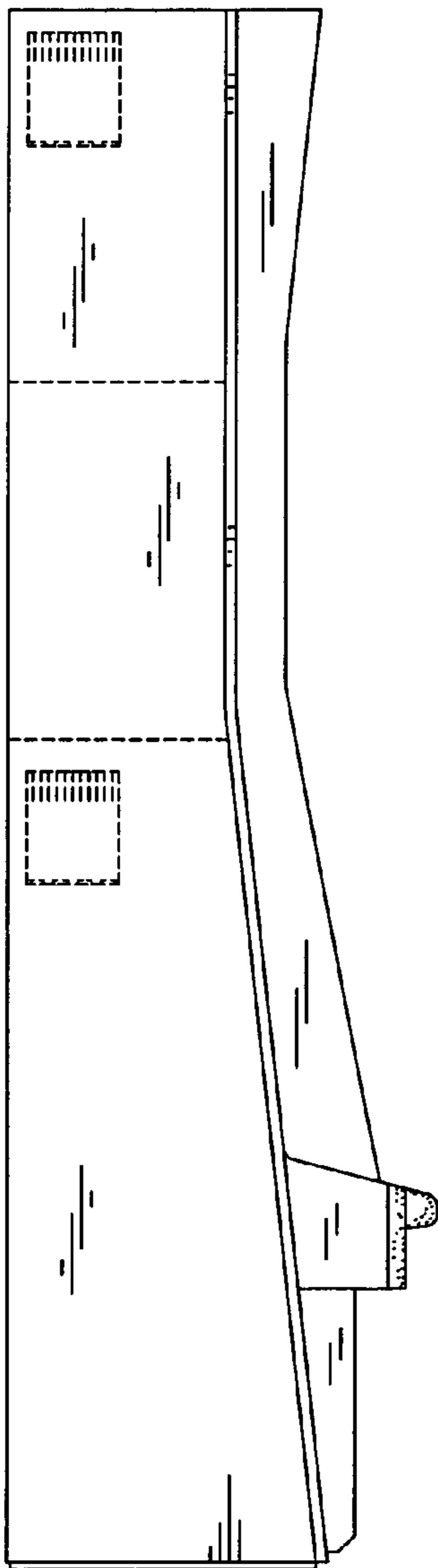
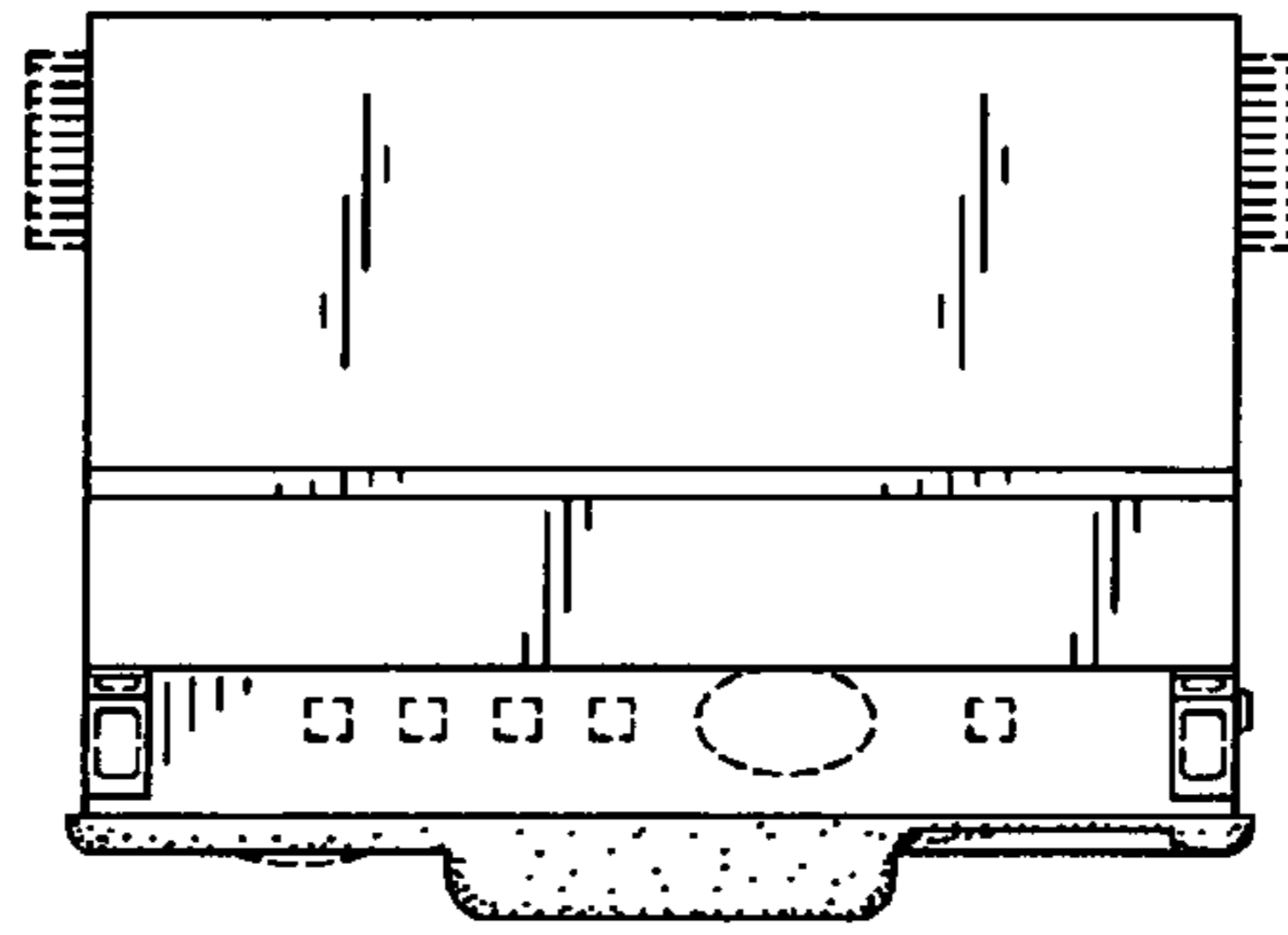


Fig. 3

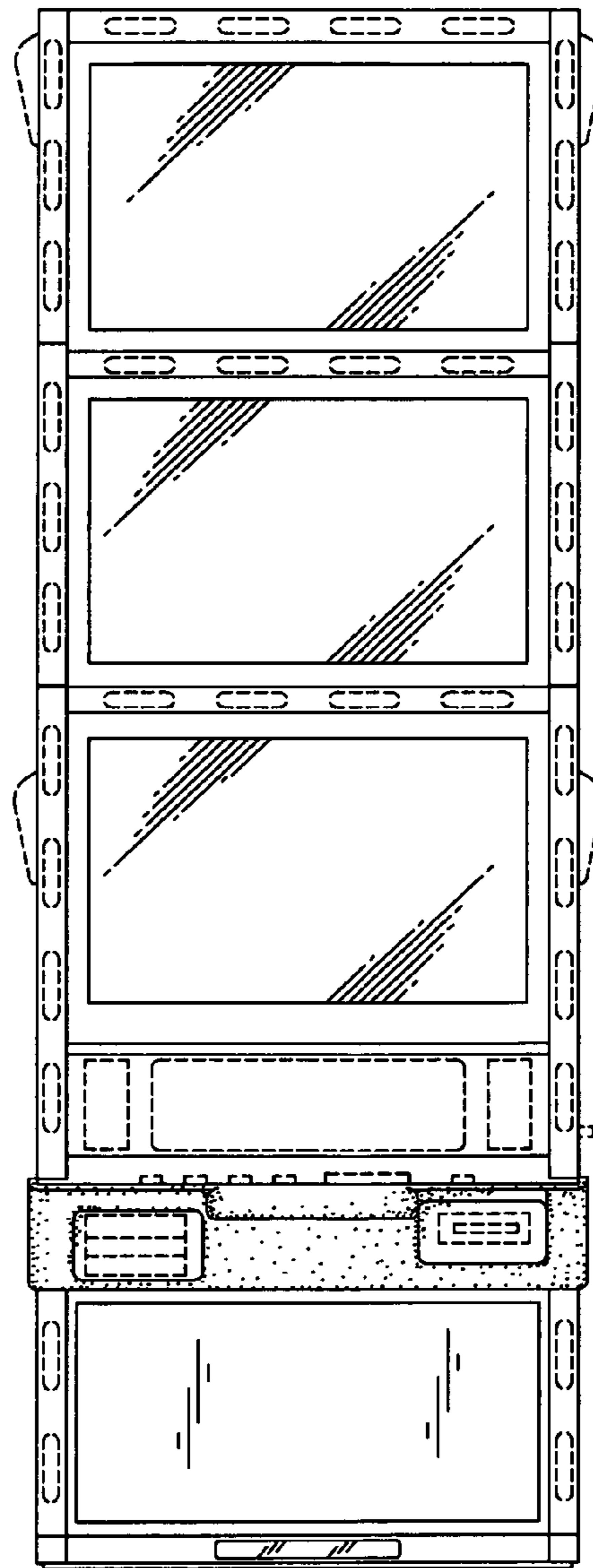


Fig. 4

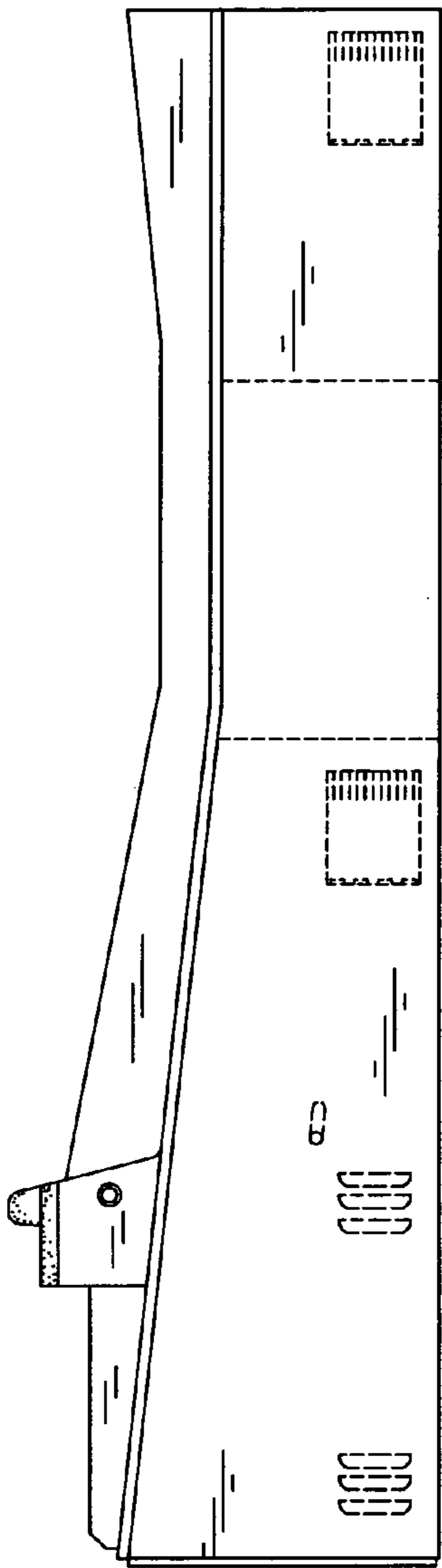


Fig. 5

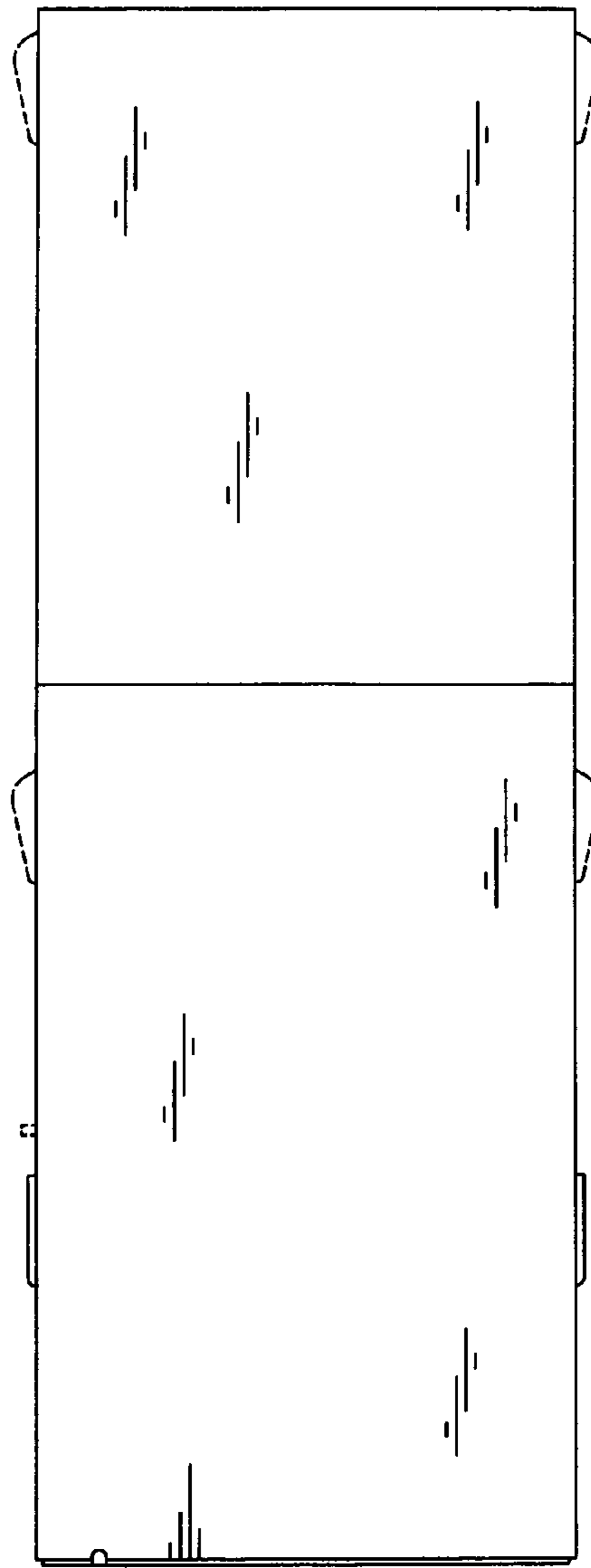


Fig. 6

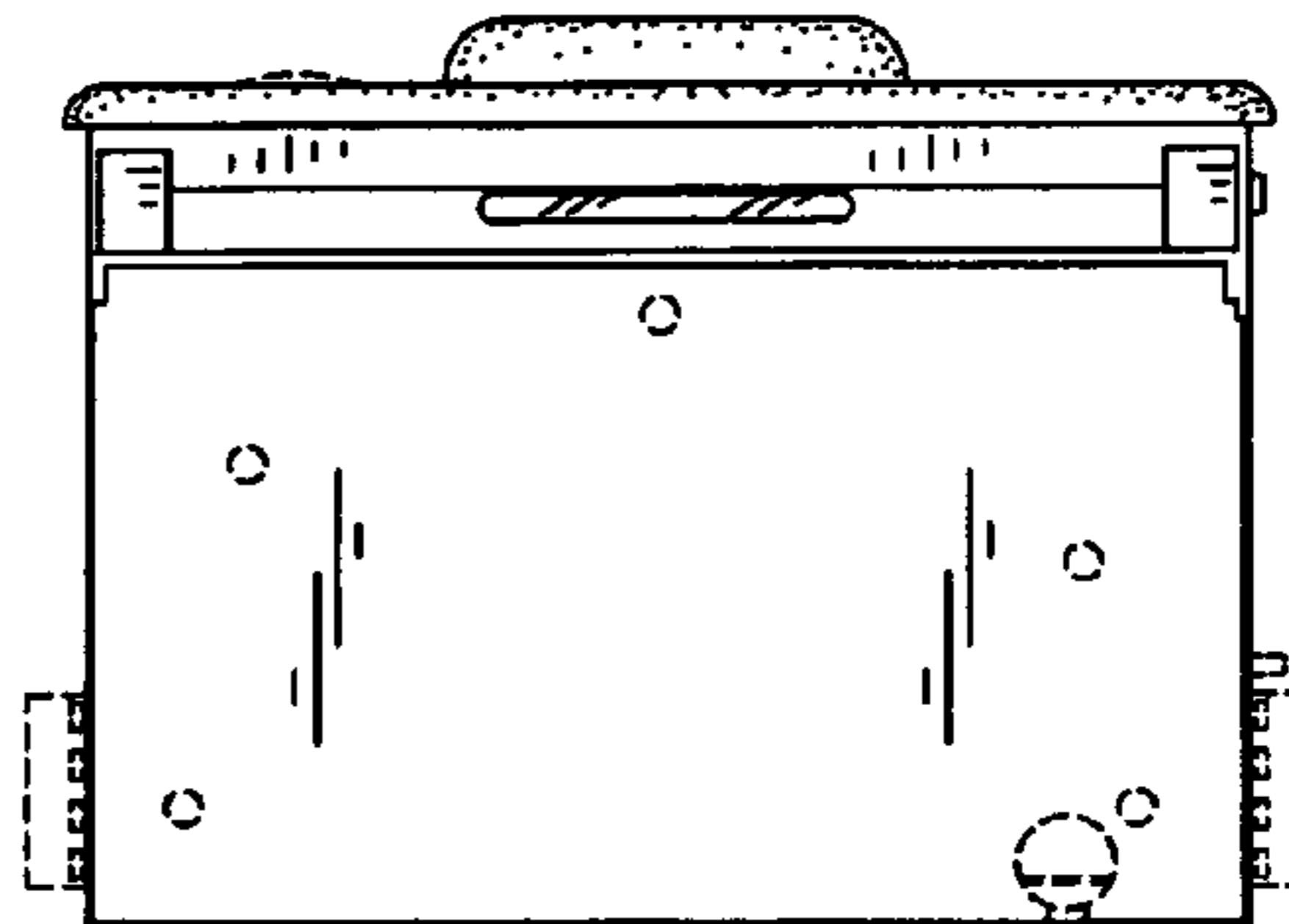


Fig. 7