



US00D619656S

(12) **United States Design Patent**
Trombly

(10) **Patent No.:** **US D619,656 S**
(45) **Date of Patent:** **** Jul. 13, 2010**

(54) **CADDY LID**

(75) Inventor: **Edgar F. Trombly**, Grosse Pointe Farms, MI (US)

(73) Assignee: **Punch Products USA, Inc.**, Rahway, NJ (US)

(**) Term: **14 Years**

(21) Appl. No.: **29/341,627**

(22) Filed: **Aug. 10, 2009**

(51) **LOC (9) Cl.** **19-02**

(52) **U.S. Cl.** **D19/77**

(58) **Field of Classification Search** D3/206,
D3/310, 313; D7/392.1, 510, 511; D9/436,
D9/454, 741, 747, 779; D19/75, 77-86,
D19/90-95; D34/1; 206/214, 224, 371,
206/457; 211/69.1-69.9, 70

See application file for complete search history.

(56) **References Cited**

U.S. PATENT DOCUMENTS

- D118,411 S * 1/1940 Dolgorukov D19/77
- D217,040 S * 3/1970 Smith D19/23
- D226,172 S * 1/1973 McElvy D9/454
- D241,818 S * 10/1976 Hejna D9/737
- D254,853 S * 4/1980 Grunstad D19/23
- D264,224 S * 5/1982 Henkels D19/75
- D282,233 S * 1/1986 Kelley D7/553.6
- D292,488 S * 10/1987 Hoyt D9/443
- D311,027 S * 10/1990 Yuen D19/73
- D311,213 S * 10/1990 Ancona et al. D19/77
- D323,853 S * 2/1992 Evenson D19/77
- D325,149 S * 4/1992 Ancona et al. D7/641
- D328,472 S * 8/1992 Ancona et al. D19/77
- D336,703 S * 6/1993 Mason et al. D34/1
- D339,824 S * 9/1993 Ancona et al. D19/77

- 5,441,163 A * 8/1995 Carrasco 220/23.86
- D364,189 S * 11/1995 Trombly D19/77
- D394,184 S * 5/1998 Demore D7/391
- D414,809 S * 10/1999 Trombly D19/78
- D430,215 S * 8/2000 Trombly D19/77
- D430,989 S * 9/2000 Price D7/392.1
- D453,190 S * 1/2002 Trombly D19/85
- D462,998 S * 9/2002 Slater et al. D19/85
- D470,008 S * 2/2003 Trombly D7/392.1
- 6,561,363 B1 * 5/2003 Willhite et al. 211/60.1
- D486,184 S * 2/2004 Leithaeuser D19/77
- D511,546 S * 11/2005 Trombly D19/77
- D582,271 S * 12/2008 Vogel D9/447
- D583,870 S * 12/2008 Allen et al. D19/85

OTHER PUBLICATIONS

Promotional Desk Caddy With Spot Color Insert, product ID: 8002061, www.usimprints.com, 3 pages, printed Feb. 28, 2010.*

* cited by examiner

Primary Examiner—Elizabeth A Albert

(74) *Attorney, Agent, or Firm*—Baker Botts LLP

(57) **CLAIM**

The ornamental design for a caddy lid, as shown and described.

DESCRIPTION

FIG. 1 is a top perspective view of the caddy lid.

FIG. 2 is a top view of the caddy lid of FIG. 1

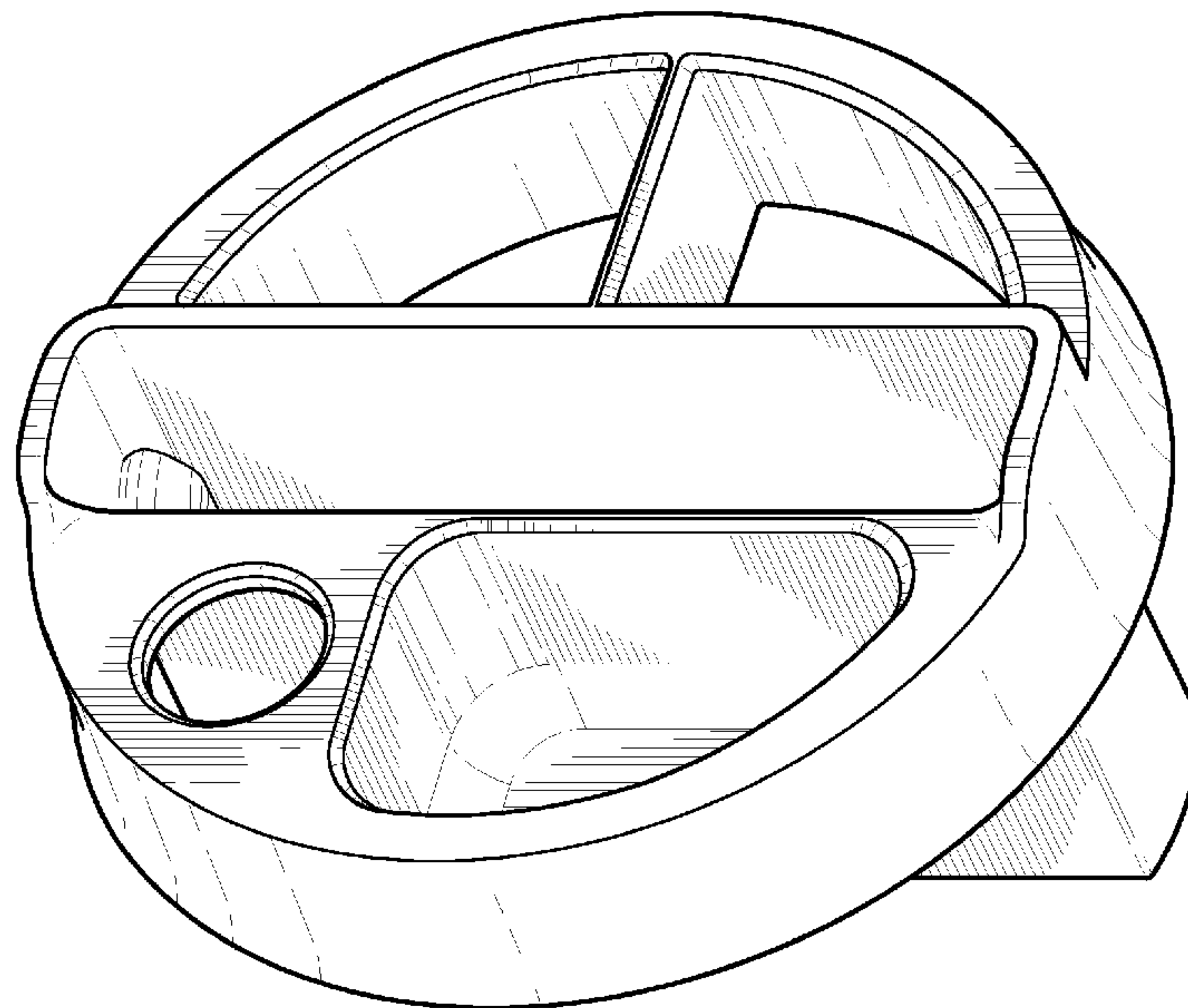
FIG. 3 is a front view of the caddy lid of FIG. 1.

FIG. 4 is a rear view of the caddy lid of FIG. 1.

FIG. 5 is a right side view of the caddy lid of FIG. 1. The right side view of the caddy lid is a mirror image of the left side view; and,

FIG. 6 is a bottom perspective view of the caddy lid of FIG. 1.

1 Claim, 6 Drawing Sheets



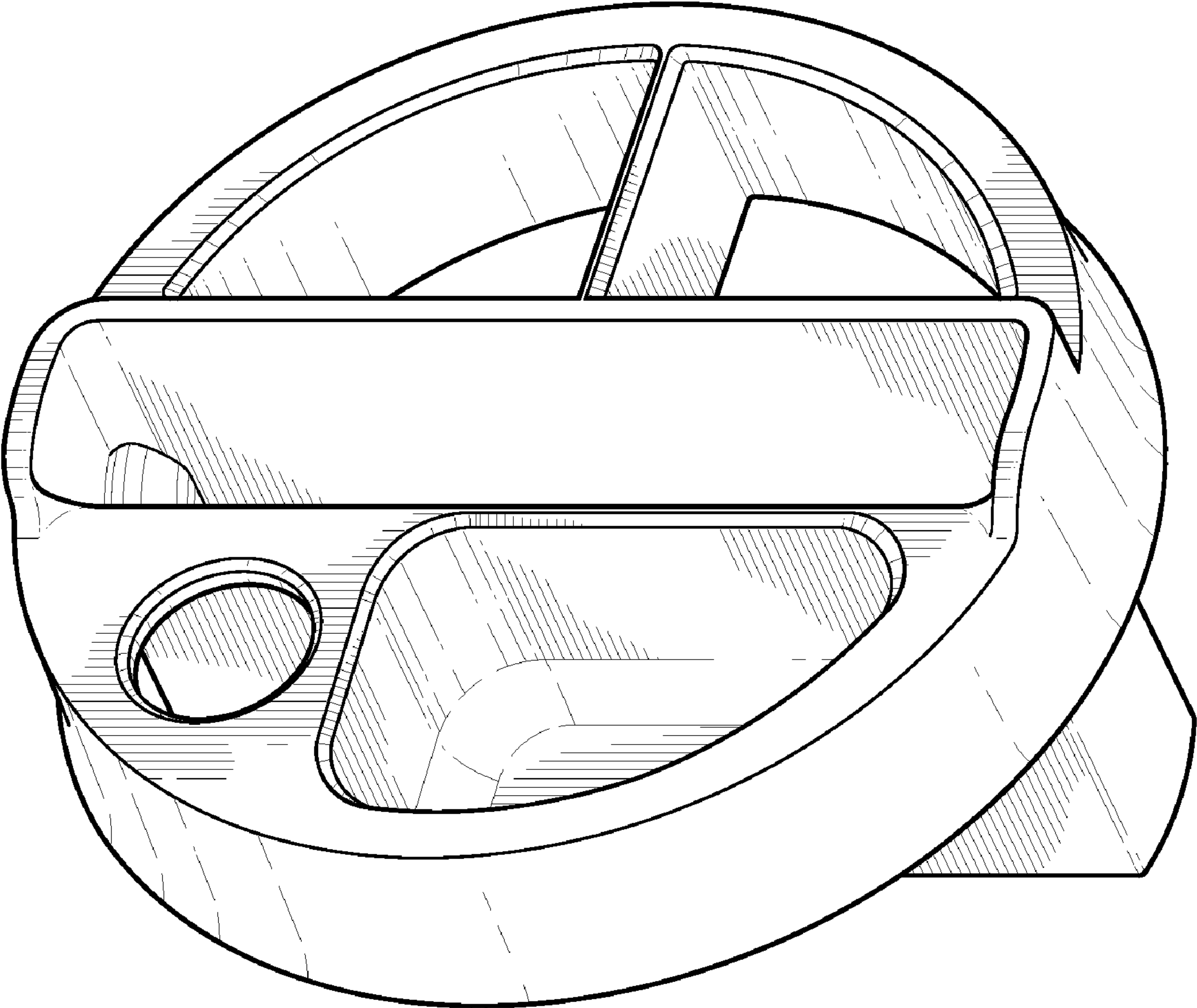


FIG. 1

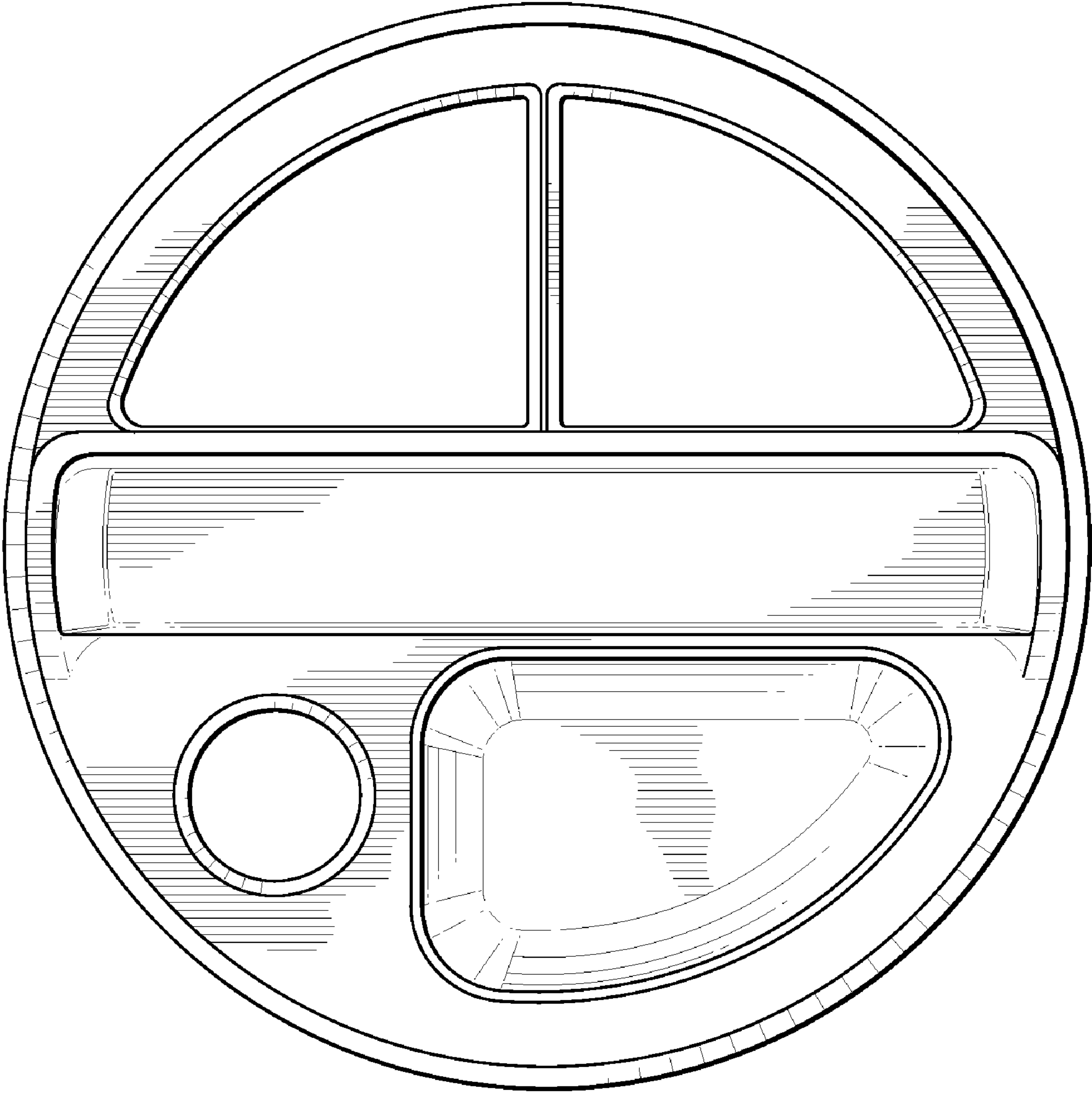


FIG.2

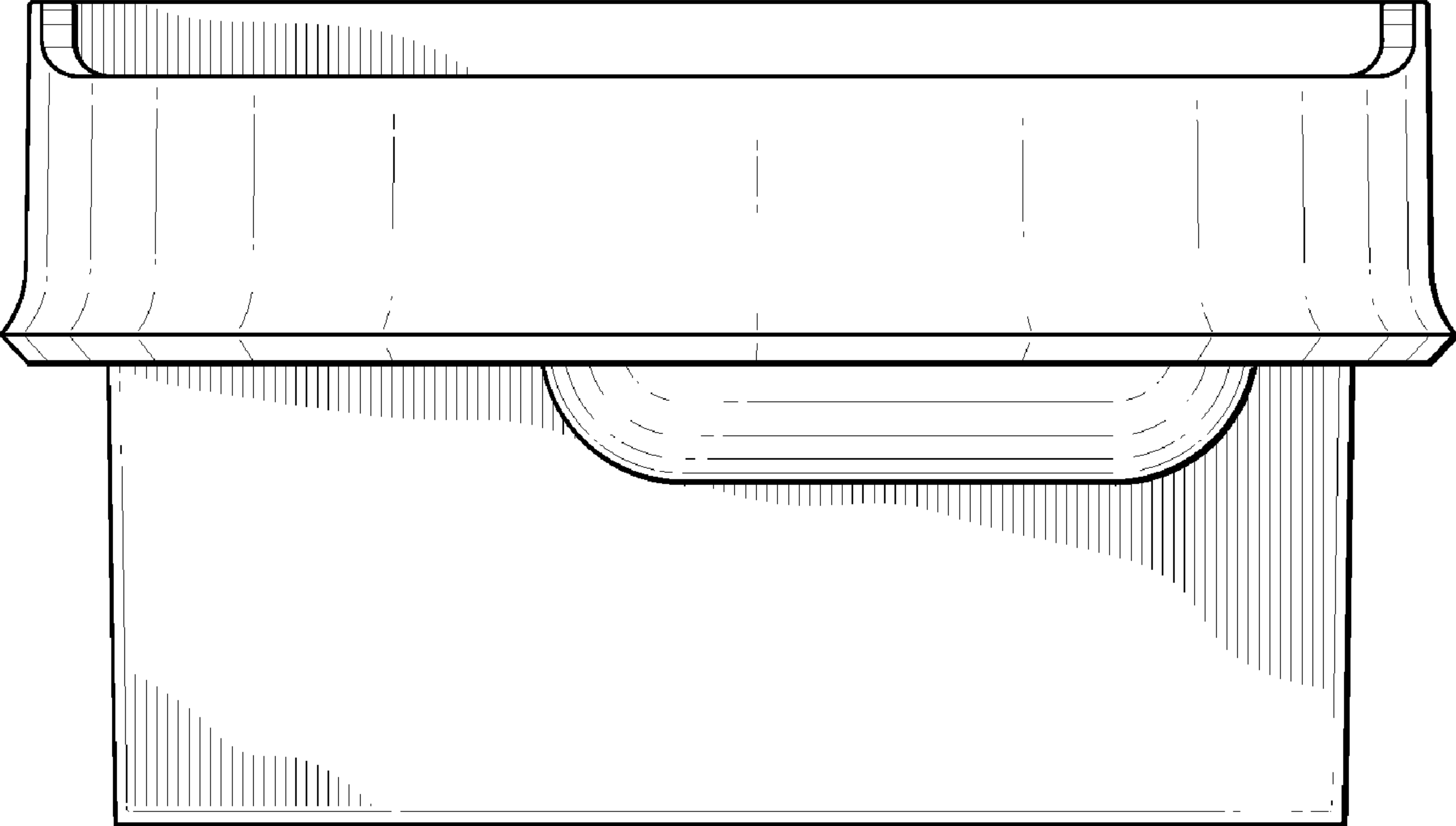


FIG.3

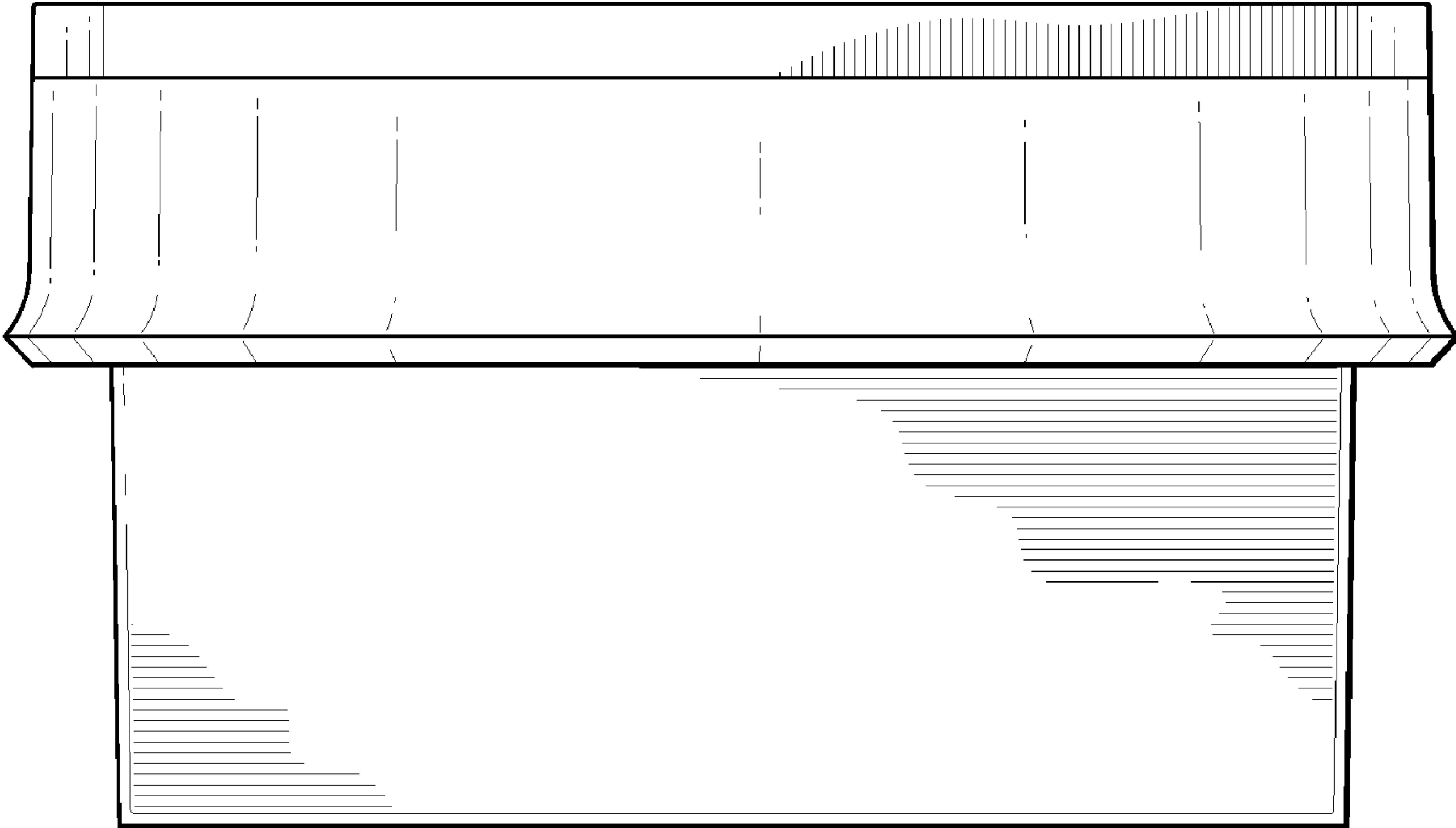


FIG.4

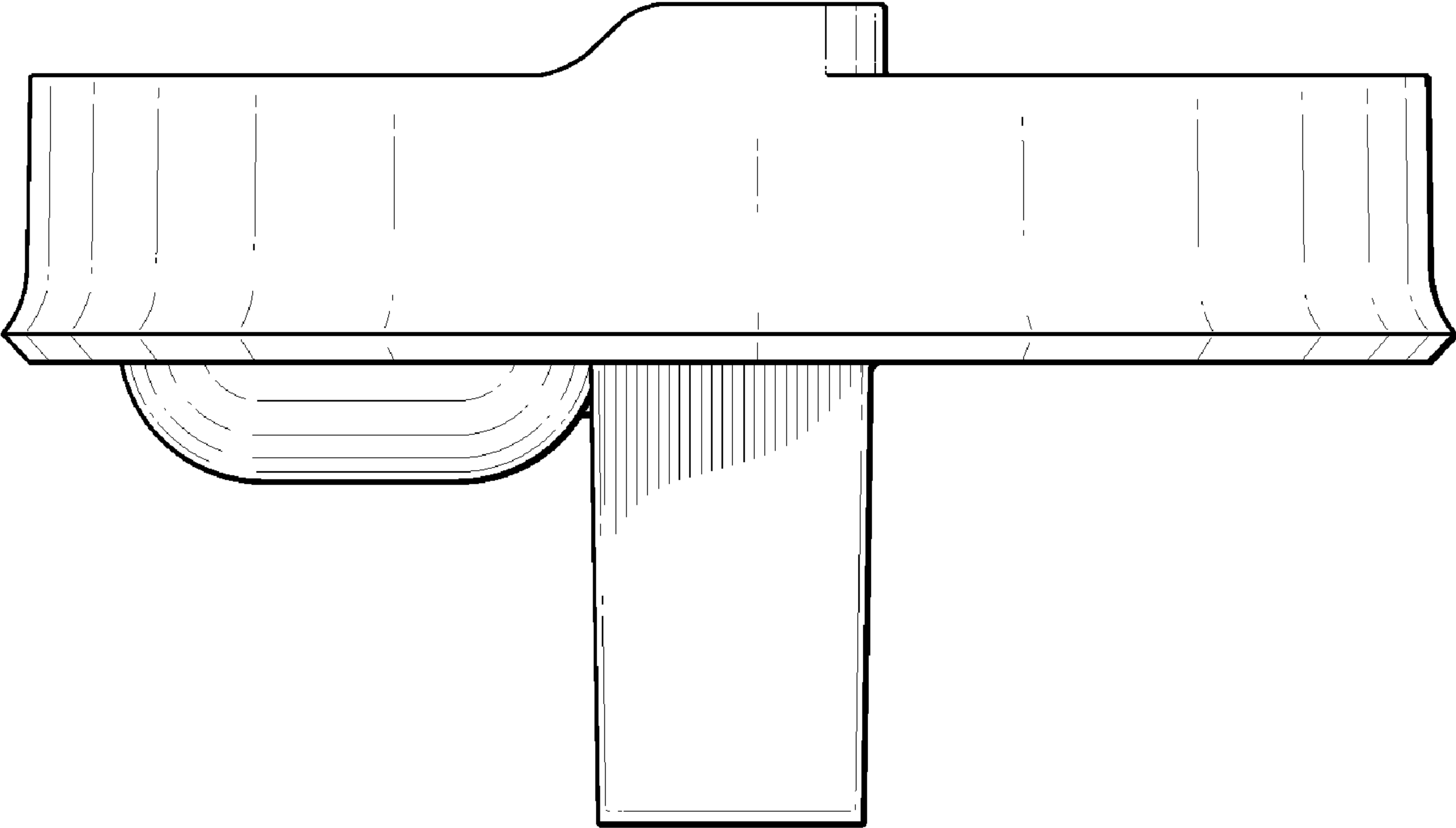


FIG.5

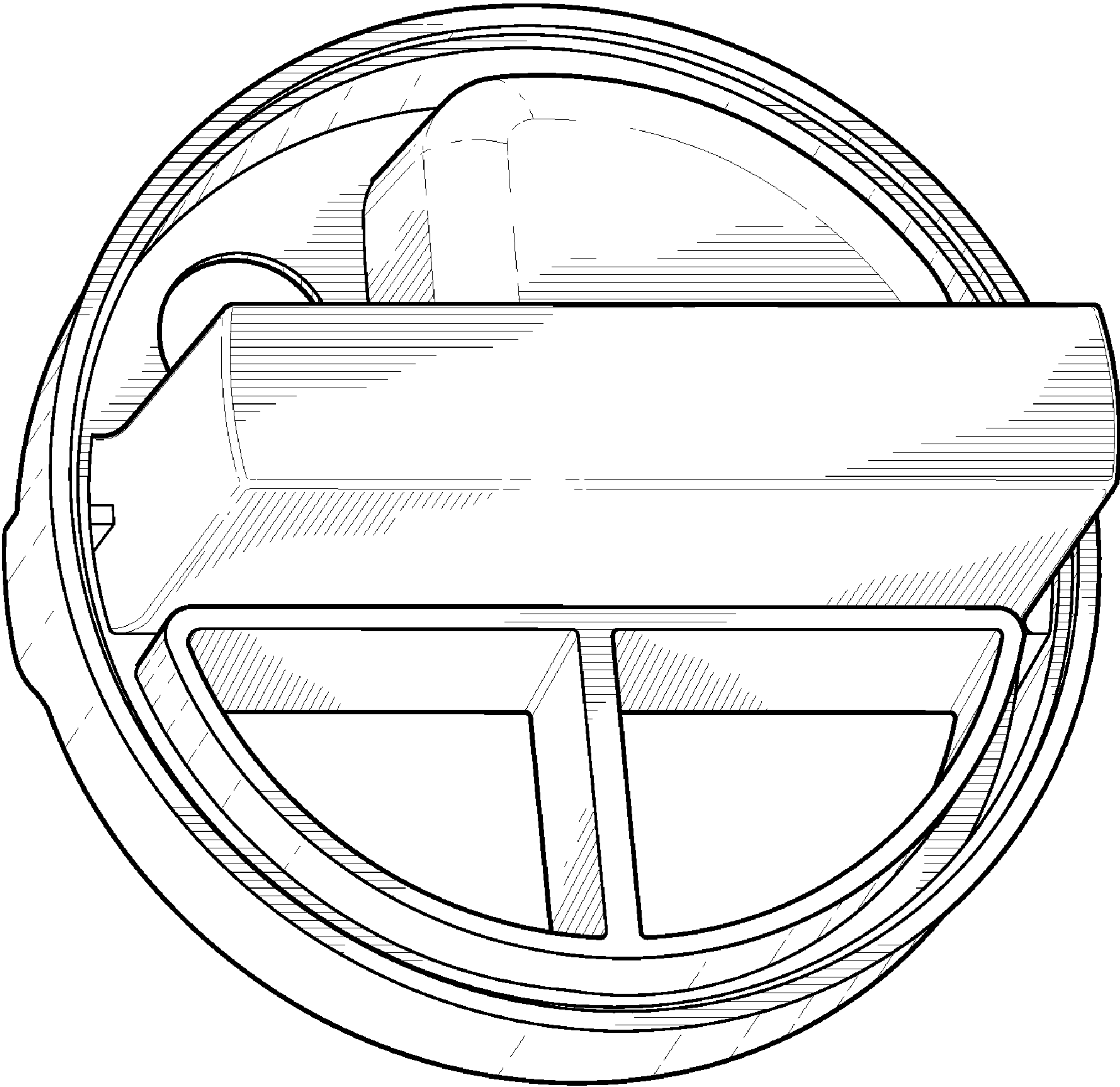


FIG. 6