



US00D619654S

(12) **United States Design Patent**
Steinberger

(10) **Patent No.:** **US D619,654 S**

(45) **Date of Patent:** **** Jul. 13, 2010**

(54) **TAPE DISPENSER**

(76) Inventor: **Robert Steinberger**, 14 Van Winkle Rd.,
Monsey, NY (US) 10952

(**) Term: **14 Years**

(21) Appl. No.: **29/292,680**

(22) Filed: **Oct. 25, 2007**

(51) **LOC (9) Cl.** **19-02**

(52) **U.S. Cl.** **D19/69**

(58) **Field of Classification Search** D19/70,
D19/69, 36, 68; 242/588.6, 588.2; 225/77,
225/6, 56, 39, 26, 25, 19, 11; 206/411; 156/577,
156/527, 523

See application file for complete search history.

(56) **References Cited**

U.S. PATENT DOCUMENTS

5,197,386	A *	3/1993	Lin	101/213
5,549,255	A *	8/1996	Huang	242/422.5
5,641,377	A *	6/1997	Chung et al.	156/577
5,725,726	A *	3/1998	Yu	156/577
5,776,301	A *	7/1998	Huang	156/577
5,947,025	A *	9/1999	Huang	101/327
5,954,916	A *	9/1999	Orlandi	156/386
6,159,328	A *	12/2000	Gaikoski et al.	156/269
6,257,298	B1 *	7/2001	Huang	156/577
6,540,002	B1 *	4/2003	Edwards et al.	156/577
6,641,081	B2 *	11/2003	Huang	242/588
6,651,718	B2 *	11/2003	Hua	156/523
6,705,374	B2 *	3/2004	Yu Chen	156/527
6,810,802	B2 *	11/2004	Huang	101/328
6,848,489	B2 *	2/2005	Lissoni	156/523
D520,061	S *	5/2006	Daunter et al.	D19/69
D564,592	S *	3/2008	Kwok	D19/69
D565,663	S *	4/2008	Yu Chen	D19/69
D570,917	S *	6/2008	Bailey et al.	D19/69
7,591,037	B1 *	9/2009	Strickland	7/160
2002/0195204	A1 *	12/2002	Huang	156/577

2003/0173452	A1 *	9/2003	Huang	242/588
2004/0211523	A1 *	10/2004	Yu Chen	156/523
2006/0021193	A1 *	2/2006	Yu Chen	16/111.1
2006/0169709	A1 *	8/2006	Bailey et al.	221/26
2007/0210205	A1 *	9/2007	Tang	242/588.2

* cited by examiner

Primary Examiner—Cathron C Brooks

Assistant Examiner—Austin Murphy

(74) *Attorney, Agent, or Firm*—Michael Zall

(57) **CLAIM**

I Claim the ornamental design for the tape dispenser, as shown and described.

DESCRIPTION

FIG. 1 is a left side view of the Tape Dispenser showing my new design;

FIG. 2 is a right side view thereof;

FIG. 3 is a front view thereof;

FIG. 4 is a rear view thereof;

FIG. 5 is a bottom view thereof;

FIG. 6 is a top view thereof;

FIG. 7 is a left perspective view thereof;

FIG. 8 is a right perspective view thereof;

FIG. 9 is a side view of the roller shown separately for completeness of illustration;

FIG. 10 is an opposite side view of FIG. 9;

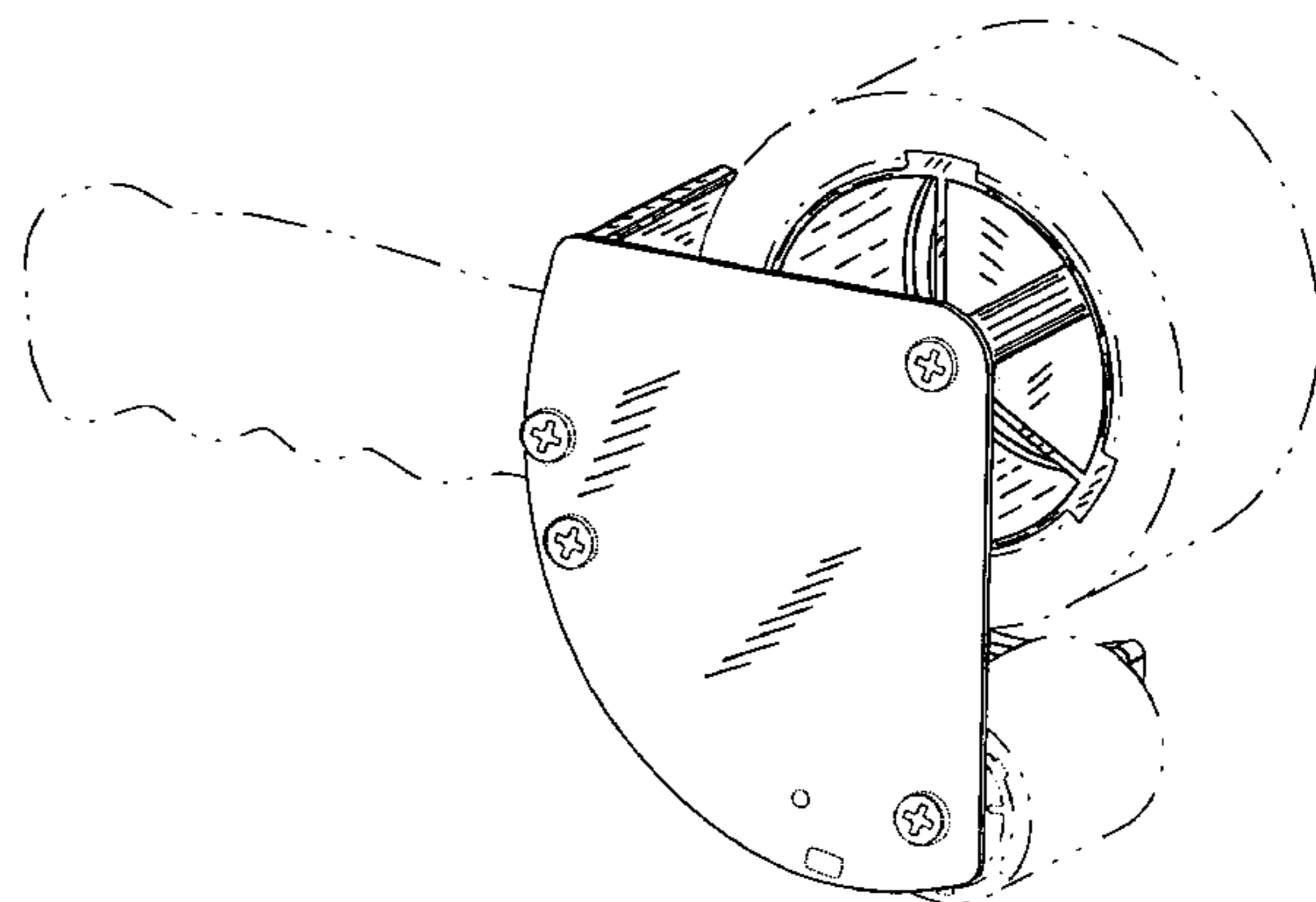
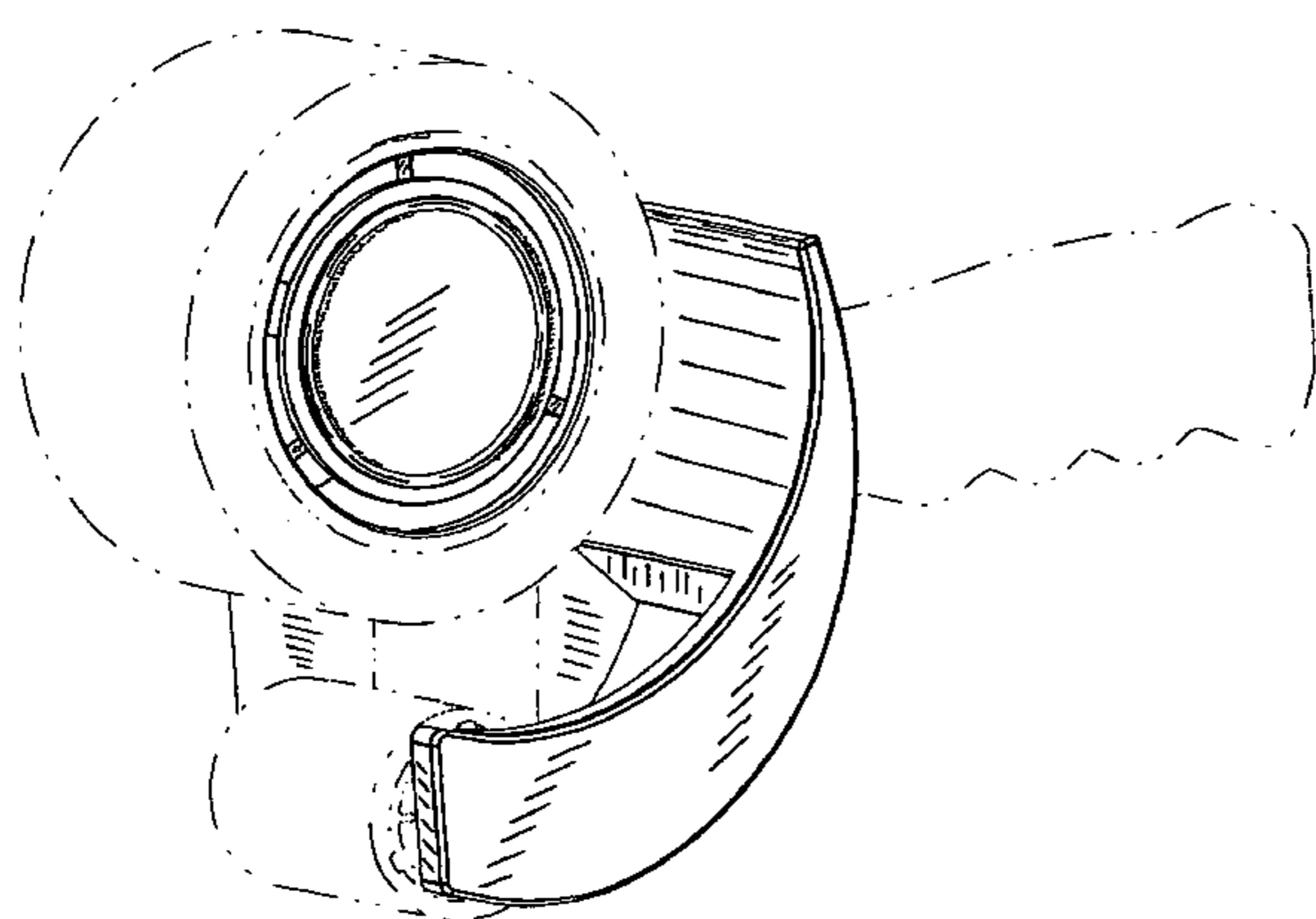
FIG. 11 is a top view of FIG. 9;

FIG. 12 is a left perspective view of FIG. 9; and,

FIG. 13 is a right perspective view of FIG. 9.

The broken lines shown in the drawings represent portions of the tape dispenser that form no part of the claimed design.

1 Claim, 6 Drawing Sheets



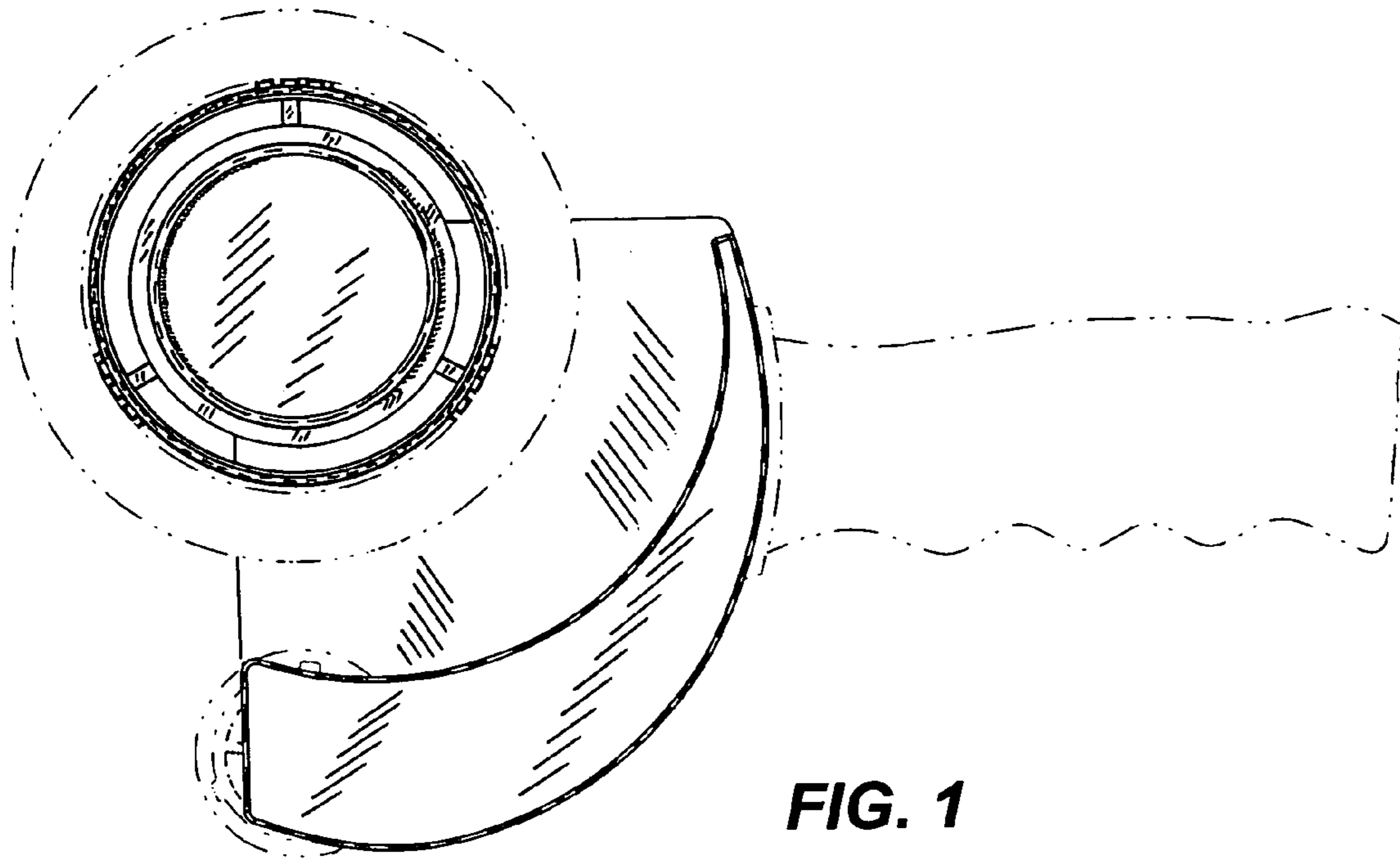


FIG. 1

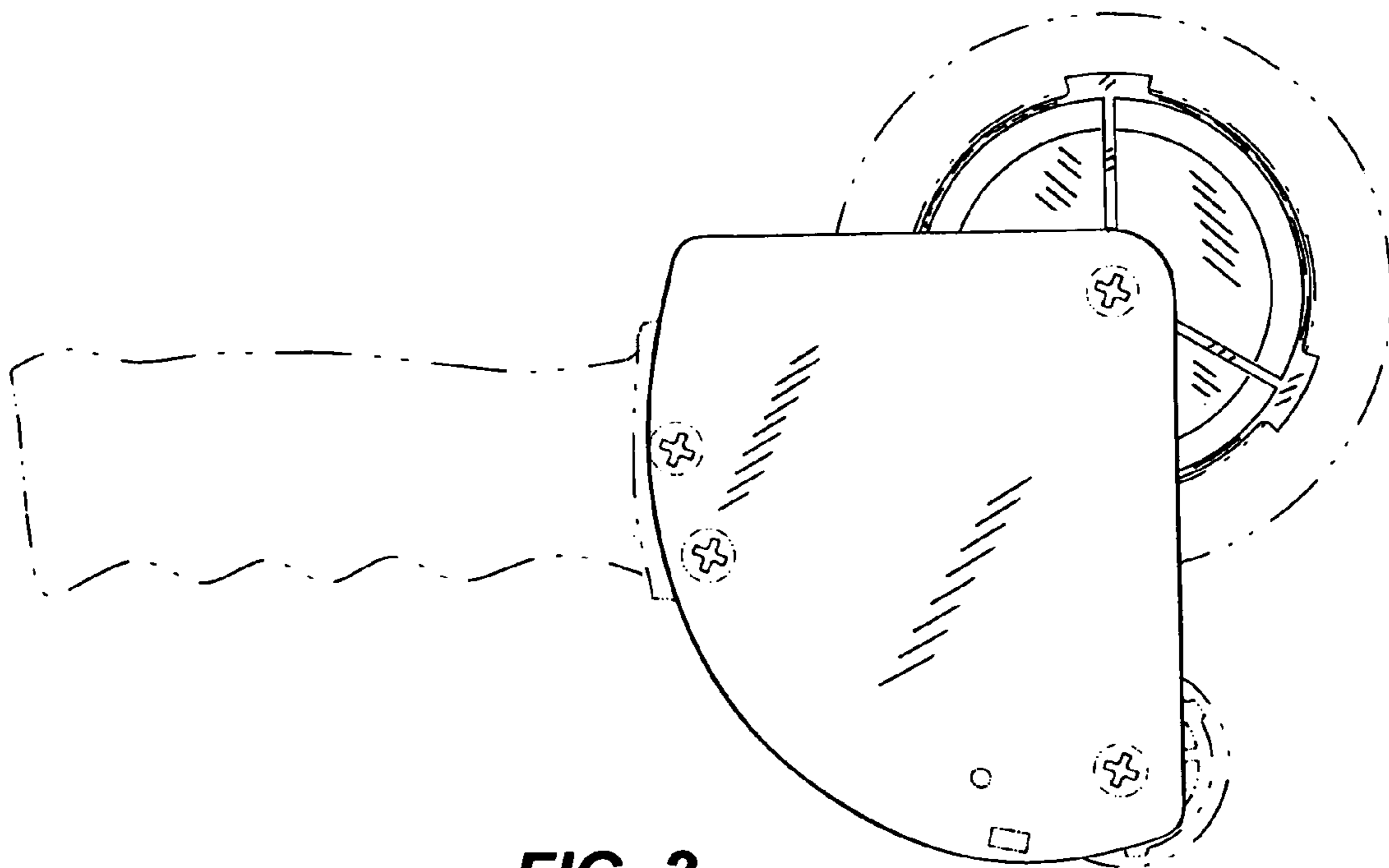


FIG. 2

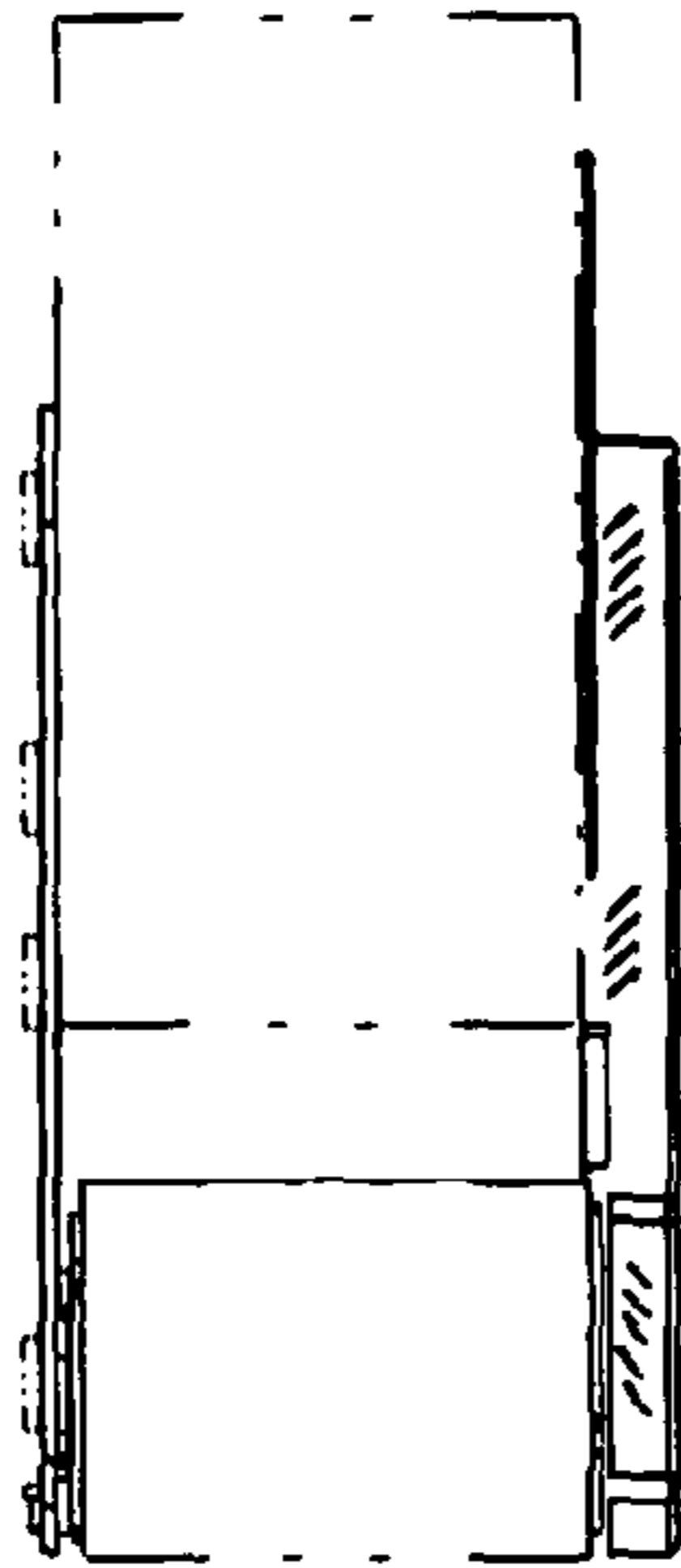


FIG. 3

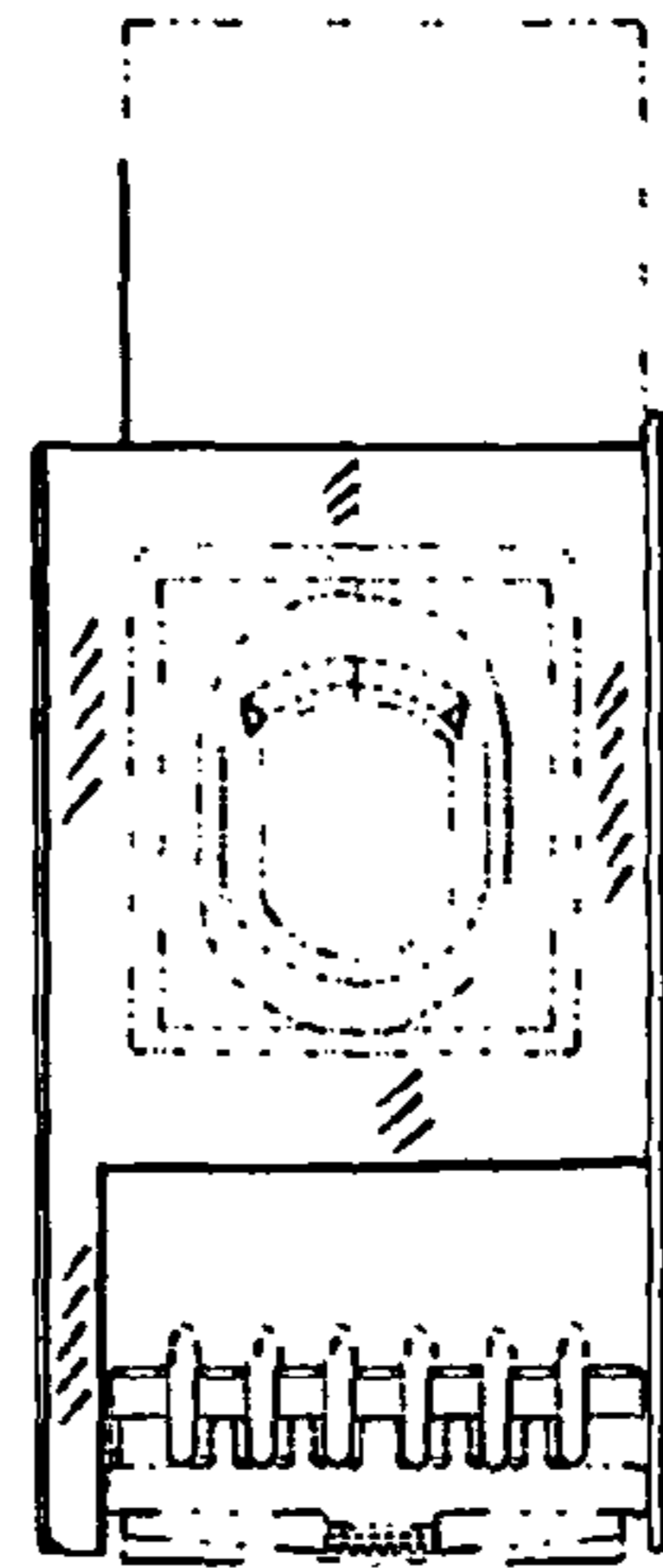


FIG. 4

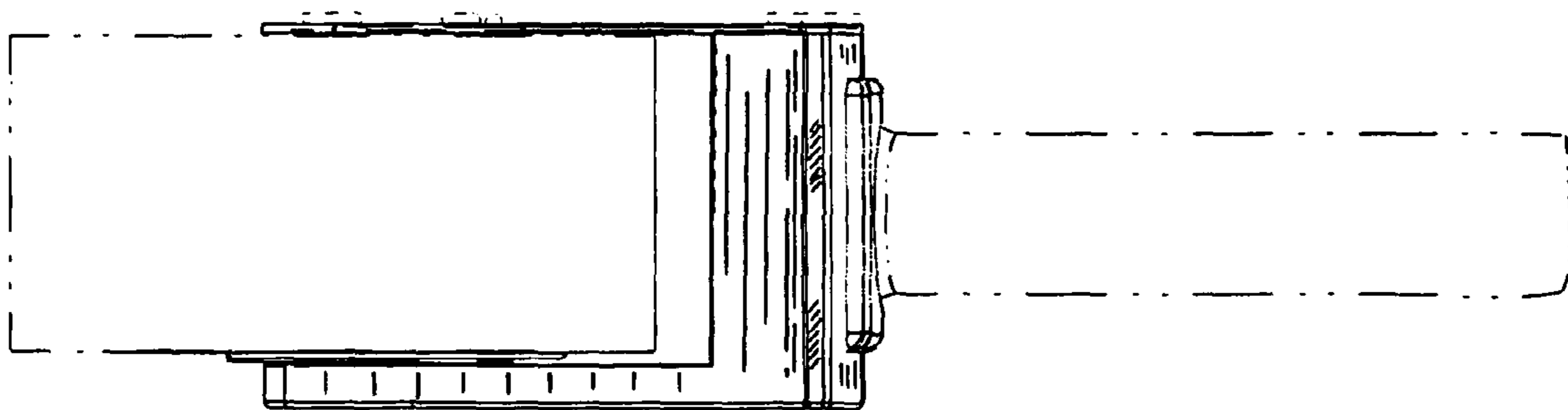


FIG. 5

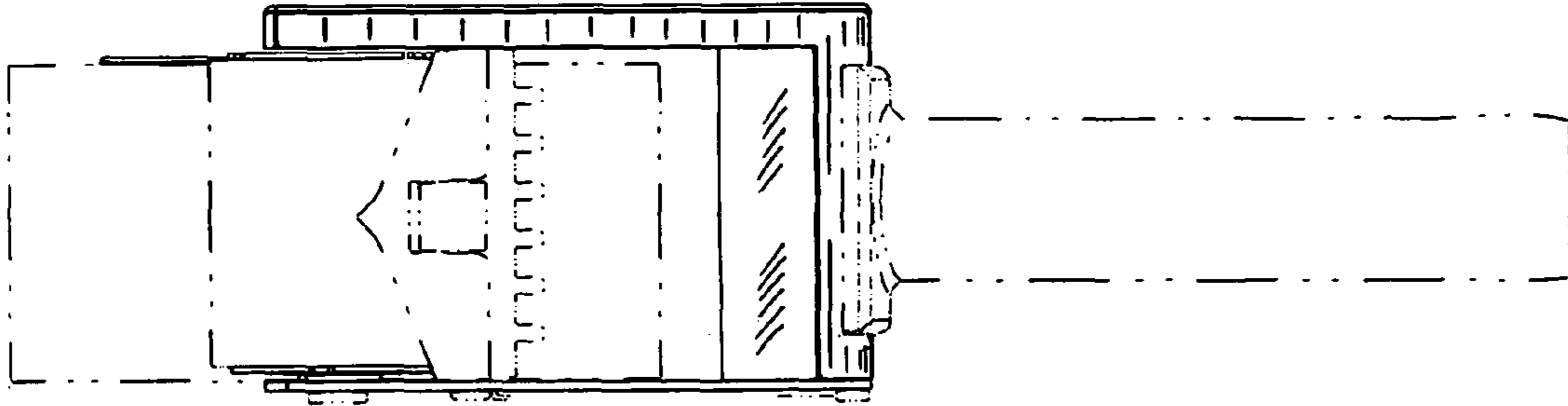


FIG. 6

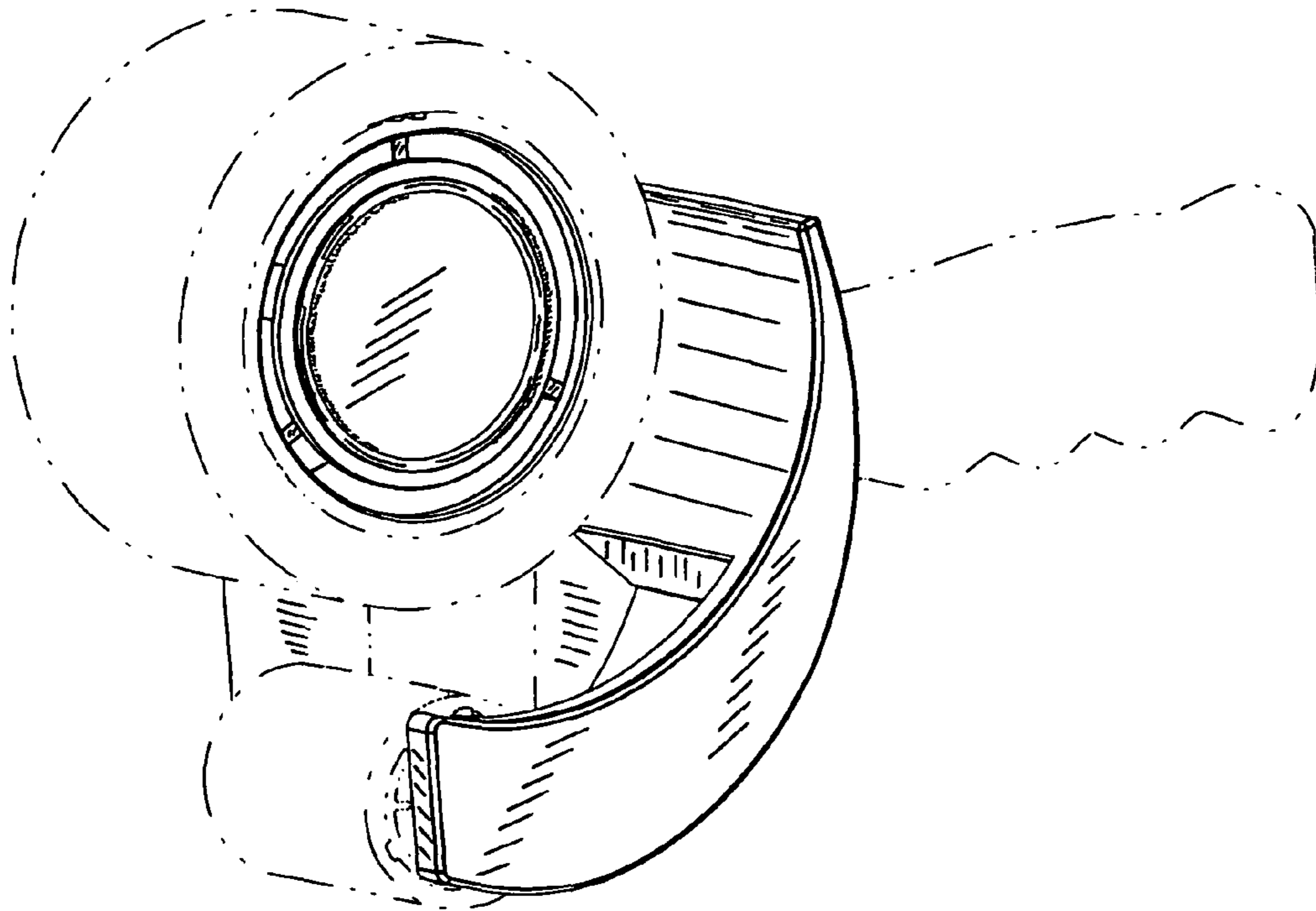


FIG. 7

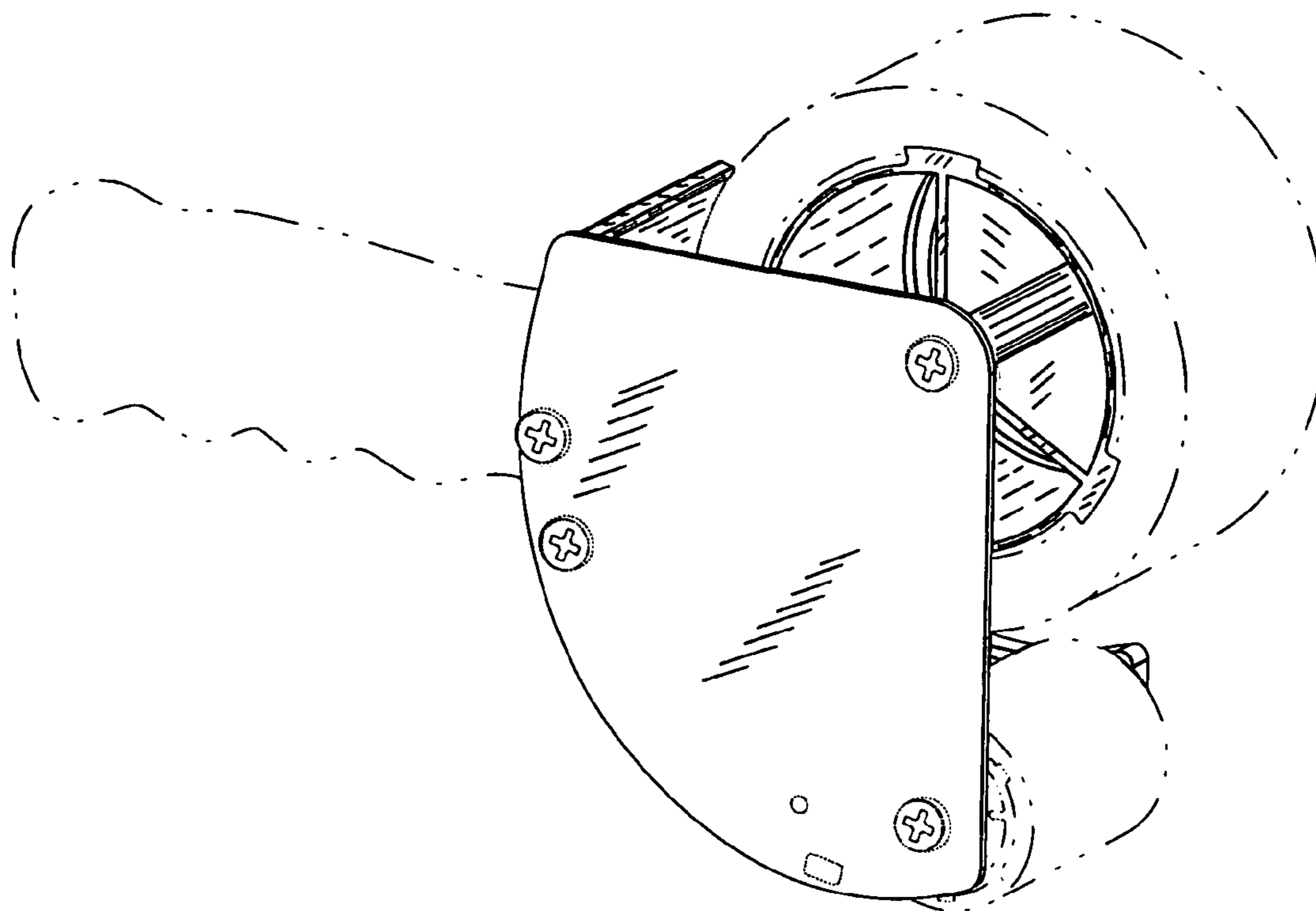


FIG. 8

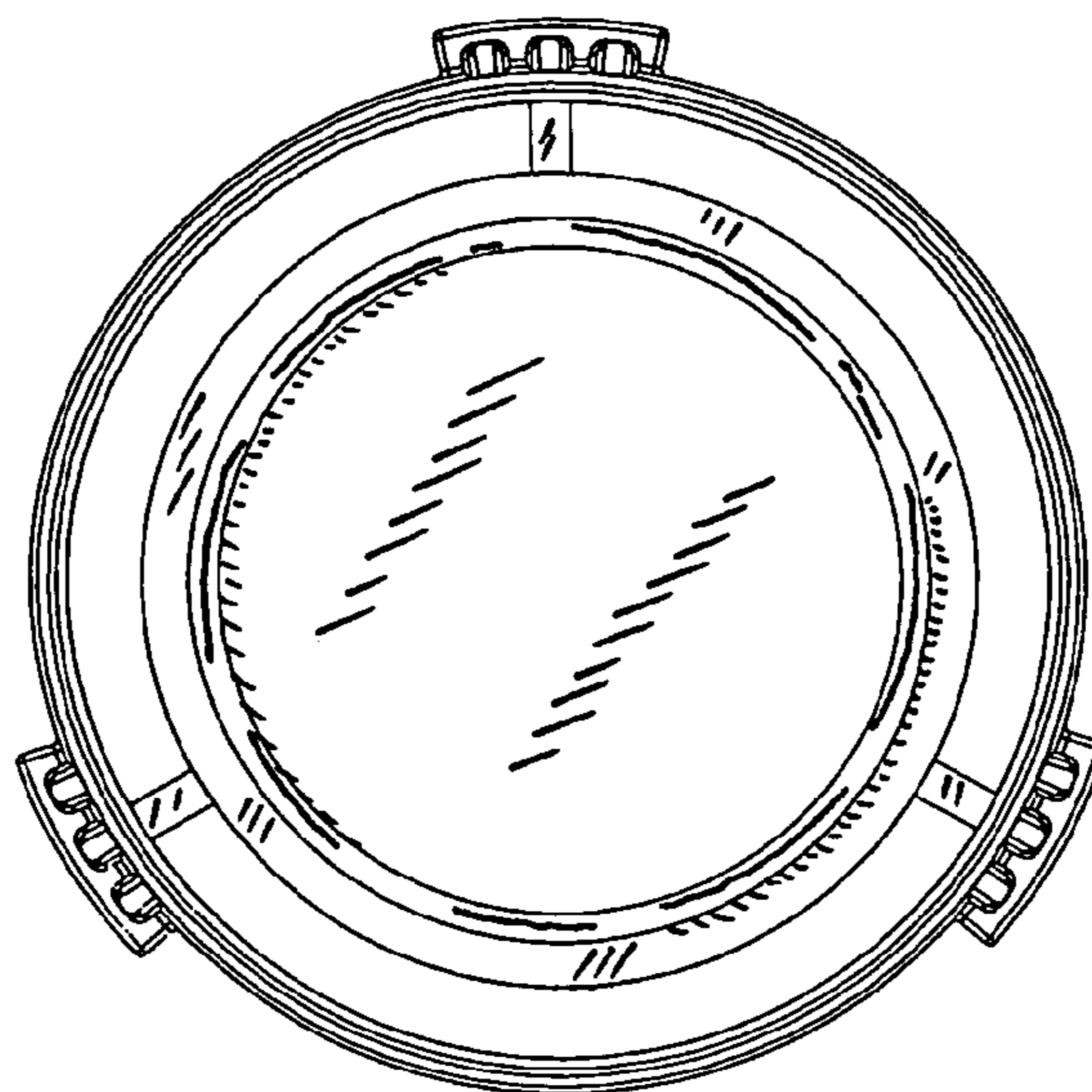


FIG. 9

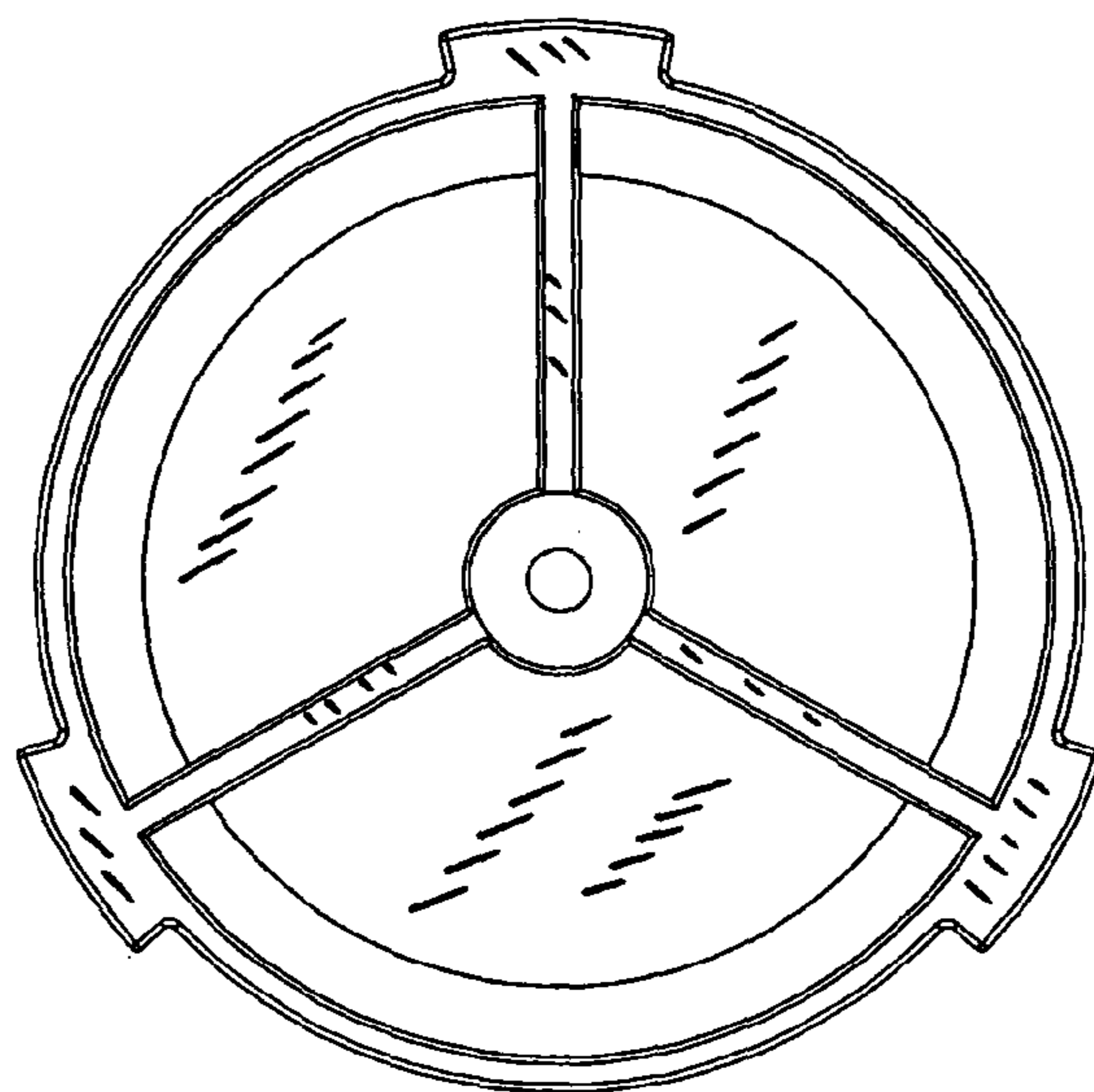


FIG. 10



FIG. 11

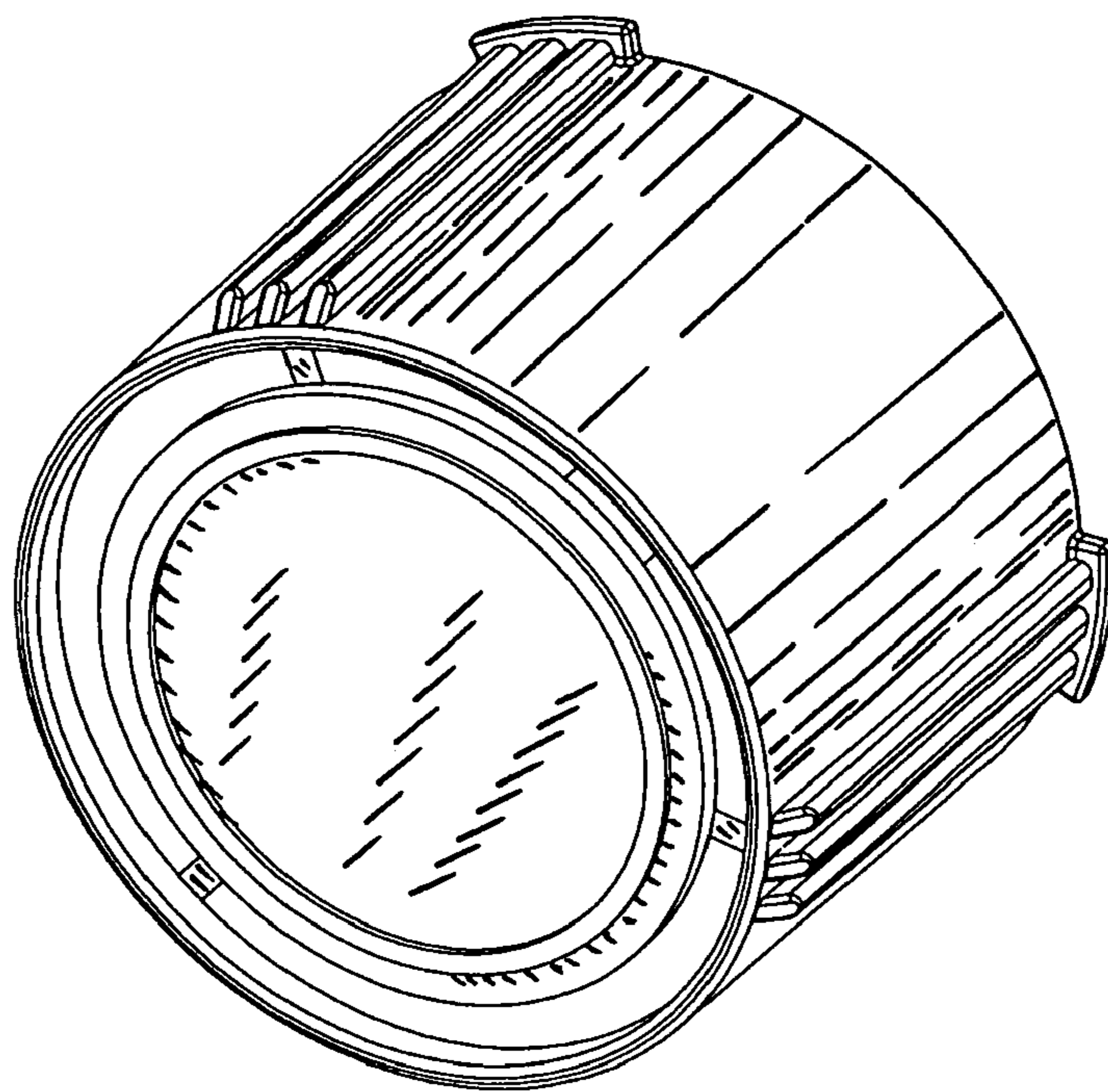


FIG. 12

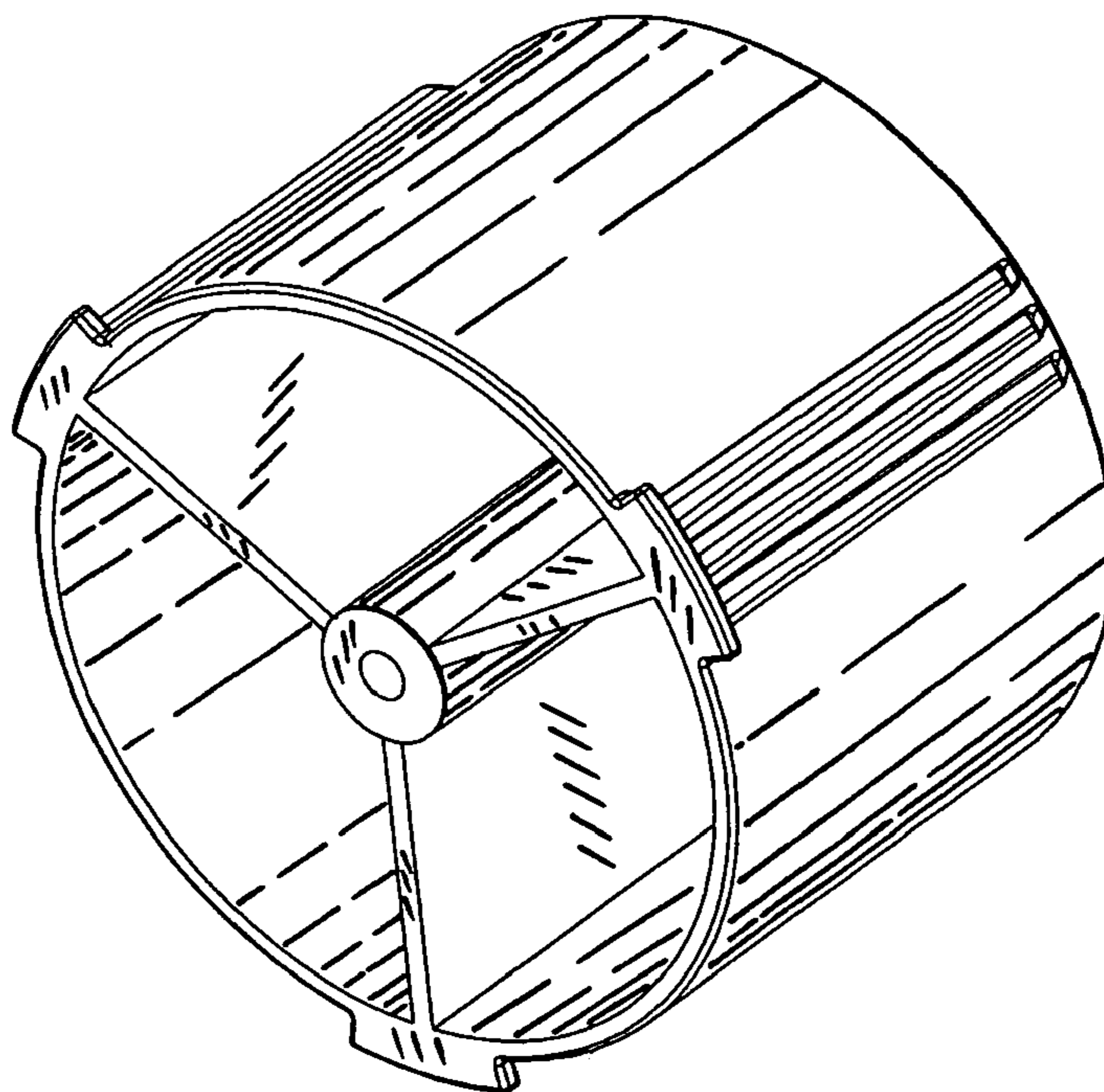


FIG. 13