



US00D619653S

(12) **United States Design Patent**
Willard et al.

(10) **Patent No.:** **US D619,653 S**
(45) **Date of Patent:** **** Jul. 13, 2010**

(54) **LADDER CLIMBING DEMONSTRATION EXHIBIT**

D486,587 S * 2/2004 Yamaoka D25/66
D507,661 S * 7/2005 Treadwell D25/62

(75) Inventors: **Charles M. Willard**, Mocksville, NC (US); **William F. Candy**, Middletown, DE (US)

* cited by examiner

Primary Examiner—T. Chase Nelson

Assistant Examiner—Michael A Pratt

(73) Assignee: **Gore Enterprise Holdings, Inc.**, Newark, DE (US)

(74) *Attorney, Agent, or Firm*—Carol A. Lewis White

(**) Term: **14 Years**

(57) **CLAIM**

(21) Appl. No.: **29/335,476**

The ornamental design for a ladder climbing demonstration exhibit, as shown and described.

(22) Filed: **Apr. 16, 2009**

DESCRIPTION

(51) **LOC (9) Cl.** **19-07**

FIG. 1 is a perspective view of a ladder climbing demonstration exhibit showing our design;

(52) **U.S. Cl.** **D19/62**

FIG. 2 is a side perspective view thereof;

(58) **Field of Classification Search** D19/62,

FIG. 3 is a top view thereof;

D19/100; D25/62, 64, 65, 68, 69; 248/210; 182/93, 106, 115–126, 196, 207

FIG. 4 is an end view thereof;

See application file for complete search history.

FIG. 5 is a perspective view of an alternate second embodiment of the ladder climbing demonstration exhibit showing our design;

(56) **References Cited**

U.S. PATENT DOCUMENTS

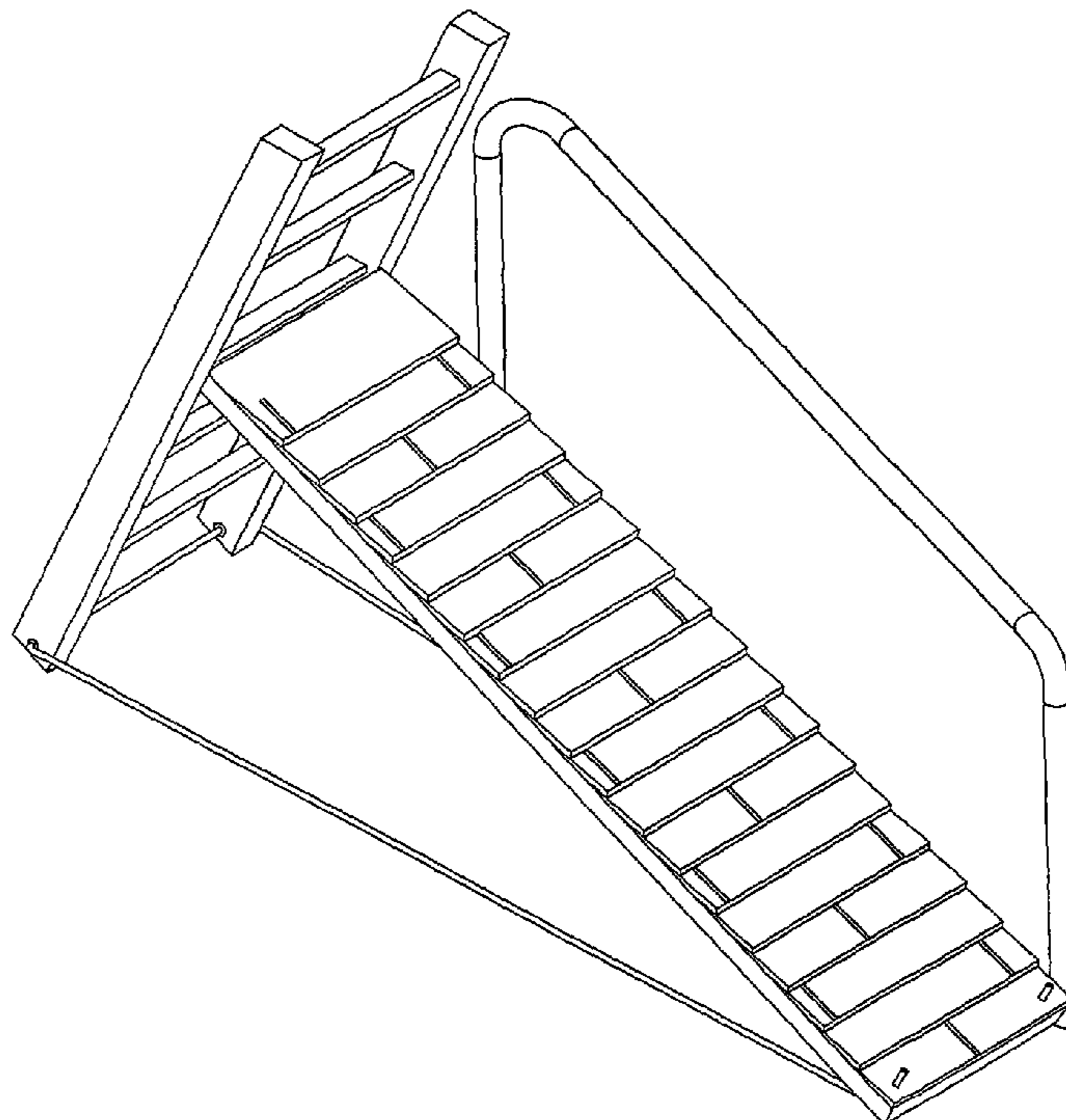
D220,673	S	*	5/1971	Holbrook	D25/62
D238,607	S	*	1/1976	Gannon	D25/64
D290,044	S	*	5/1987	Daly	D25/62
D293,475	S	*	12/1987	Daly	D25/62
D312,314	S	*	11/1990	Harris	D25/62
5,131,197	A	*	7/1992	Varga	52/183
5,134,820	A	*	8/1992	Liu	52/183
D478,999	S	*	8/2003	Jobs et al.	D25/62
D479,338	S	*	9/2003	Hennessy et al.	D25/63

FIG. 6 is a side perspective view of the alternate second embodiment of the the ladder climbing demonstration exhibit, the opposite side view being a mirror image thereof;

FIG. 7 is a top view of an alternate second embodiment of the ladder climbing demonstration exhibit; and,

FIG. 8 is an end view of an alternate second embodiment of the ladder climbing demonstration exhibit.

1 Claim, 4 Drawing Sheets



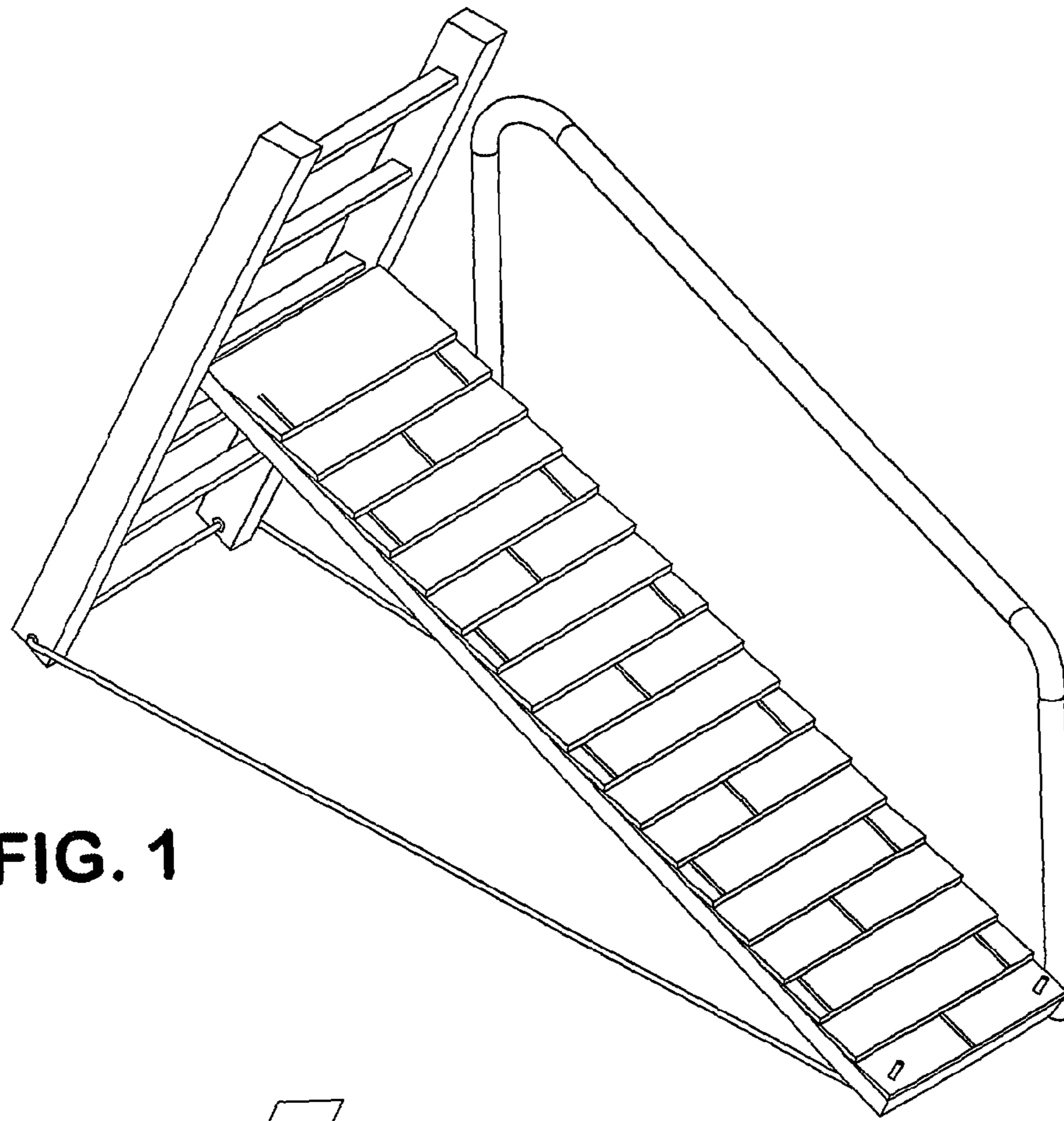


FIG. 1

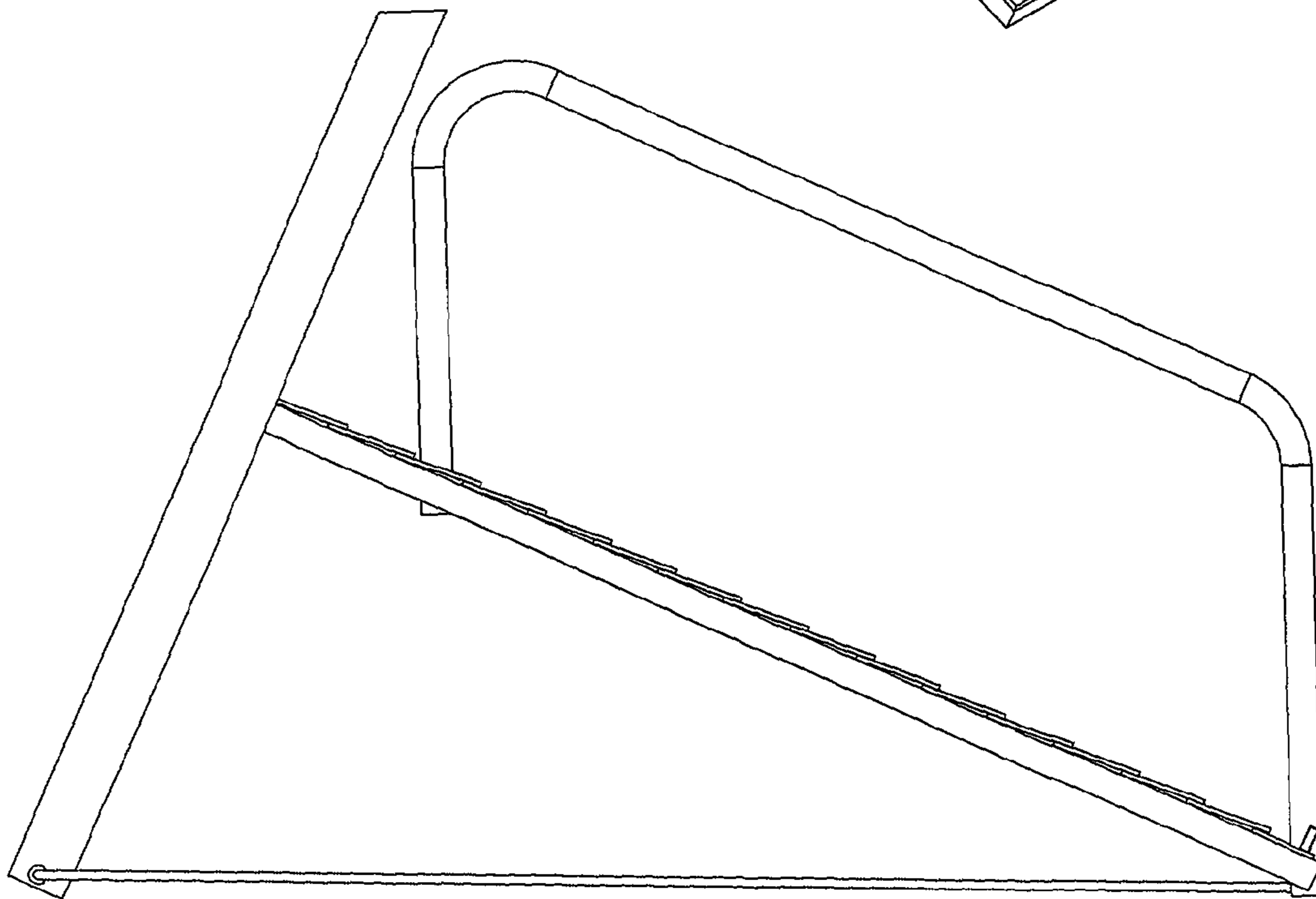


FIG. 2

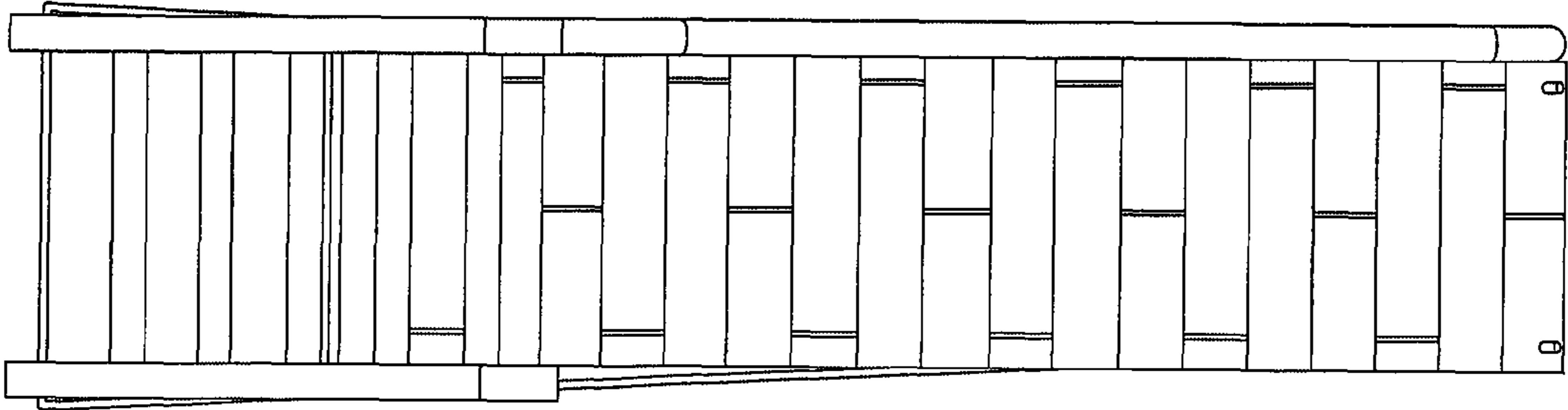


FIG. 3

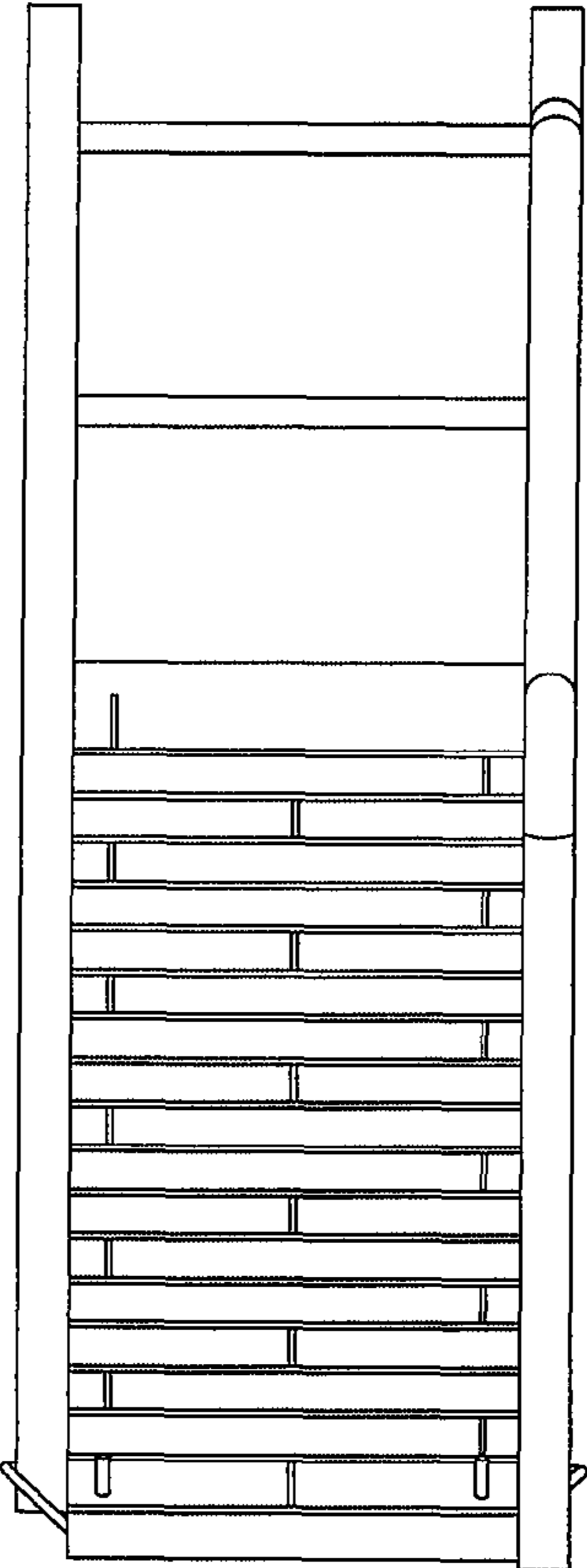


FIG. 4

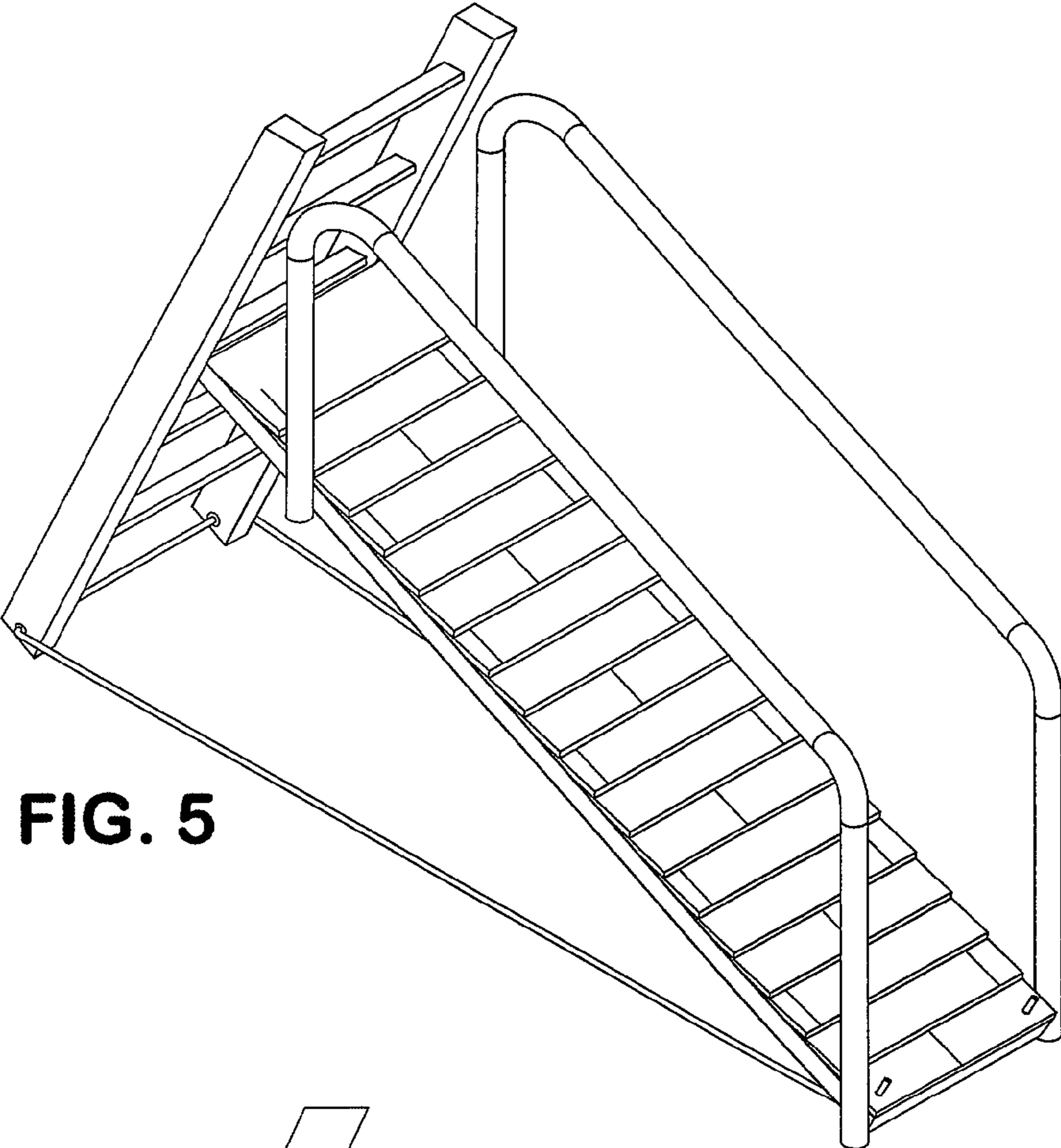


FIG. 5

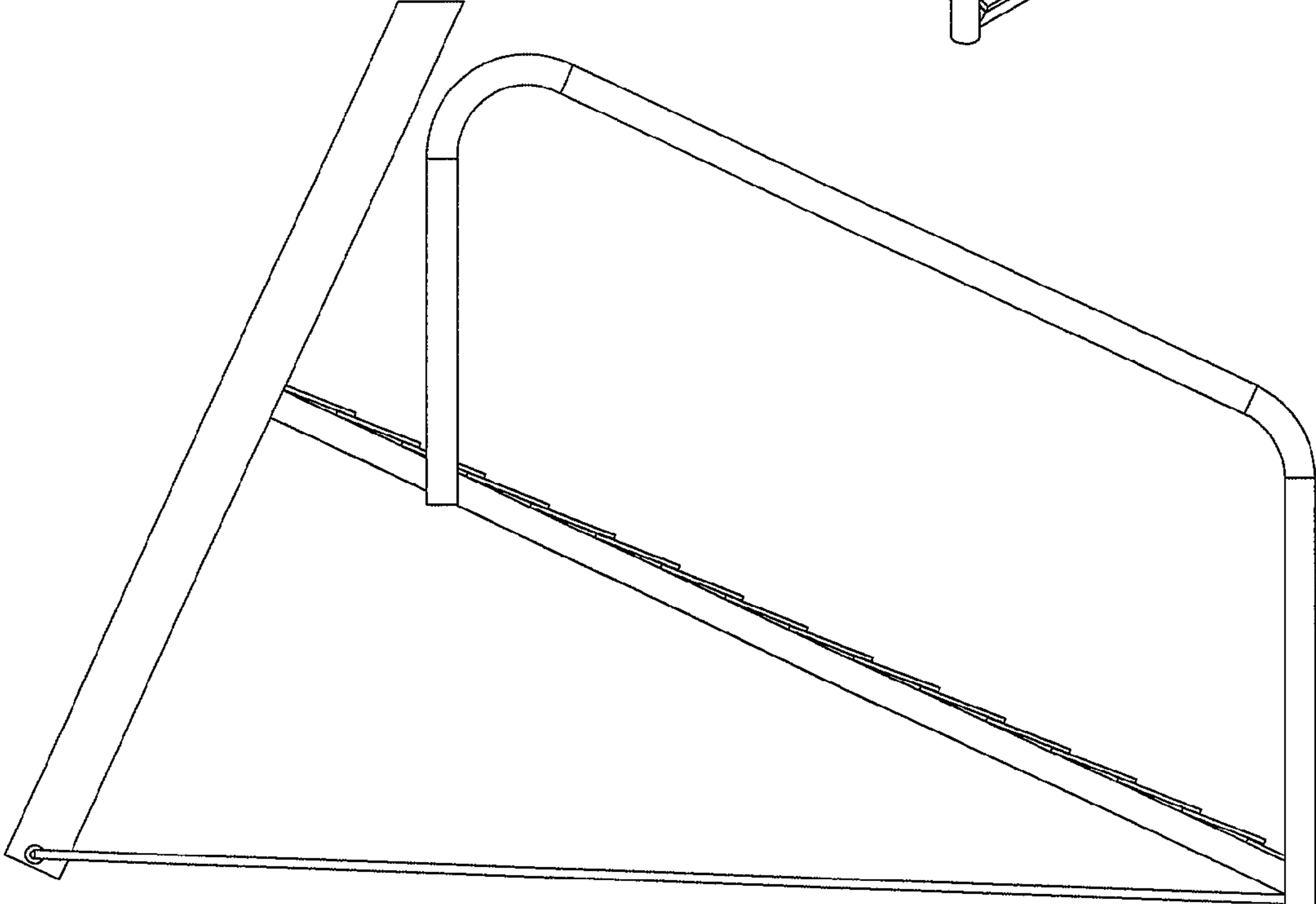


FIG. 6

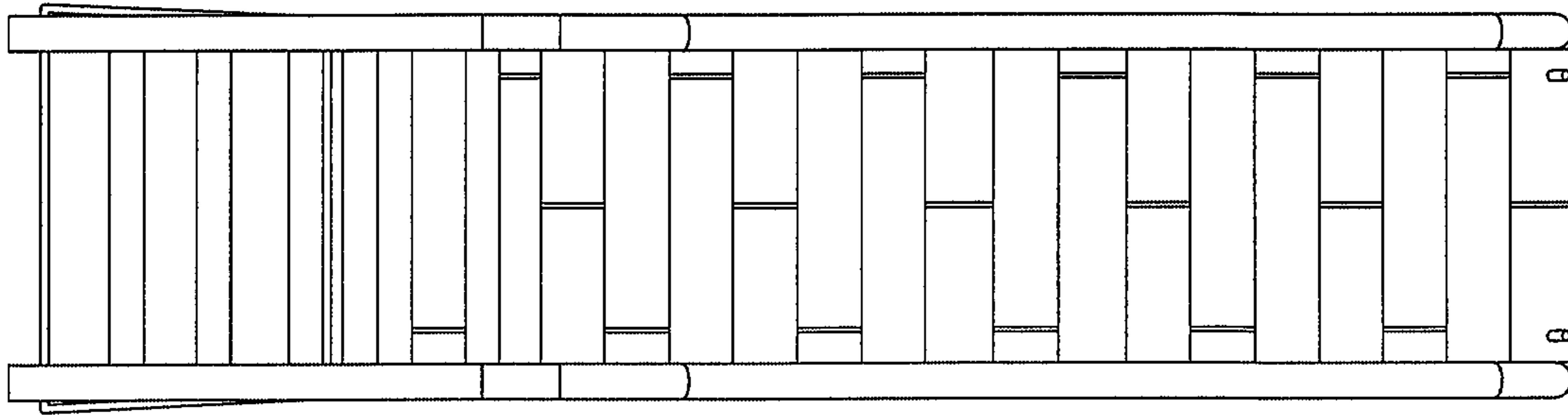


FIG. 7

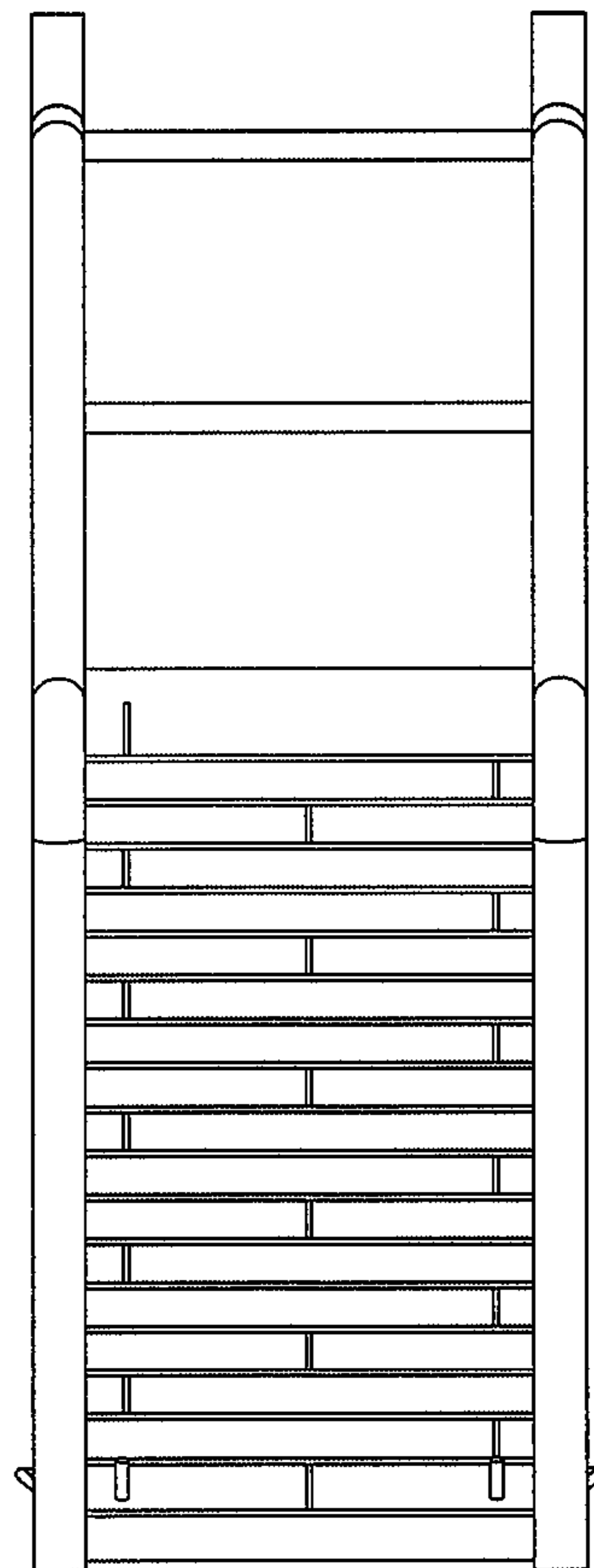


FIG. 8