



US00D619649S

(12) **United States Design Patent**
Chen

(10) **Patent No.:** **US D619,649 S**

(45) **Date of Patent:** **** Jul. 13, 2010**

(54) **ENGRAVING MACHINE**

(76) **Inventor:** **Yuehting Chen**, P.O. Box 697,
Fongyuan City 420, Taichung County
(TW)

(**) **Term:** **14 Years**

(21) **Appl. No.:** **29/347,455**

(22) **Filed:** **Jan. 21, 2010**

(51) **LOC (9) Cl.** **14-02**

(52) **U.S. Cl.** **D18/57**

(58) **Field of Classification Search** D18/53,
D18/55, 39, 54, 38, 57; 399/81, 107, 151,
399/139; 101/131, 287; D14/303, 307; 400/611-629;
D99/28; D20/10; D21/811; D15/122; 74/608;
29/40

See application file for complete search history.

(56) **References Cited**

U.S. PATENT DOCUMENTS

- D152,241 S * 1/1949 Collins D21/811
- D159,412 S * 7/1950 Franklin D18/57
- D228,414 S * 9/1973 Greenlee D18/57
- D232,189 S * 7/1974 Guffredo et al. D15/122
- 5,265,497 A * 11/1993 Curless 74/608
- D366,061 S * 1/1996 Likins et al. D18/57
- D366,304 S * 1/1996 Lewis D21/811

- D374,891 S * 10/1996 Bornhorst et al. D18/57
- D386,231 S * 11/1997 Wei D21/811
- D389,891 S * 1/1998 Kawasaki D21/811
- D421,284 S * 2/2000 Huang D21/811
- D547,336 S * 7/2007 Kai D15/122
- D604,342 S * 11/2009 Lodridge D15/122

* cited by examiner

Primary Examiner—Charles A Rademaker

(57) **CLAIM**

The ornamental design for an engraving machine, as shown and described.

DESCRIPTION

FIG. 1 is a perspective view of an engraving machine showing my new design;

FIG. 2 is a right side elevational view thereof;

FIG. 3 is a top plan view thereof;

FIG. 4 is a front elevational view thereof;

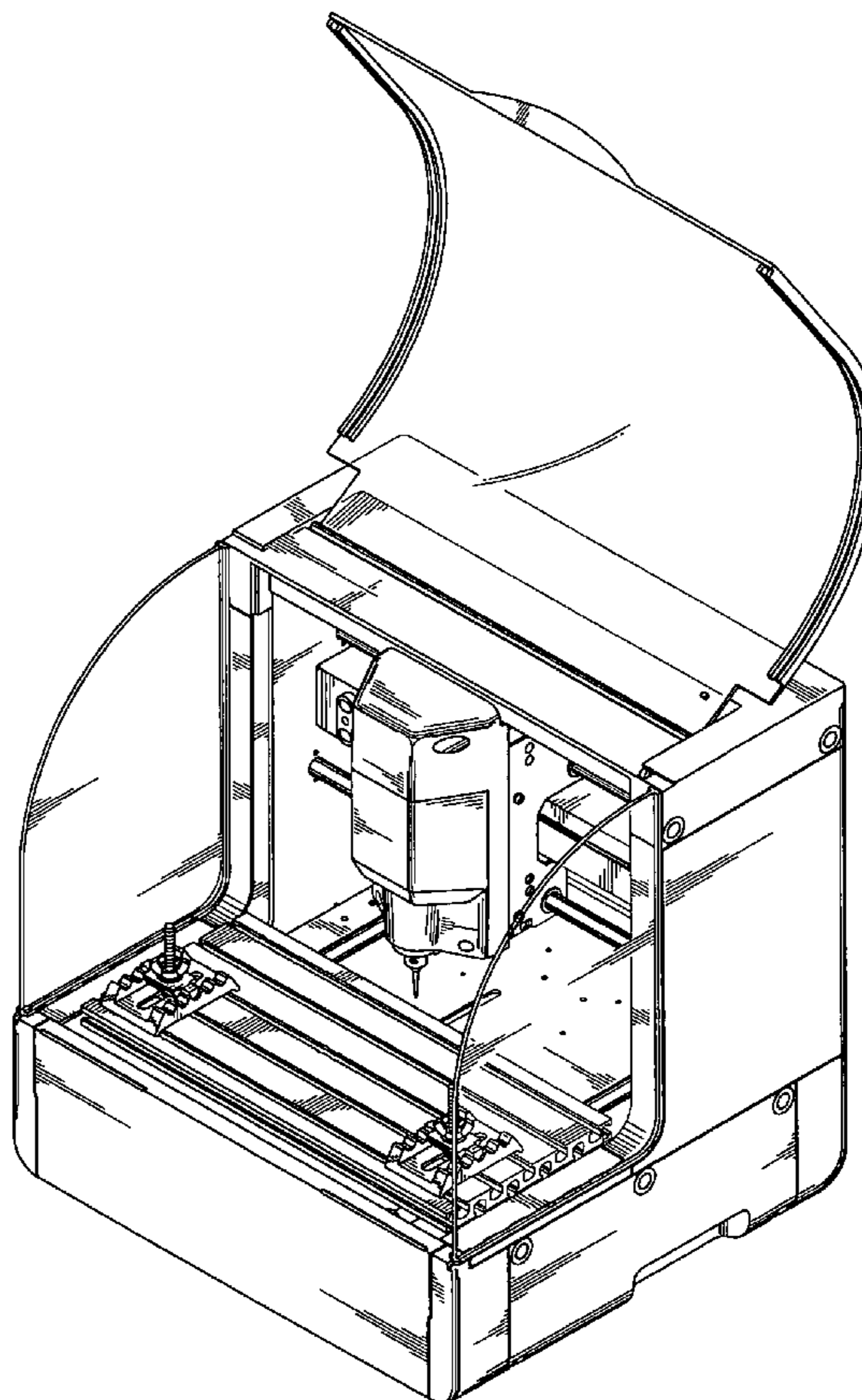
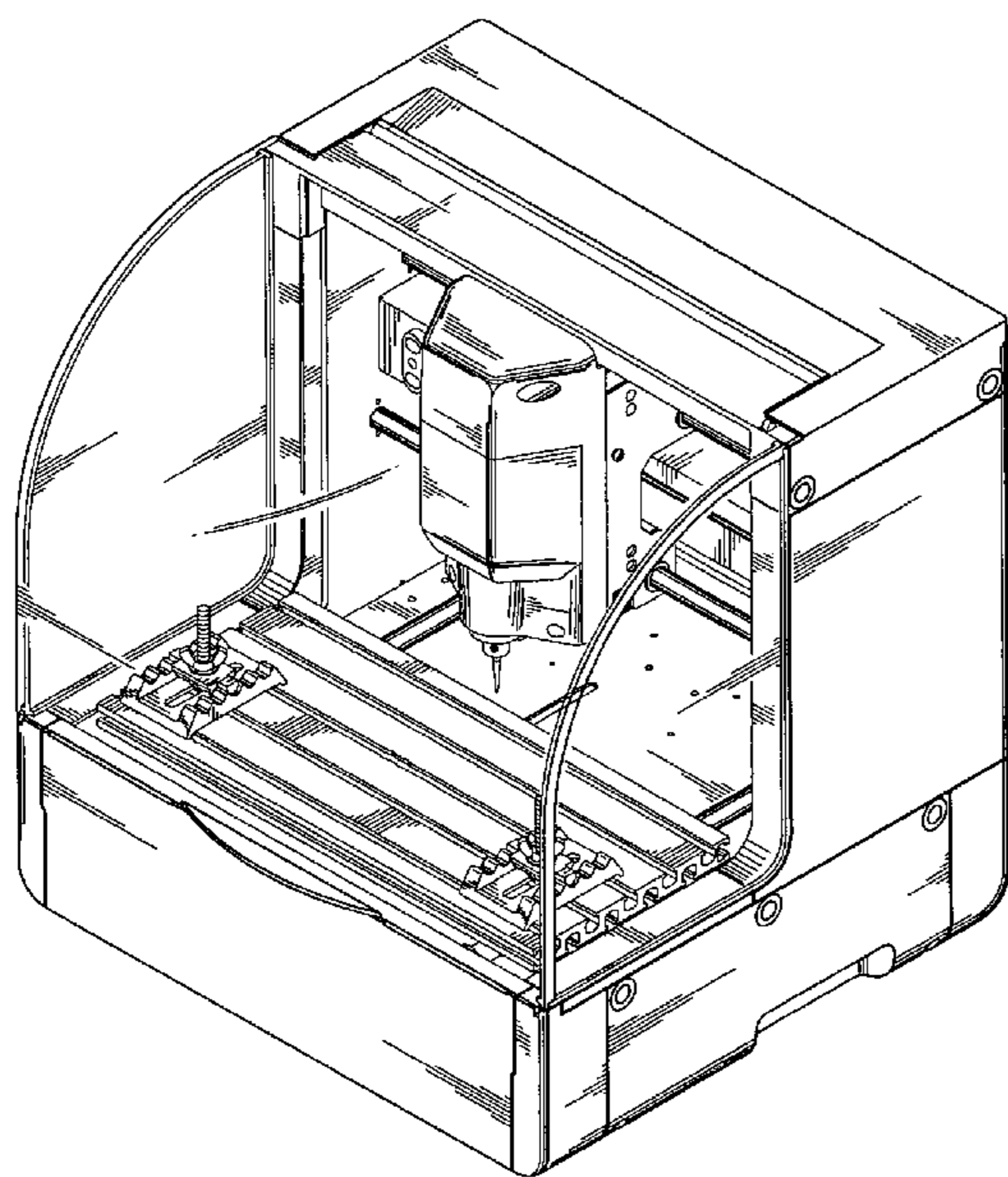
FIG. 5 is a bottom plan view thereof;

FIG. 6 is a left side elevational view thereof; and

FIG. 7 is a rear elevational view thereof; and,

FIG. 8 is a perspective view thereof showing the cover member in an open position.

1 Claim, 8 Drawing Sheets



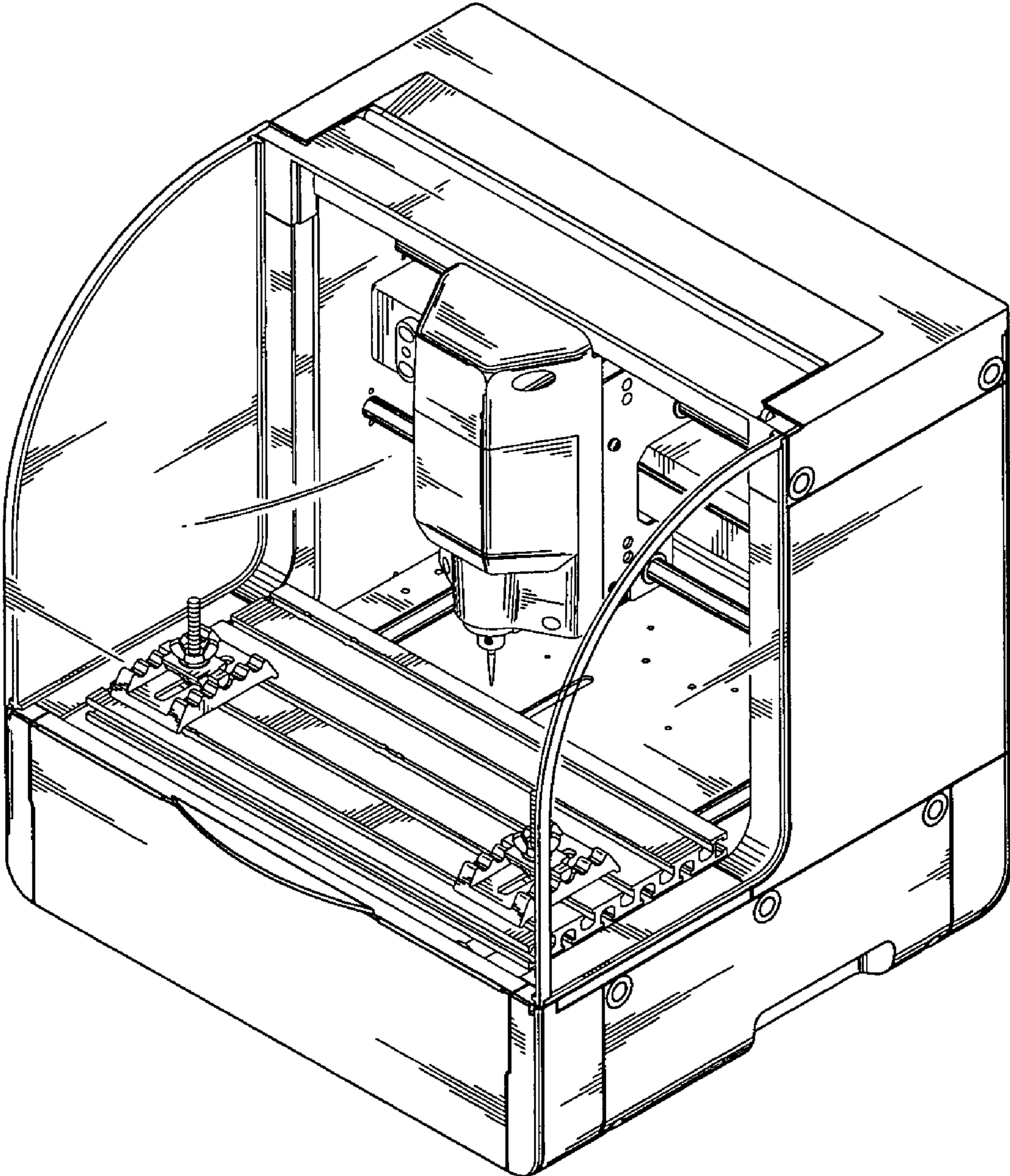


FIG. 1

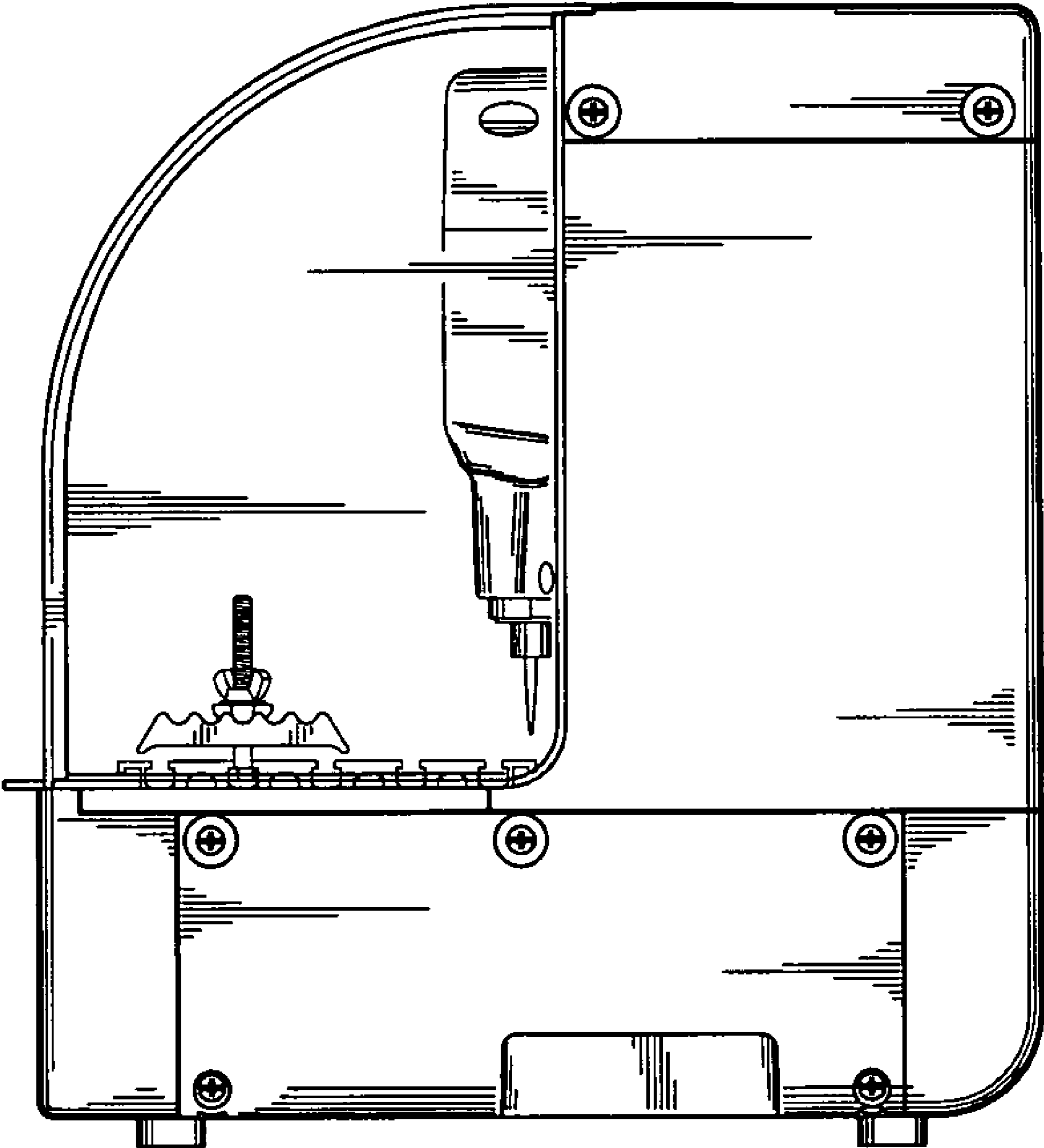


FIG. 2

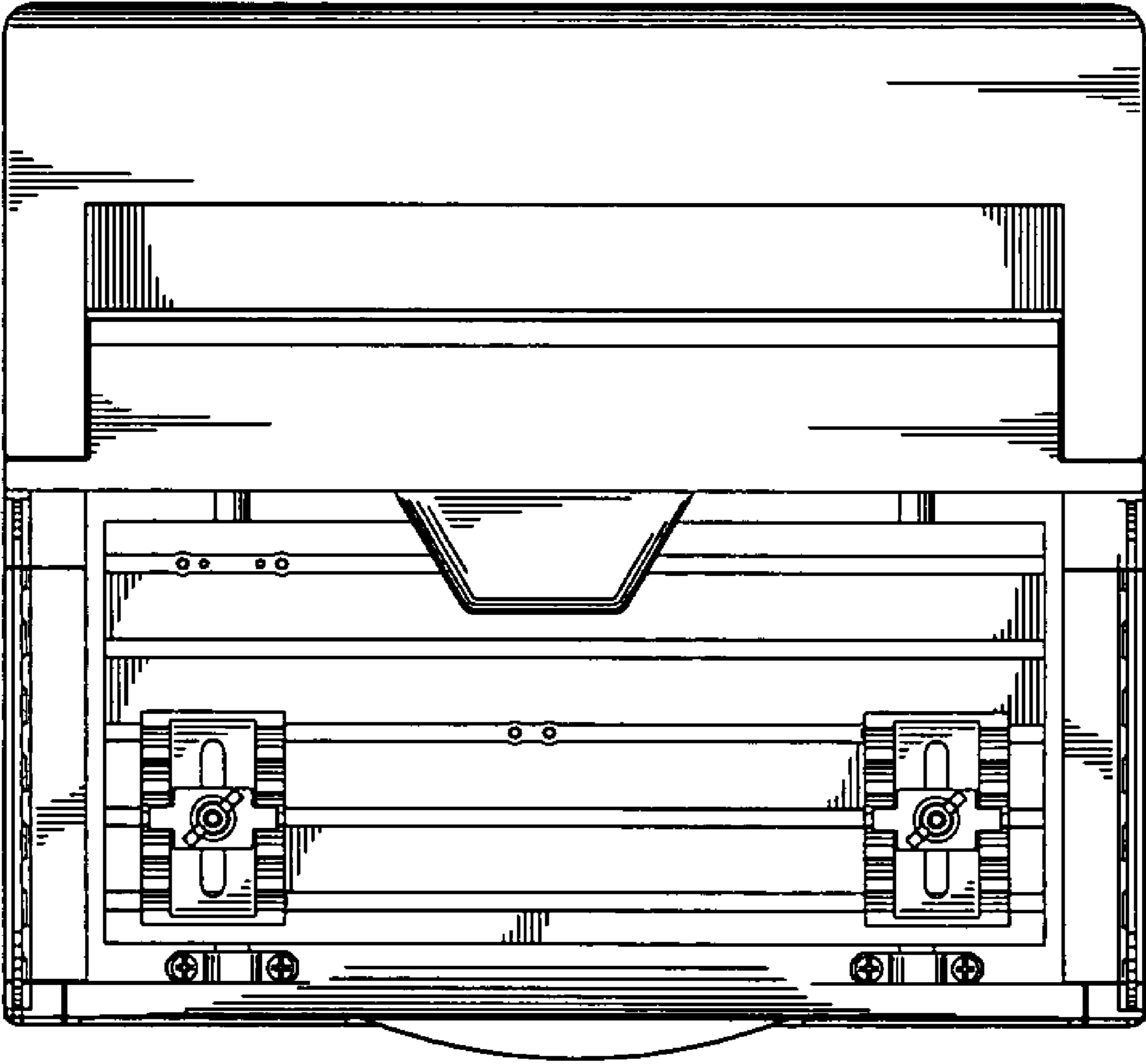


FIG. 3

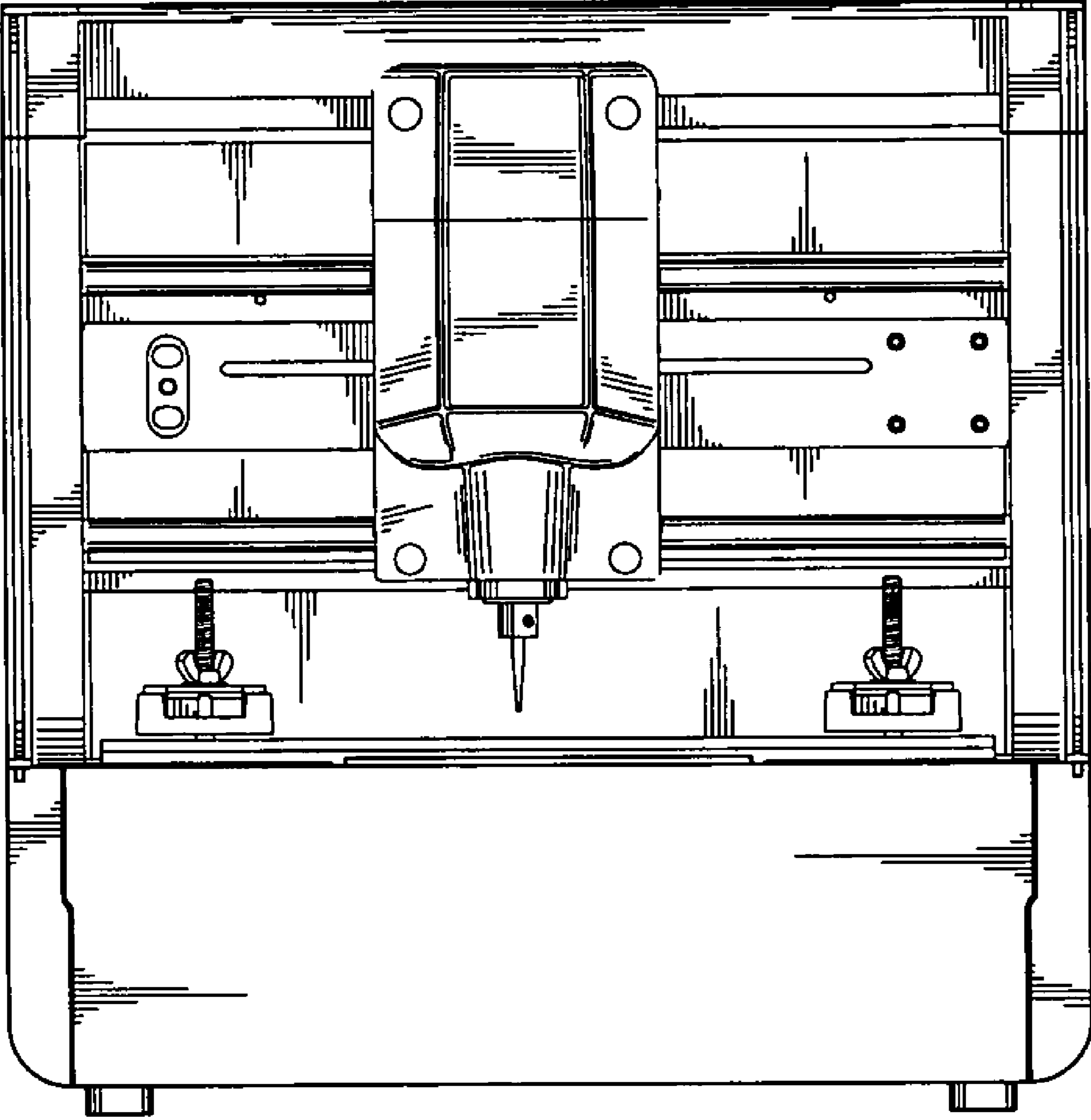


FIG.4

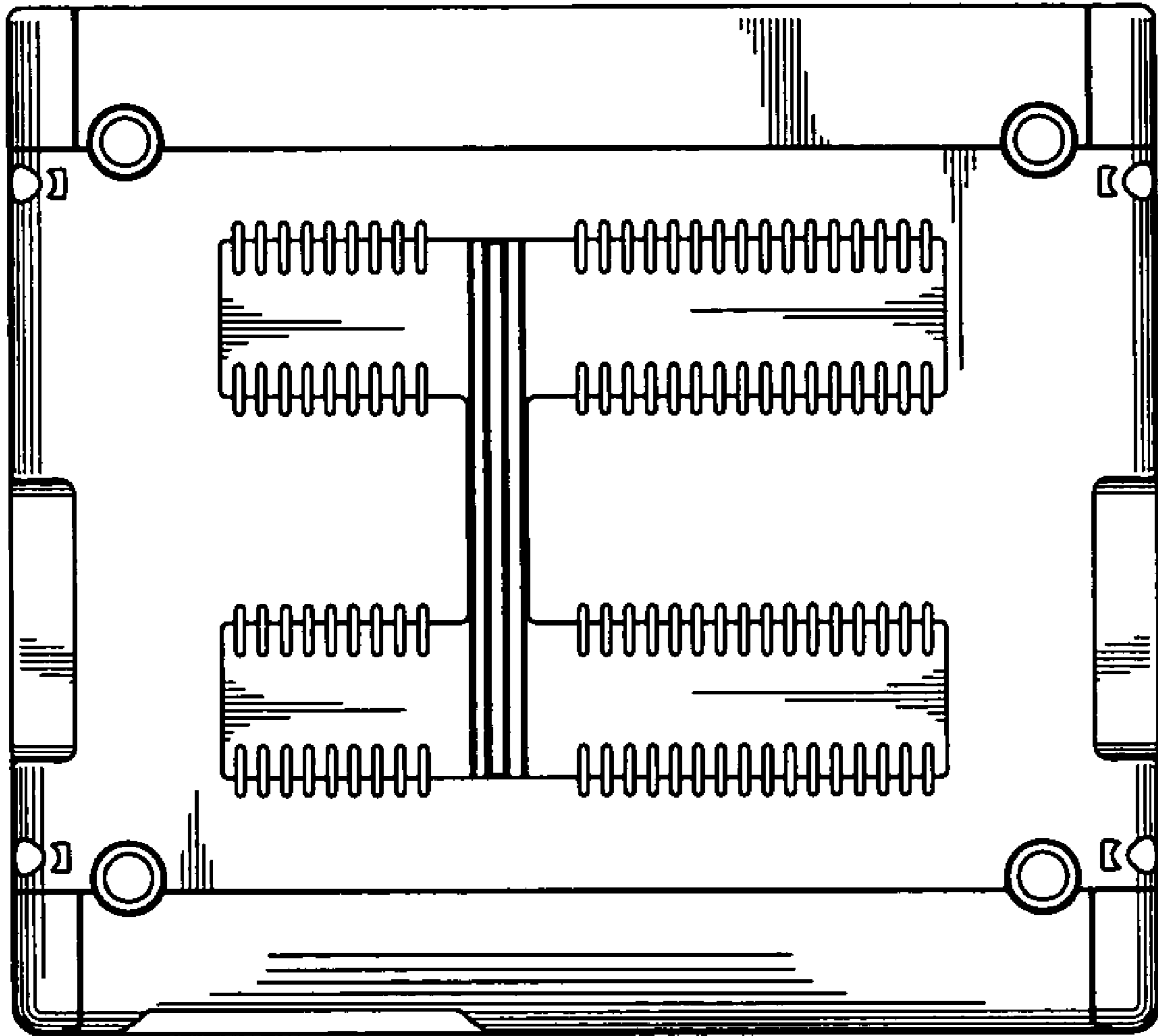


FIG. 5

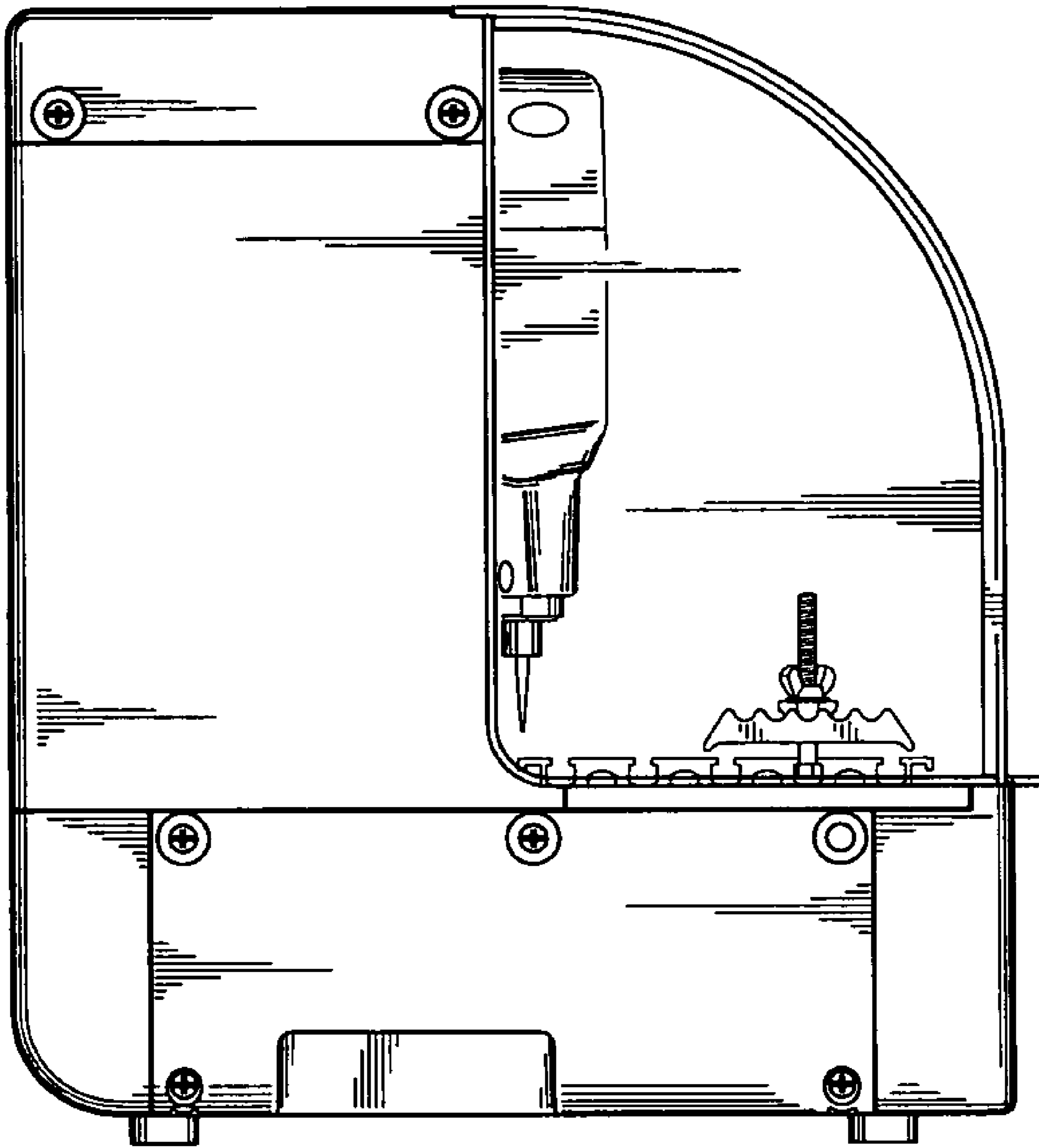


FIG. 6

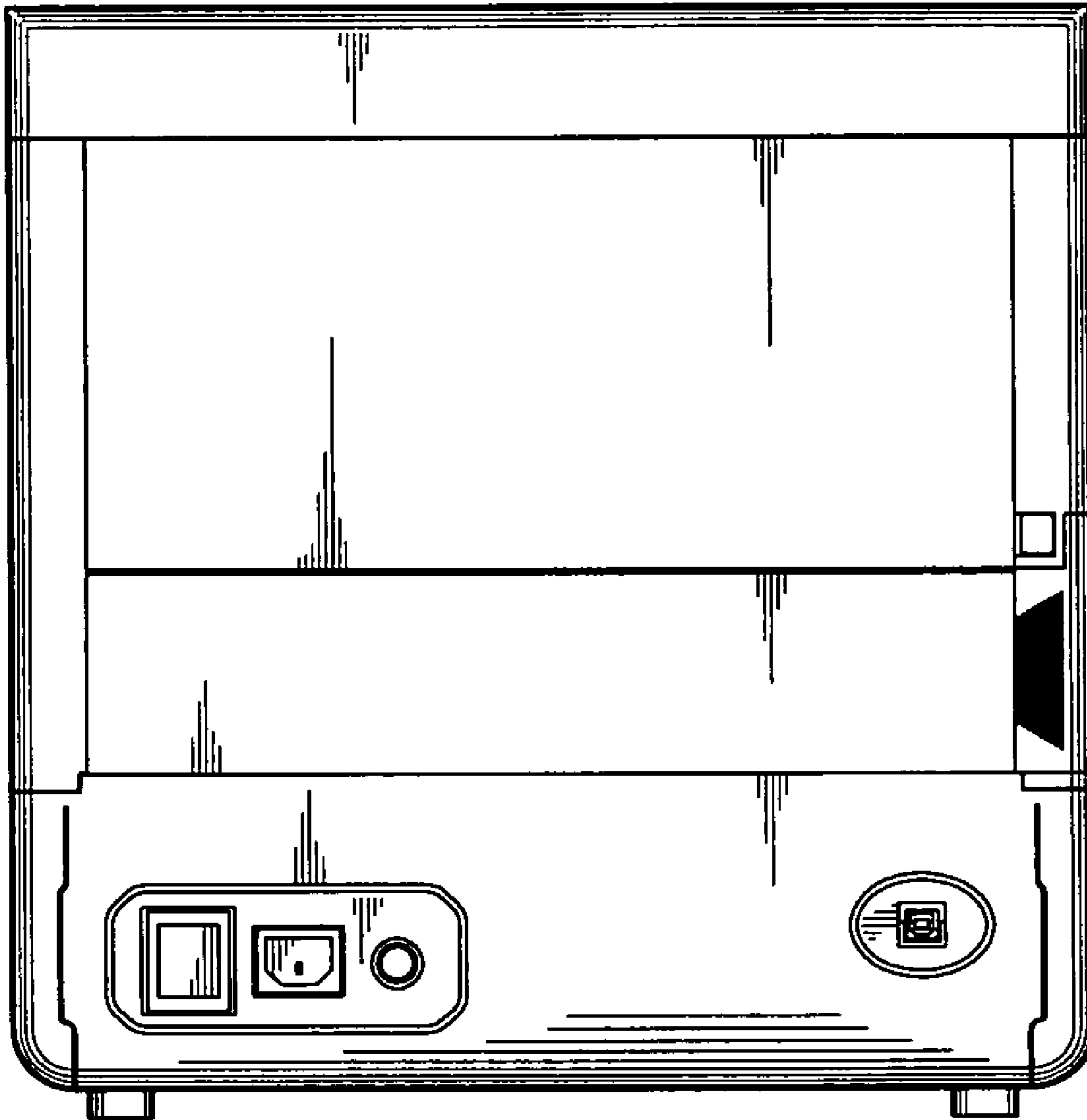


FIG. 7

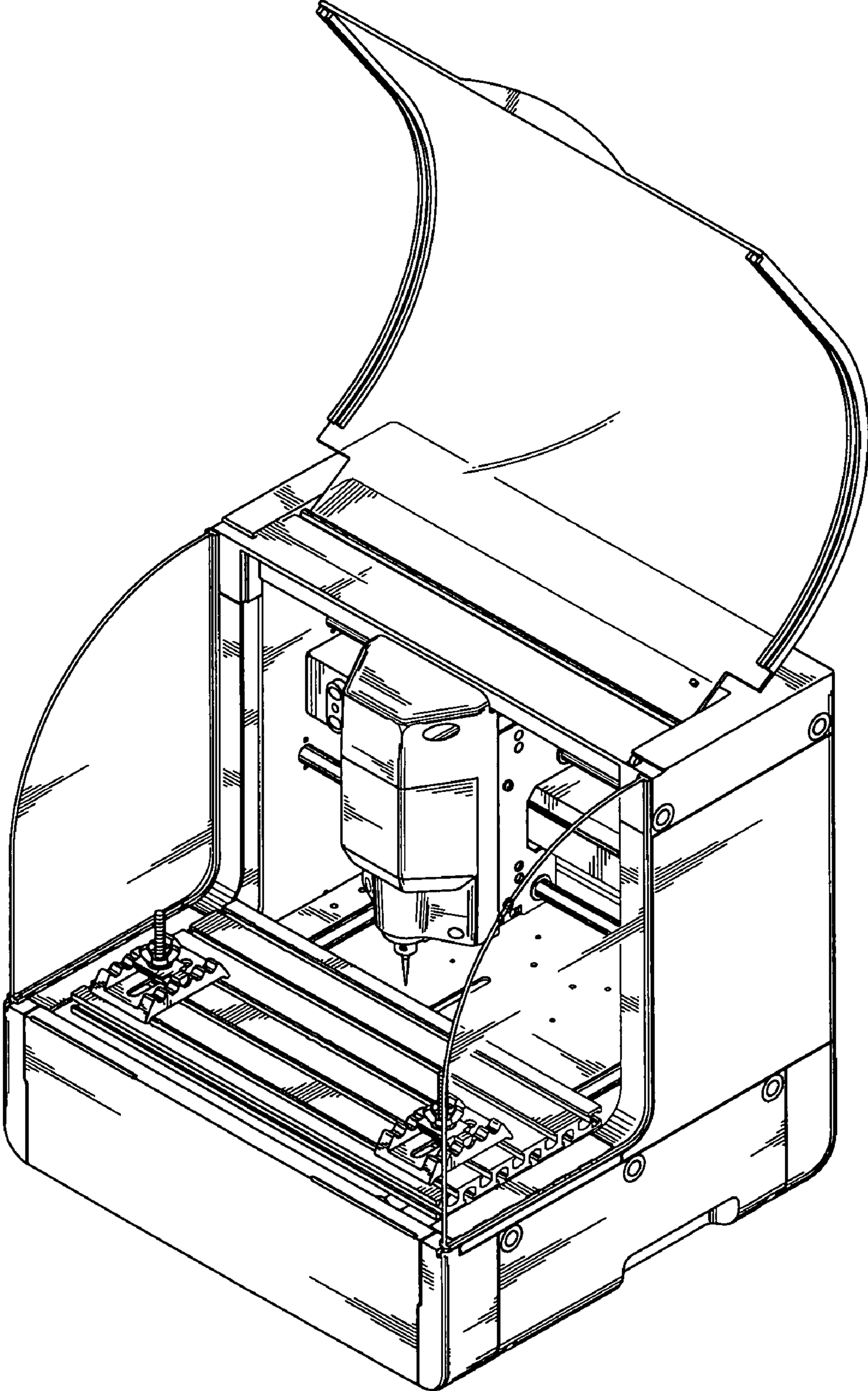


FIG. 8