



US00D619647S

(12) **United States Design Patent**  
**Horito et al.**

(10) **Patent No.:** **US D619,647 S**

(45) **Date of Patent:** **\*\* Jul. 13, 2010**

(54) **SILK SCREENER**

(75) Inventors: **Michael Horito**, Provo, UT (US);  
**Rebecca Segó**, Spanish Fork, UT (US);  
**Lee Croy**, Salt Lake City, UT (US);  
**Janna Budge**, Portland, OR (US);  
**Dayne Tanner**, Spokane, WA (US);  
**Tyler Allan**, Springville, UT (US)

(73) Assignee: **Provo Craft and Novelty, Inc.**, Spanish Fork, UT (US)

(\*\*) Term: **14 Years**

(21) Appl. No.: **29/321,434**

(22) Filed: **Jul. 16, 2008**

(51) **LOC (9) Cl.** ..... **18-02**

(52) **U.S. Cl.** ..... **D18/50; D14/425**

(58) **Field of Classification Search** ..... D18/14,  
D18/18, 36, 46, 50, 56, 99; D14/389; 101/33,  
101/113, 130–131, 134.5

See application file for complete search history.

(56) **References Cited**

U.S. PATENT DOCUMENTS

D302,007 S \* 7/1989 Hara et al. .... D14/425  
D307,298 S \* 4/1990 Hikawa ..... D18/36  
D366,467 S \* 1/1996 Masujima et al. .... D14/425

D440,571 S \* 4/2001 Omuro et al. .... D14/425  
D462,963 S \* 9/2002 Yamano ..... D14/425  
D539,284 S \* 3/2007 Yamano et al. .... D14/425  
D552,097 S \* 10/2007 Ishizawa et al. .... D14/425  
D558,262 S \* 12/2007 Hong et al. .... D18/50

\* cited by examiner

*Primary Examiner*—Ian Simmons

*Assistant Examiner*—Dana L Sipos

(74) *Attorney, Agent, or Firm*—Honigman Miller Schwartz and Cohn LLP

(57) **CLAIM**

The ornamental design for a silk screener, as shown and described.

**DESCRIPTION**

FIG. 1 is a top, front perspective view of a silk screener of the present design;

FIG. 2 is a top, rear perspective view thereof;

FIG. 3 is a front elevation view thereof;

FIG. 4 is a rear elevation view thereof;

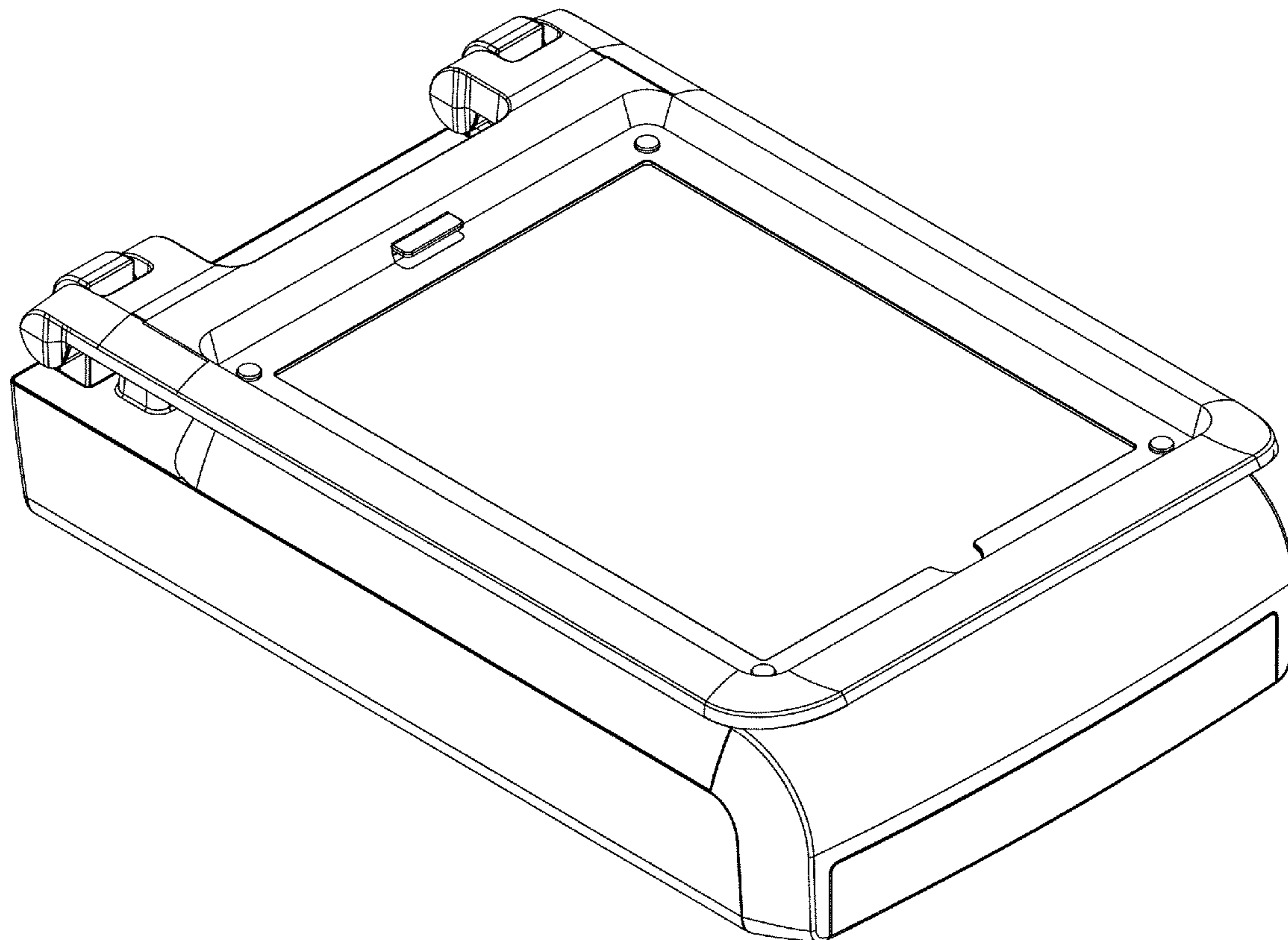
FIG. 5 is a left side elevation view thereof;

FIG. 6 is a right side elevation view thereof;

FIG. 7 is a top plan view thereof; and,

FIG. 8 is a bottom plan view thereof.

**1 Claim, 7 Drawing Sheets**



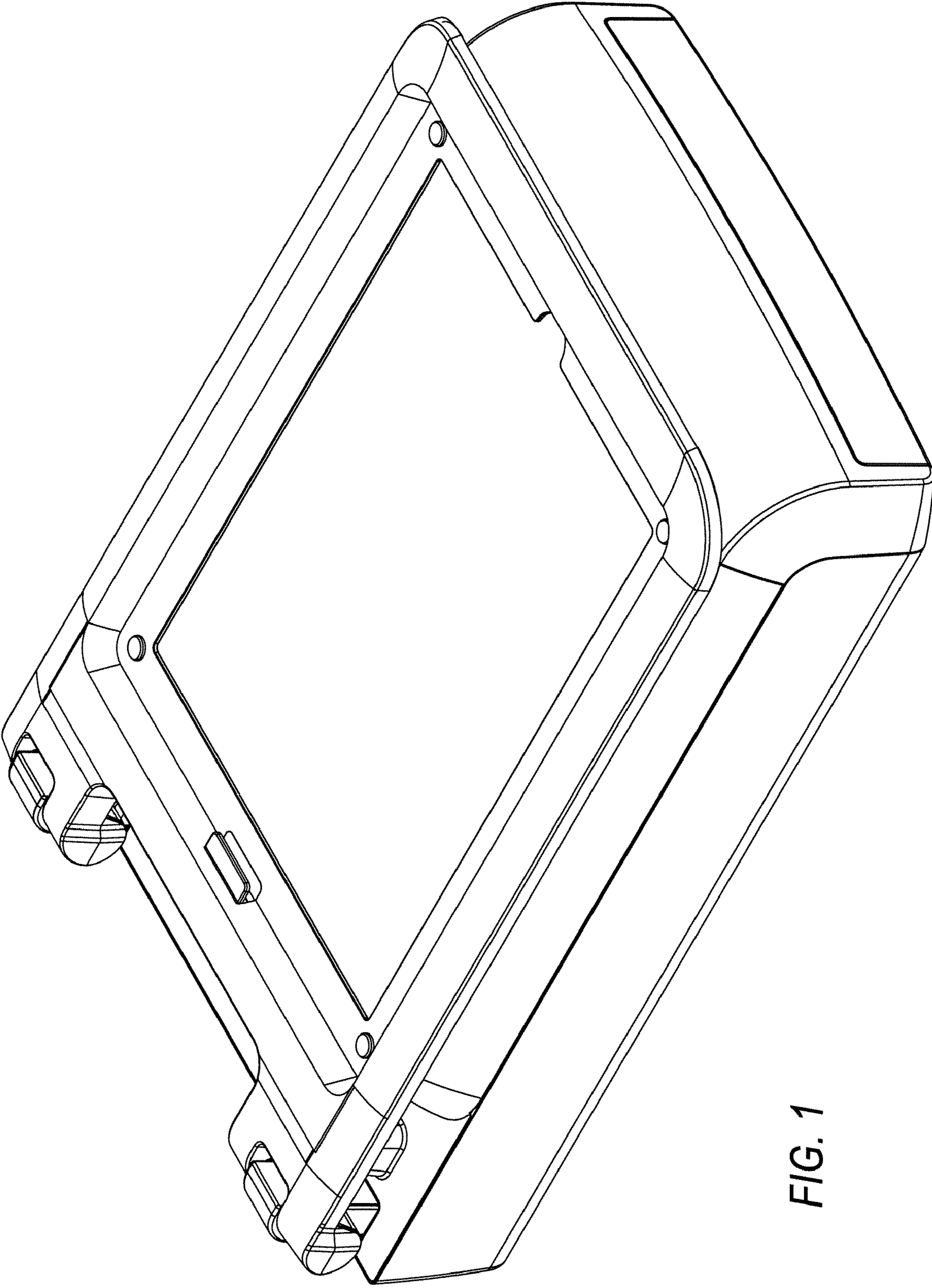


FIG. 1

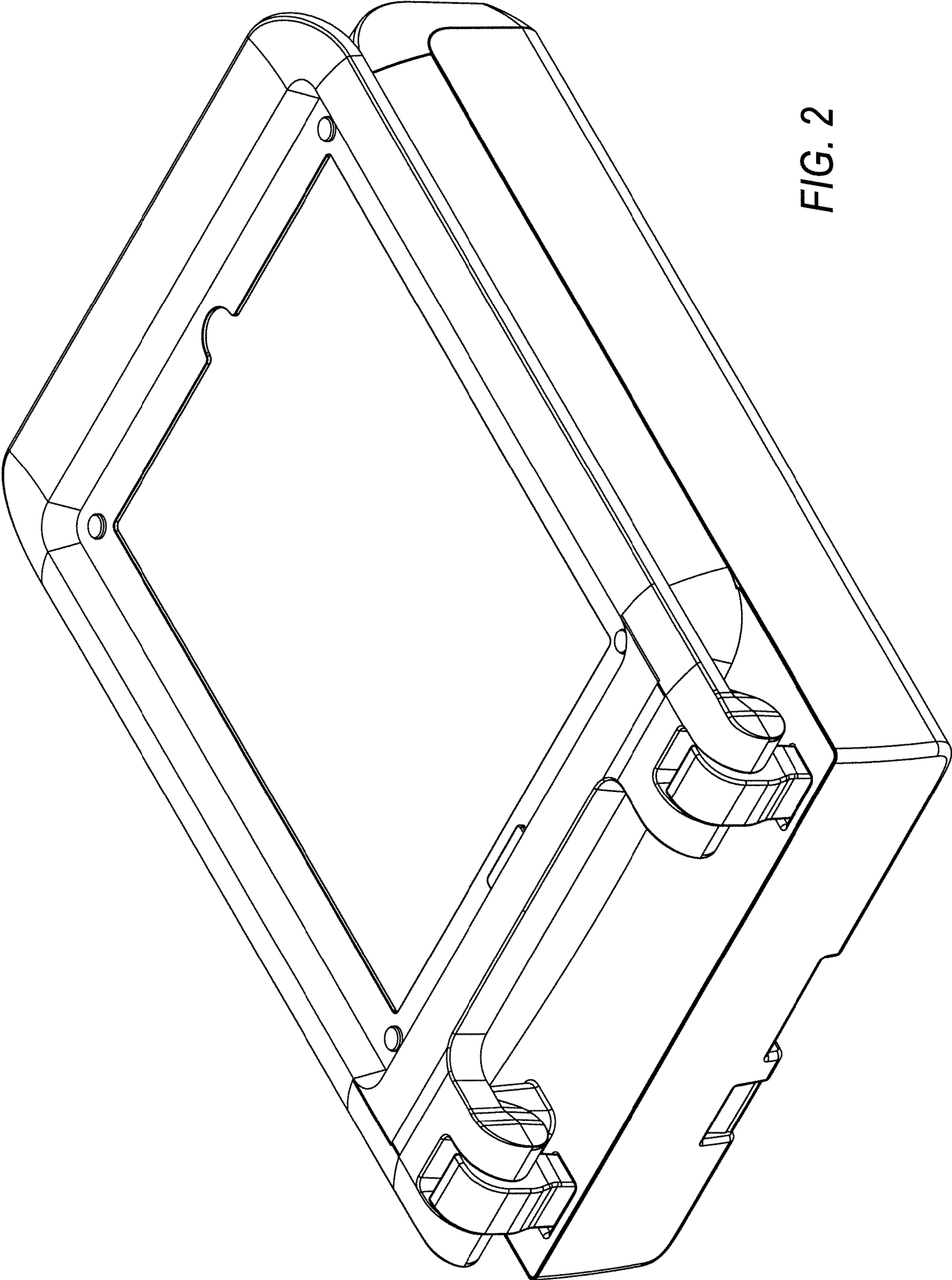


FIG. 2

FIG. 3

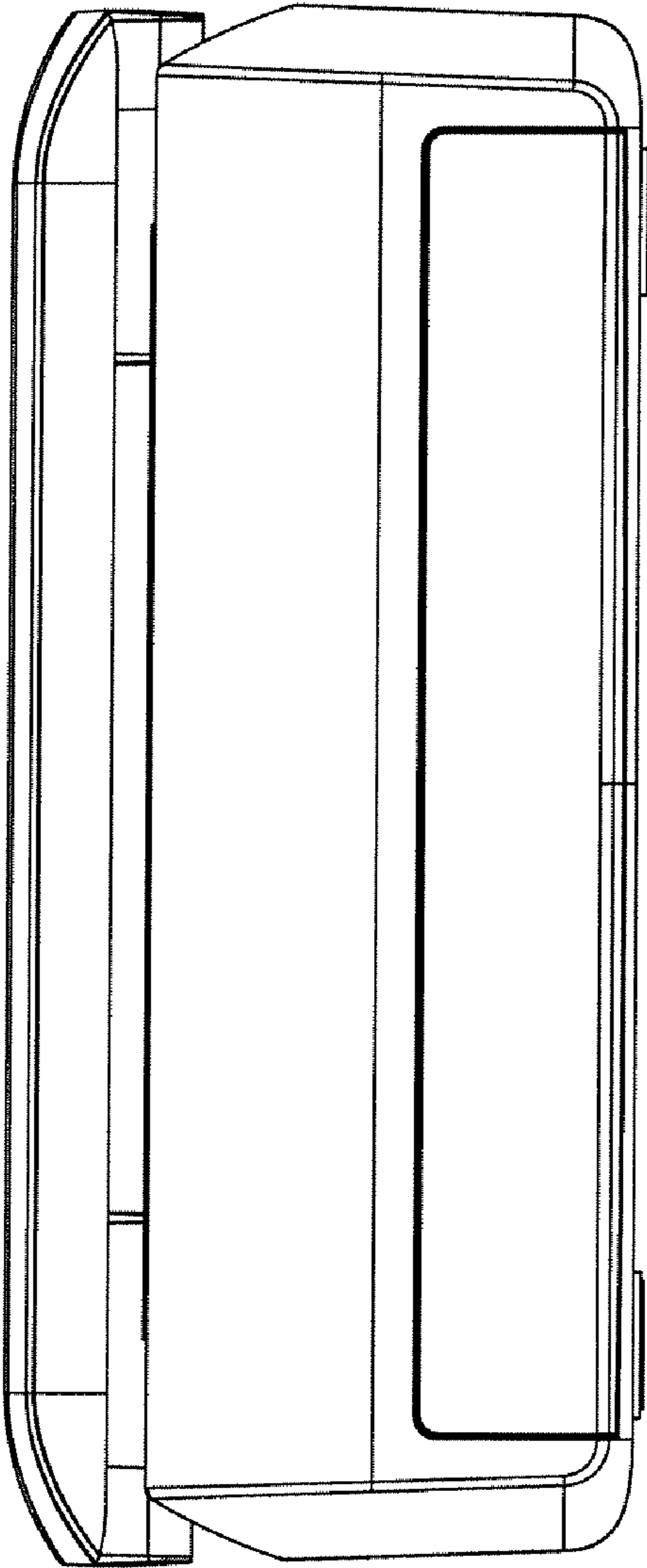
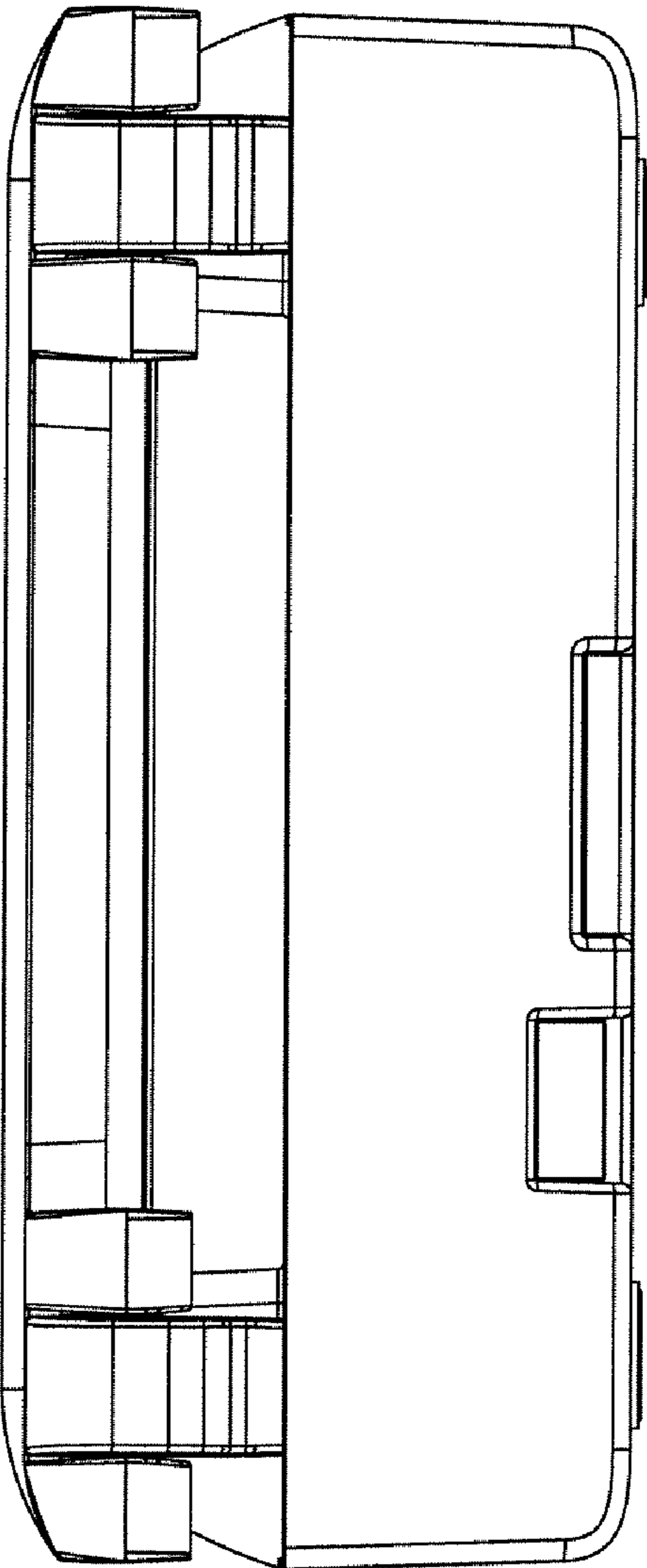


FIG. 4



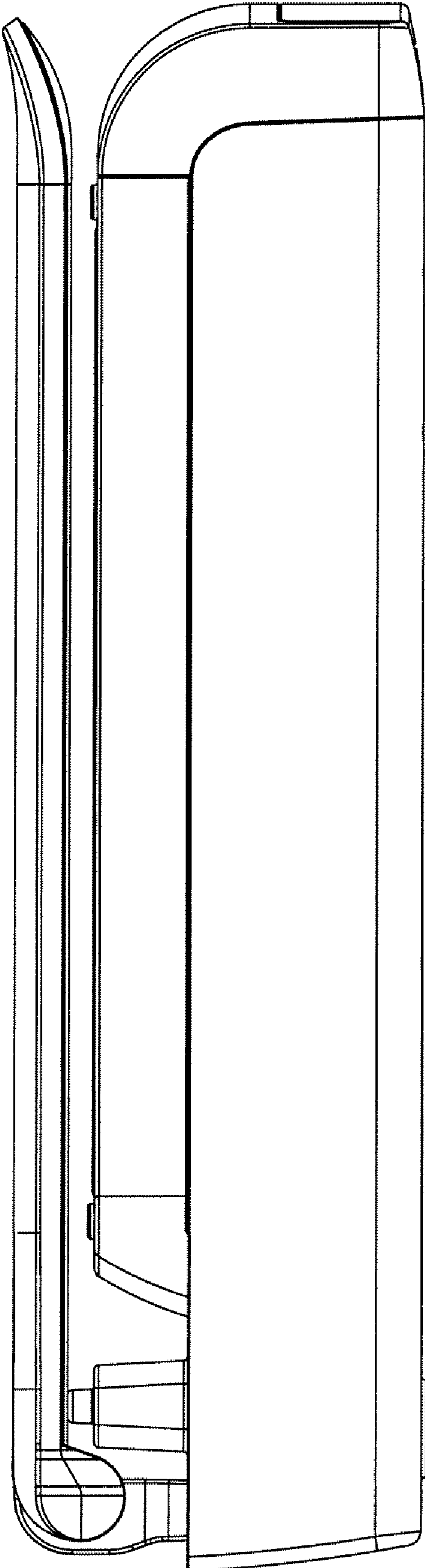


FIG. 5

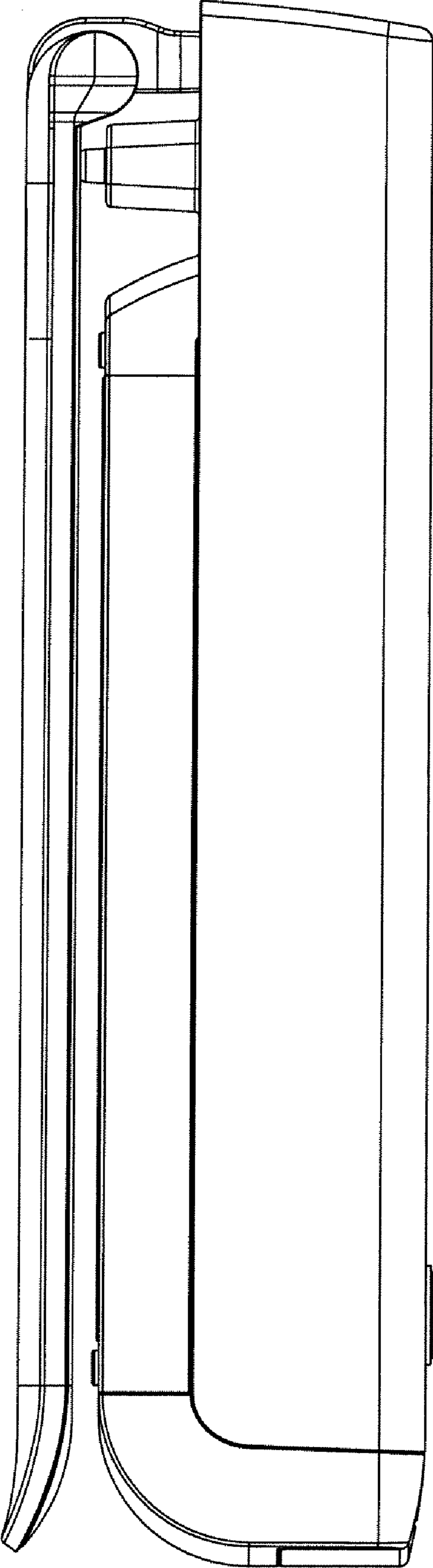


FIG. 6

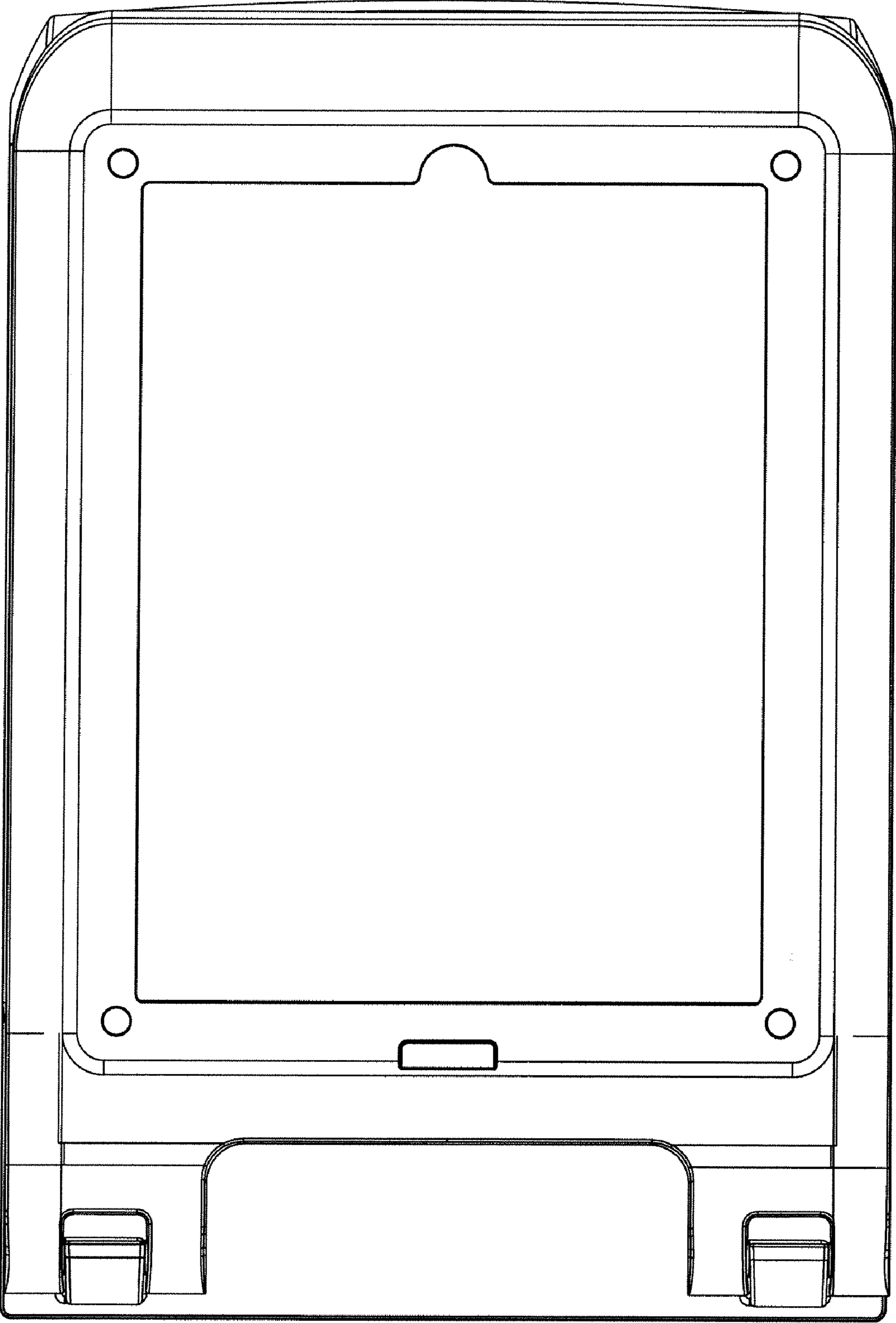


FIG. 7

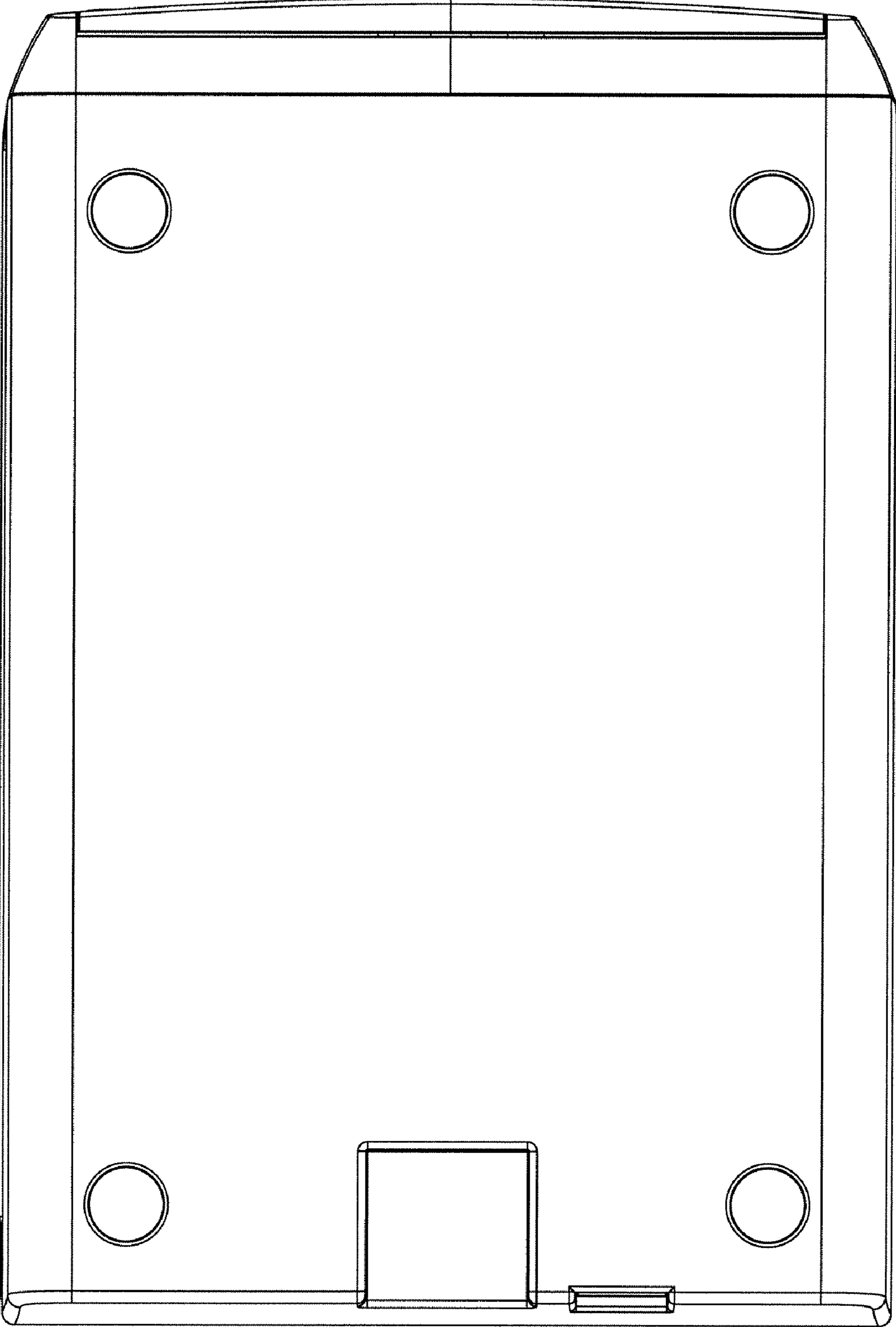


FIG. 8