



US00D619644S

(12) **United States Design Patent**
Houman et al.

(10) **Patent No.:** **US D619,644 S**
(45) **Date of Patent:** **** Jul. 13, 2010**

(54) **DRUM CARTRIDGE**

(75) Inventors: **Takeshi Houman**, Fukuoka-ken (JP);
Kenji Fukuta, Fukuoka-ken (JP)

(73) Assignee: **Panasonic Corporation**, Osaka (JP)

(**) Term: **14 Years**

(21) Appl. No.: **29/341,380**

(22) Filed: **Aug. 4, 2009**

(51) **LOC (9) Cl.** **16-03**

(52) **U.S. Cl.** **D18/43**

(58) **Field of Classification Search** D18/36-40,
D18/43-44, 46-50, 56, 14, 18, 99; D14/471;
222/DIG. 1; 347/197, 222; 399/24-28, 107-112,
399/119, 121-122, 222-224

See application file for complete search history.

(56) **References Cited**

U.S. PATENT DOCUMENTS

D332,962 S	2/1993	Kikuchi et al.	
D354,980 S	1/1995	Nakajima et al.	
D374,250 S	10/1996	Yabuki et al.	
D377,662 S	1/1997	Ootani et al.	
D378,830 S *	4/1997	Kim	D18/43
D394,450 S *	5/1998	Katoh et al.	D18/43
D410,676 S	6/1999	Kurabayashi et al.	
D423,559 S *	4/2000	Suzuki et al.	D18/40
D447,511 S	9/2001	Kimura et al.	
D471,583 S	3/2003	Okabe et al.	
D507,295 S	7/2005	Ishii et al.	
D509,239 S	9/2005	Ishii et al.	
D521,545 S	5/2006	Ishii et al.	
D522,564 S	6/2006	Ishii et al.	
D523,894 S	6/2006	Ishii et al.	
D523,895 S	6/2006	Ishii et al.	

D523,896 S	6/2006	Ishii et al.	
D524,360 S	7/2006	Konishi	
D547,368 S	7/2007	Han	
D550,763 S	9/2007	Ishikawa et al.	
D550,764 S *	9/2007	Ishikawa et al.	D18/43
D550,765 S *	9/2007	Ishikawa et al.	D18/43
D551,285 S	9/2007	Ishikawa et al.	
D551,286 S	9/2007	Han	
D554,696 S *	11/2007	Long	D18/43
D555,193 S	11/2007	Choi	
D594,899 S	6/2009	Ogasawara et al.	
D594,900 S	6/2009	Ogasawara et al.	
D595,343 S *	6/2009	Ishikawa et al.	D18/43
D601,184 S *	9/2009	Ogasawara et al.	D18/43

* cited by examiner

Primary Examiner—Ian Simmons

Assistant Examiner—Dana L Sipos

(74) *Attorney, Agent, or Firm*—Brinks Hofer Gilson & Lione

(57) **CLAIM**

We claim the ornamental design for a drum cartridge, as shown and described.

DESCRIPTION

FIG. 1 is a top perspective view of a drum cartridge of the present invention;

FIG. 2 is a bottom perspective view thereof;

FIG. 3 is a front view thereof;

FIG. 4 is a rear view thereof;

FIG. 5 is a first side view thereof;

FIG. 6 is a second side view thereof;

FIG. 7 is a top view thereof; and,

FIG. 8 is a bottom view thereof.

1 Claim, 8 Drawing Sheets

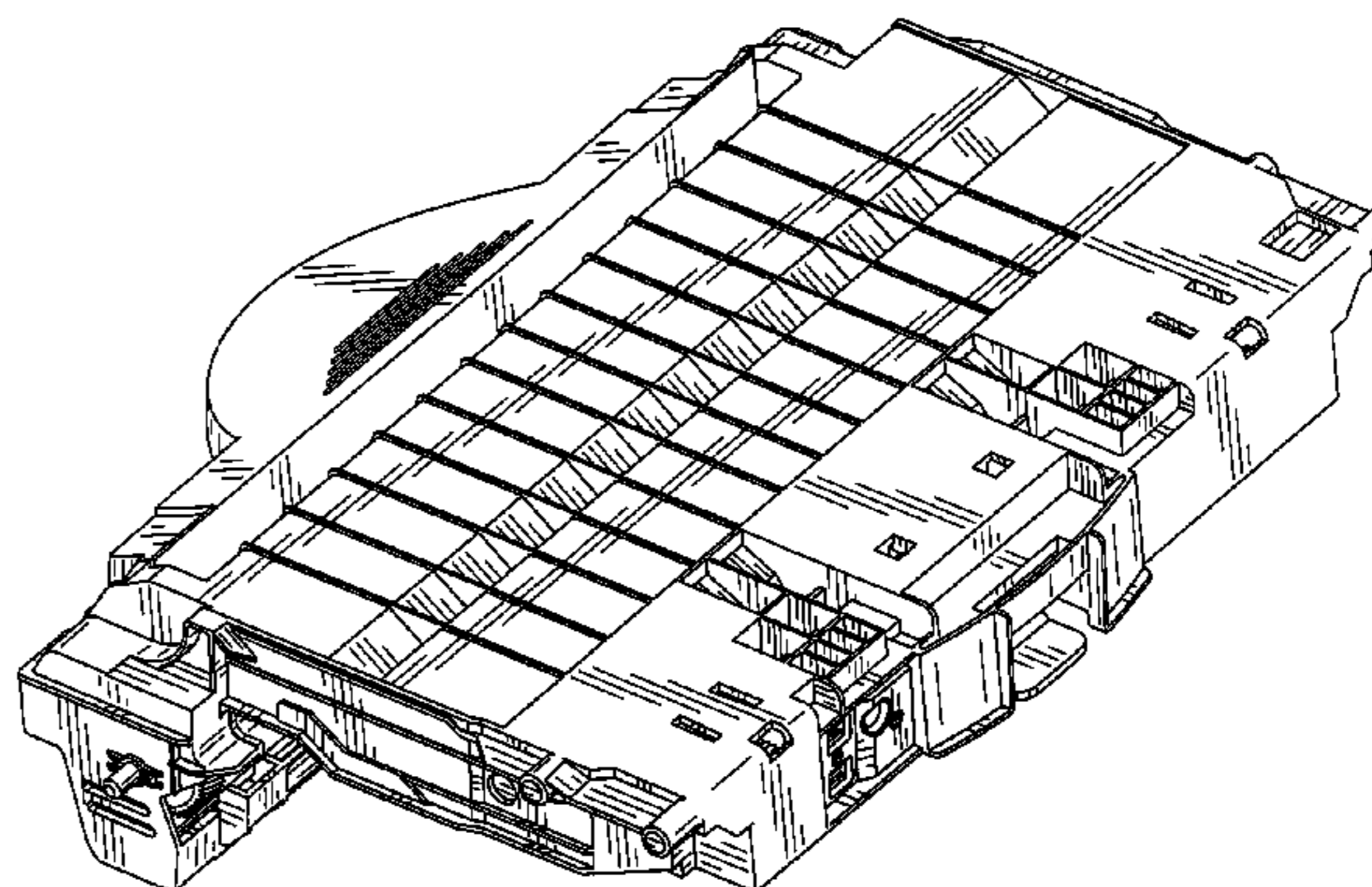
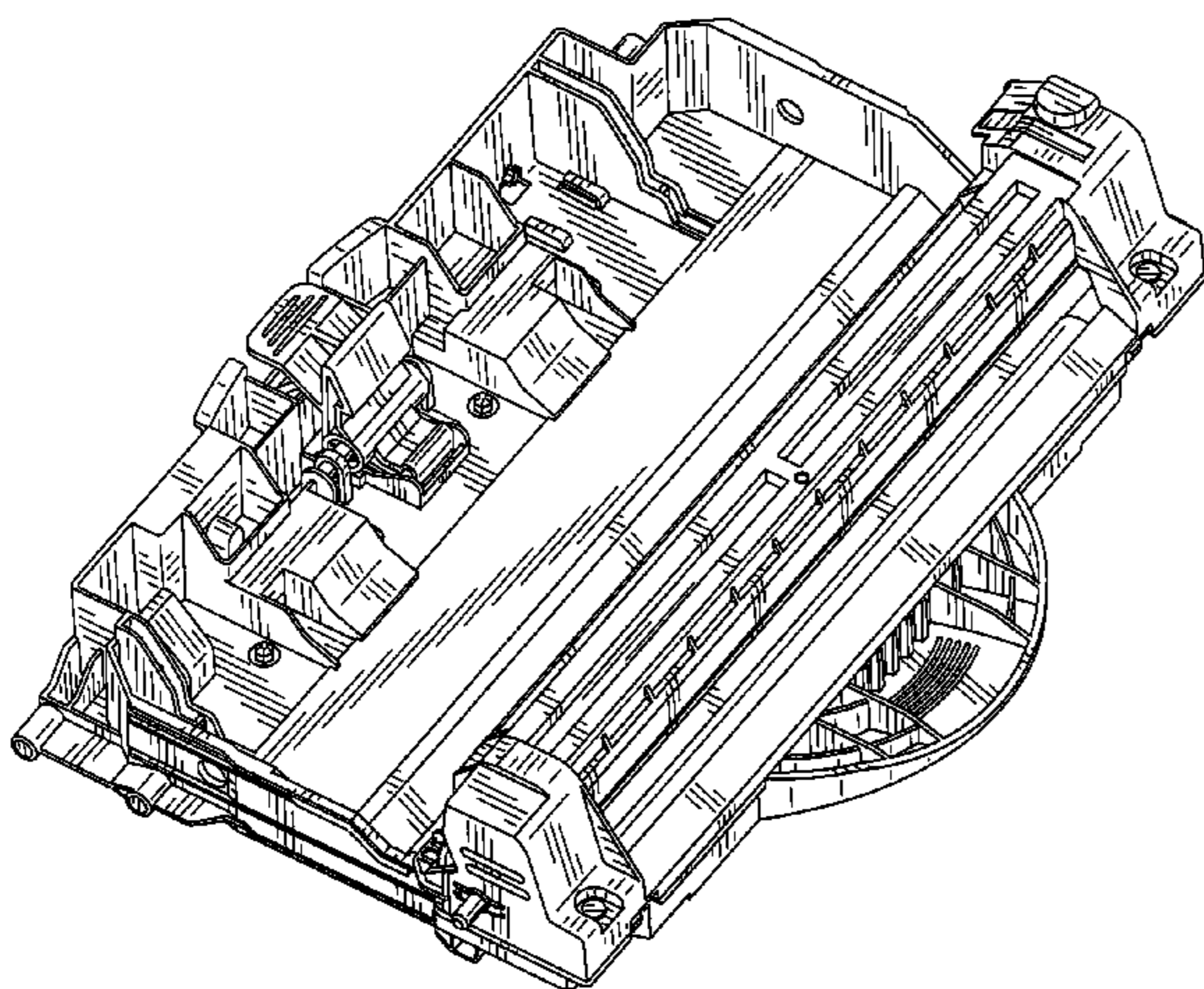


FIG.1

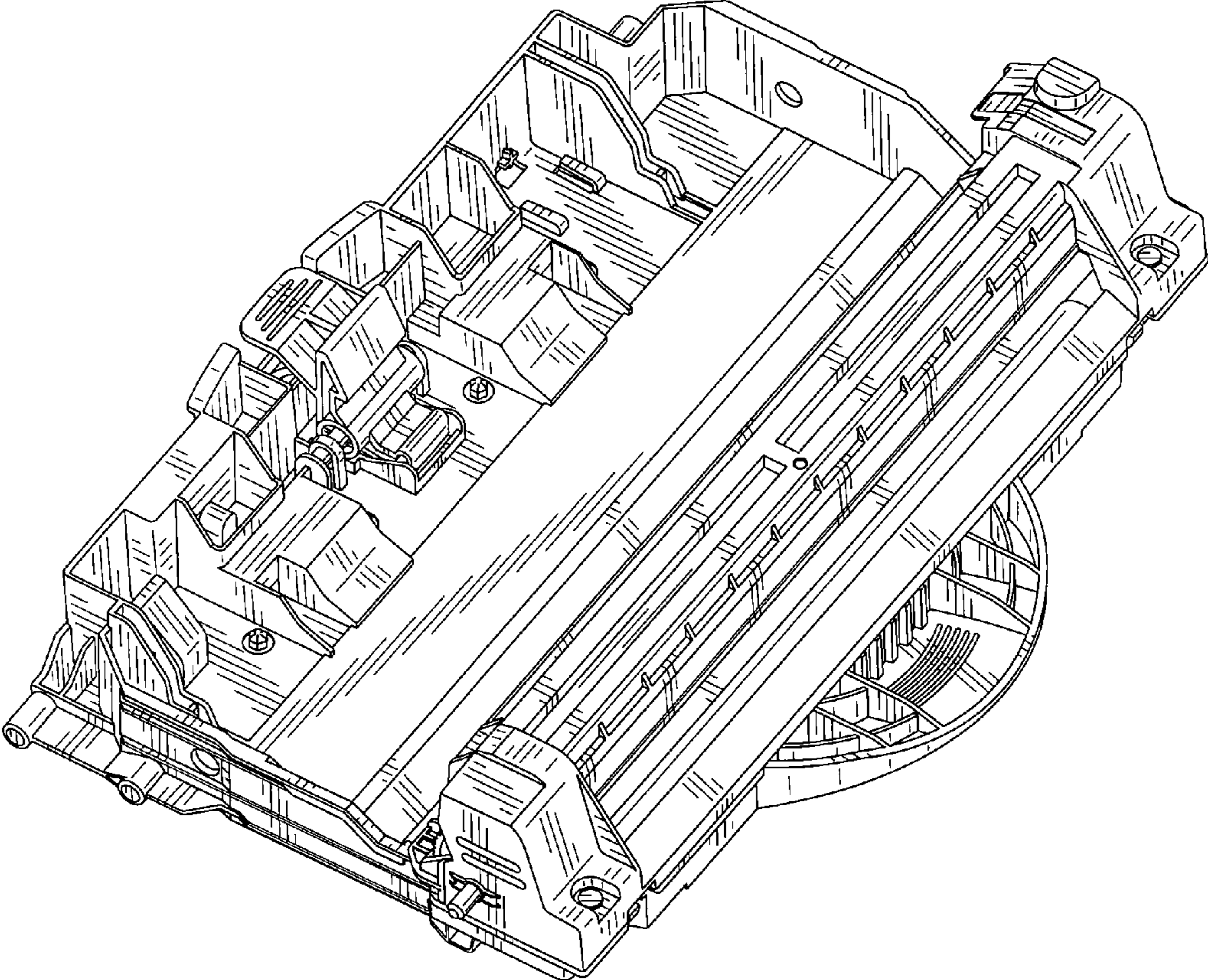


FIG.2

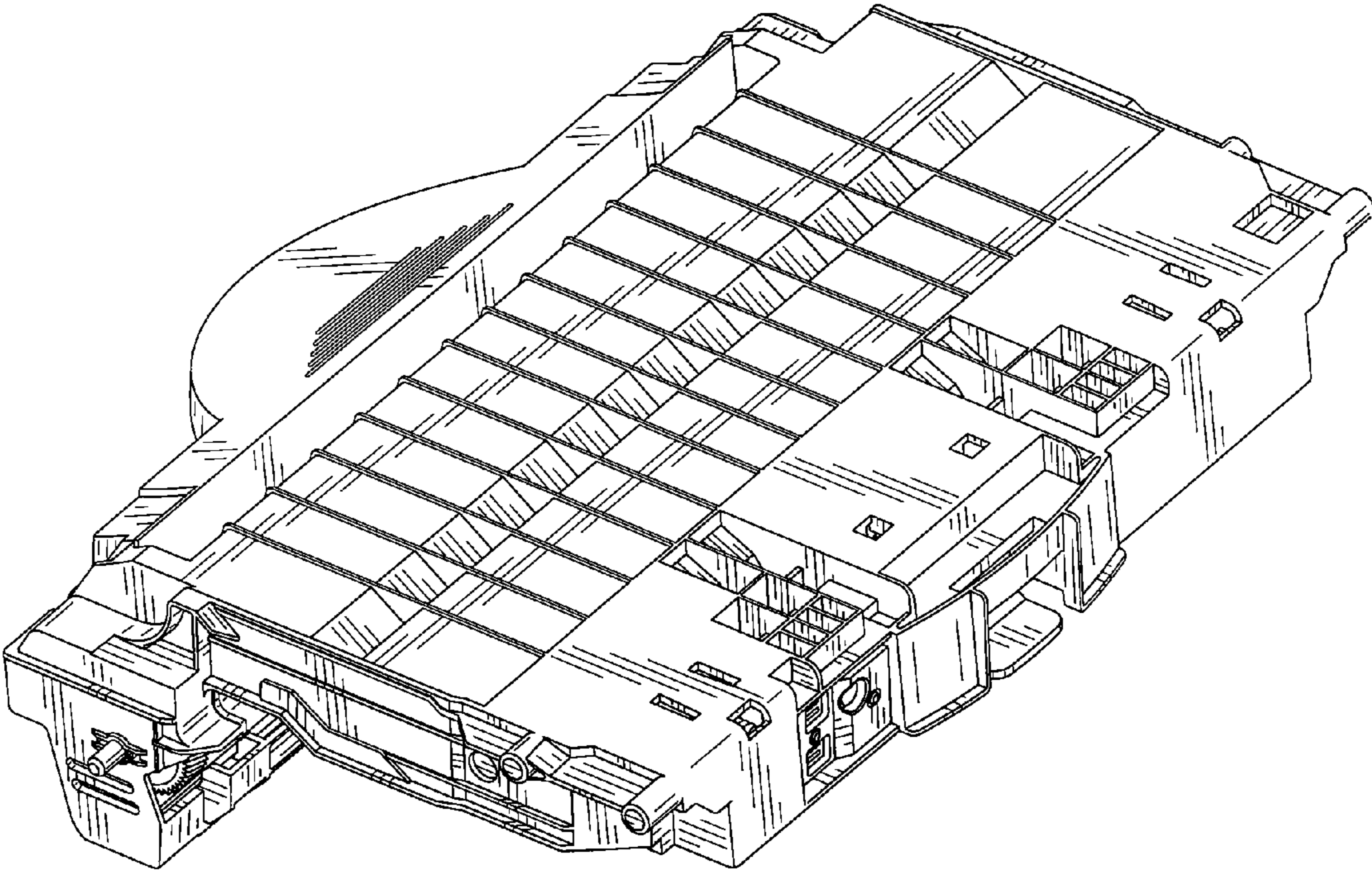


FIG.3

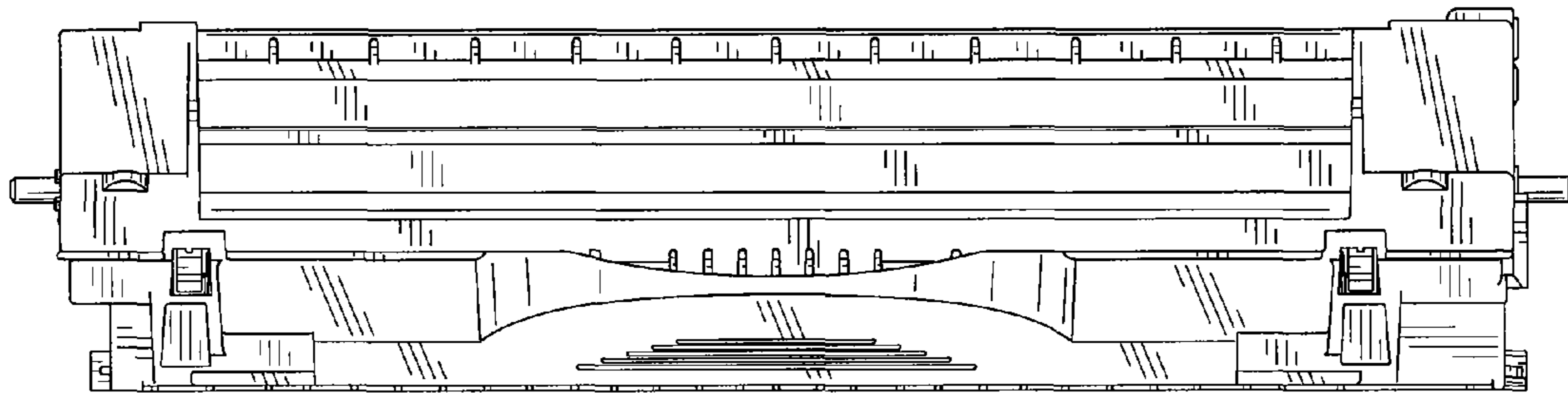


FIG.4

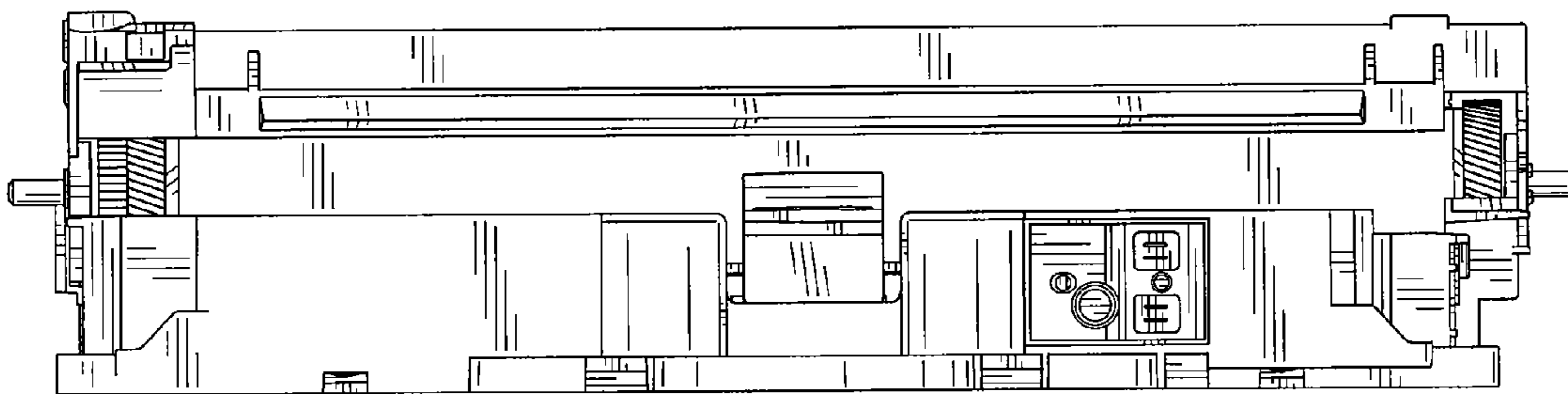


FIG.5

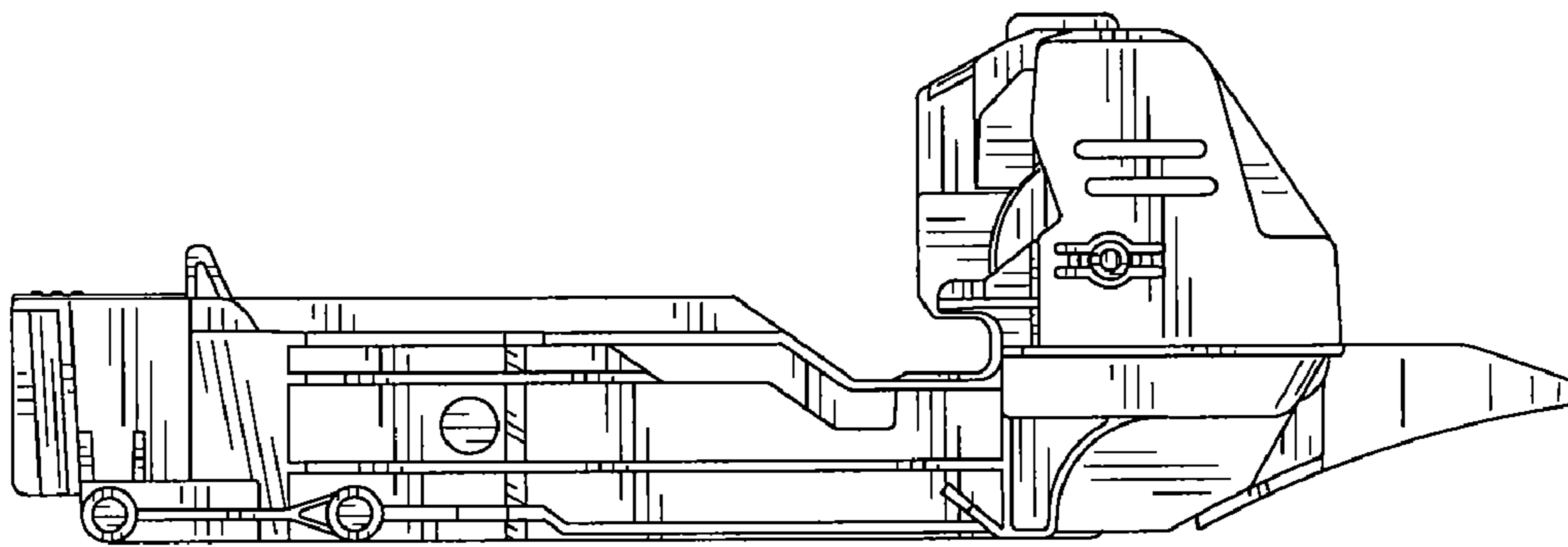


FIG.6

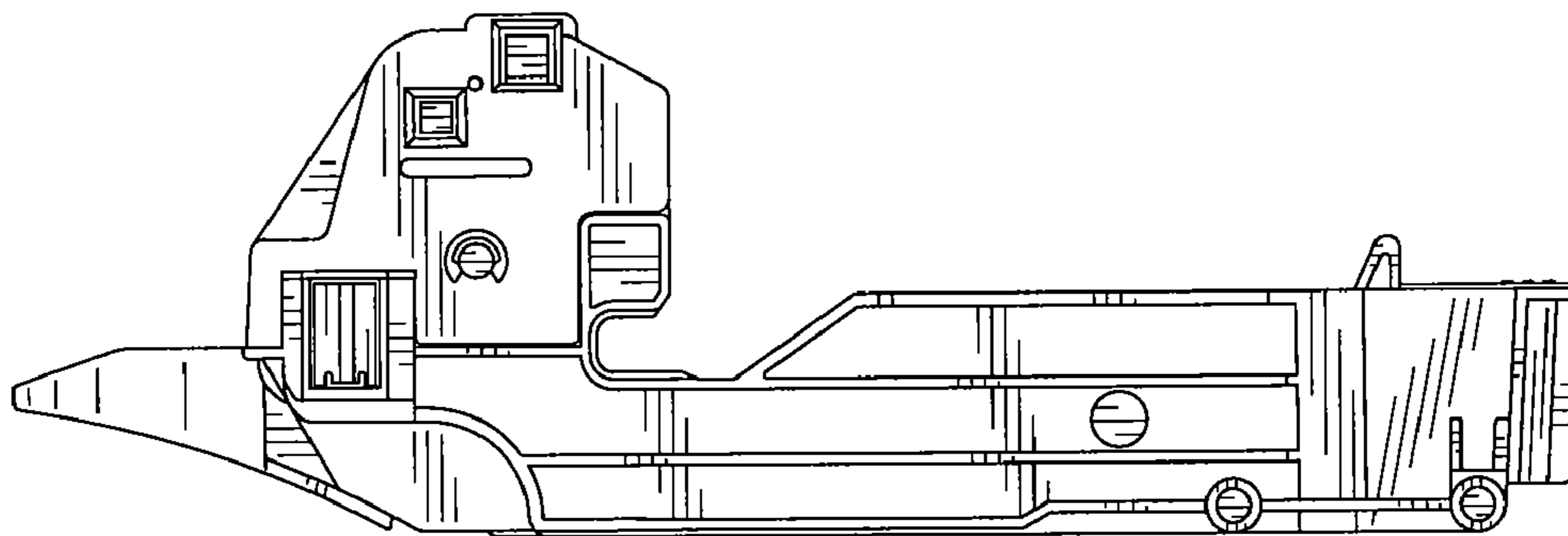


FIG.7

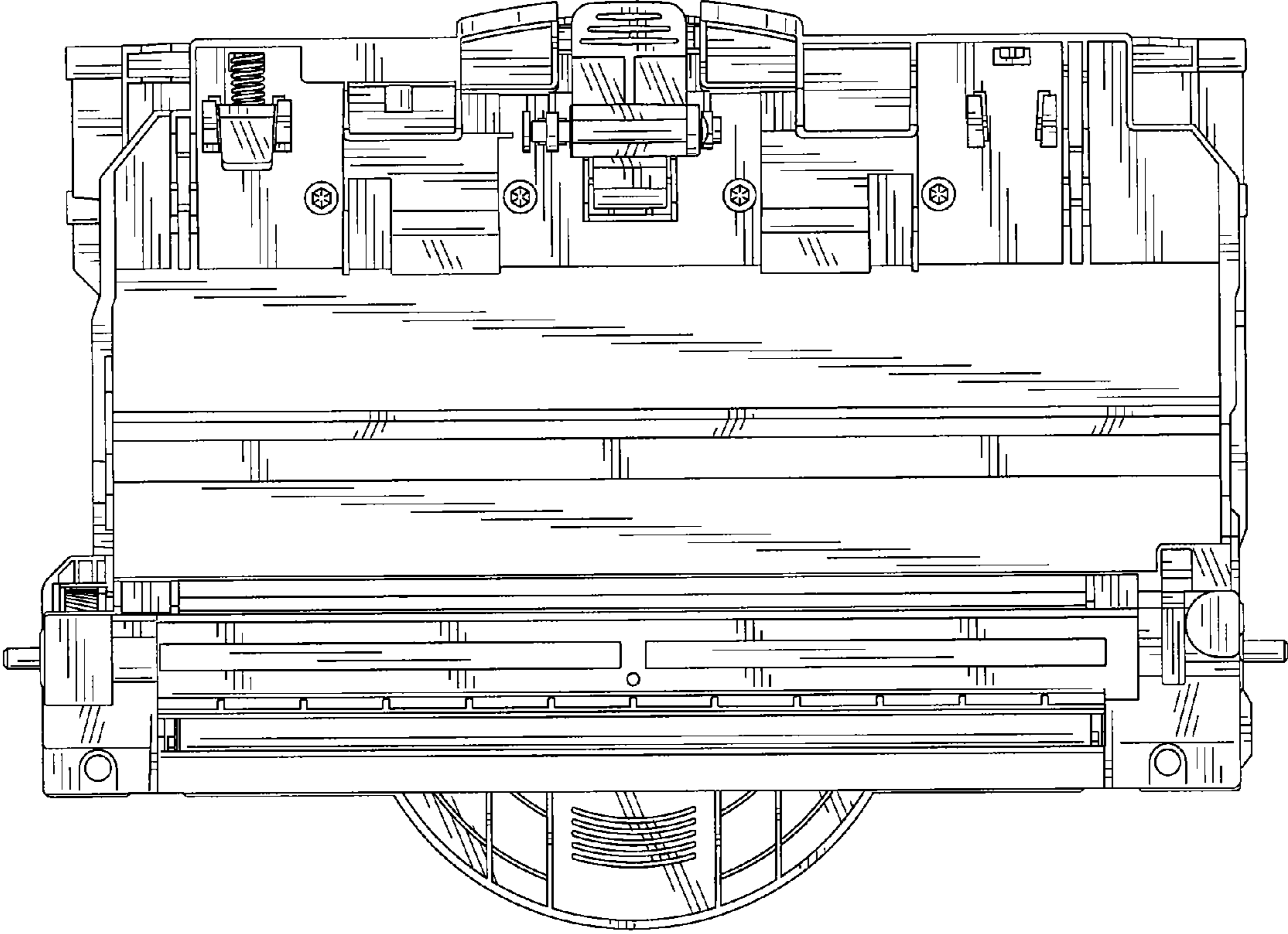


FIG.8

