



US00D619642S

(12) **United States Design Patent**
Kurenuma et al.

(10) **Patent No.:** **US D619,642 S**

(45) **Date of Patent:** **** *Jul. 13, 2010**

(54) **TONER CARTRIDGE HOLDER**

(75) Inventors: **Takeroh Kurenuma**, Kanagawa (JP);
Nobuyuki Taguchi, Kanagawa (JP);
Masayuki Yamane, Kanagawa (JP);
Takayasu Nakao, Tokyo (JP)

(73) Assignee: **Ricoh Company, Ltd.**, Tokyo (JP)

(*) Notice: This patent is subject to a terminal disclaimer.

(**) Term: **14 Years**

(21) Appl. No.: **29/269,764**

(22) Filed: **Dec. 8, 2006**

(30) **Foreign Application Priority Data**

Jun. 13, 2006 (JP) 2006-015254

(51) **LOC (9) Cl.** **16-03**

(52) **U.S. Cl.** **D18/43**

(58) **Field of Classification Search** D13/182;
D14/230, 462, 471, 474-477, 481-484; D18/12,
D18/36, 40, 43, 44, 56; 222/DIG. 1; 347/49,
347/214, 222; 399/24-27, 107-111; 400/194,
400/196, 205, 207, 242

See application file for complete search history.

(56) **References Cited**

U.S. PATENT DOCUMENTS

D449,068 S * 10/2001 Miyazawa D18/56
D451,893 S * 12/2001 Robson D13/182
D474,472 S * 5/2003 Maekawa et al. D13/182
D487,430 S * 3/2004 Asaka et al. D13/182
D491,557 S * 6/2004 Iwai et al. D14/230

D500,076 S * 12/2004 Takuwa D18/43
6,882,810 B2 * 4/2005 Karagiannis et al. 399/109
D519,557 S * 4/2006 Sasaki et al. D18/56
D532,037 S * 11/2006 Tsuda et al. D18/43
2002/0025186 A1 * 2/2002 Karakama et al. 399/111
2002/0061205 A1 * 5/2002 Tsuda et al. 399/111

* cited by examiner

Primary Examiner—Caron Veynar

Assistant Examiner—Garth Rademaker

(74) *Attorney, Agent, or Firm*—Dickstein Shapiro LLP

(57) **CLAIM**

The ornamental design for a toner cartridge holder, as shown and described.

DESCRIPTION

FIG. 1 is a front elevation view of a toner cartridge according to the present invention;

FIG. 2 is a rear elevation view thereof;

FIG. 3 is a top plan view thereof;

FIG. 4 is a bottom plan view thereof;

FIG. 5 is a right side elevation view thereof;

FIG. 6 is a left side elevation view thereof;

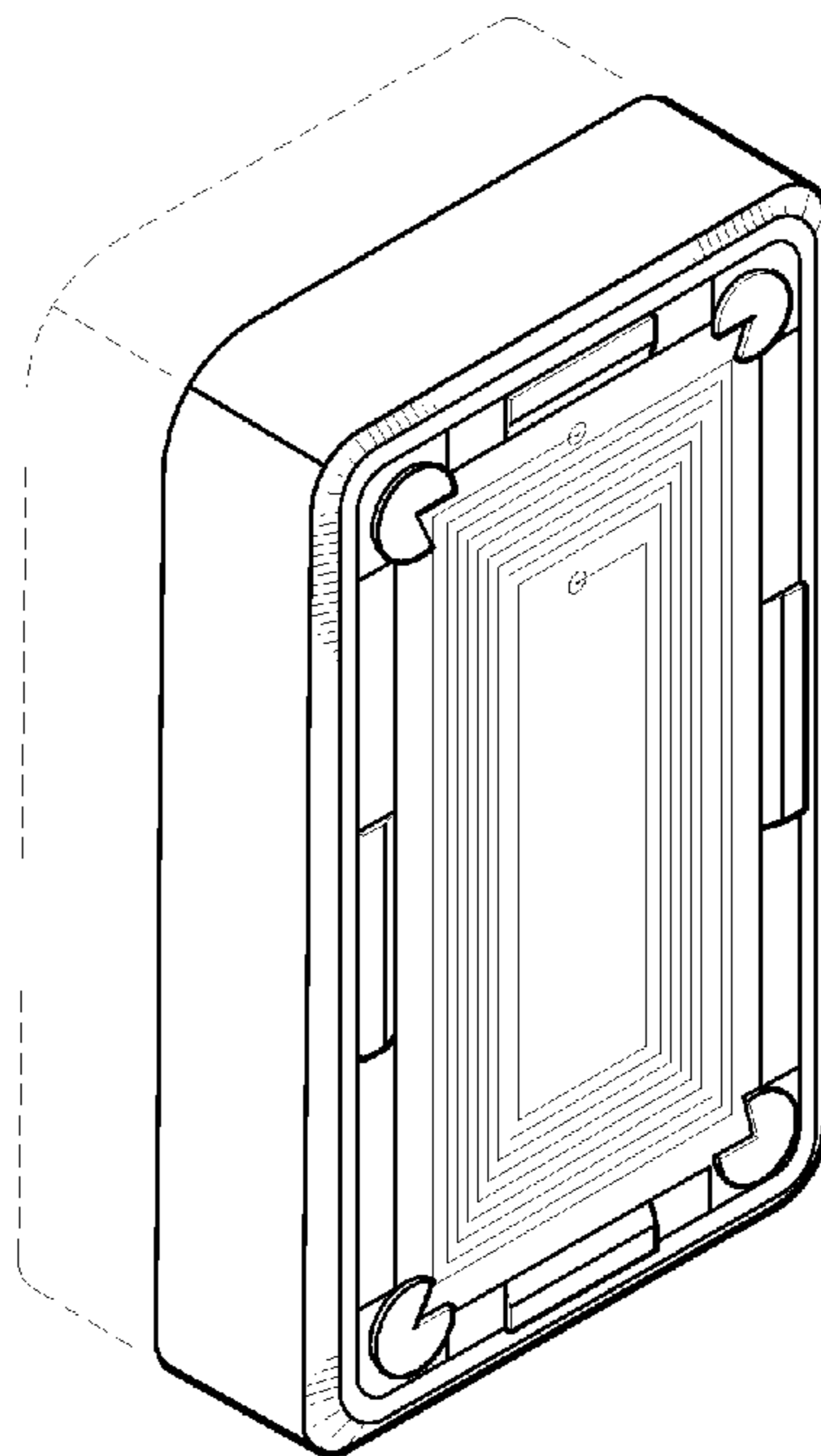
FIG. 7 is a top, front and right side perspective view thereof;

FIG. 8 is a right side elevation view thereof, shown at an enlarged scale; and,

FIG. 9 is a top, front and right side perspective view thereof, shown at an enlarged scale.

The broken lines in each of the Figures are directed to the environment and are for illustrative purposes only. The broken lines form no part of the claimed invention.

1 Claim, 5 Drawing Sheets



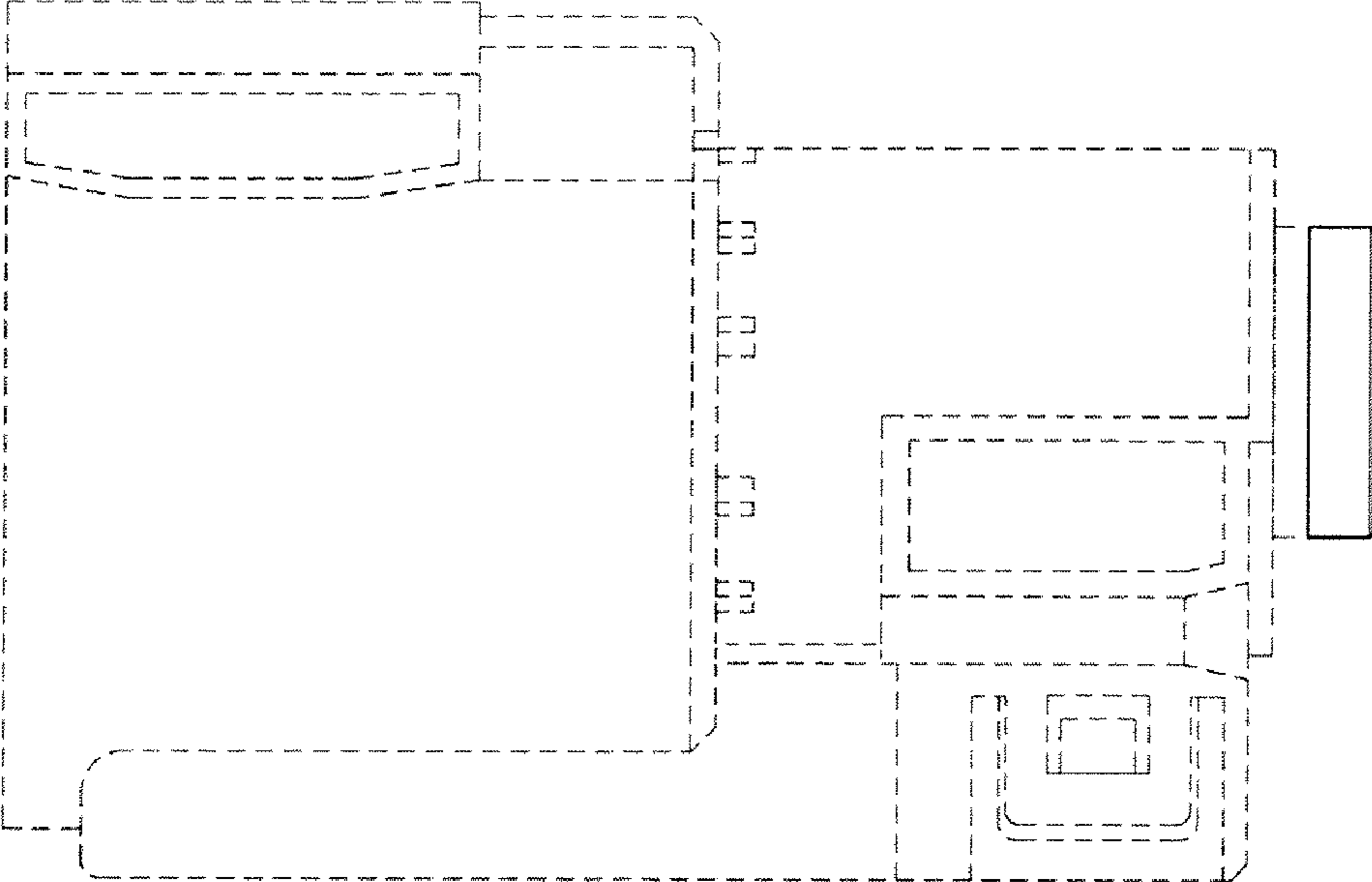


FIG. 1

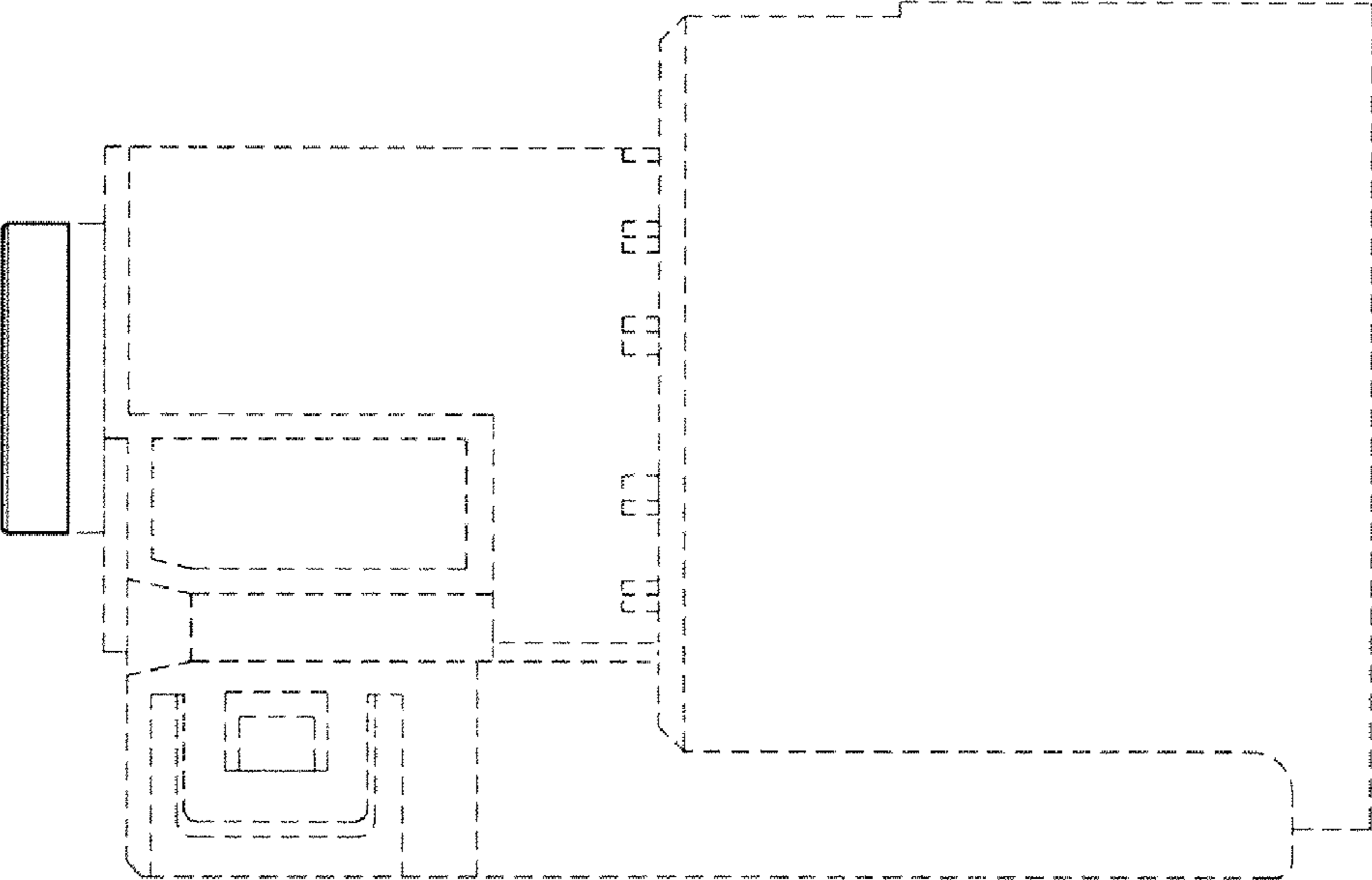


FIG. 2

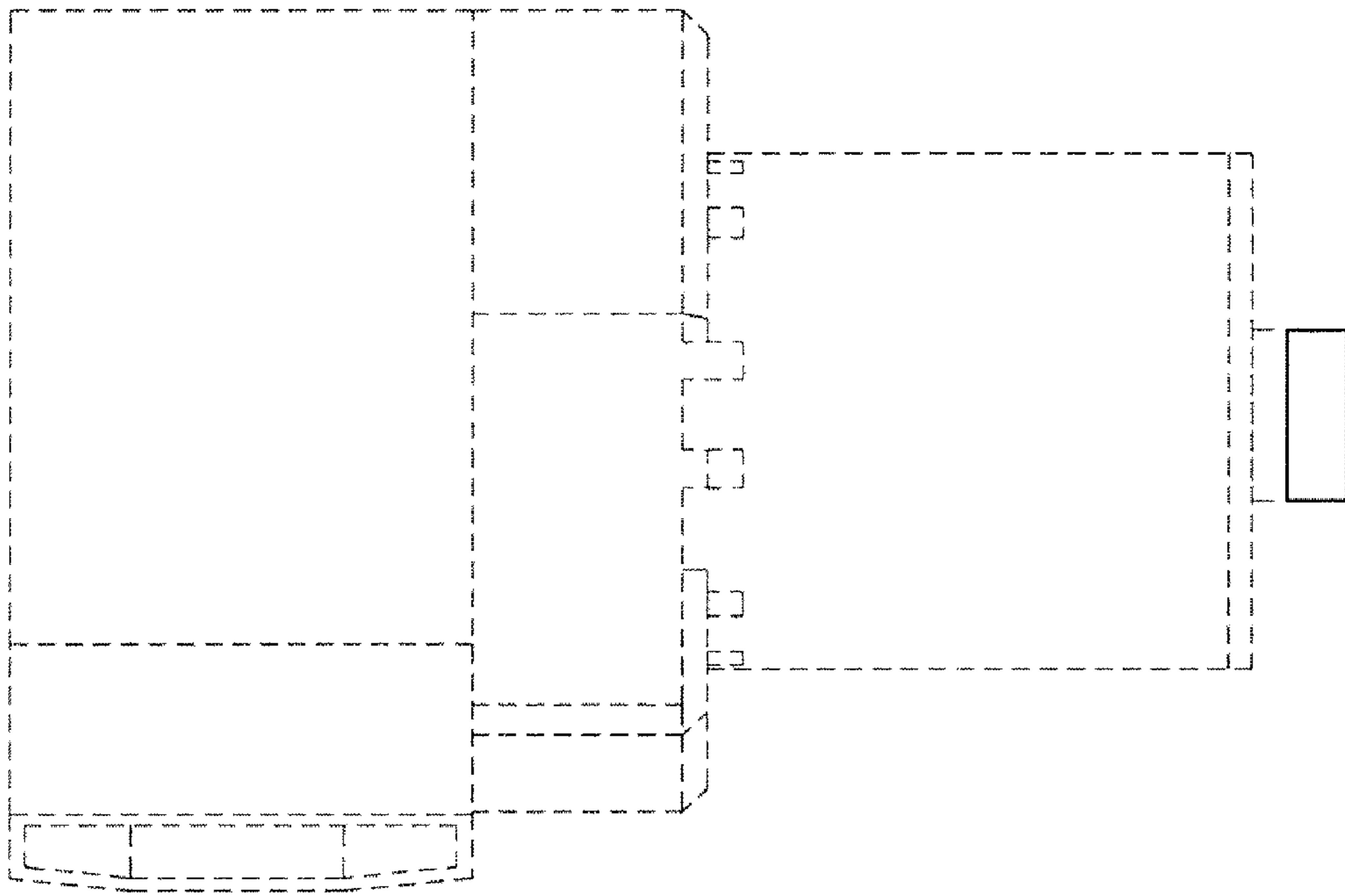


FIG. 3

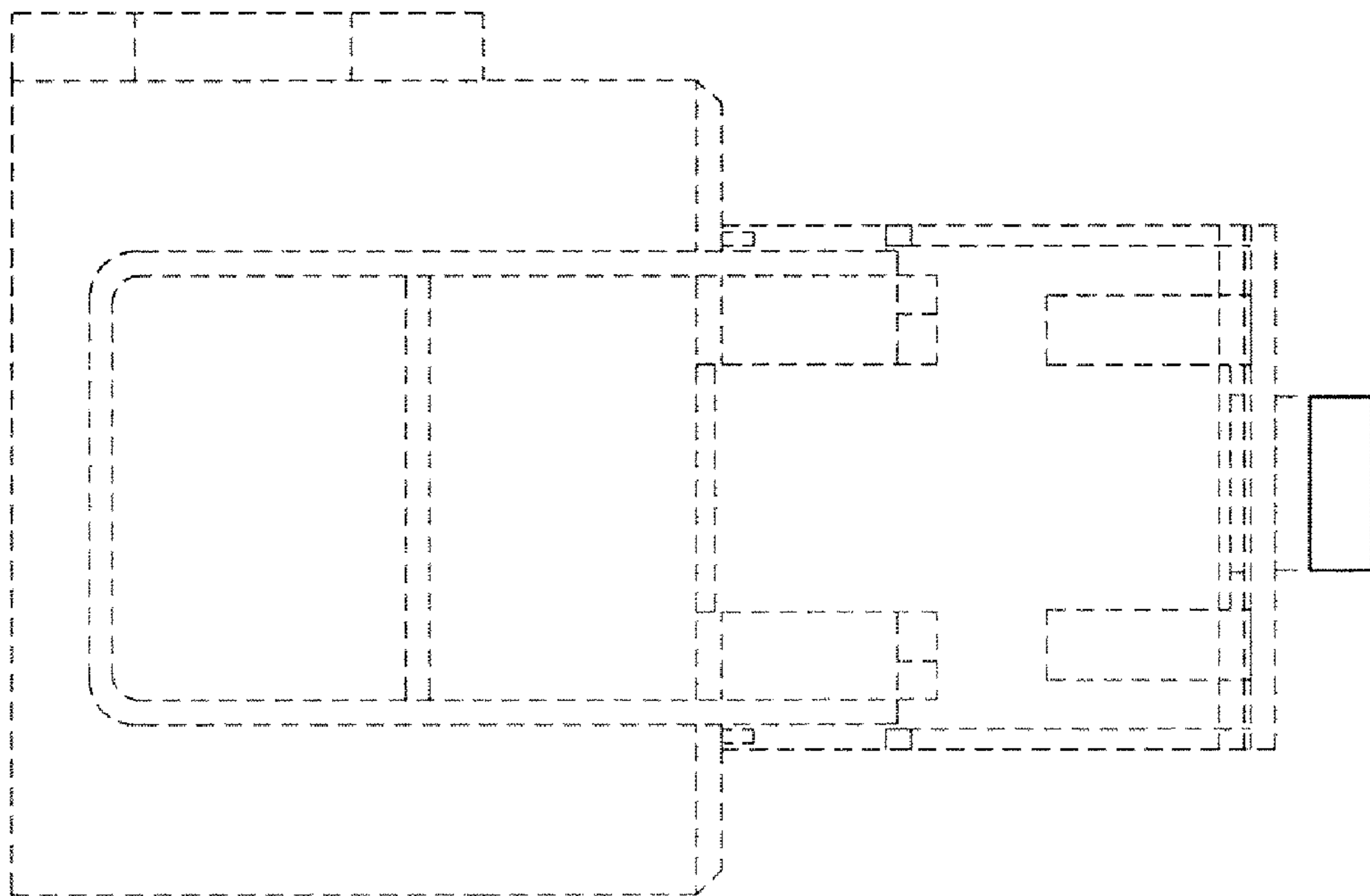


FIG. 4

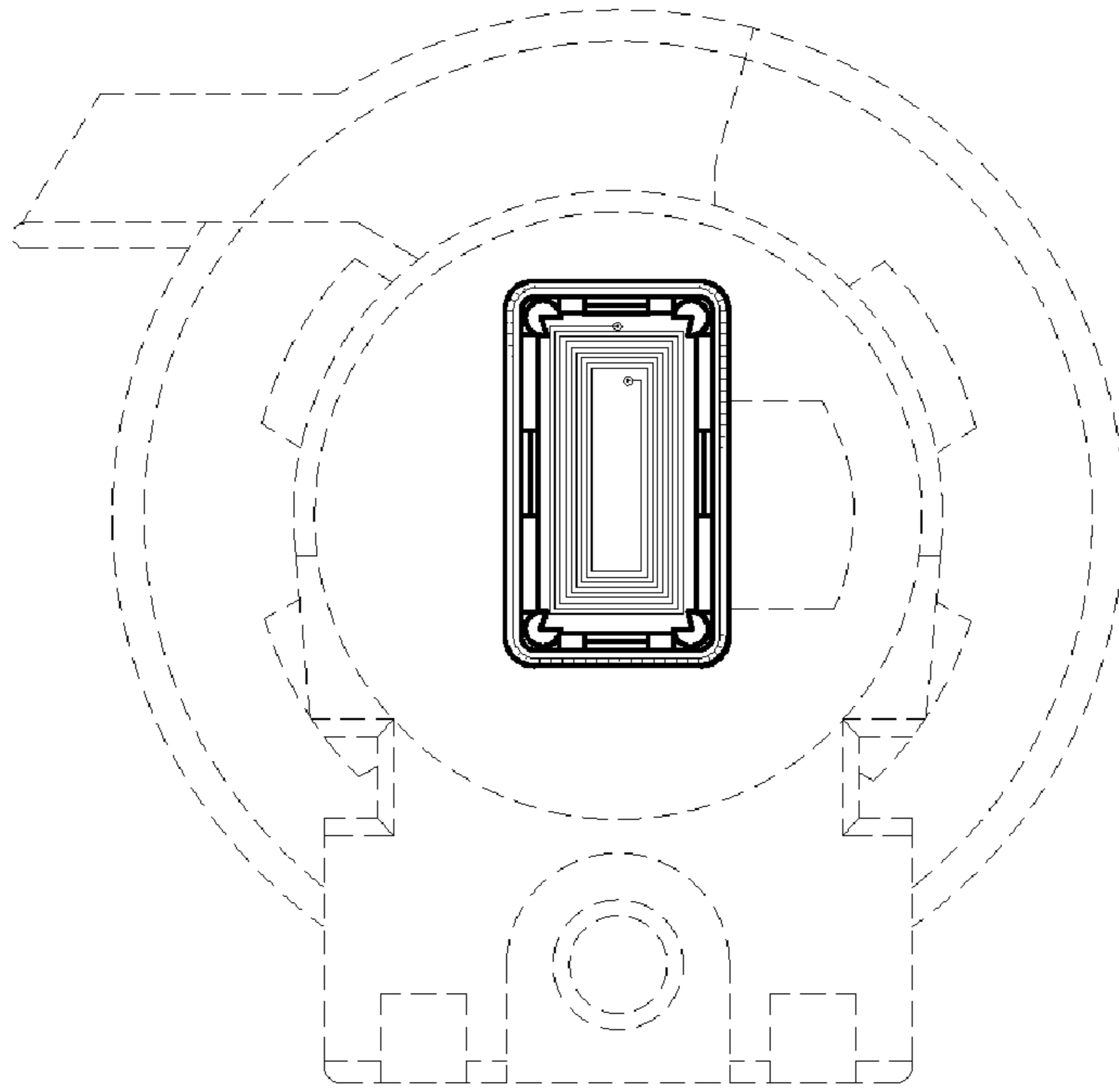


FIG. 5

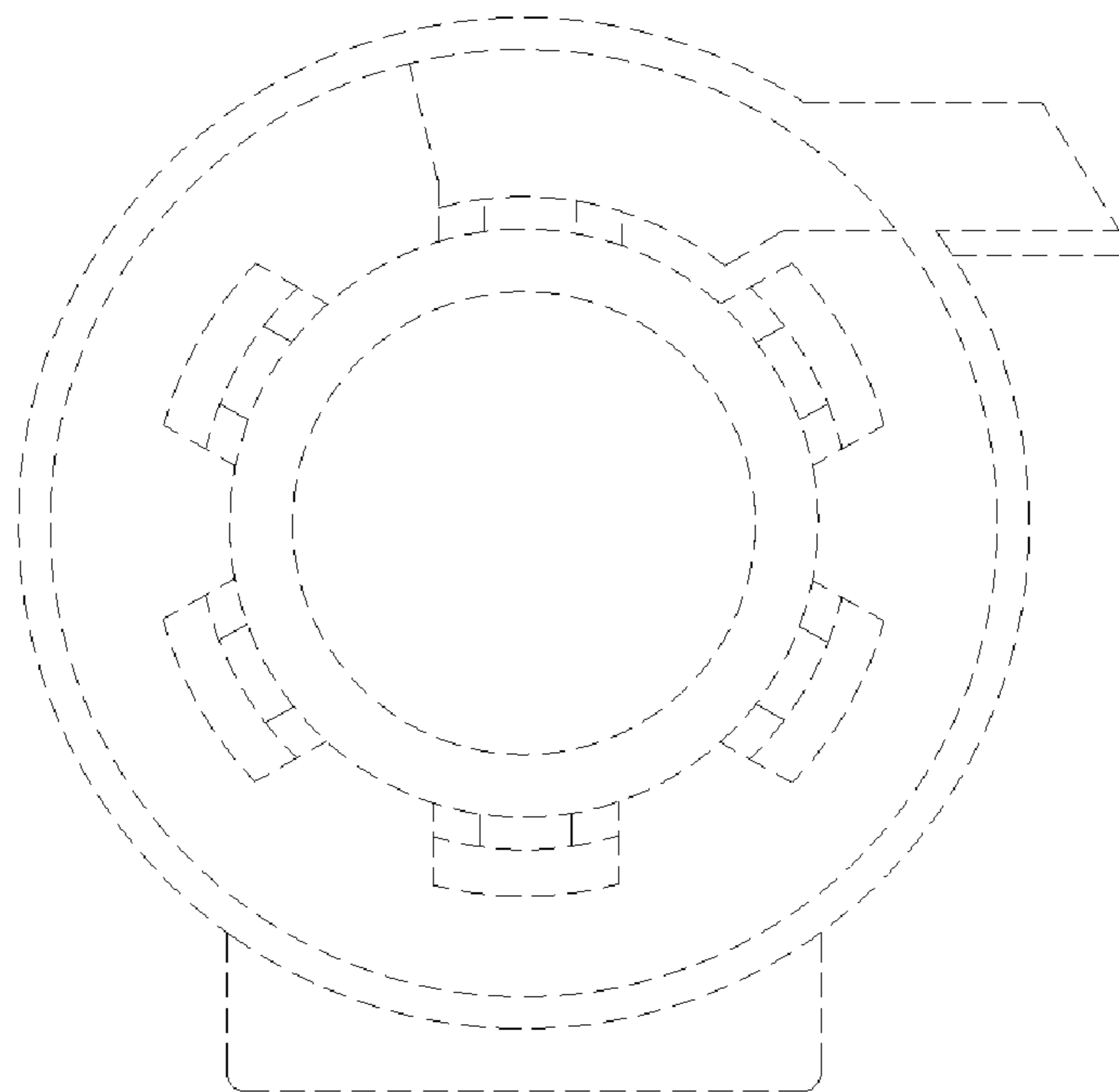


FIG. 6

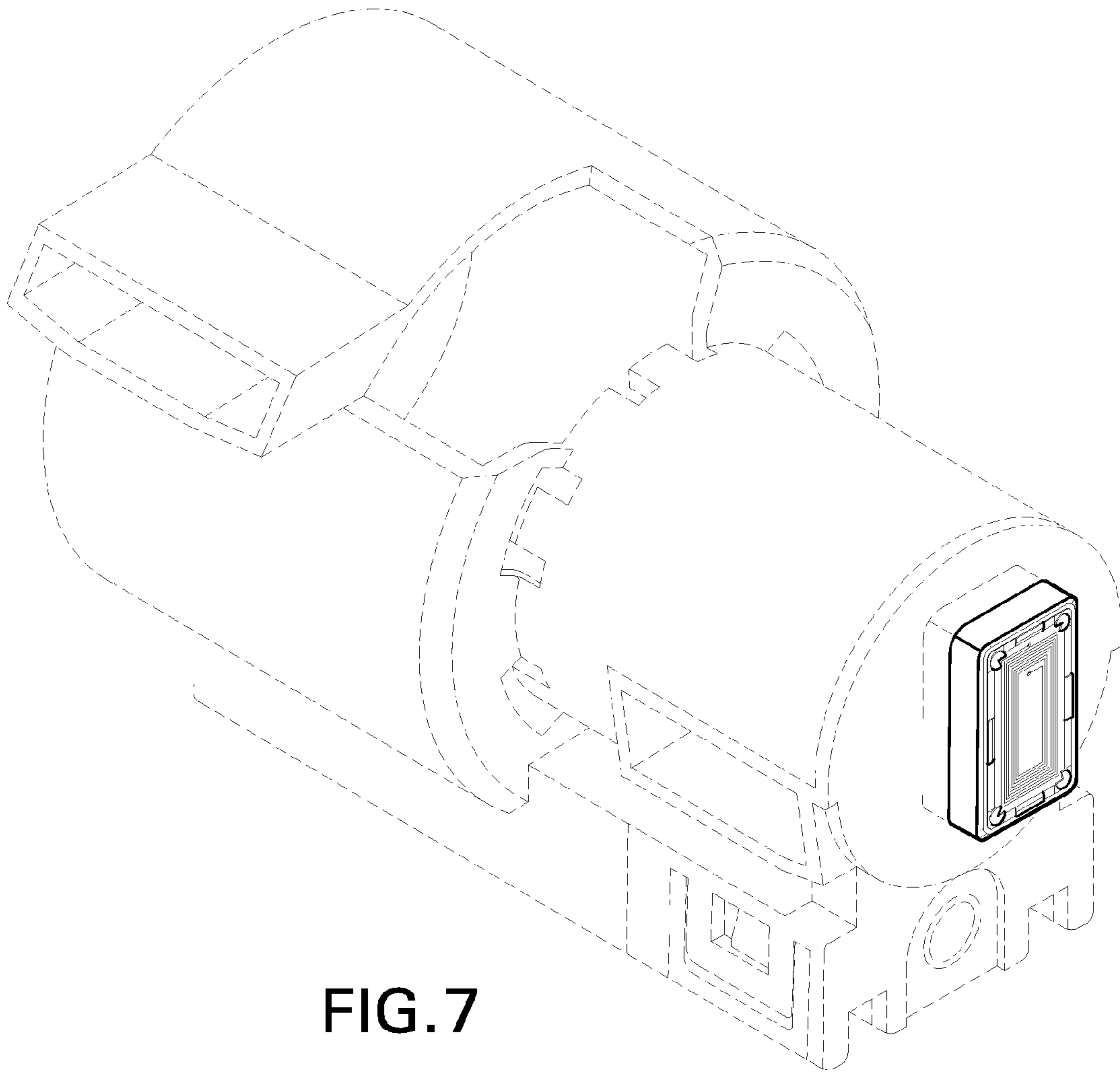


FIG. 7

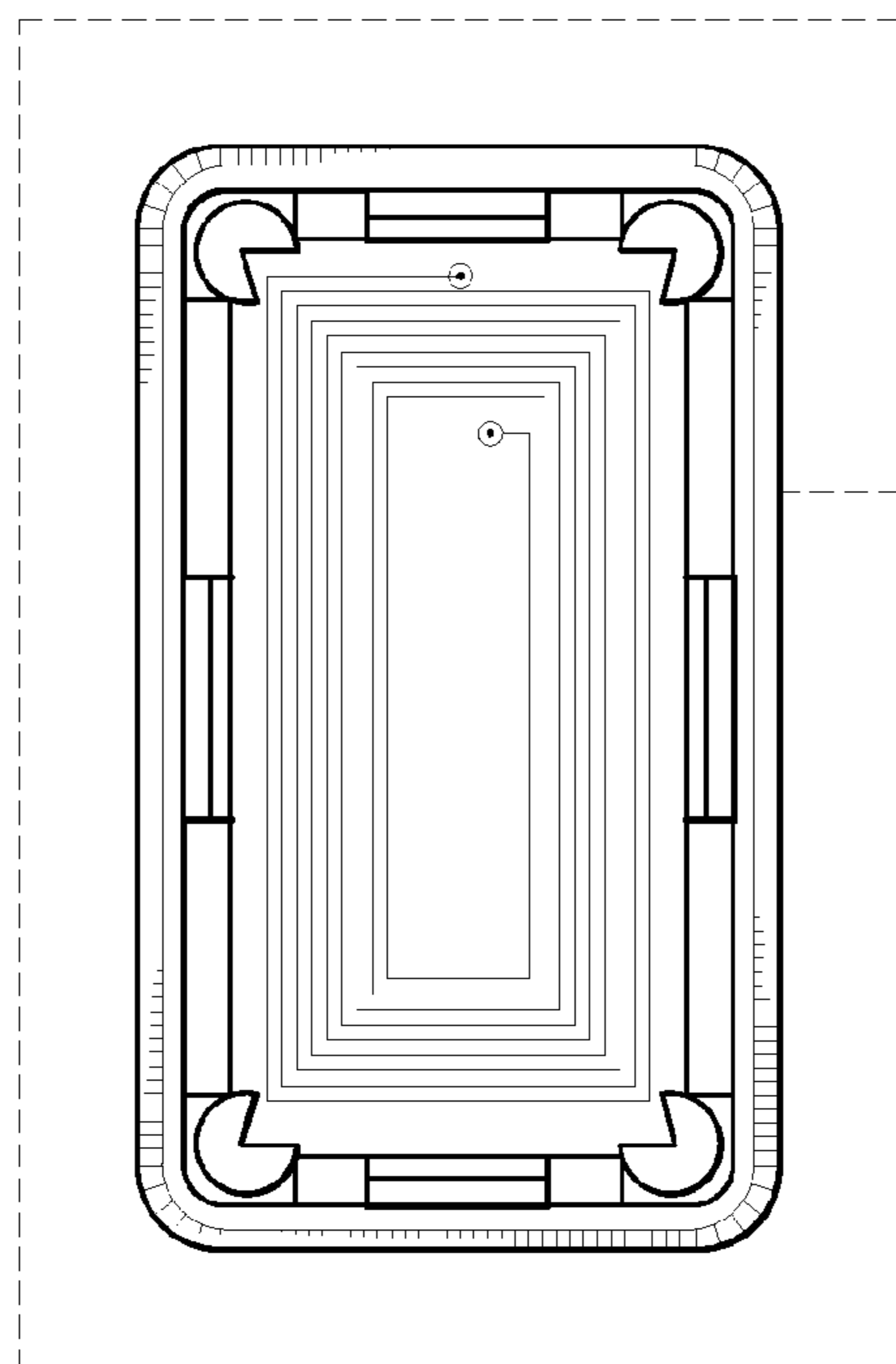


FIG. 8

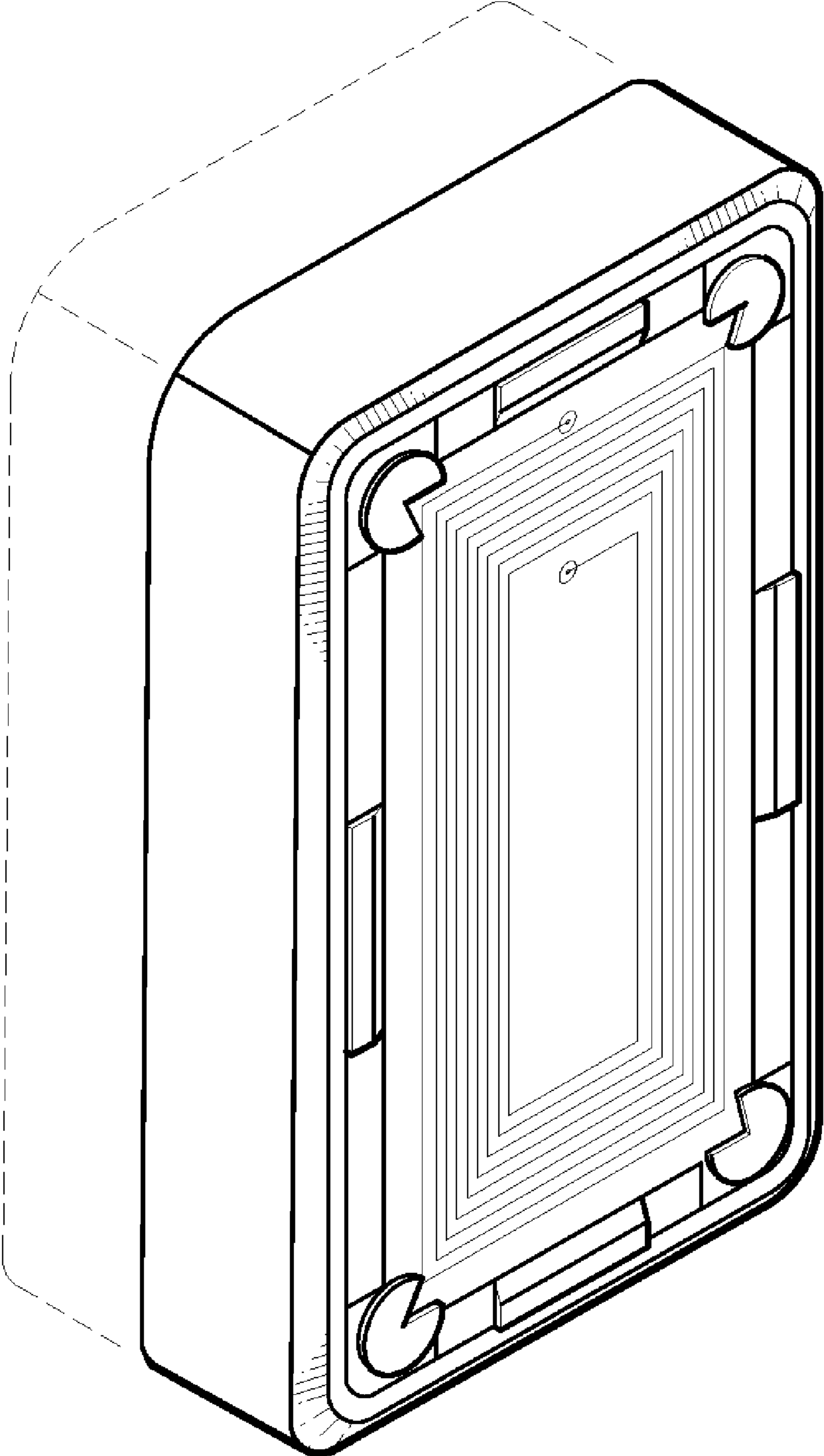


FIG. 9